



US00D754894S

(12) **United States Design Patent**
Wheel

(10) **Patent No.:** **US D754,894 S**

(45) **Date of Patent:** **** Apr. 26, 2016**

(54) **VEHICLE COMPONENT**

(71) Applicant: **Jaguar Land Rover Limited**, Coventry (GB)

(72) Inventor: **Andrew Wheel**, Coventry (GB)

(73) Assignee: **Jaguar Land Rover Limited** (GB)

(**) Term: **14 Years**

(21) Appl. No.: **29/512,857**

(22) Filed: **Dec. 23, 2014**

Related U.S. Application Data

(63) Continuation-in-part of application No. 29/463,211, filed on Sep. 6, 2013, now Pat. No. Des. 740,975, and a continuation-in-part of application No. 29/463,208, filed on Sep. 6, 2013, now Pat. No. Des. 748,828.

Foreign Application Priority Data

Mar. 8, 2013 (EM) 002199075
Mar. 8, 2013 (EM) 002199216
Jun. 24, 2014 (EM) 002489187

(51) **LOC (10) Cl.** **26-06**

(52) **U.S. Cl.**
USPC **D26/28**

(58) **Field of Classification Search**
USPC D26/28-36; 362/459-468, 475-478, 362/485-487

CPC F21S 48/00; F21S 48/10; F21S 48/115; F21S 48/1233; F21S 48/1266; F21S 48/1388; F21S 48/2268; F21V 21/04

See application file for complete search history.

(56) **References Cited**

U.S. PATENT DOCUMENTS

D614,784 S *	4/2010	Lamm	D26/28
D630,352 S *	1/2011	Jeong	D26/28
D630,778 S *	1/2011	Park	D26/28
D635,698 S *	4/2011	Jeong	D26/28
D637,743 S *	5/2011	Cho	D26/28
D652,550 S *	1/2012	Cho	D26/28
D664,691 S *	7/2012	Kim	D26/28
D674,942 S *	1/2013	Frenzel	D26/28
D683,058 S *	5/2013	Cogswell	D26/28
D701,983 S *	4/2014	Kong	D26/28
D705,969 S *	5/2014	Park	D26/28

* cited by examiner

Primary Examiner — Marcus Jackson

(74) *Attorney, Agent, or Firm* — Fishman Stewart PLLC

(57) **CLAIM**

The ornamental design for a vehicle component, as shown and described.

DESCRIPTION

FIG. 1 is an inboard left side perspective view of a vehicle component;

FIG. 2 is an outboard left side perspective view of a vehicle component;

FIG. 3 is an inboard left side view of a vehicle component;

FIG. 4 is an outboard left side view of a vehicle component;

FIG. 5 is a front view of a vehicle component;

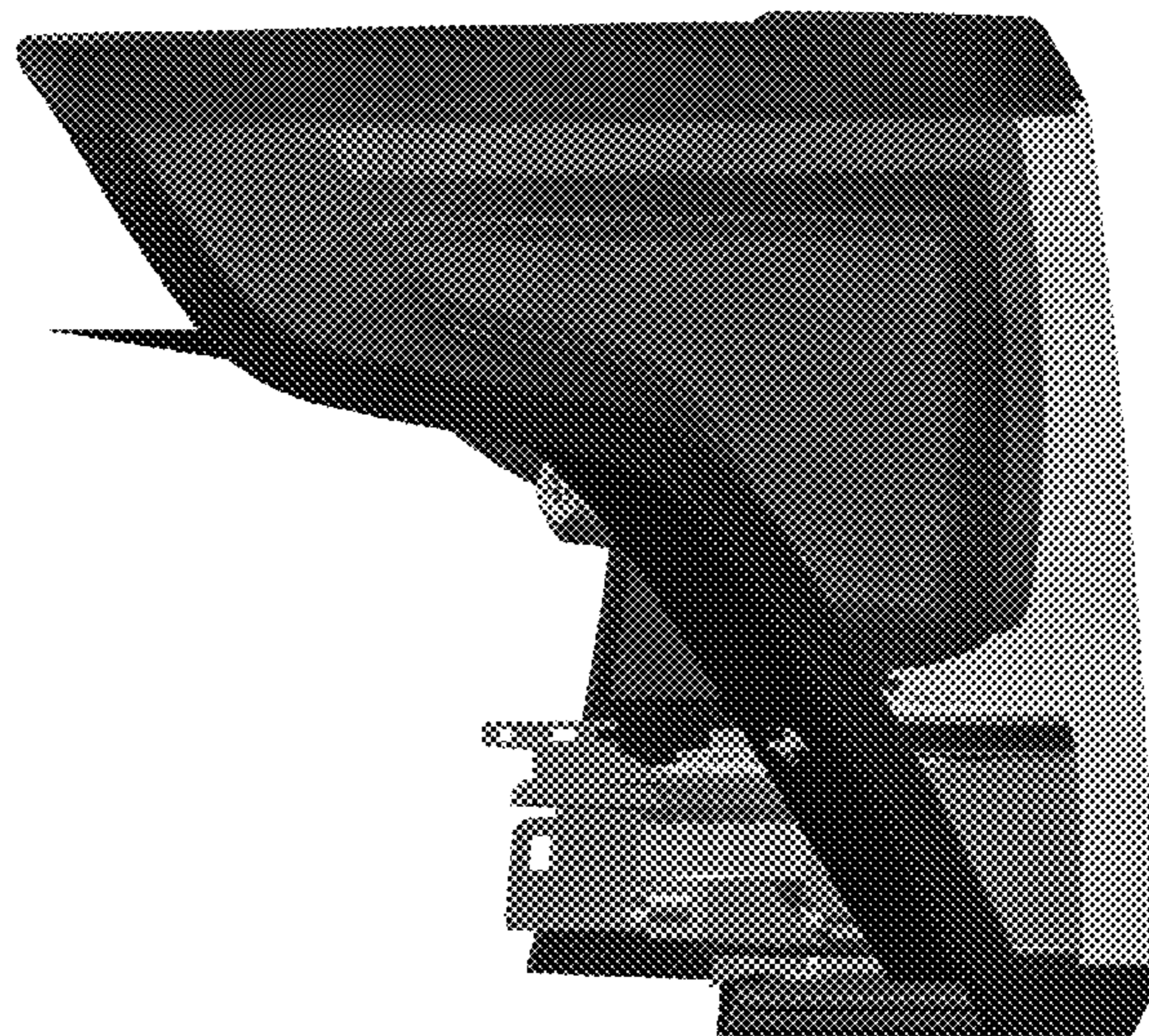
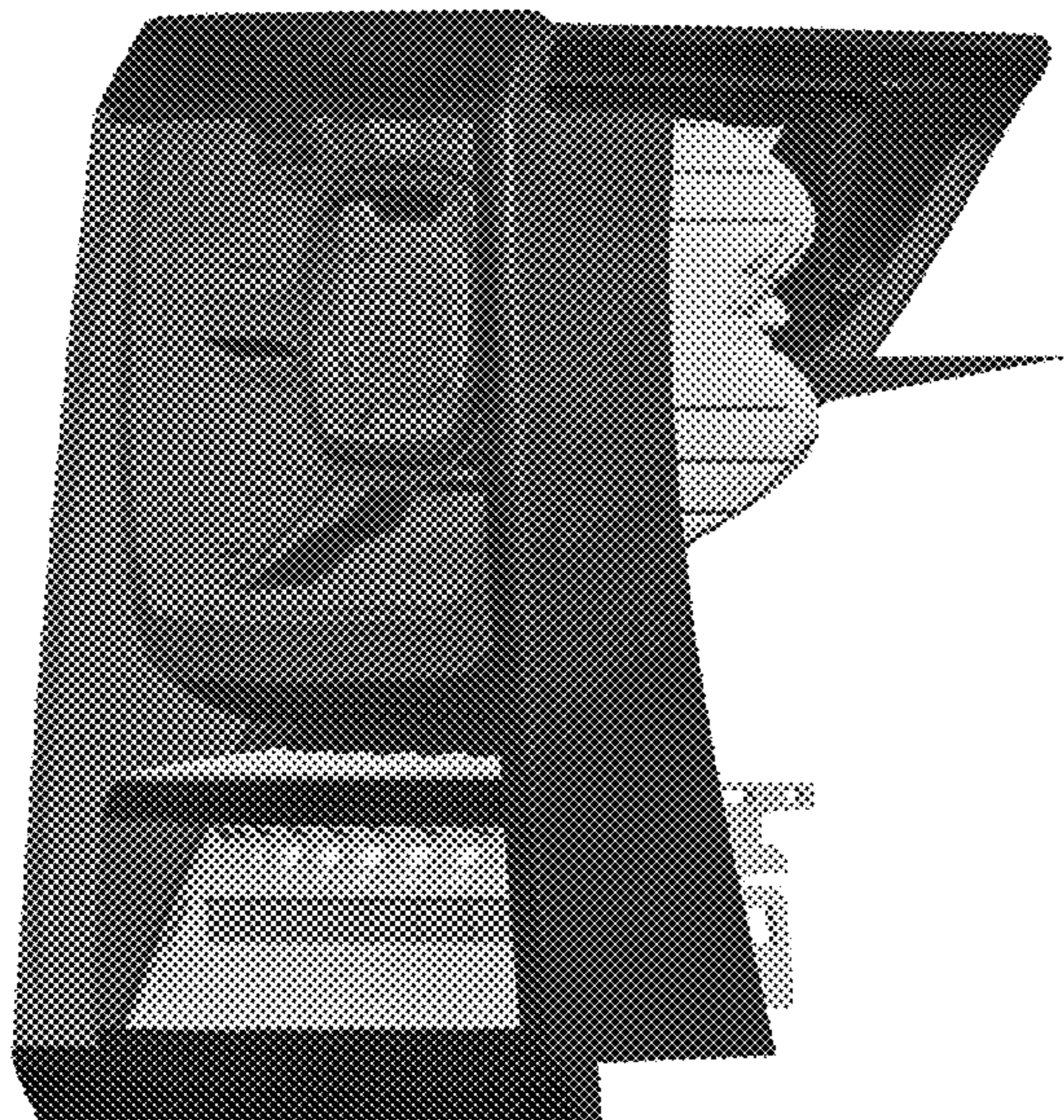
FIG. 6 is a rear view of a vehicle component;

FIG. 7 is a top view of a vehicle component; and,

FIG. 8 is supplemental rear perspective view of a vehicle component in the installed position on a vehicle.

Portions of FIG. 8 that is shown in halftone is for illustrative purpose only and form no part of the claimed design.

1 Claim, 5 Drawing Sheets



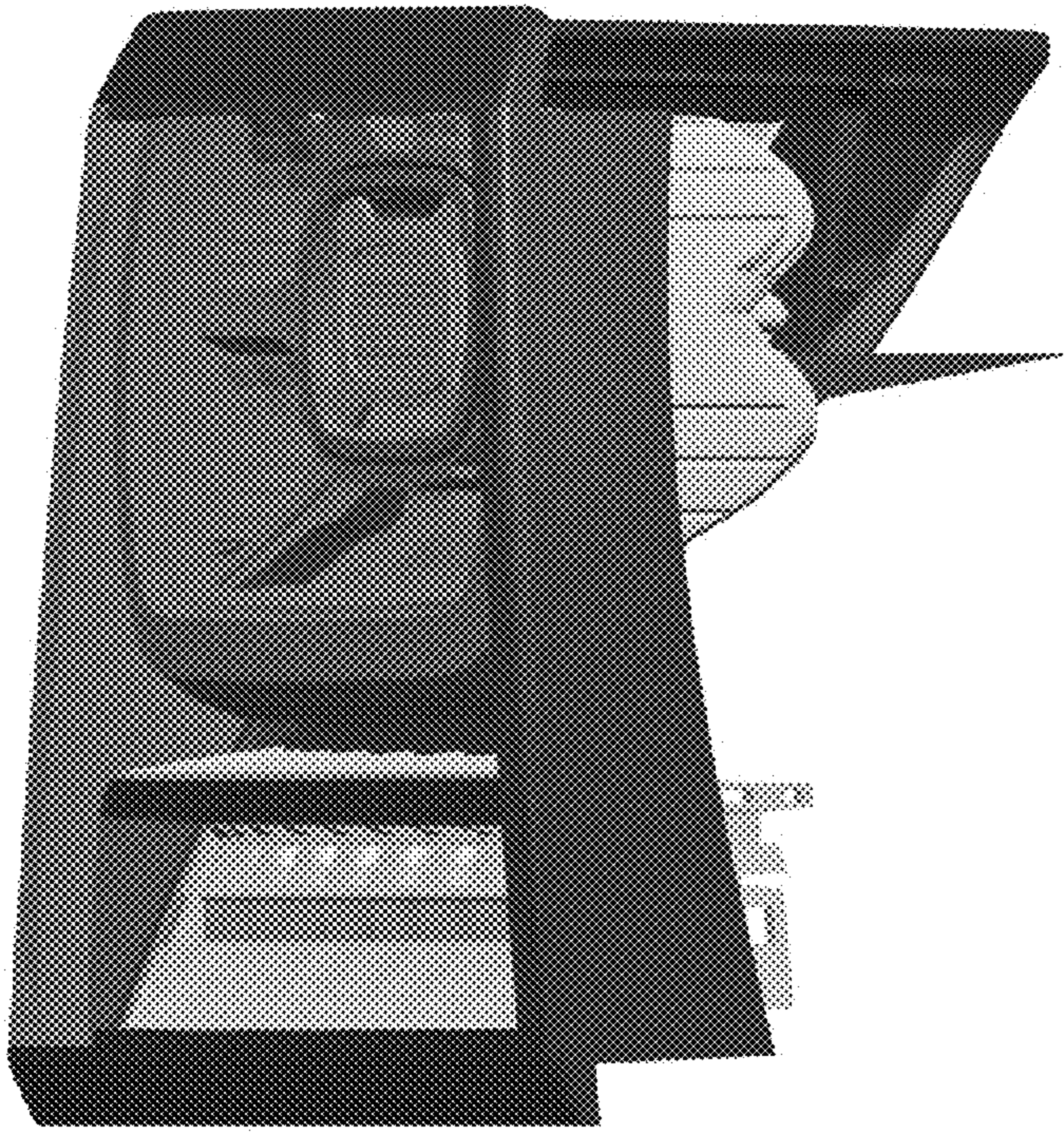


FIG. 1

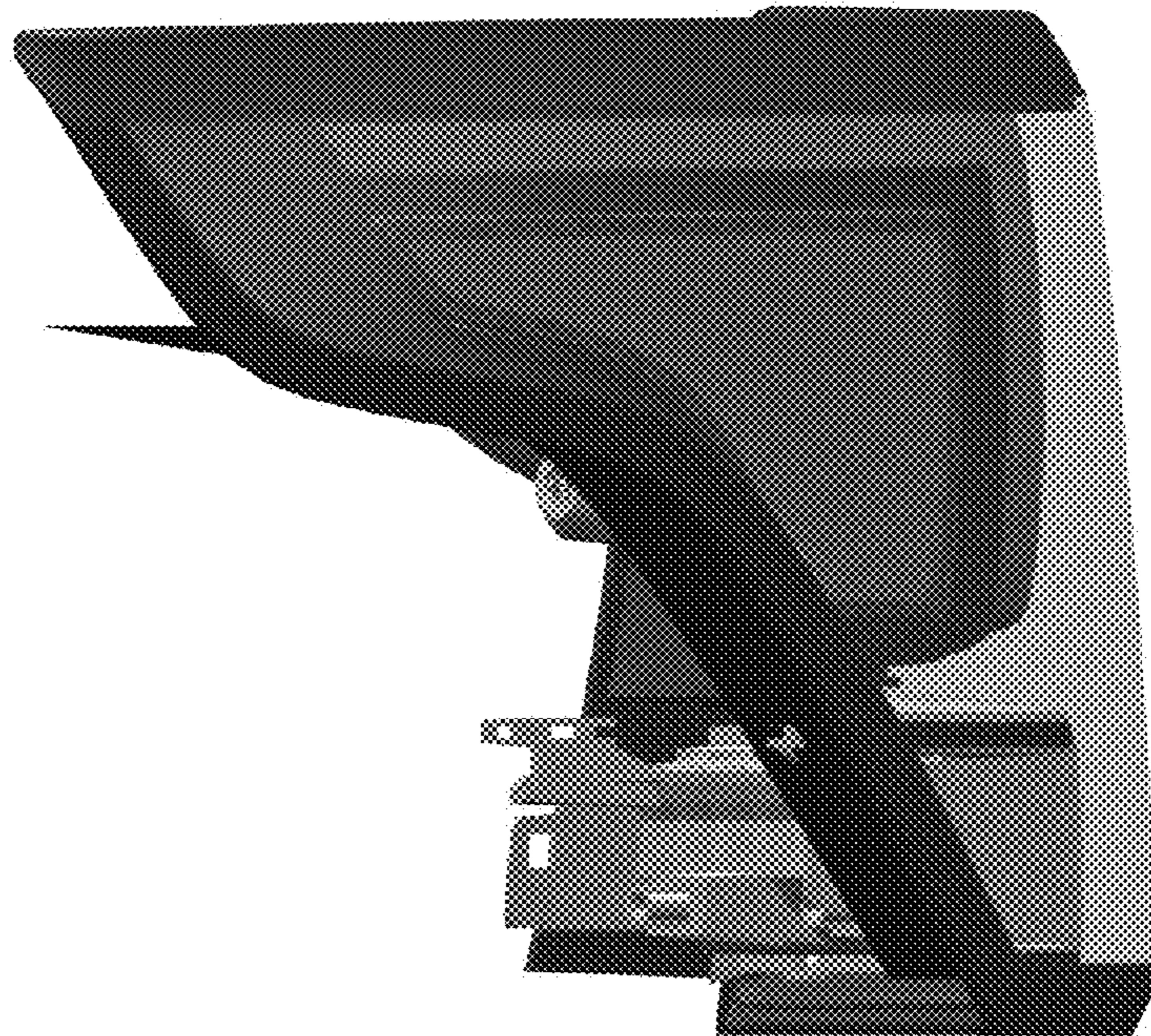


FIG. 2

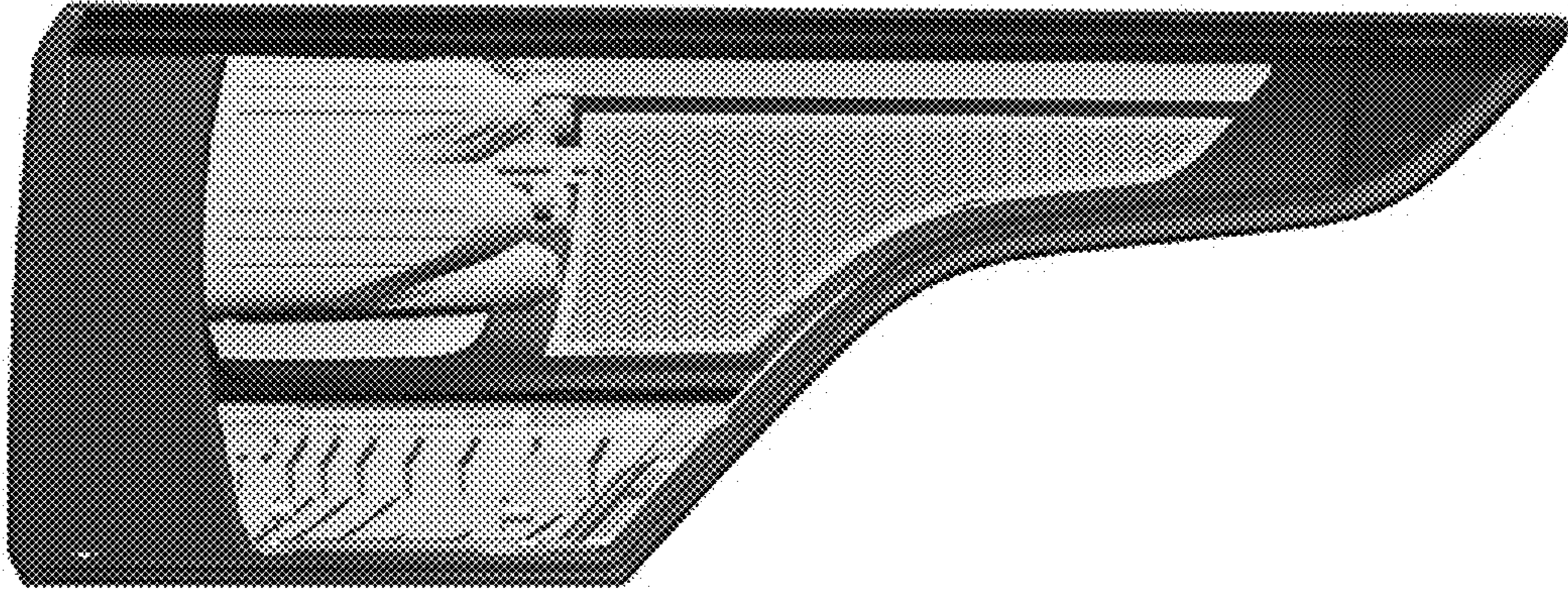


FIG. 3

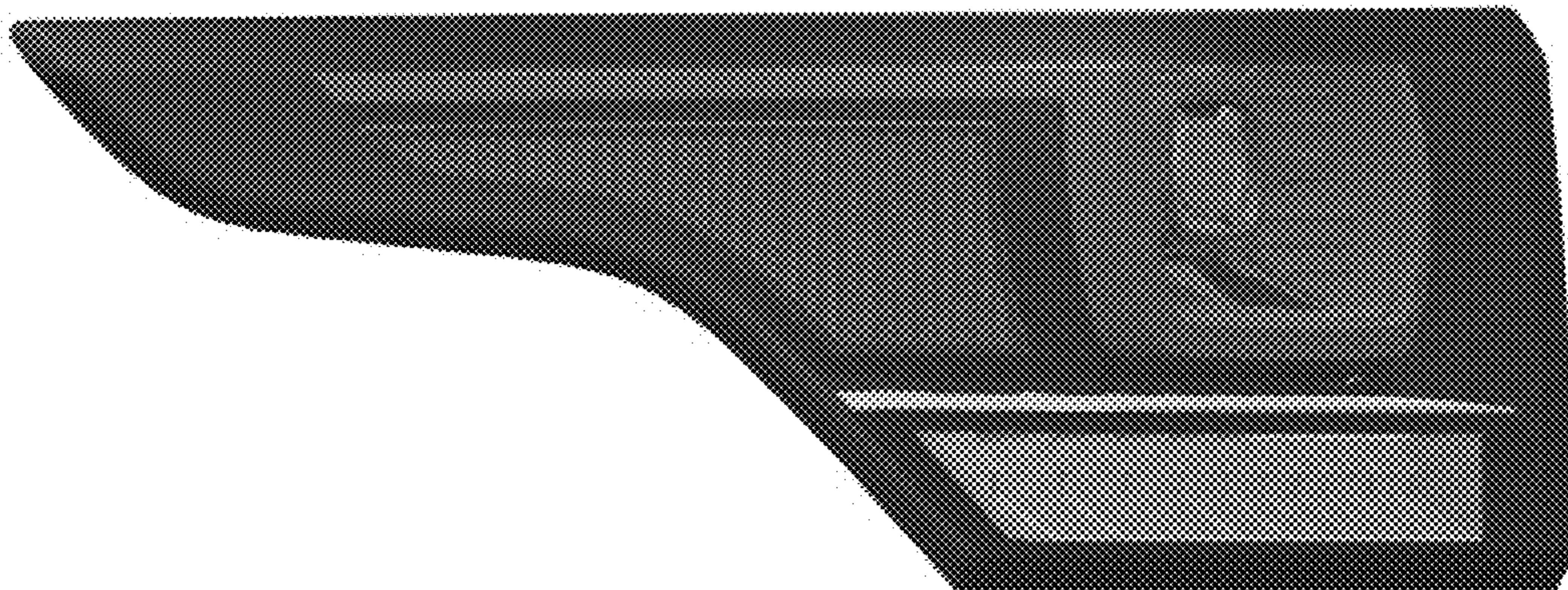


FIG. 4

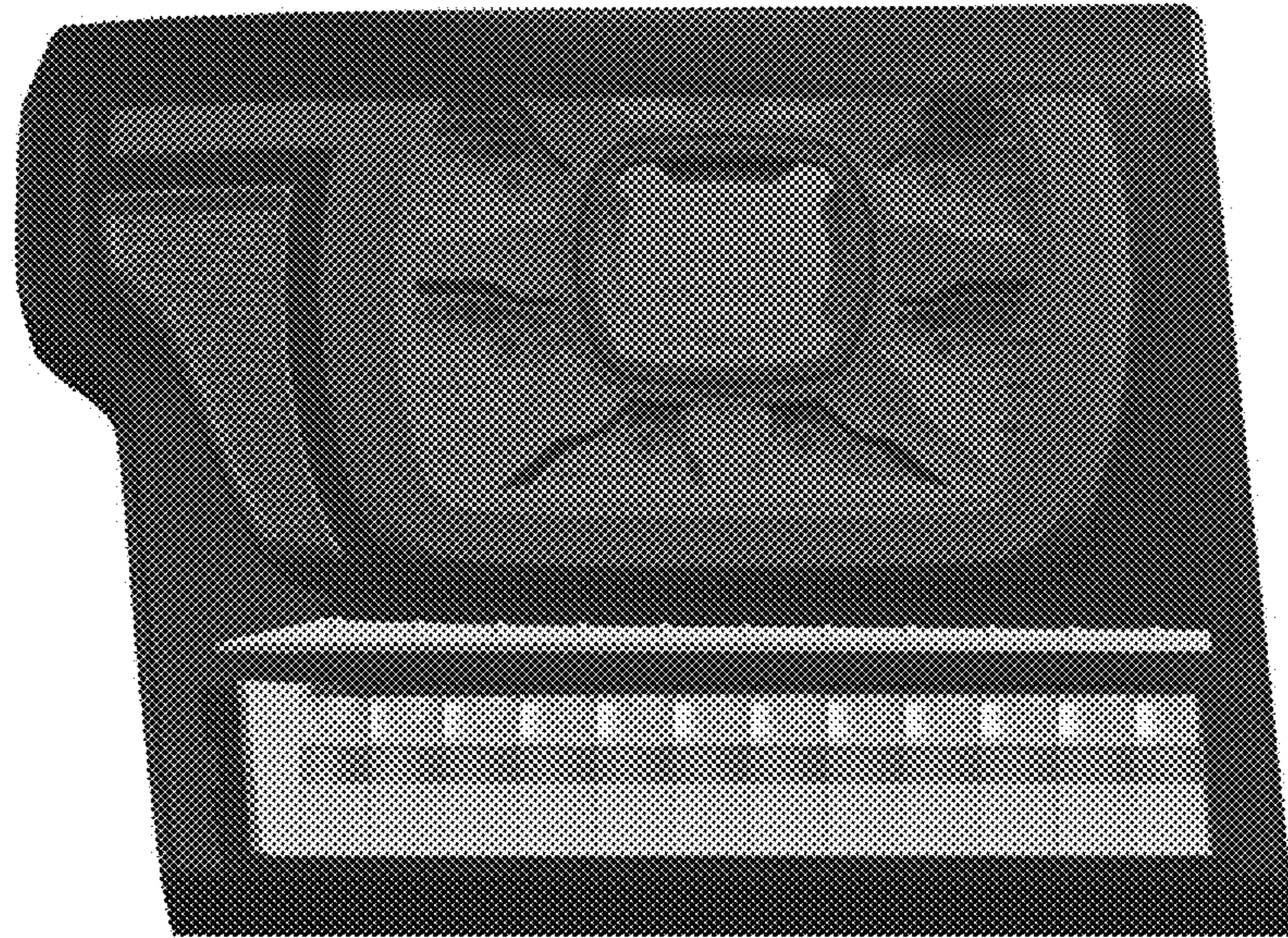


FIG. 5

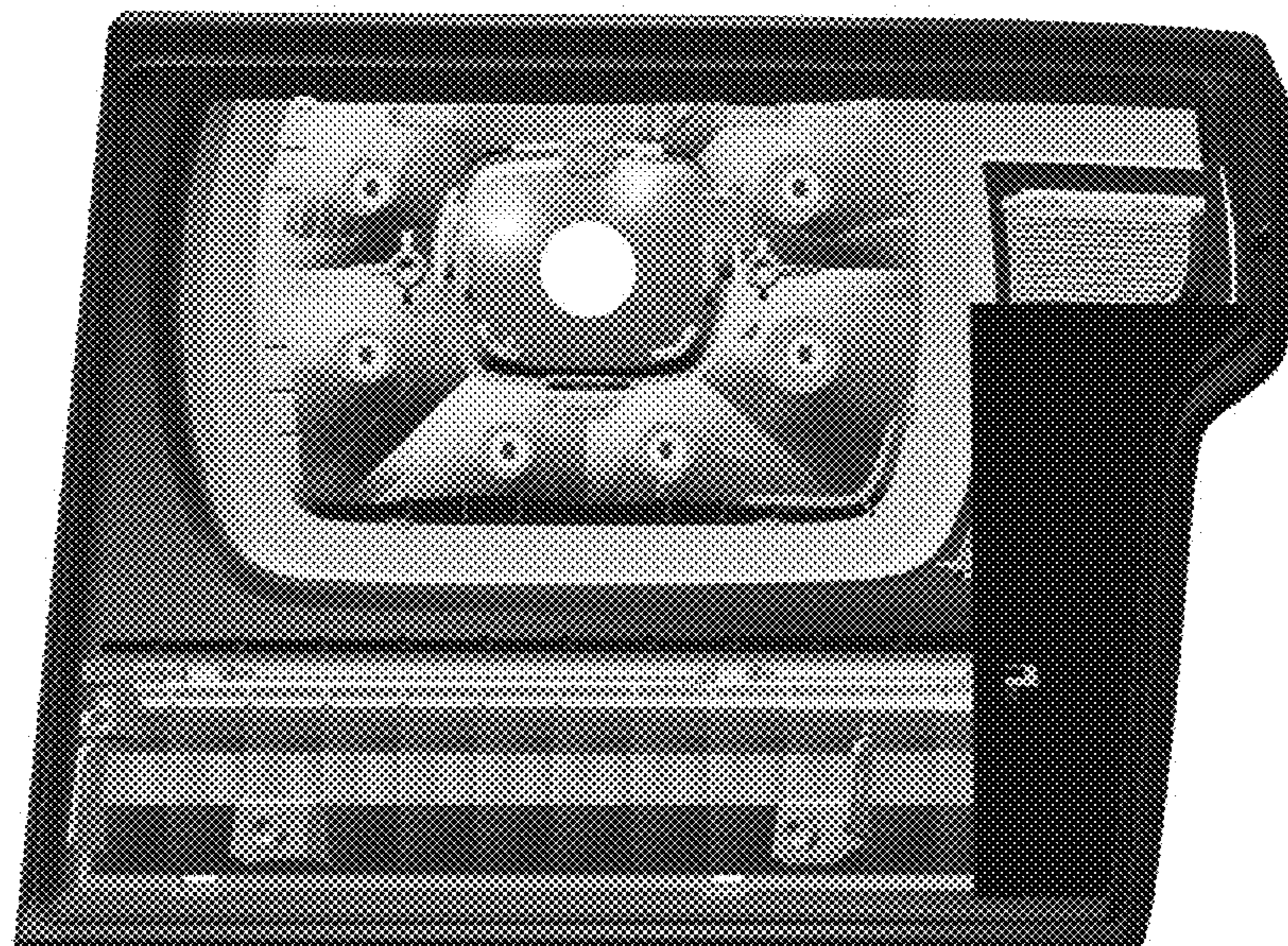


FIG. 6

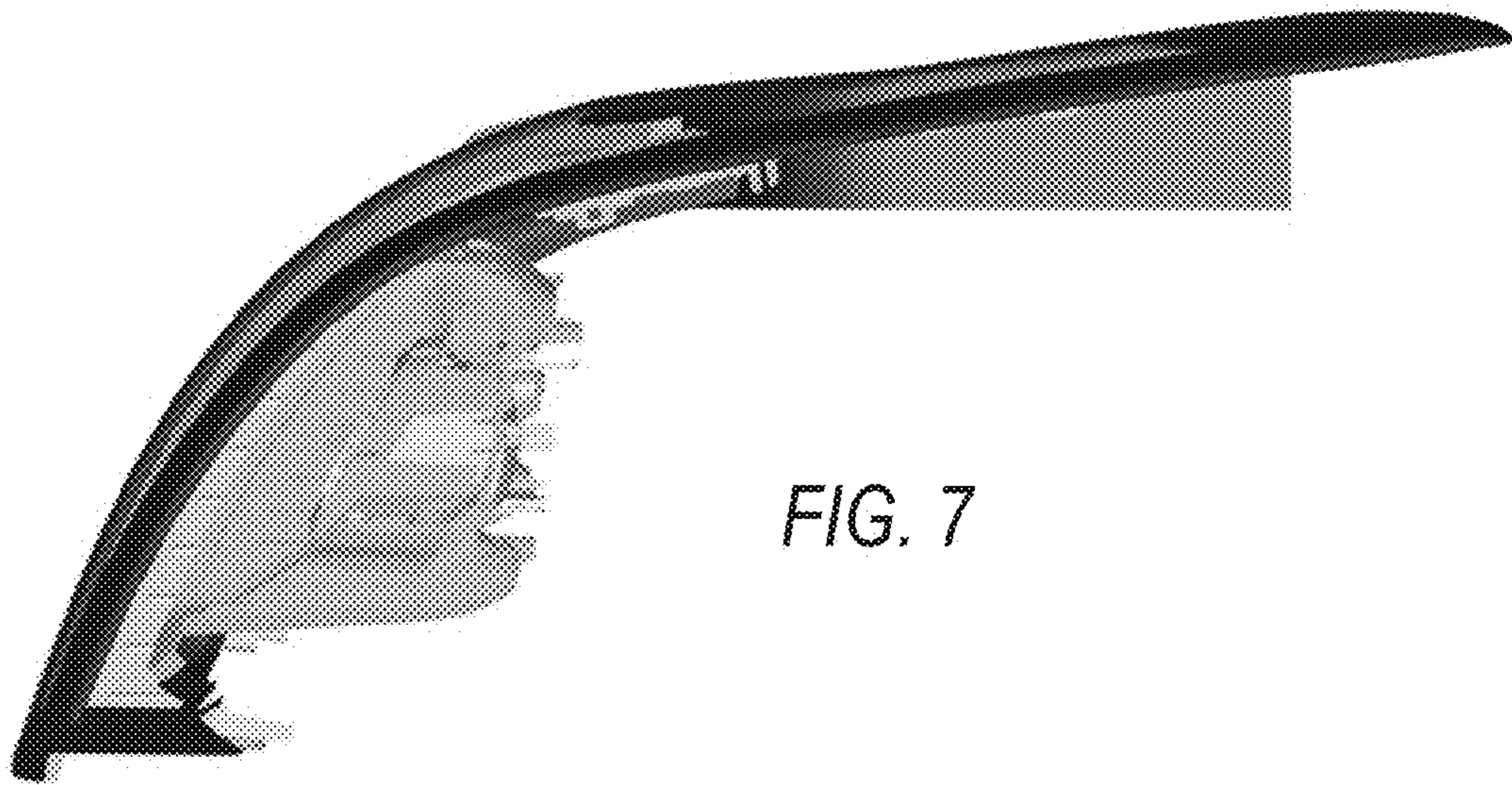


FIG. 7



FIG. 8