



US00D754893S

(12) **United States Design Patent**
Luke et al.

(10) **Patent No.:** **US D754,893 S**
(45) **Date of Patent:** **** Apr. 26, 2016**

- (54) **TAIL LAMP FOR A VEHICLE**
- (71) Applicant: **Gogoro Inc.**, Hong Kong (HK)
- (72) Inventors: **Hok-Sum Horace Luke**, Mercer Island, WA (US); **Chien-Chih Weng**, New Taipei (TW); **Hsin-Wen Su**, Taipei (TW); **Song-Fu Wang**, Taipei (TW)
- (73) Assignee: **GOGORO INC.**, Hong Kong (CN)
- (**) Term: **14 Years**
- (21) Appl. No.: **29/506,652**
- (22) Filed: **Oct. 17, 2014**
- (51) **LOC (10) Cl.** **26-06**
- (52) **U.S. Cl.**
USPC **D26/28**
- (58) **Field of Classification Search**
USPC D26/28-36; 362/459-468, 475-478, 362/485-487
CPC F21S 48/00; F21S 48/10; F21S 48/115; F21S 48/1233; F21S 48/1266; F21S 48/1388; F21S 48/2268; F21V 21/04
See application file for complete search history.

(56) **References Cited**

U.S. PATENT DOCUMENTS

- D568,501 S * 5/2008 Nakazawa D26/28
- D569,015 S * 5/2008 Tsukui D26/28

(Continued)

FOREIGN PATENT DOCUMENTS

- TW D114554 12/2006
- TW D141327 7/2011

OTHER PUBLICATIONS

Taiwanese Office Action with English Translation dated Jun. 11, 2015, for corresponding TW Application No. 103306726, 6 pages.

Primary Examiner — Marcus Jackson

(74) *Attorney, Agent, or Firm* — Seed IP Law Group PLLC

(57) **CLAIM**

The ornamental design for a tail lamp for a vehicle, as shown and described.

DESCRIPTION

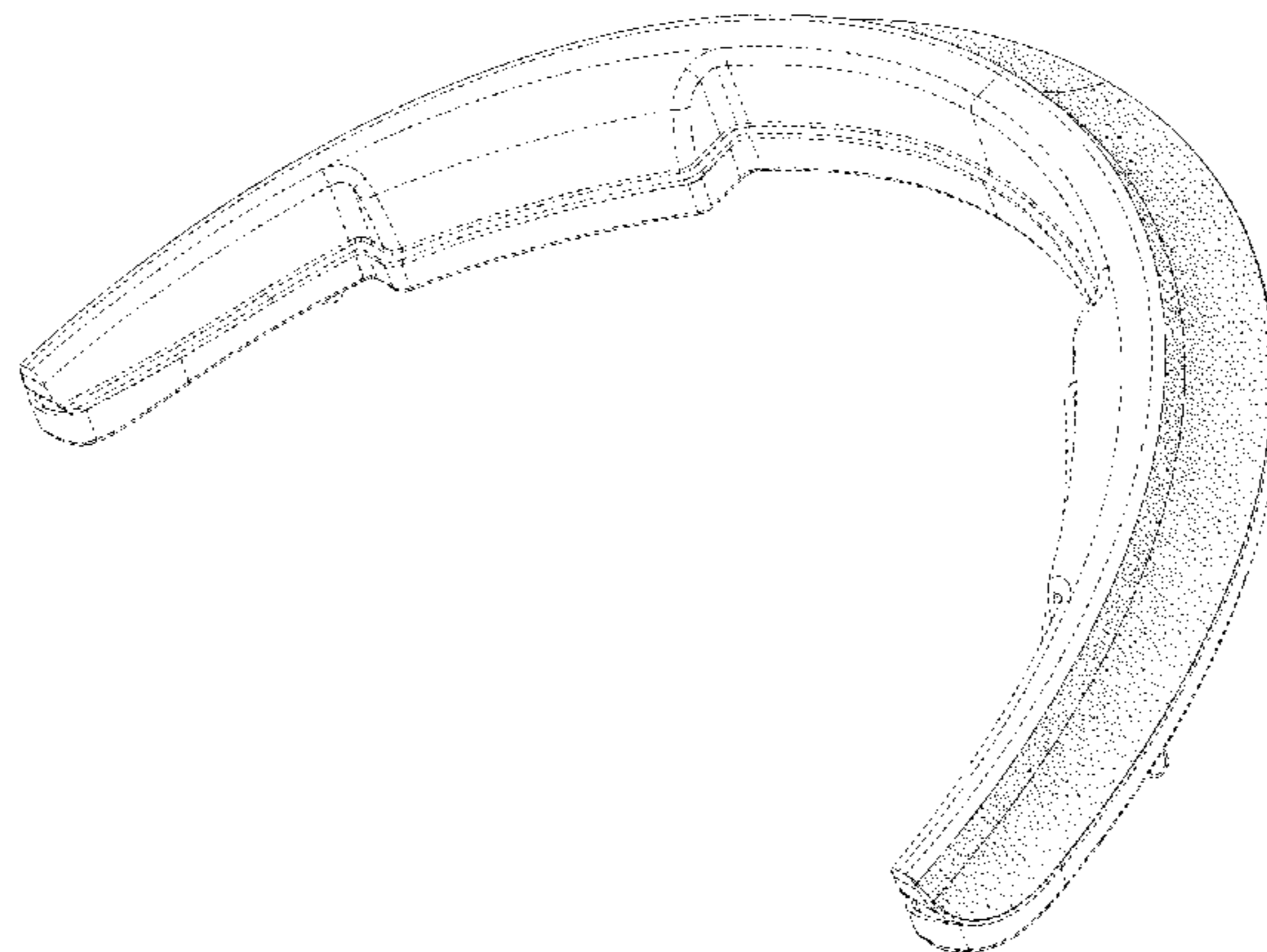
FIG. 1 is a front perspective view of a first embodiment of a tail lamp for a vehicle showing our new design.
 FIG. 2 is a rear and bottom perspective view thereof.
 FIG. 3 is a front elevational view thereof.
 FIG. 4 is a rear elevational view thereof.
 FIG. 5 is a left side elevational view thereof.
 FIG. 6 is a right side elevational view thereof.
 FIG. 7 is a top plan view thereof.
 FIG. 8 is a bottom plan view thereof.
 FIG. 9 is a right side elevational view thereof showing environmental structure.
 FIG. 10 is a front perspective view of a second embodiment of a tail lamp for a vehicle showing our new design.
 FIG. 11 is a rear and bottom perspective view thereof.
 FIG. 12 is a front elevational view thereof.
 FIG. 13 is a rear elevational view thereof.
 FIG. 14 is a left side elevational view thereof.
 FIG. 15 is a right side elevational view thereof.
 FIG. 16 is a top plan view thereof.
 FIG. 17 is a bottom plan view thereof; and,
 FIG. 18 is a right side elevational view thereof showing environmental structure.

Stippling and contour lines shown in FIGS. 1-18 are intended to represent approximate three-dimensional contours of the design, and are not intended to indicate surface decoration. The broken lines in FIGS. 1-18 are for the purpose of illustrating environmental structure for the claimed design and form no part of the claimed design.

The stippling shown in FIGS. 1-9 is intended to represent transparent surfaces of the design, and are not intended to indicate surface decoration. The stippling of these same surfaces in FIGS. 10-18 is intended to represent transparent surfaces of the design, and are not intended to indicate surface decoration.

The stippling in FIGS. 10-18 that is not in FIGS. 1-9 is intended to represent translucent surfaces of the design, and are not intended to indicate surface decoration.

1 Claim, 14 Drawing Sheets



US D754,893 S

Page 2

(56)

References Cited

U.S. PATENT DOCUMENTS

D573,734 S *	7/2008	Watanabe	D26/28	
D617,020 S *	6/2010	Ishiguri	D26/28	* cited by examiner
D713,071 S *	9/2014	Namai	D26/28	
D716,977 S *	11/2014	Nishimoto	D26/28	
D717,978 S *	11/2014	Nishimoto	D26/28	

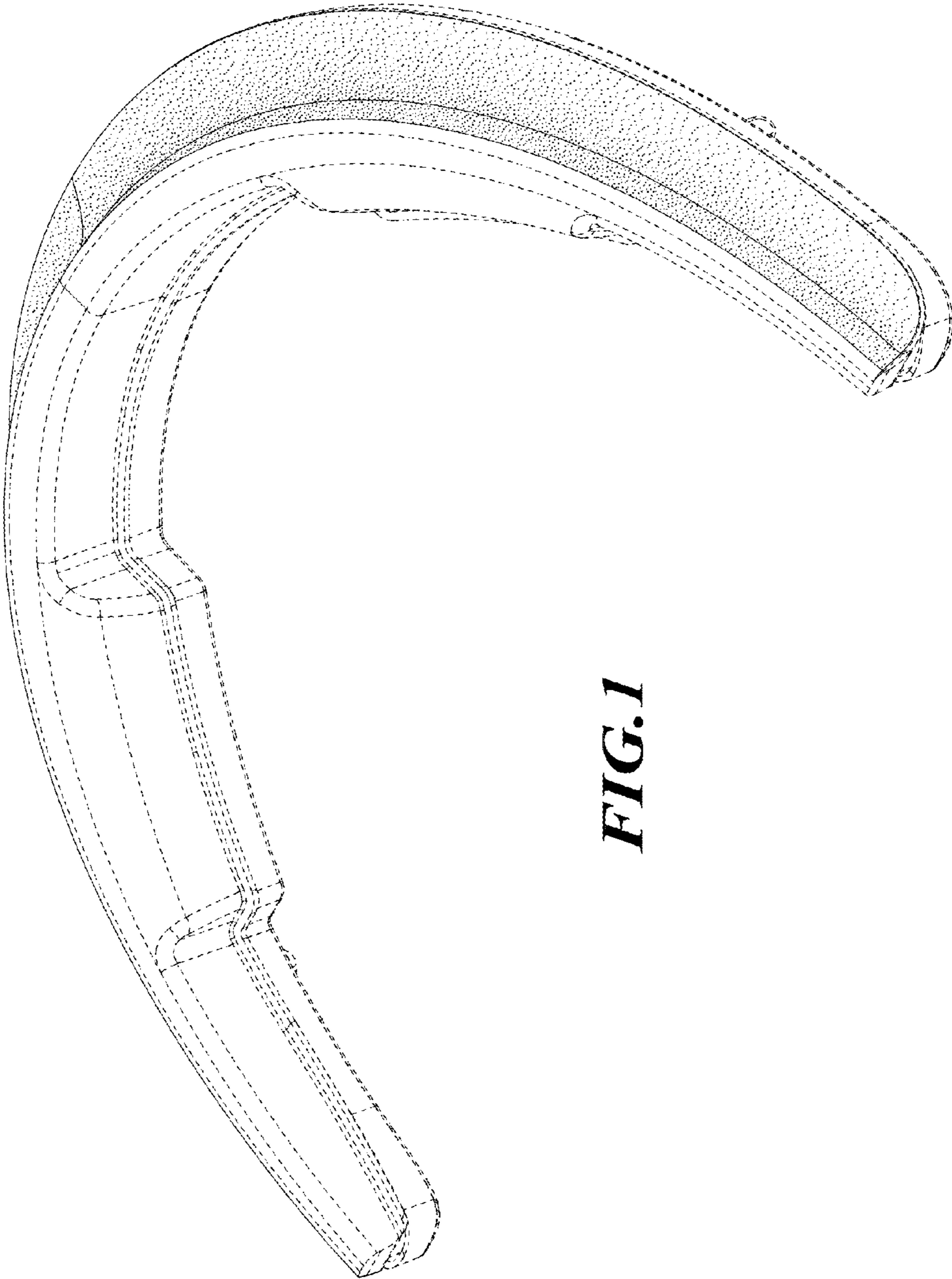


FIG. 1

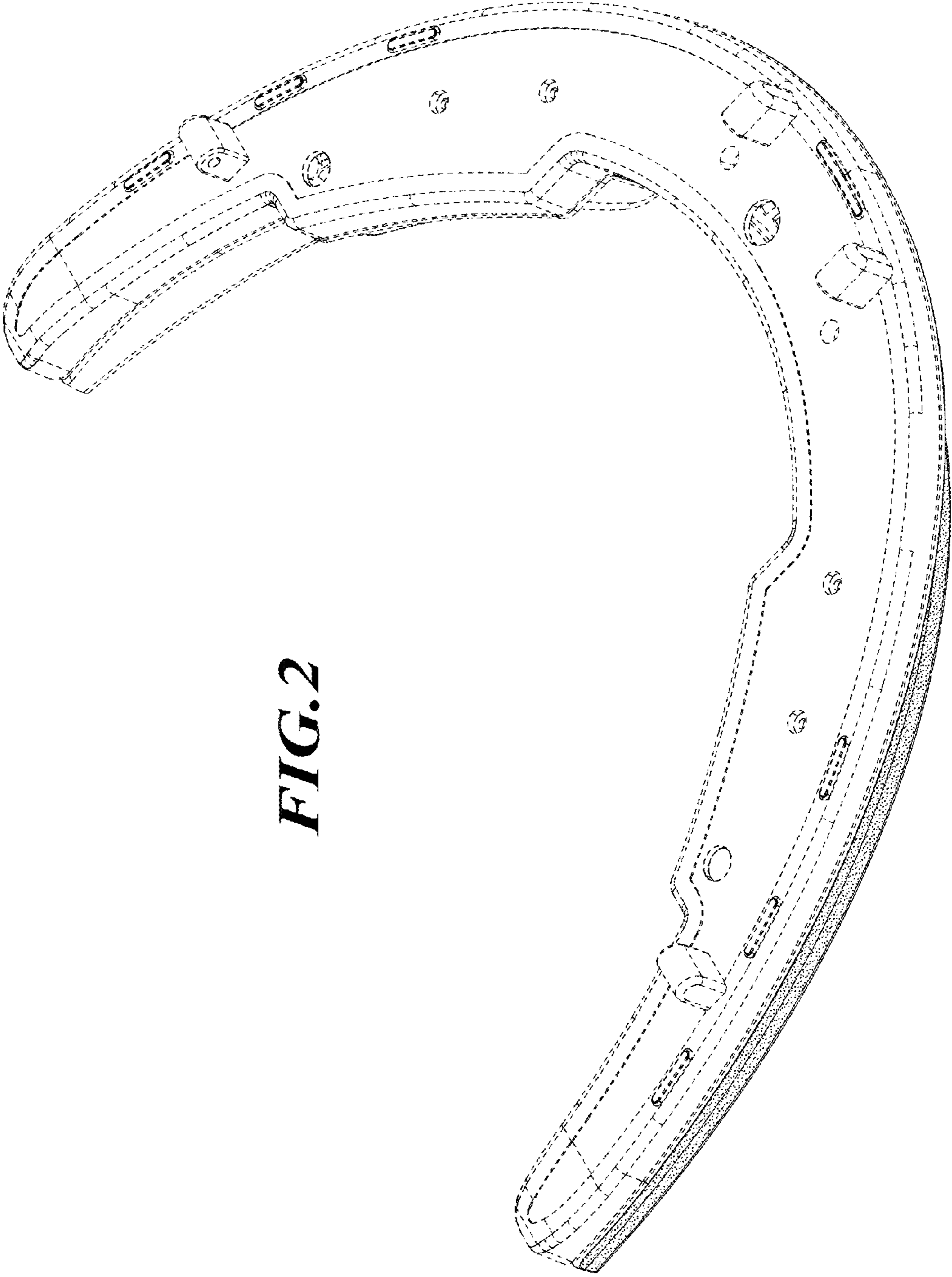


FIG. 2

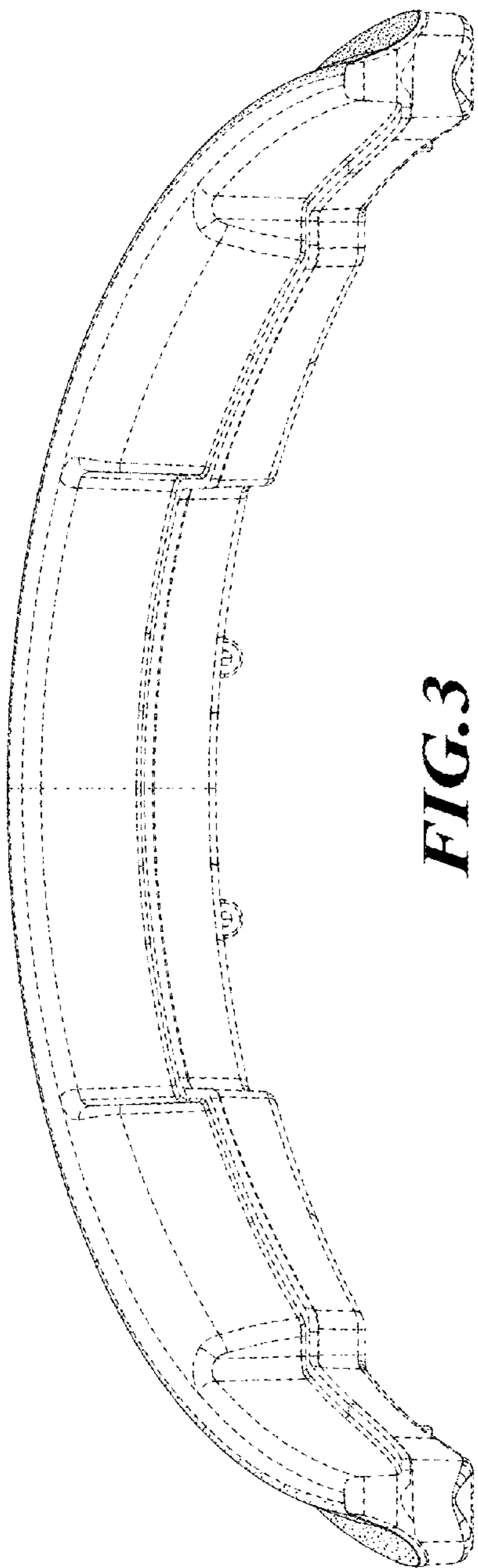


FIG. 3

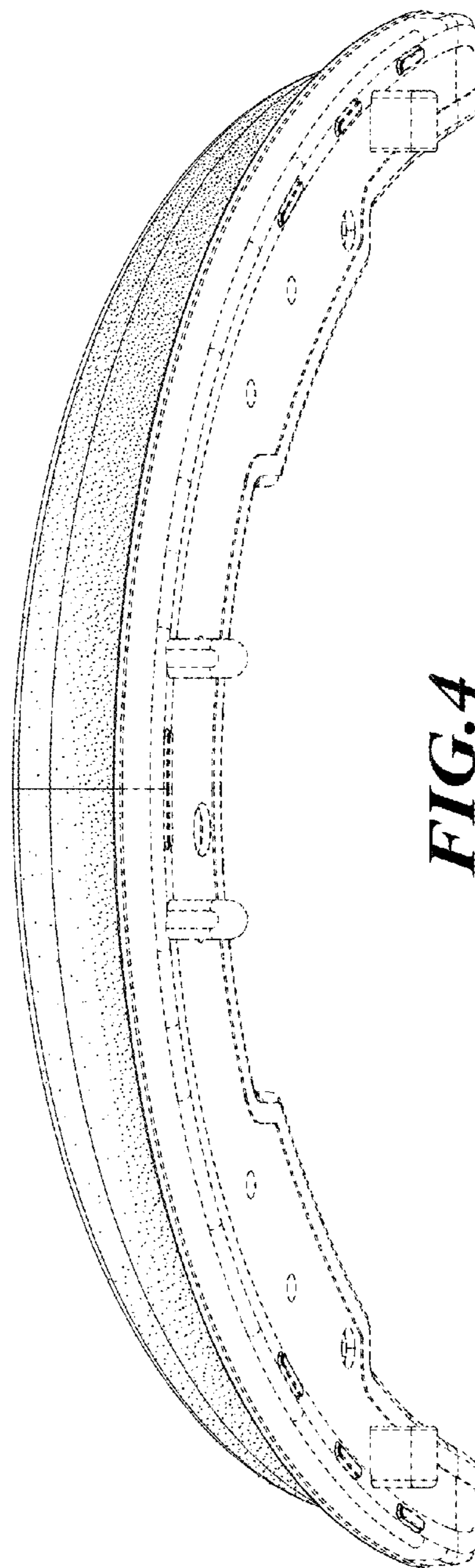


FIG. 4

FIG. 5

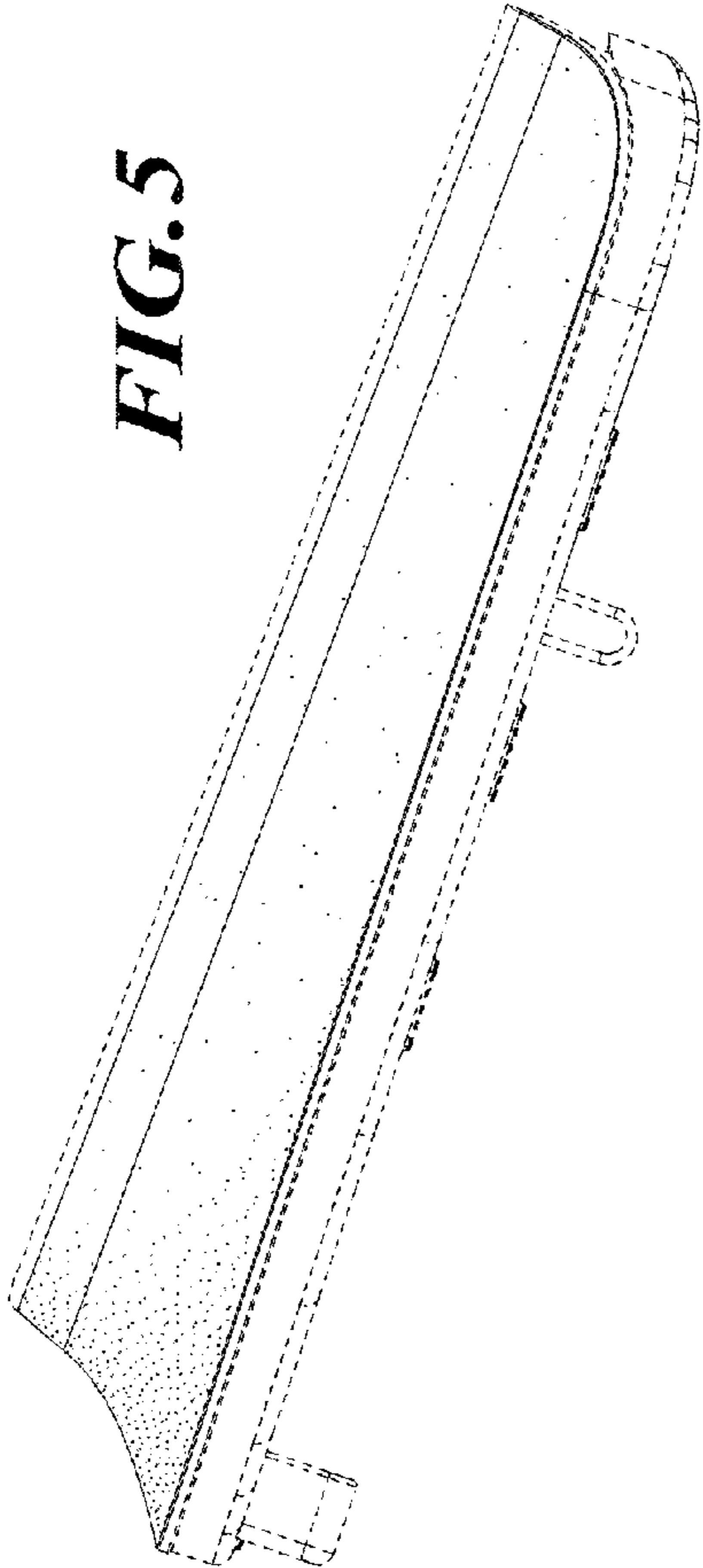
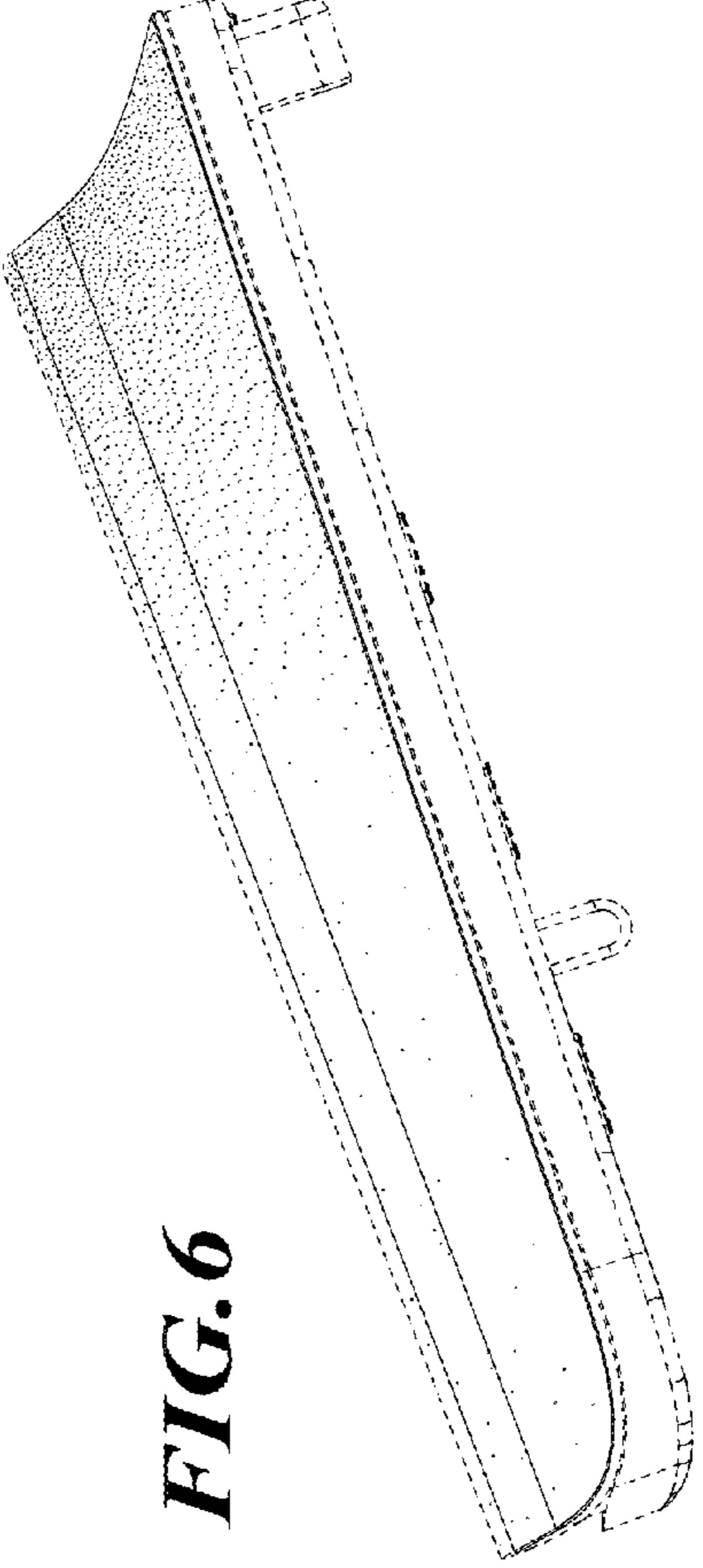


FIG. 6



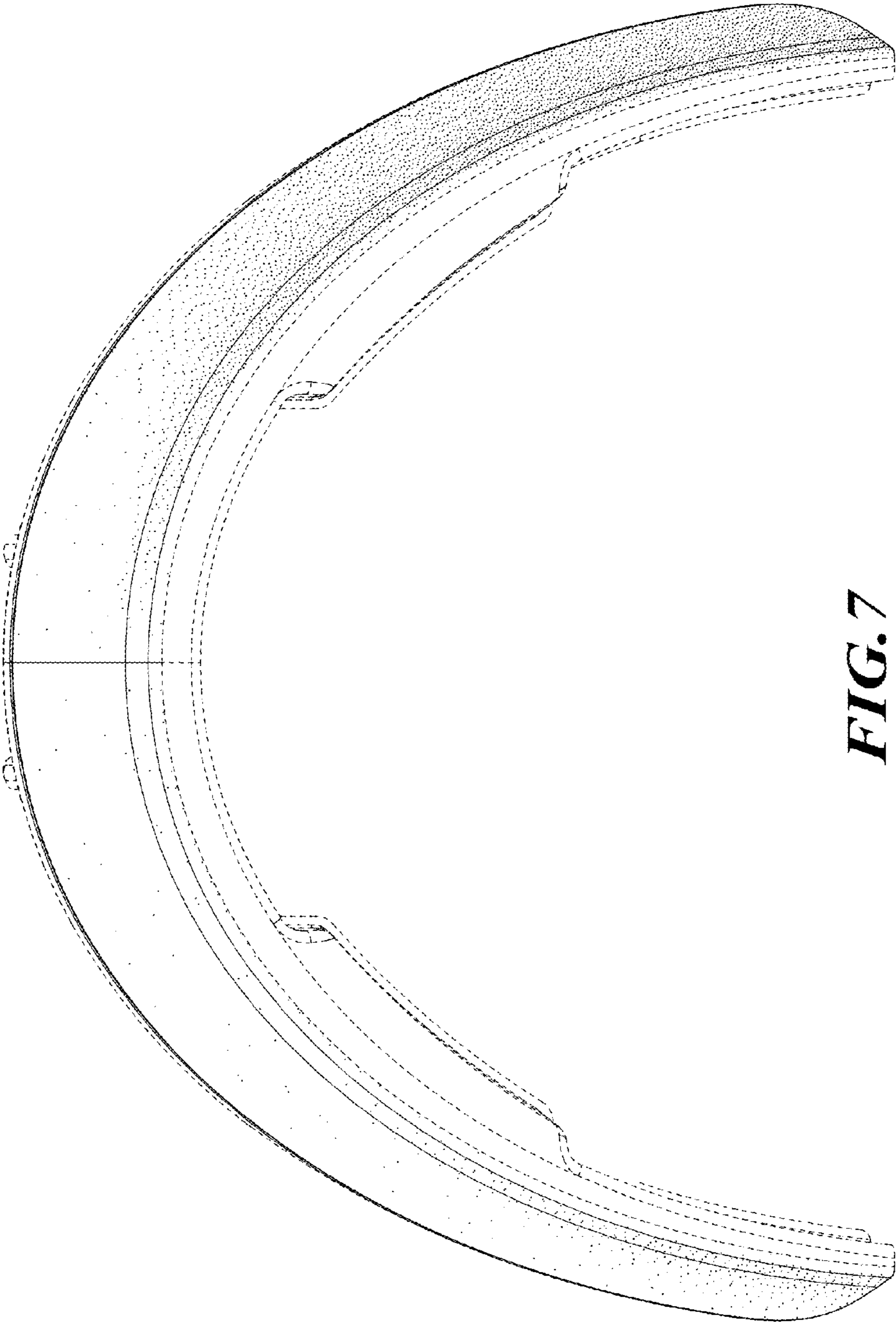


FIG. 7

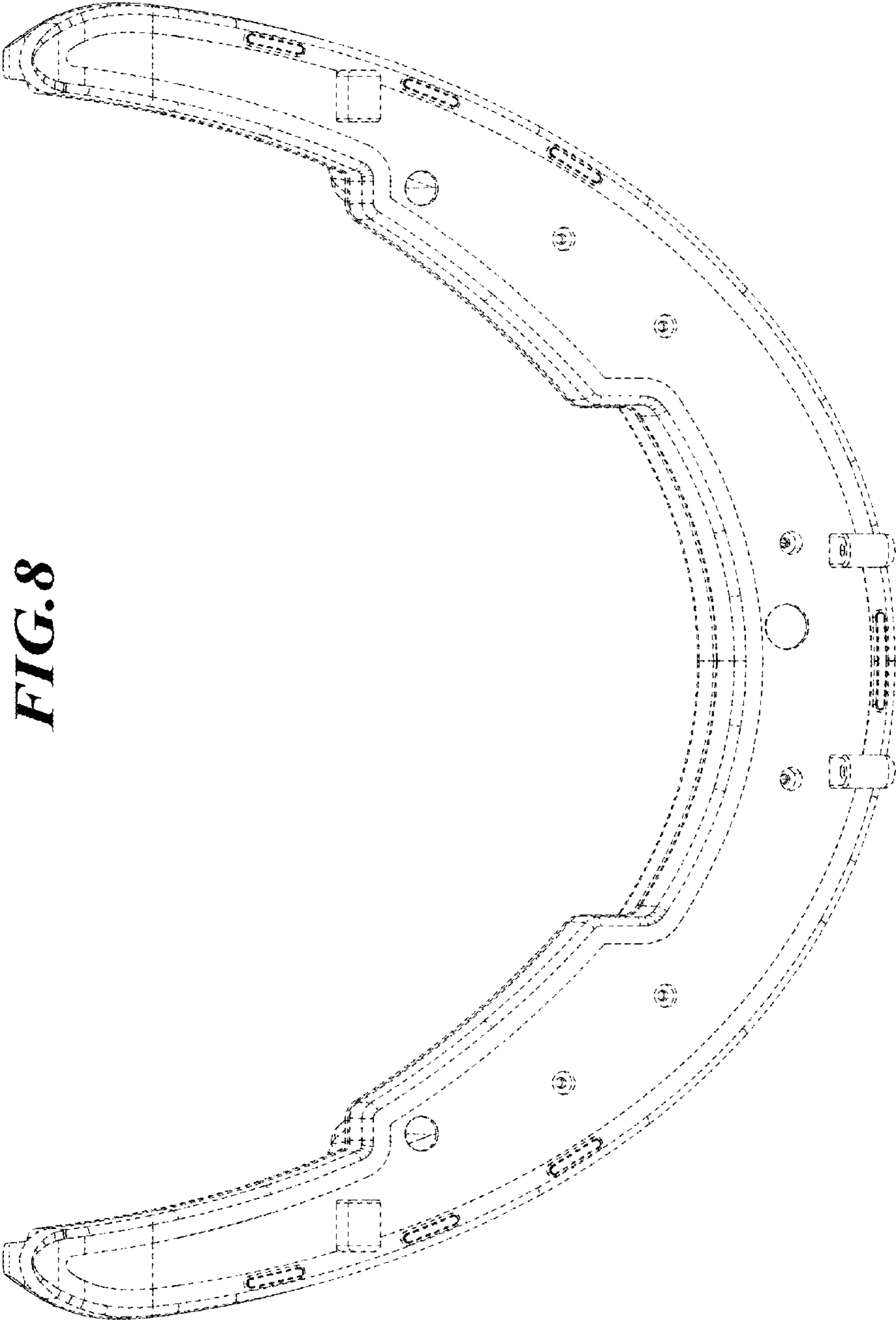


FIG. 8

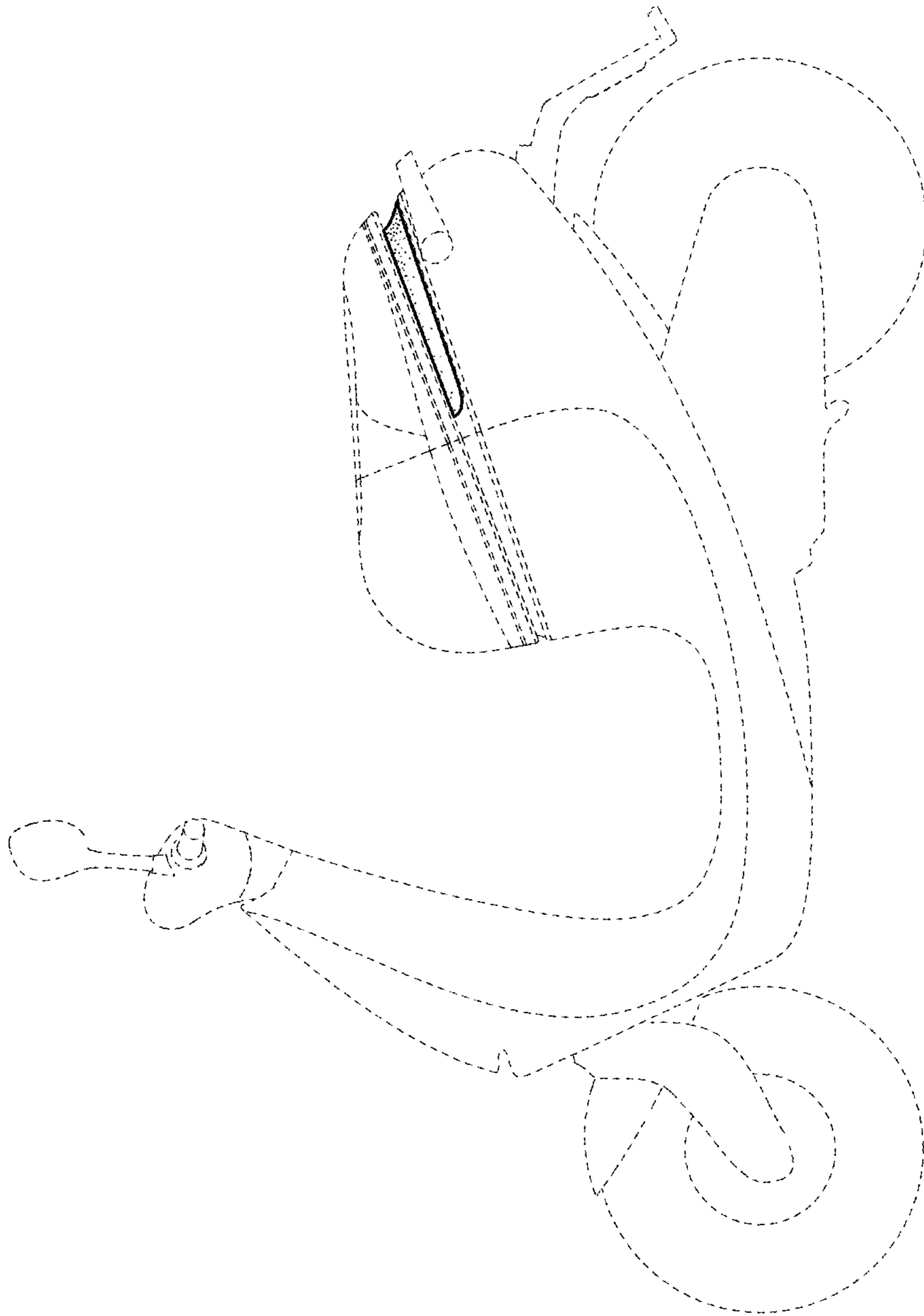


FIG. 9

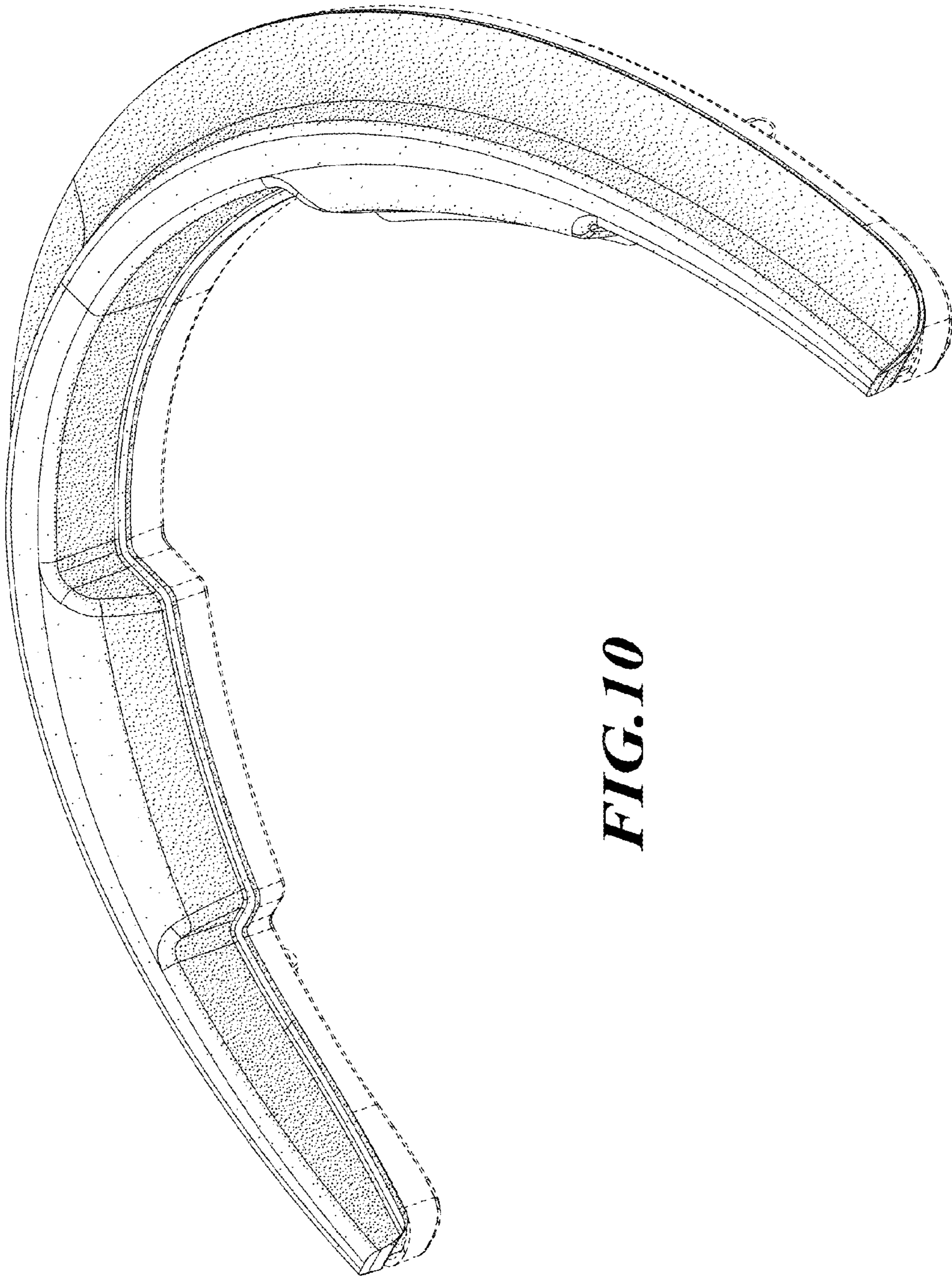


FIG. 10

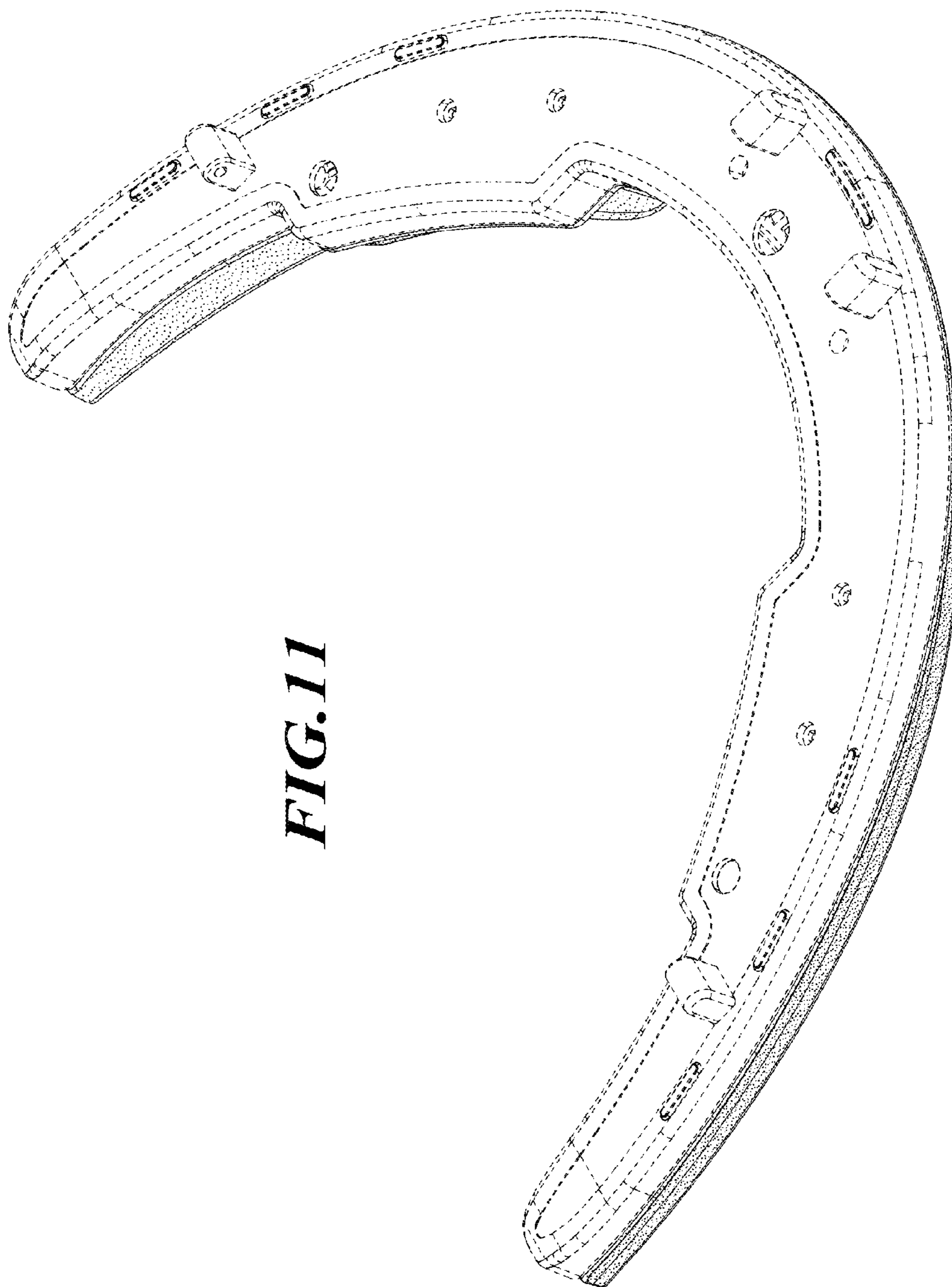


FIG. 11

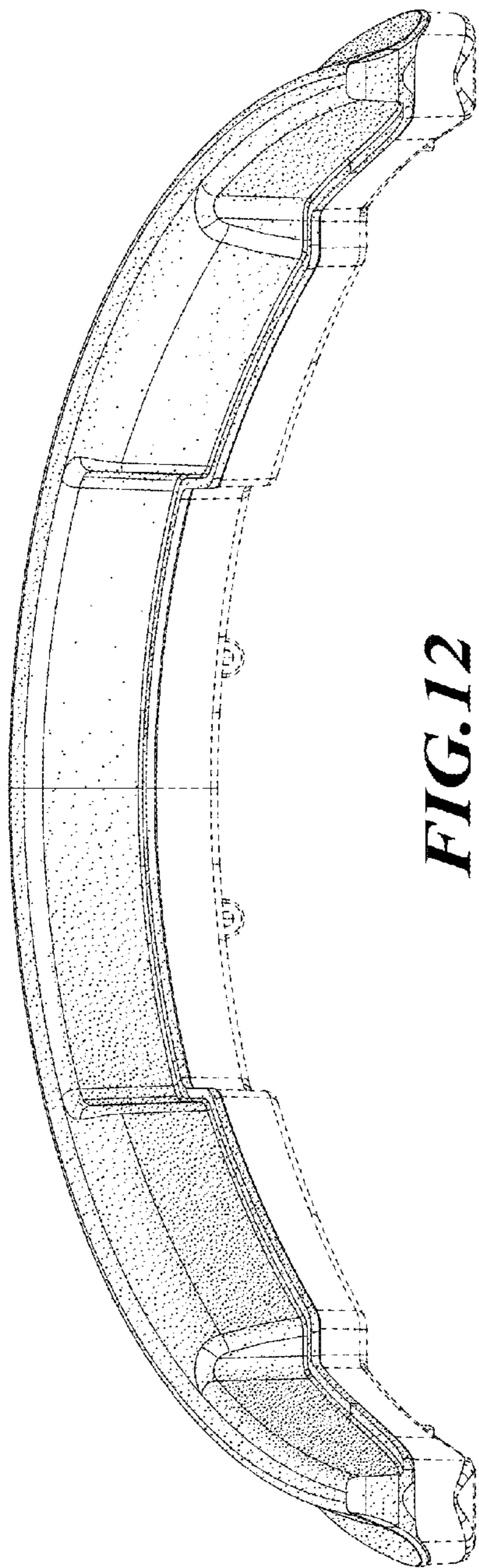


FIG. 12

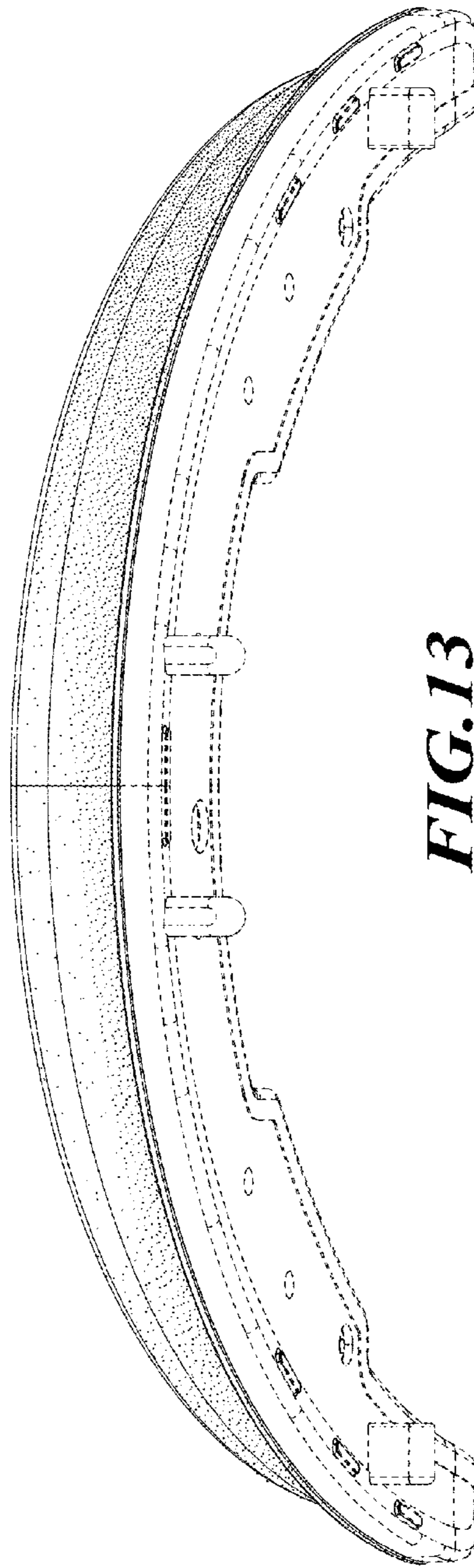


FIG. 13

FIG.14

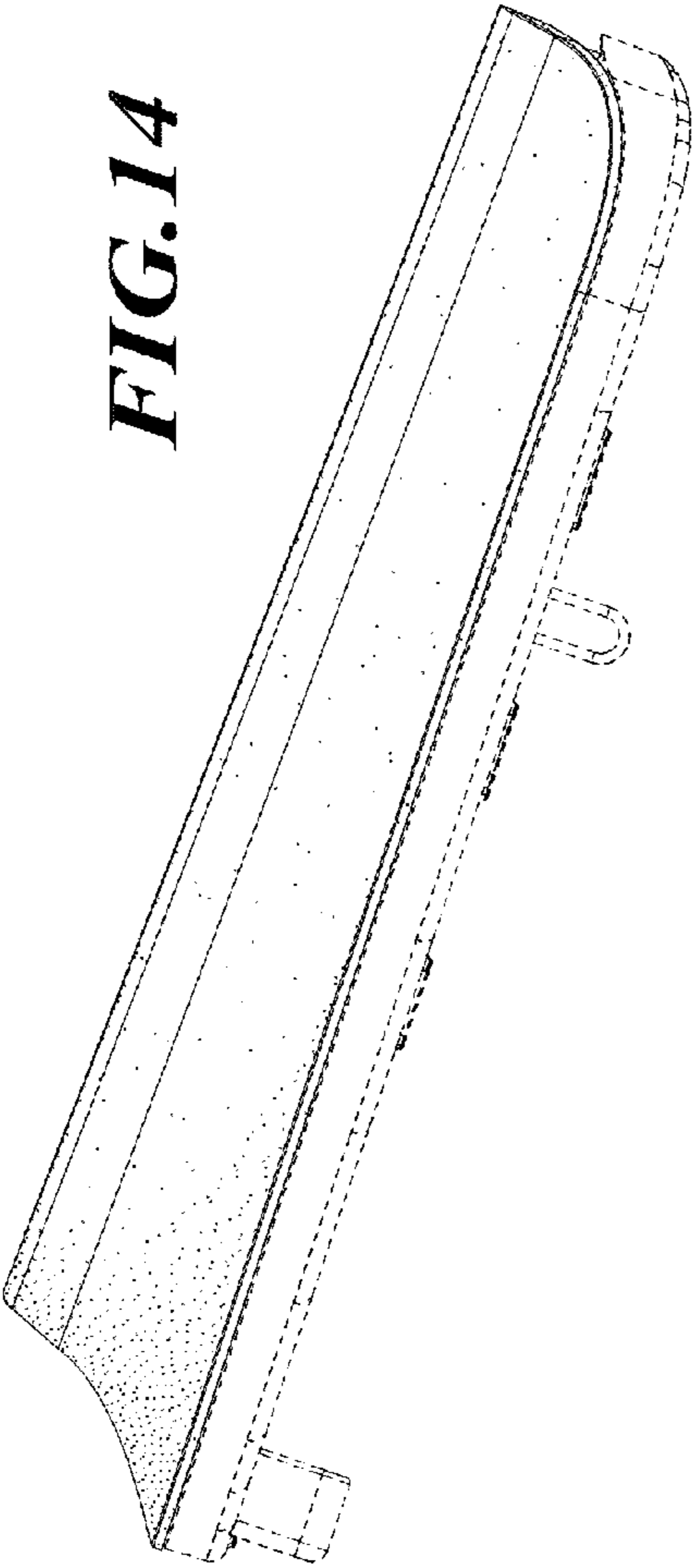
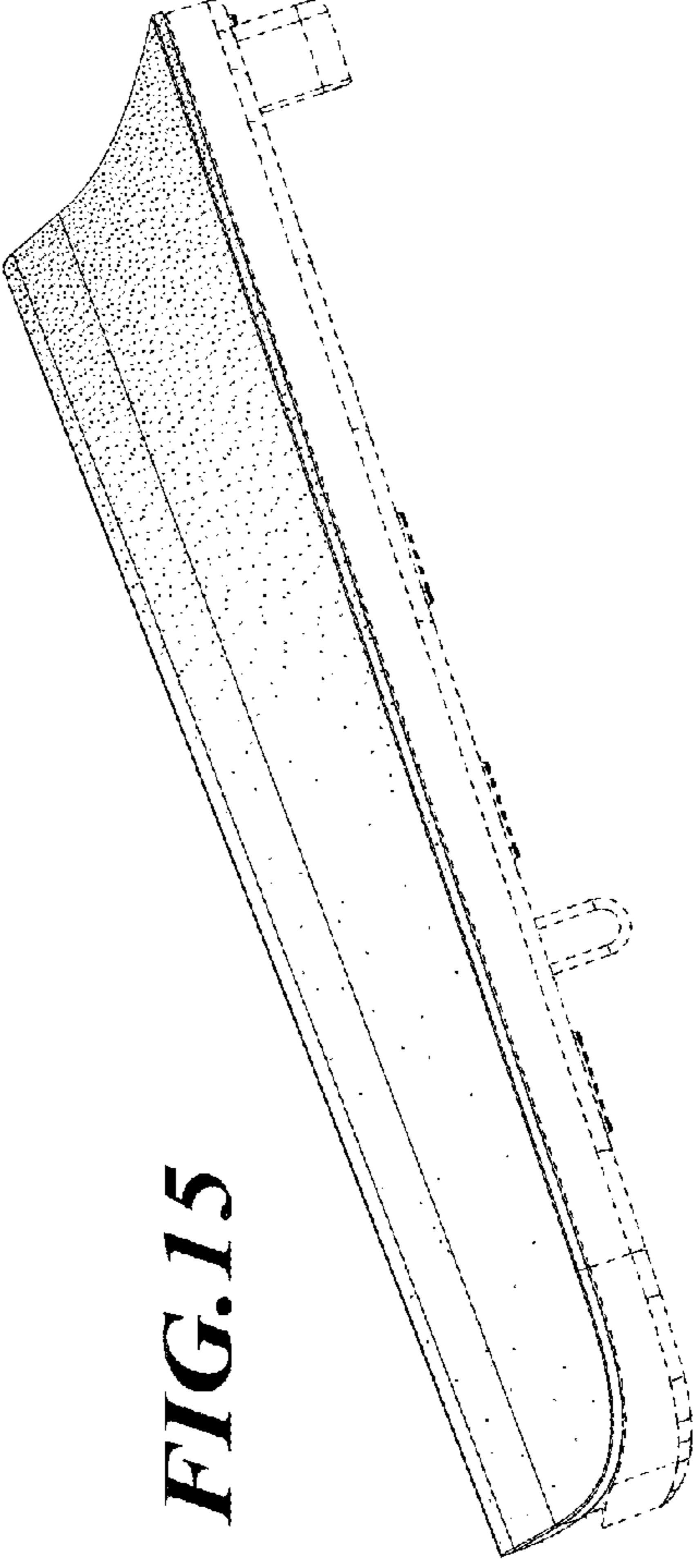


FIG.15



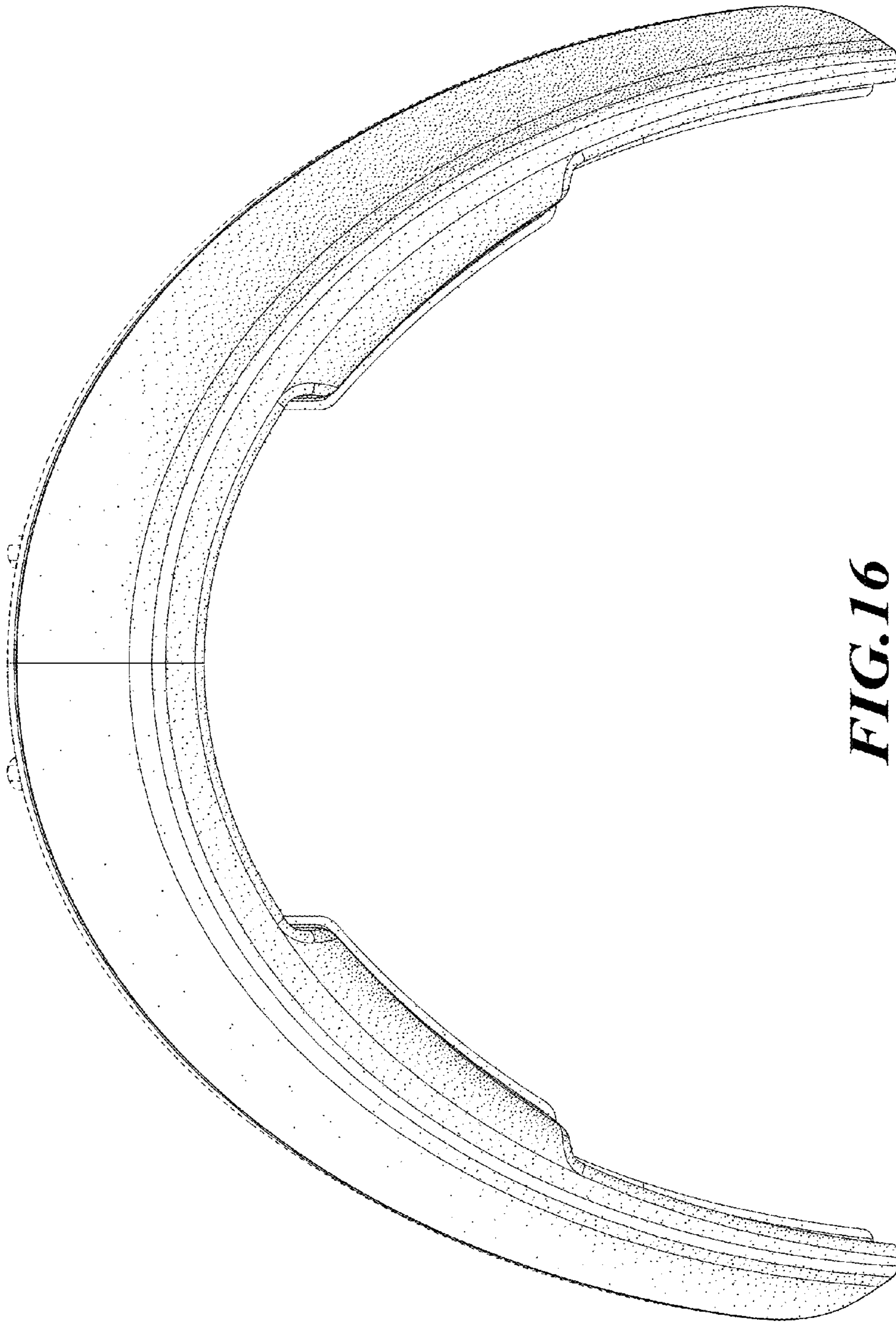


FIG. 16

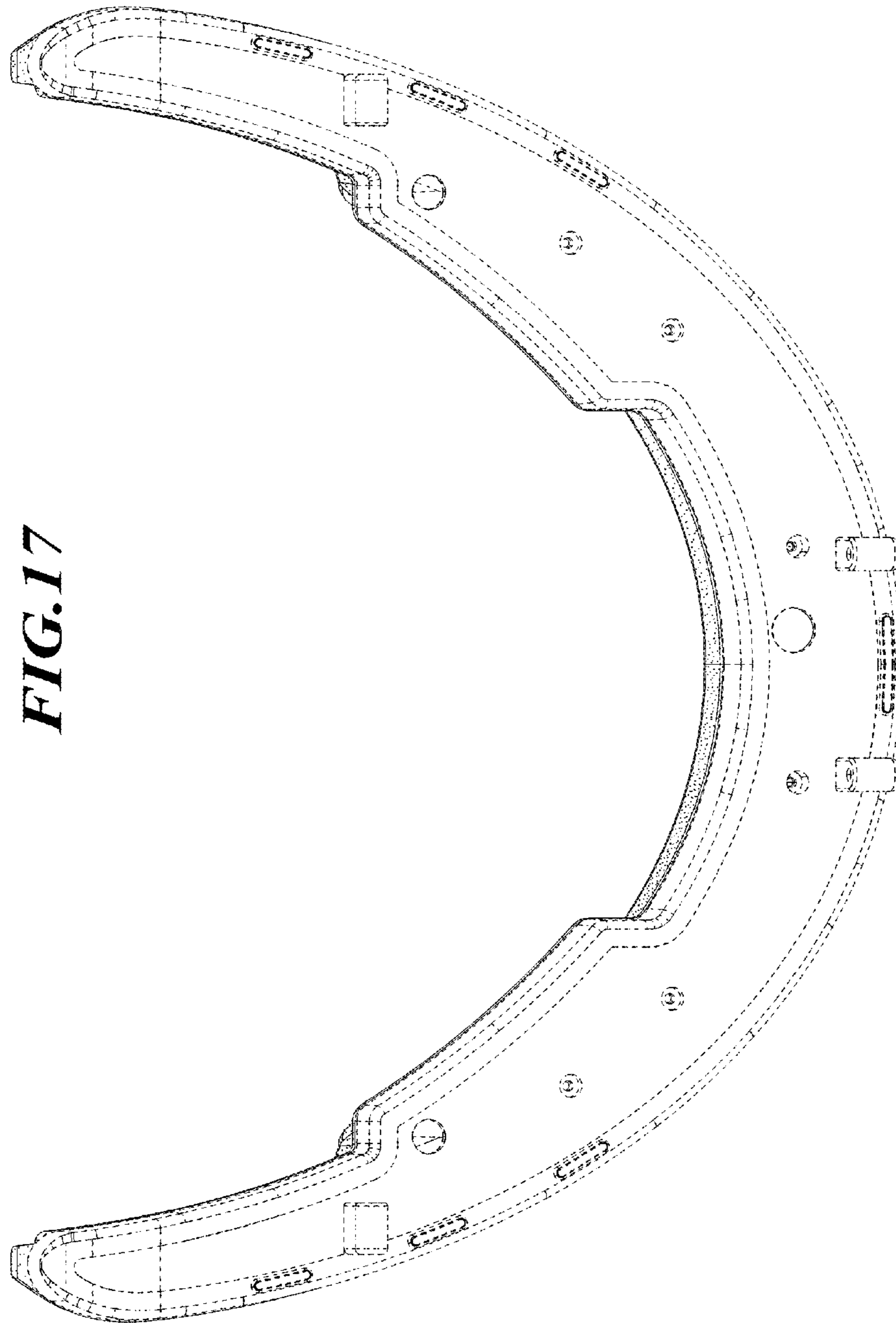


FIG. 17

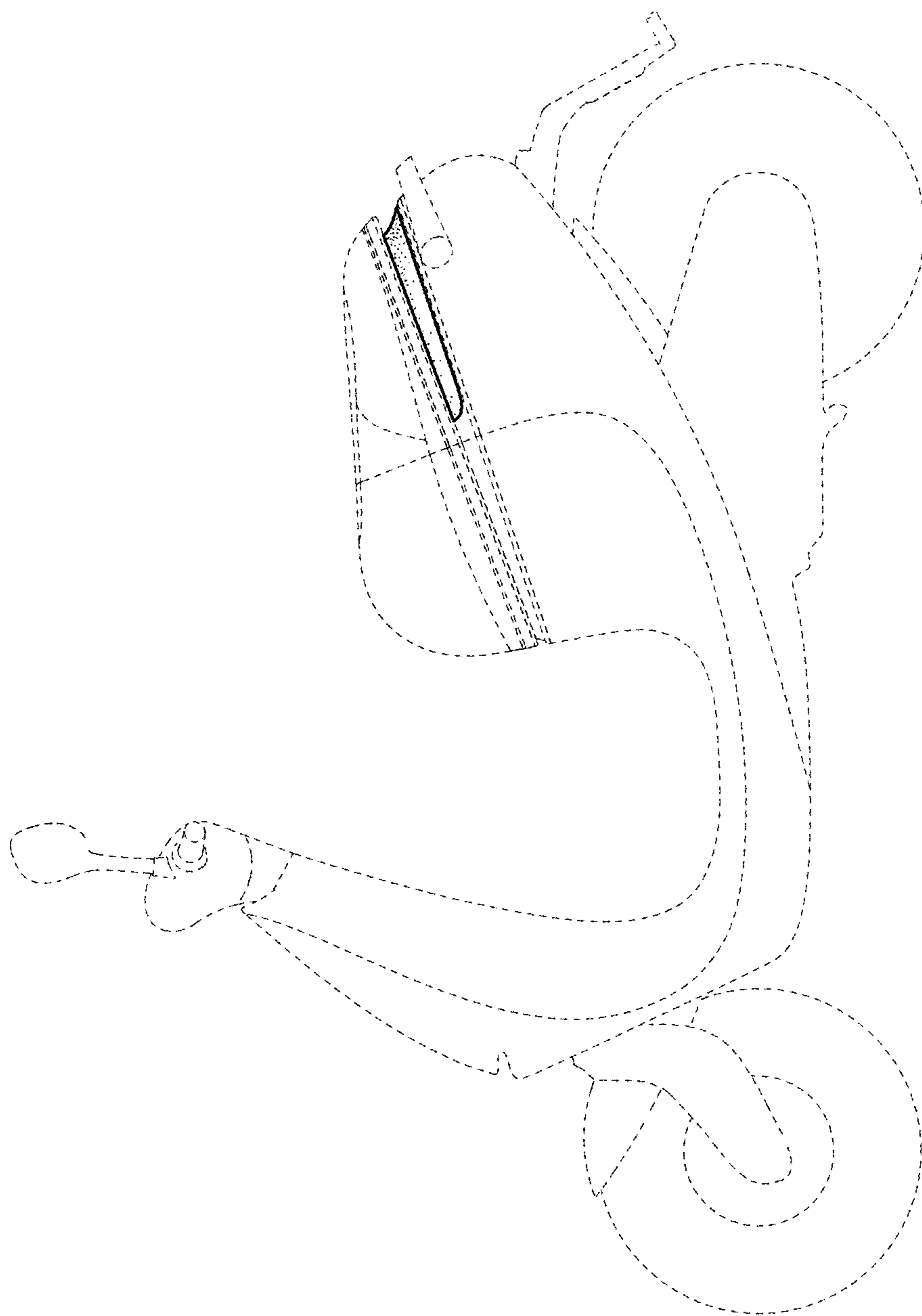


FIG. 18

UNITED STATES PATENT AND TRADEMARK OFFICE
CERTIFICATE OF CORRECTION

PATENT NO. : D754,893 S
APPLICATION NO. : 29/506652
DATED : April 26, 2016
INVENTOR(S) : Hok-Sum Horace Luke et al.

Page 1 of 1

It is certified that error appears in the above-identified patent and that said Letters Patent is hereby corrected as shown below:

On the Title Page

Item (71):

“**Gogoro Inc.**, Hong Kong (HK)” should read, --**Gogoro Inc.**, Hong Kong (CN)--.

Item (72):

“**Hok-Sum Horace Luke**, Mercer Island, WA (US); **Chien-Chih Weng**, New Taipei (TW); **Hsin-Wen Su**, Taipei (TW); **Song-Fu Wang**, Taipei (TW)” should read, --**Hok-Sum Horace Luke**, Mercer Island, WA (US); **Chien-Chih Weng**, New Taipei City (TW); **Hsin-Wen Su**, Taipei City (TW); **Song-Fu Wang**, Taipei City (TW)--.

Signed and Sealed this
Twenty-ninth Day of August, 2017



Joseph Matal
*Performing the Functions and Duties of the
Under Secretary of Commerce for Intellectual Property and
Director of the United States Patent and Trademark Office*