

US00D754891S

(12) **United States Design Patent**
Leban et al.

(10) **Patent No.:** **US D754,891 S**
(45) **Date of Patent:** **** Apr. 26, 2016**

(54) **DRIVING LIGHT**

(56) **References Cited**

(71) Applicant: **ARB Corporation, Ltd.**, Kilsyth (AU)

U.S. PATENT DOCUMENTS

(72) Inventors: **Joe Leban**, Melbourne (AU); **Steve Adams**, Mesa, AZ (US)

D601,727 S	*	10/2009	Huang	D26/28
D605,789 S	*	12/2009	Ko	D26/28
D626,670 S	*	11/2010	Metzger	D26/28
D657,081 S	*	4/2012	Alisaukas	D26/28
D670,839 S	*	11/2012	Smarslik	D26/28
D694,920 S		12/2013	Jurgens et al.		

(73) Assignee: **ARB CORPORATION LIMITED**, Kilsyth (AU)

* cited by examiner

(**) Term: **14 Years**

Primary Examiner — Marcus Jackson

(21) Appl. No.: **29/498,859**

(74) *Attorney, Agent, or Firm* — Davis Wright Tremaine LLP; Heather M. Colburn

(22) Filed: **Aug. 8, 2014**

Related U.S. Application Data

(63) Continuation of application No. 29/430,750, filed on Aug. 29, 2012, now Pat. No. Des. 712,077.

(57) **CLAIM**

The ornamental design for a driving light, as shown and described.

(30) **Foreign Application Priority Data**

Mar. 26, 2012 (AU) 11519/2012

(51) **LOC (10) Cl.** **26-04**

(52) **U.S. Cl.**
USPC **D26/28**

(58) **Field of Classification Search**
USPC D26/28-36; 362/459-468, 475-478, 362/485-487
CPC F21S 48/00; F21S 48/10; F21S 48/115; F21S 48/1233; F21S 48/1266; F21S 48/1388; F21S 48/2268; F21V 21/04
See application file for complete search history.

DESCRIPTION

FIG. 1 is an isometric view of the driving light showing our new design;
FIG. 2 is a front elevation thereof;
FIG. 3 is a side elevation thereof; and,
FIG. 4 is a back elevation thereof.
The broken lines represent portions of the driving light that form no part of the claim.

1 Claim, 4 Drawing Sheets

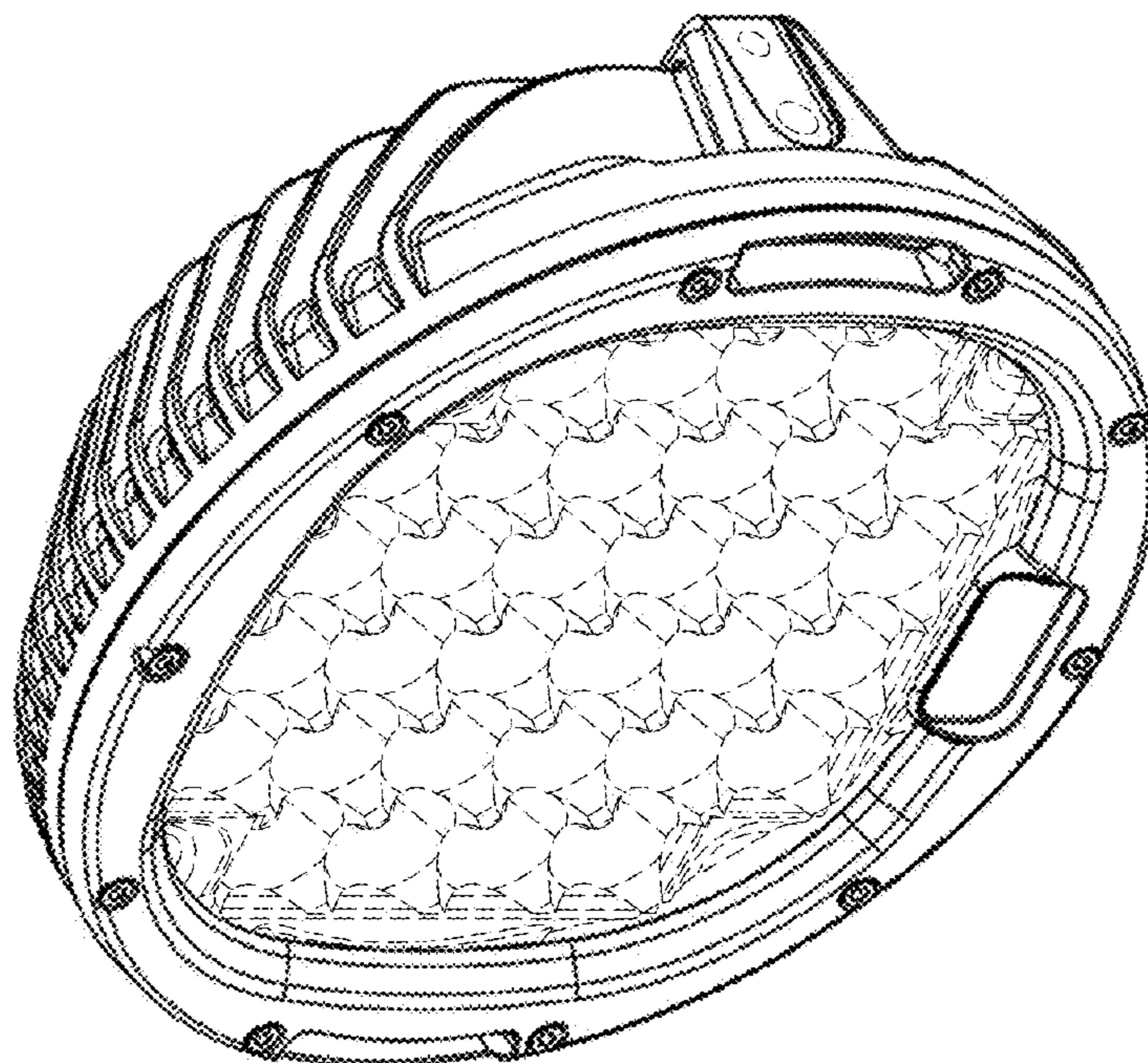


FIGURE 1

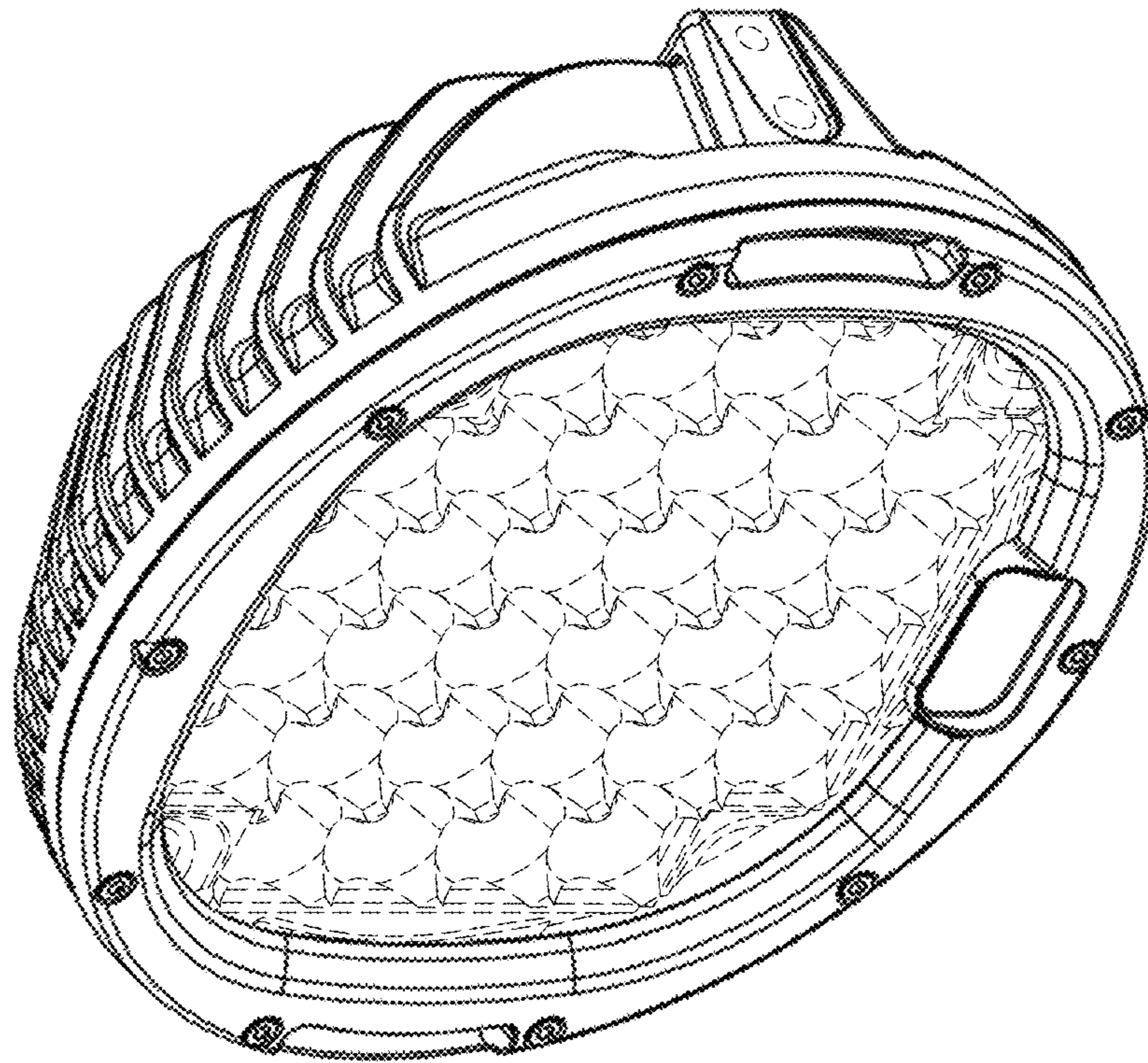


FIGURE 2

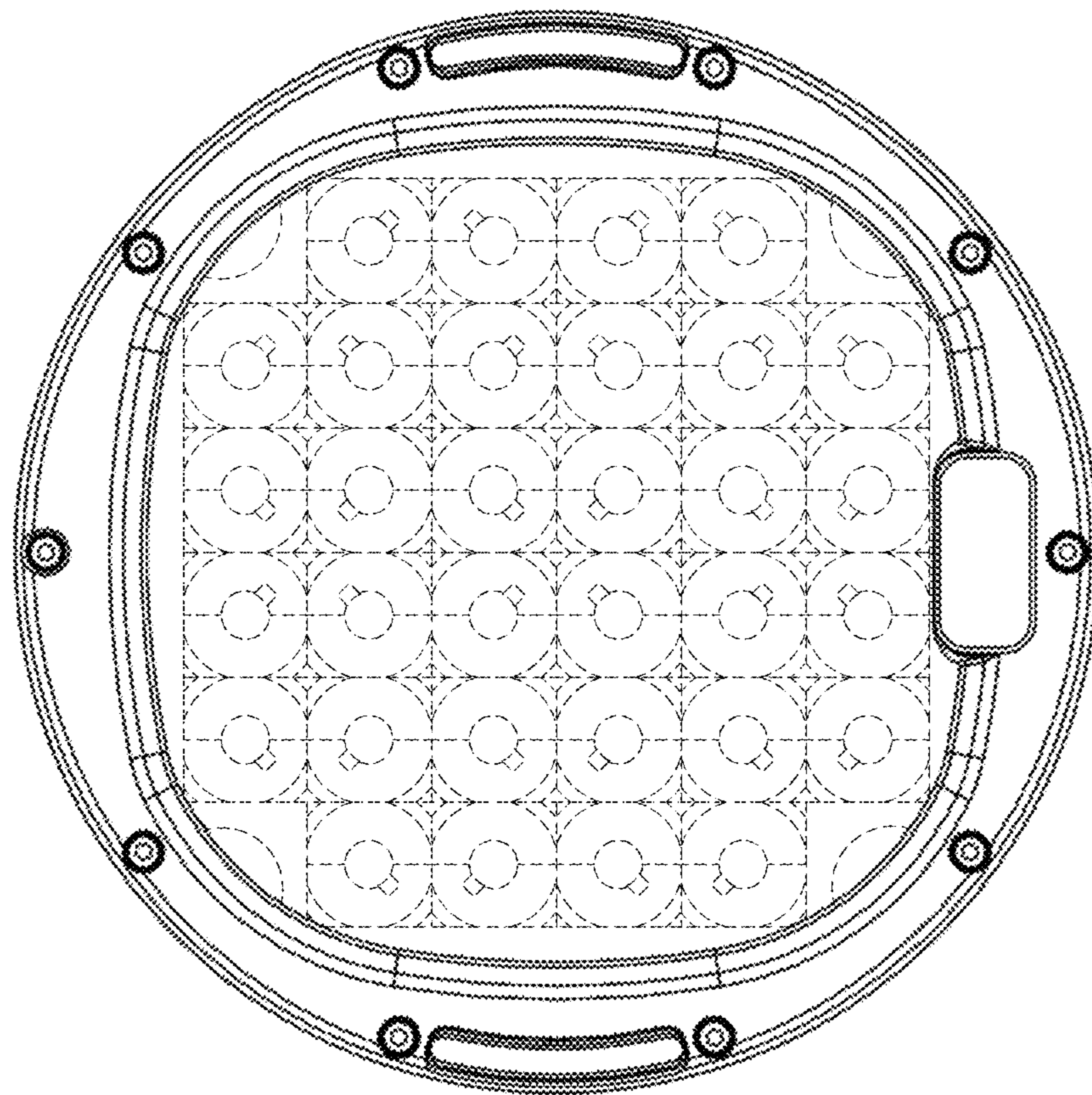


FIGURE 3

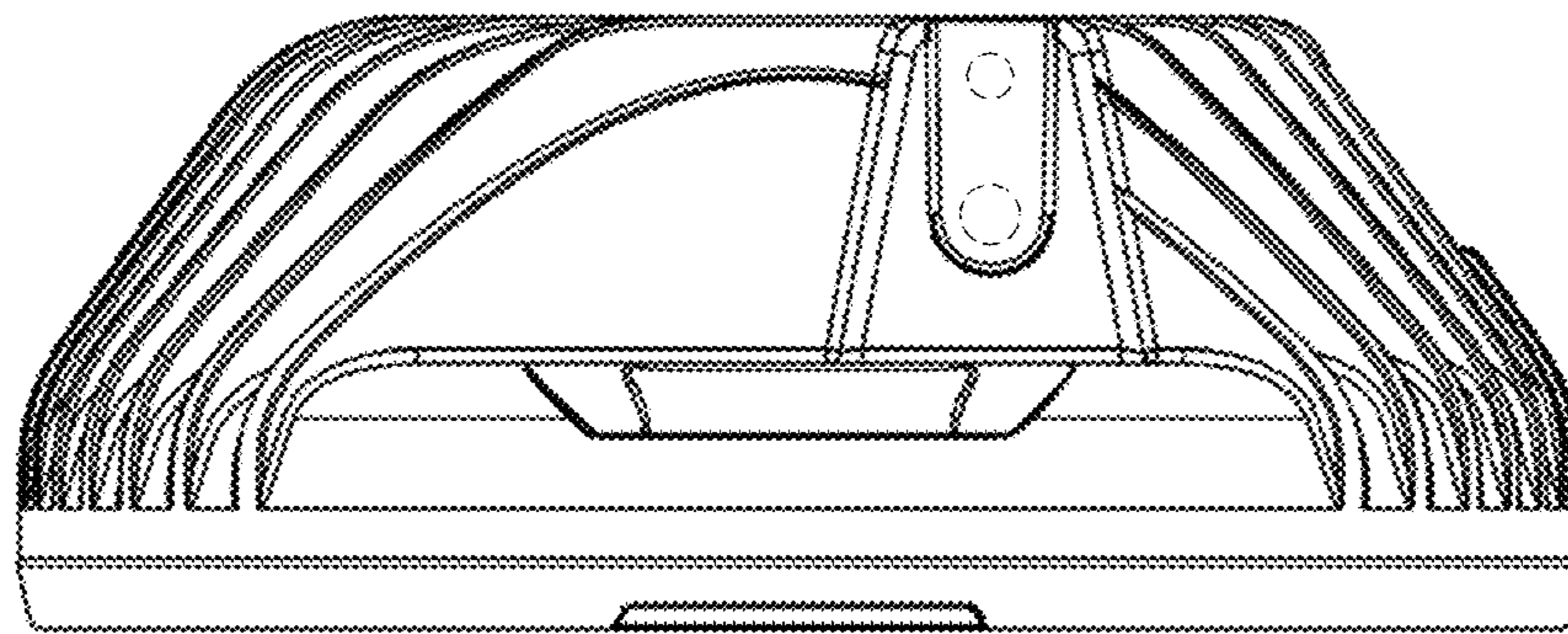


FIGURE 4

