



US00D754889S

(12) **United States Design Patent**  
**Gotschke et al.**

(10) **Patent No.:** **US D754,889 S**

(45) **Date of Patent:** **\*\* \*Apr. 26, 2016**

(54) **VEHICLE TAIL LAMP**

(71) Applicant: **Ford Motor Company**, Dearborn, MI (US)

(72) Inventors: **Wolfgang Gotschke**, Cologne (DE);  
**Uwe Pulver**, Cologne (DE)

(73) Assignee: **Ford Motor Company**, Dearborn, MI (US)

(\*) Notice: This patent is subject to a terminal disclaimer.

(\*\*) Term: **14 Years**

(21) Appl. No.: **29/486,022**

(22) Filed: **Mar. 26, 2014**

(51) **LOC (10) Cl.** ..... **26-06**

(52) **U.S. Cl.**  
USPC ..... **D26/28**

(58) **Field of Classification Search**  
USPC ..... D26/28-36; 362/459-468, 475-478,  
362/485-487  
CPC ... F21S 48/1159; F21S 48/00; F21S 48/1241;  
F21S 48/10; F21S 48/1329; F21S 48/20;  
F21S 48/2225; F21S 48/1266

See application file for complete search history.

(56) **References Cited**

U.S. PATENT DOCUMENTS

D614,330	S	*	4/2010	Lamm et al.	.....	D26/28
D614,331	S	*	4/2010	Lamm et al.	.....	D26/28
D635,696	S	*	4/2011	Jeong et al.	.....	D26/28
D695,933	S	*	12/2013	Kim et al.	.....	D26/28
D705,967	S	*	5/2014	Park et al.	.....	D26/28

\* cited by examiner

*Primary Examiner* — Cynthia Ramirez

*Assistant Examiner* — Llorellys Martinez-Rivera

(74) *Attorney, Agent, or Firm* — Damian Porcari

(57) **CLAIM**

The ornamental design for a vehicle tail lamp, as shown and described.

**DESCRIPTION**

FIG. 1 is a perspective view of a left vehicle tail lamp showing our new design;

FIG. 2 is another perspective view thereof;

FIG. 3 is a front elevational view thereof;

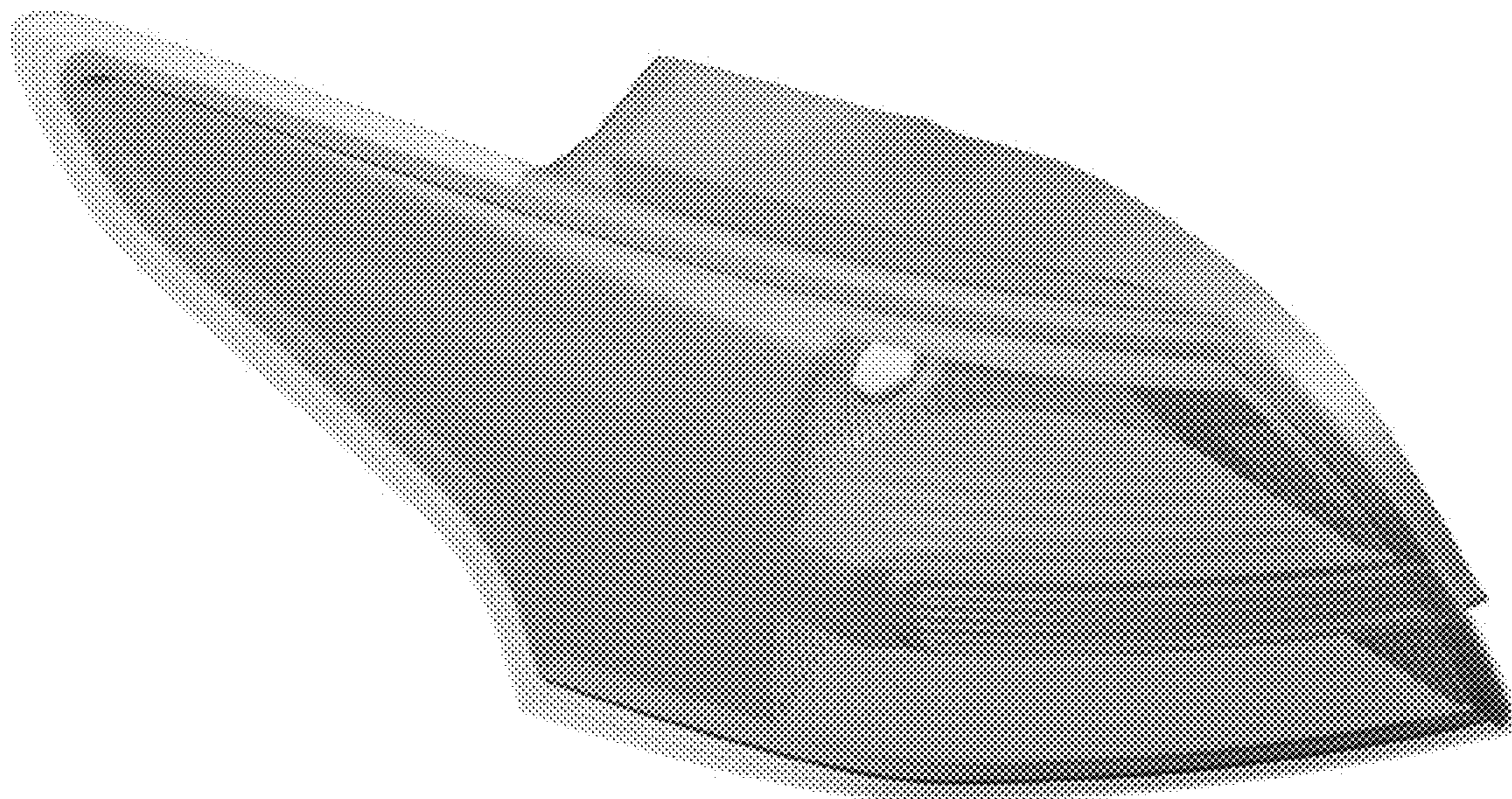
FIG. 4 is a left side elevational view thereof;

FIG. 5 is a right side elevational view thereof;

FIG. 6 is a top plan view thereof; and,

FIG. 7 is a bottom plan view thereof.

**1 Claim, 7 Drawing Sheets**



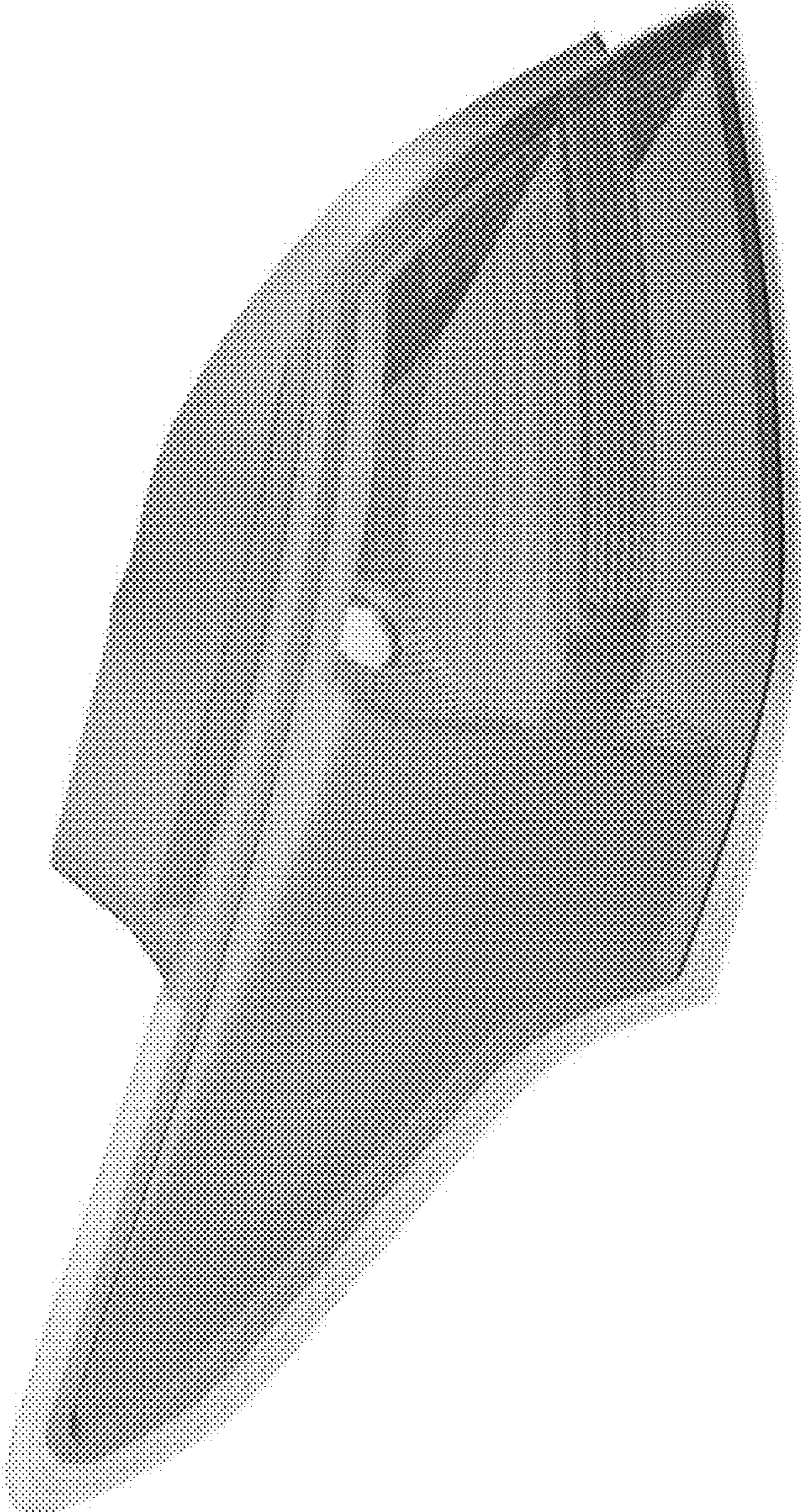


Figure 1

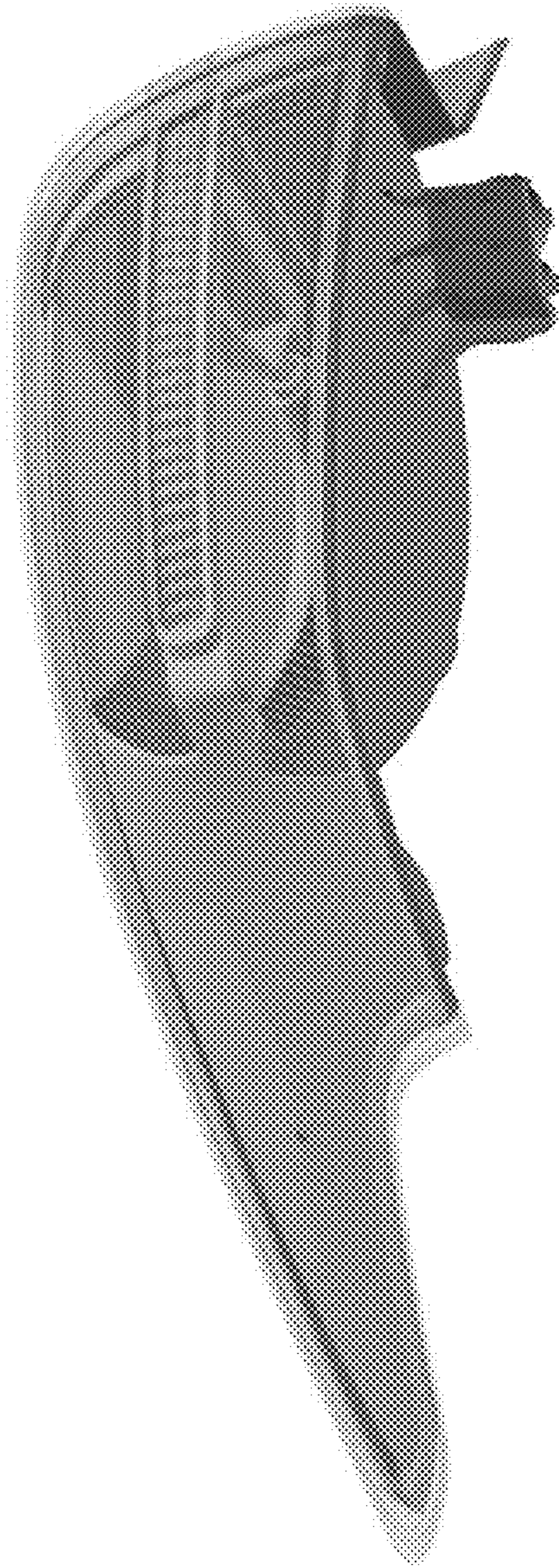


Figure 2

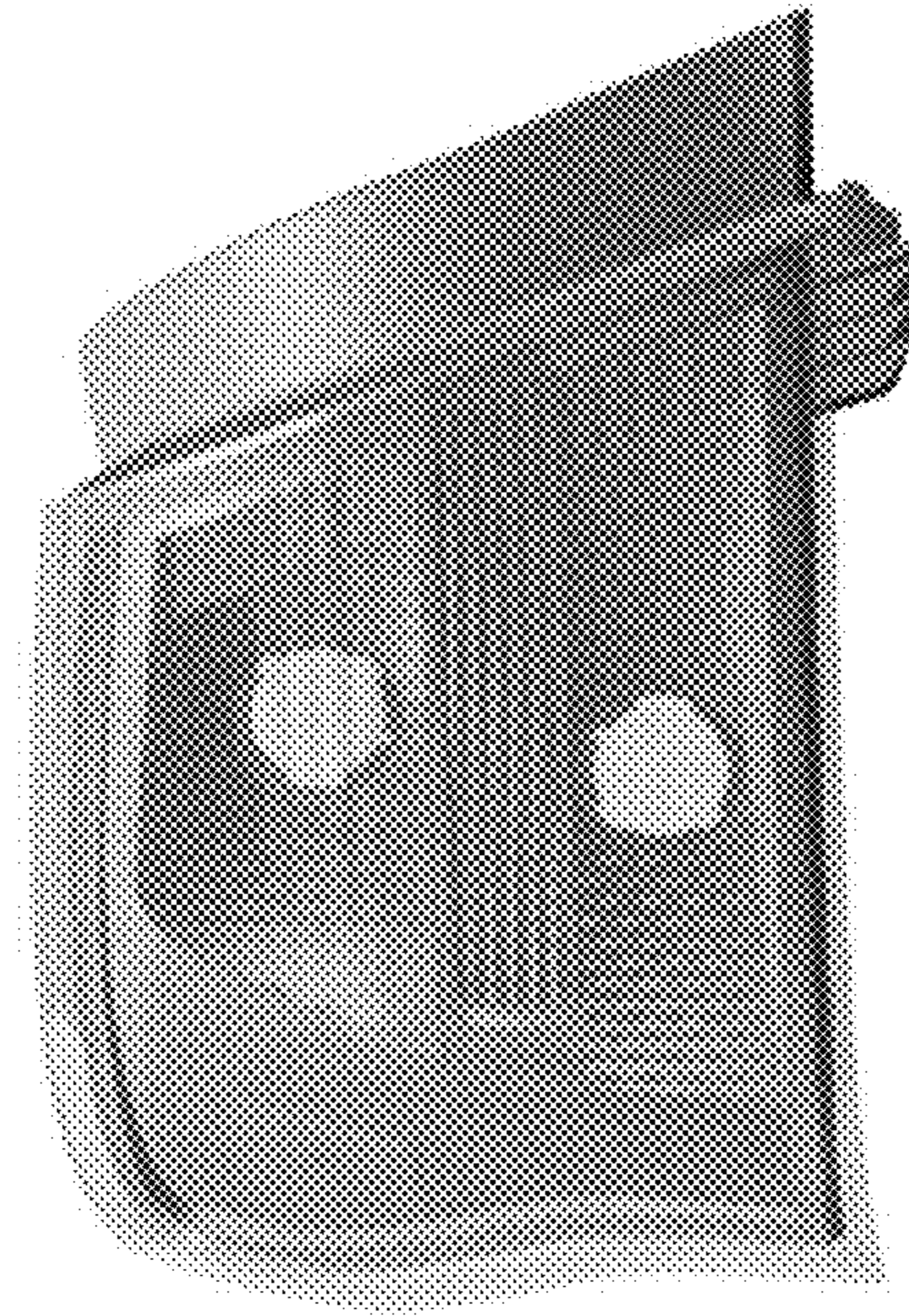


Figure 3

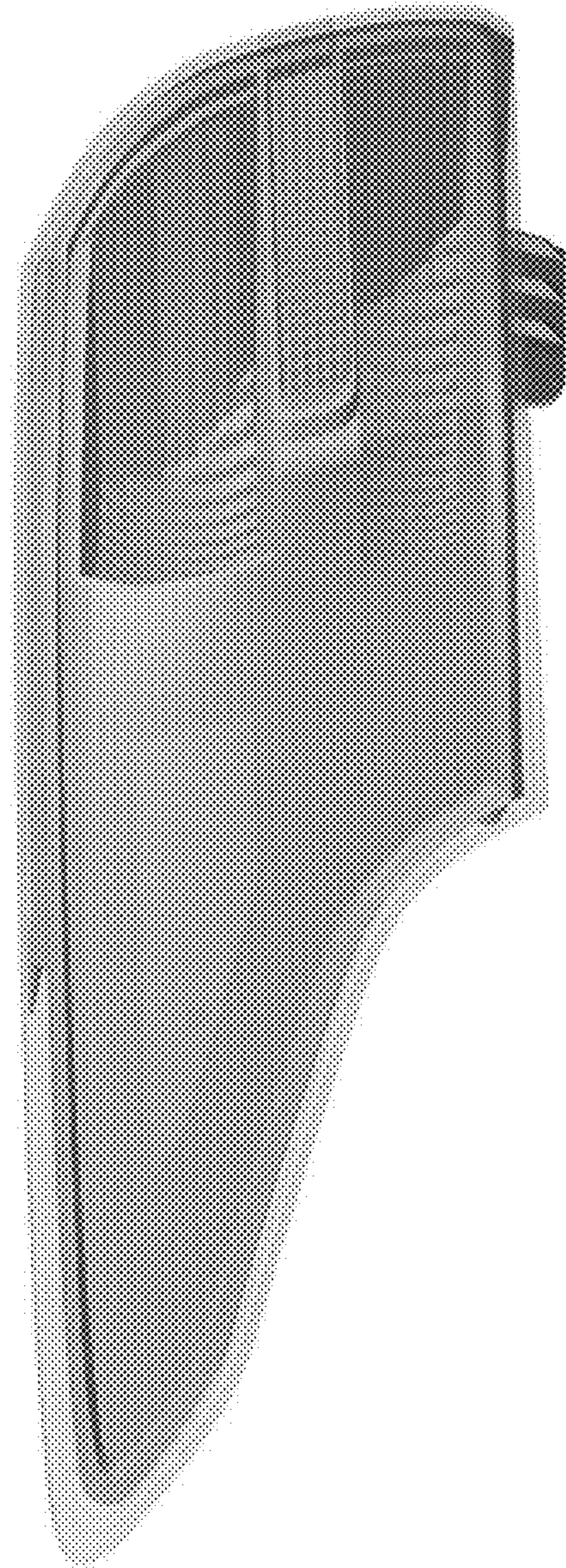


Figure 4

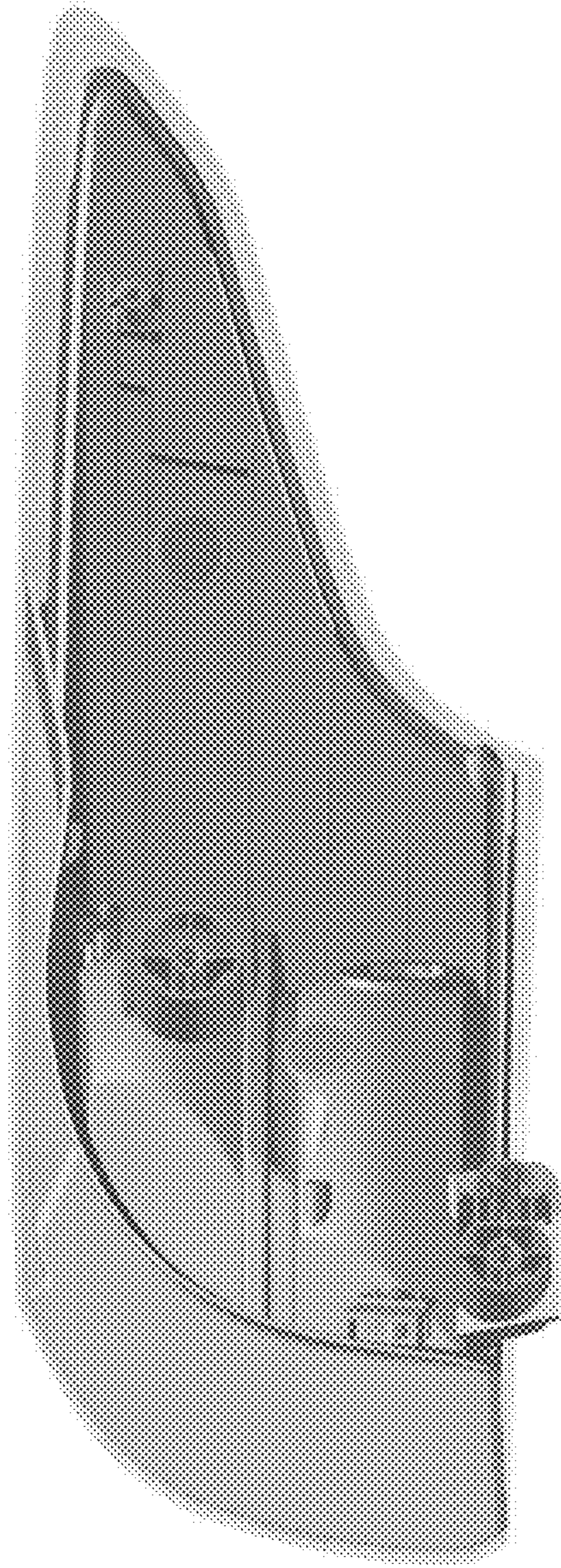


Figure 5

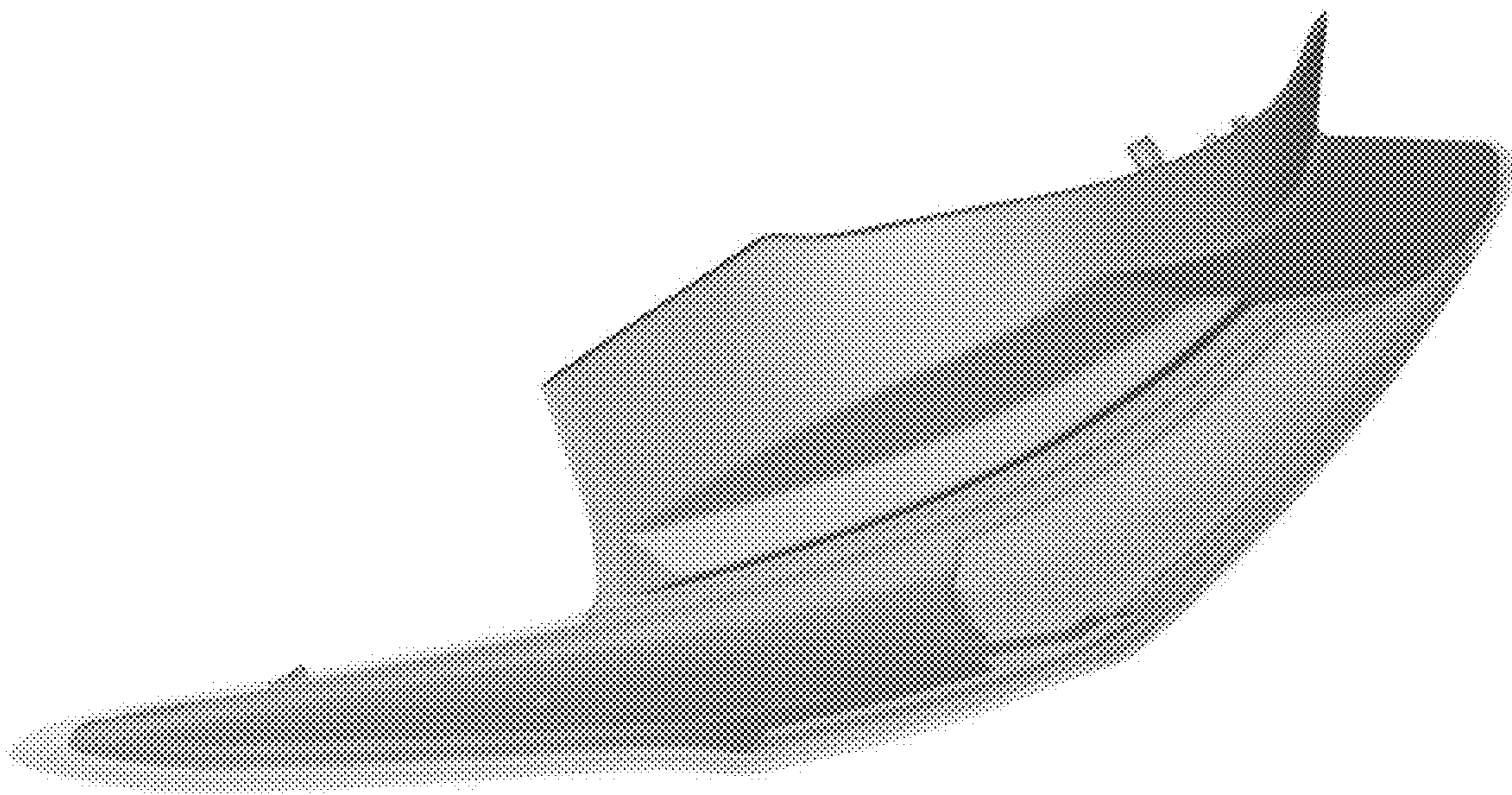


Figure 6

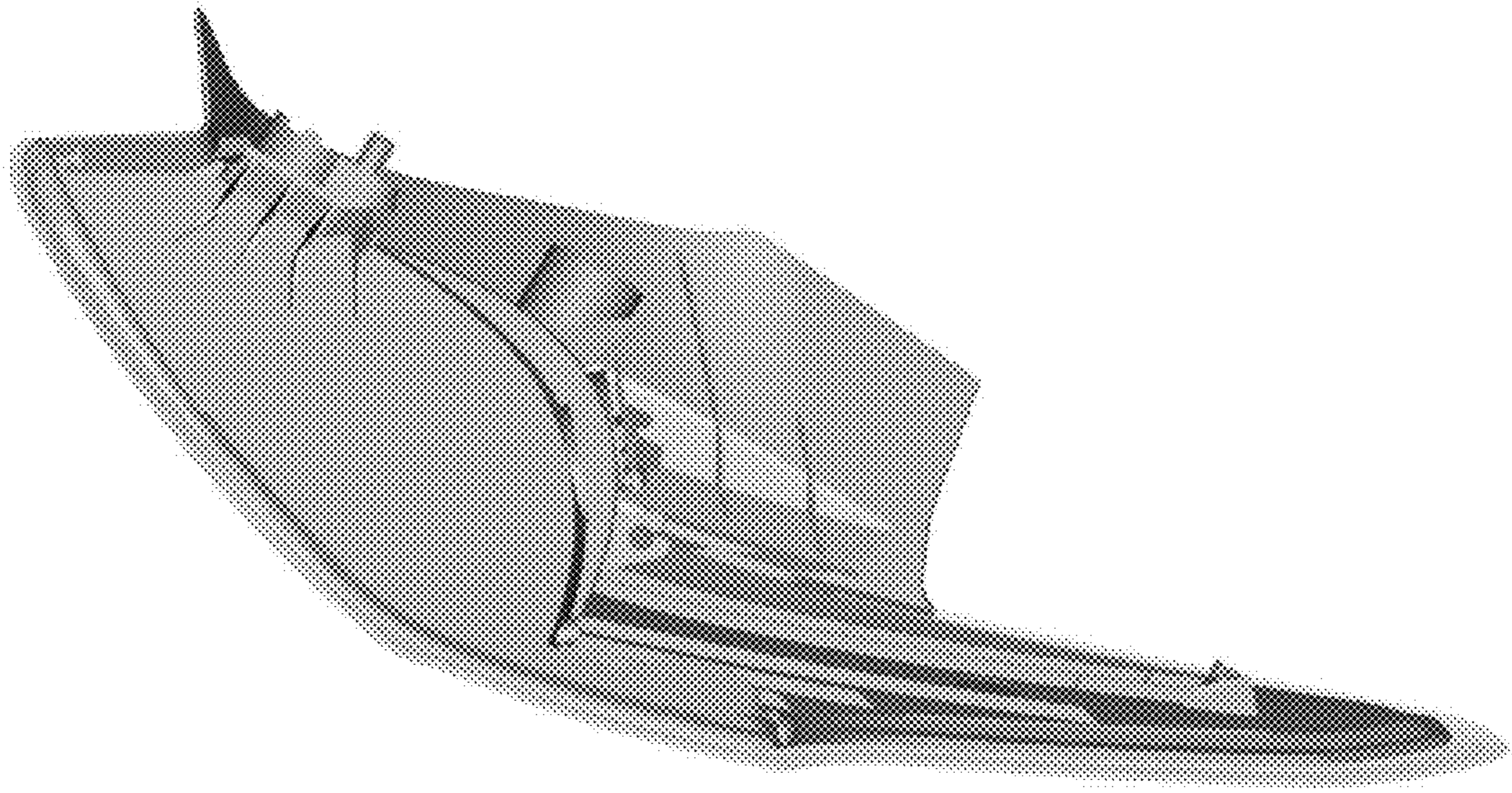


Figure 7