



US00D754888S

(12) **United States Design Patent**
Brown et al.

(10) **Patent No.:** **US D754,888 S**
(45) **Date of Patent:** **** Apr. 26, 2016**

(54) **CANDLE HOLDER**

(71) Applicants: **Stan Brown**, Bradenton, FL (US); **Ruth Brown**, Bradenton, FL (US)

(72) Inventors: **Stan Brown**, Bradenton, FL (US); **Ruth Brown**, Bradenton, FL (US)

(**) Term: **14 Years**

(21) Appl. No.: **29/504,119**

(22) Filed: **Oct. 2, 2014**

(51) **LOC (10) Cl.** **26-01**

(52) **U.S. Cl.**
USPC **D26/14**

(58) **Field of Classification Search**
USPC D26/22, 9, 1, 19, 20, 52, 6, 10, 11, 12,
D26/13, 14, 15, 16, 7, 23, 96, 101, 102,
D26/116; 431/589, 290–295, 288, 125, 126,
431/366, 369; 392/418, 390, 403–406
CPC F21V 35/00
See application file for complete search history.

(56) **References Cited**

U.S. PATENT DOCUMENTS

- 1,879,477 A * 9/1932 Powell F21V 35/00
428/21
- 3,308,705 A * 3/1967 Shinnick A23G 3/28
428/7
- 6,733,280 B1 * 5/2004 Livne C11C 5/006
431/126

- 8,636,518 B2 * 1/2014 Wetherbee G09B 19/00
434/236
- D734,513 S * 7/2015 Brown D26/16
- 2005/0207155 A1 * 9/2005 Jian F21V 33/00
362/234

* cited by examiner

Primary Examiner — T. Chase Nelson

Assistant Examiner — Ania Aman

(74) *Attorney, Agent, or Firm* — Dinsmore & Shohl LLP

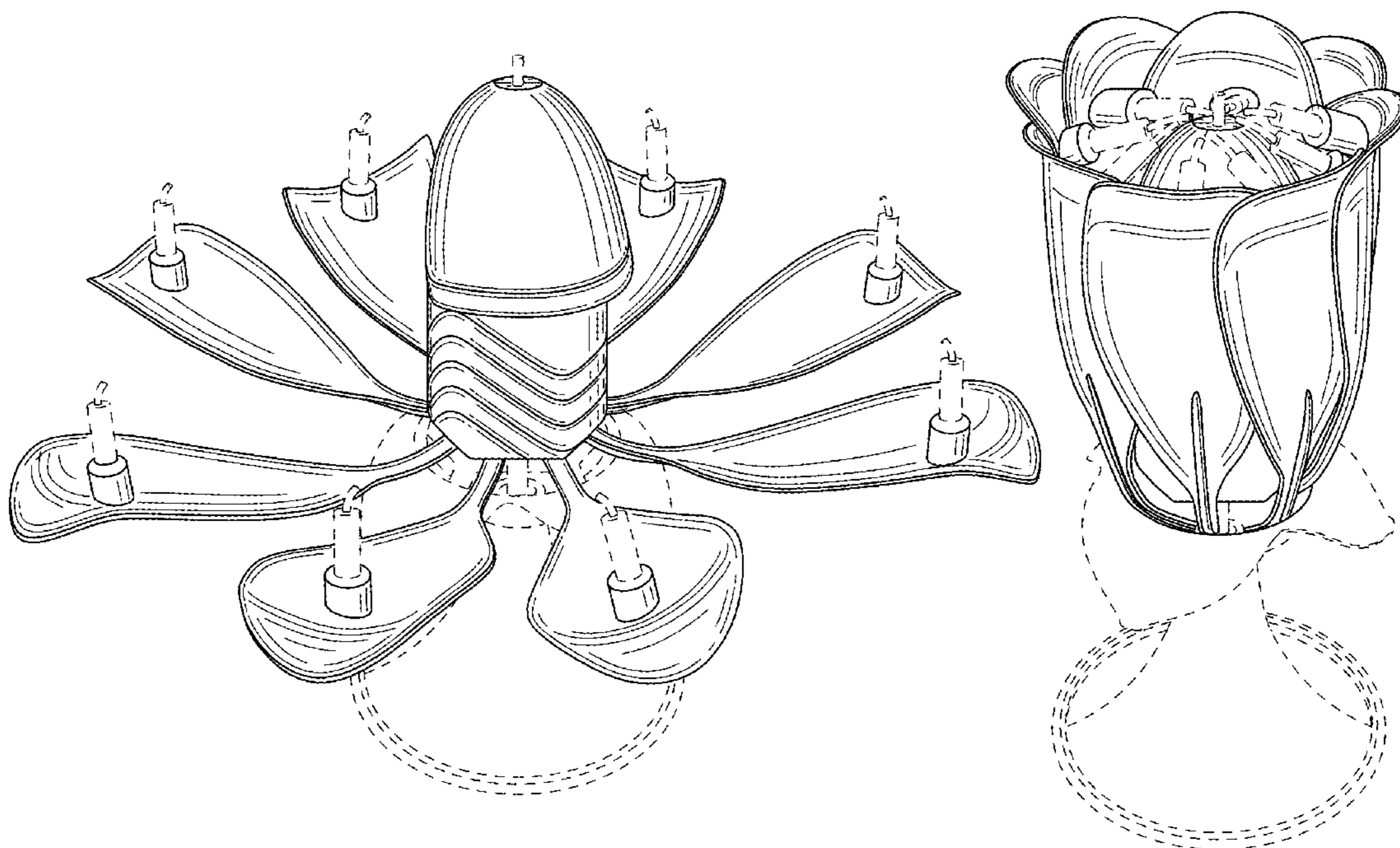
(57) **CLAIM**

The ornamental design for a candle holder, as shown and described.

DESCRIPTION

FIG. 1 is a perspective view of the top and side of a candle holder in an open position;
 FIG. 2 is a perspective view of the top and side of the candle holder in a closed position;
 FIG. 3 is an elevational view of the side of the candle holder in the open position;
 FIG. 4 is an elevational view of the side of the candle holder in the closed position;
 FIG. 5 is an elevational view of the front of the candle holder in the open position;
 FIG. 6 is an elevational view of the front of the candle holder in the closed position;
 FIG. 7 is a plan top view of the candle holder in the open position; and,
 FIG. 8 is a plan top view of the candle holder in the closed position.
 The broken lines shown in the drawings are for the purpose of illustrating portions of the article and form no part of the claimed design.

1 Claim, 4 Drawing Sheets



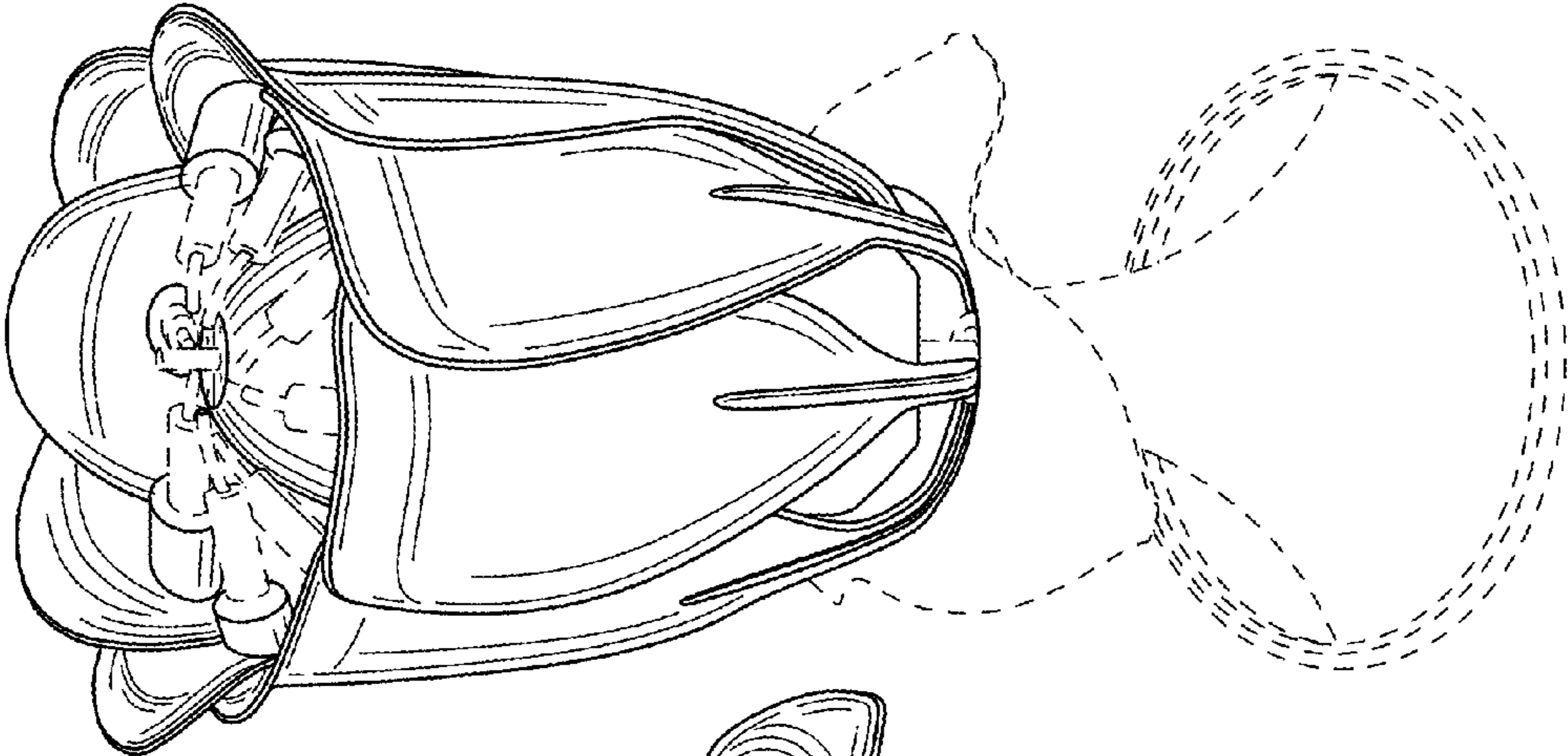


FIG. 2

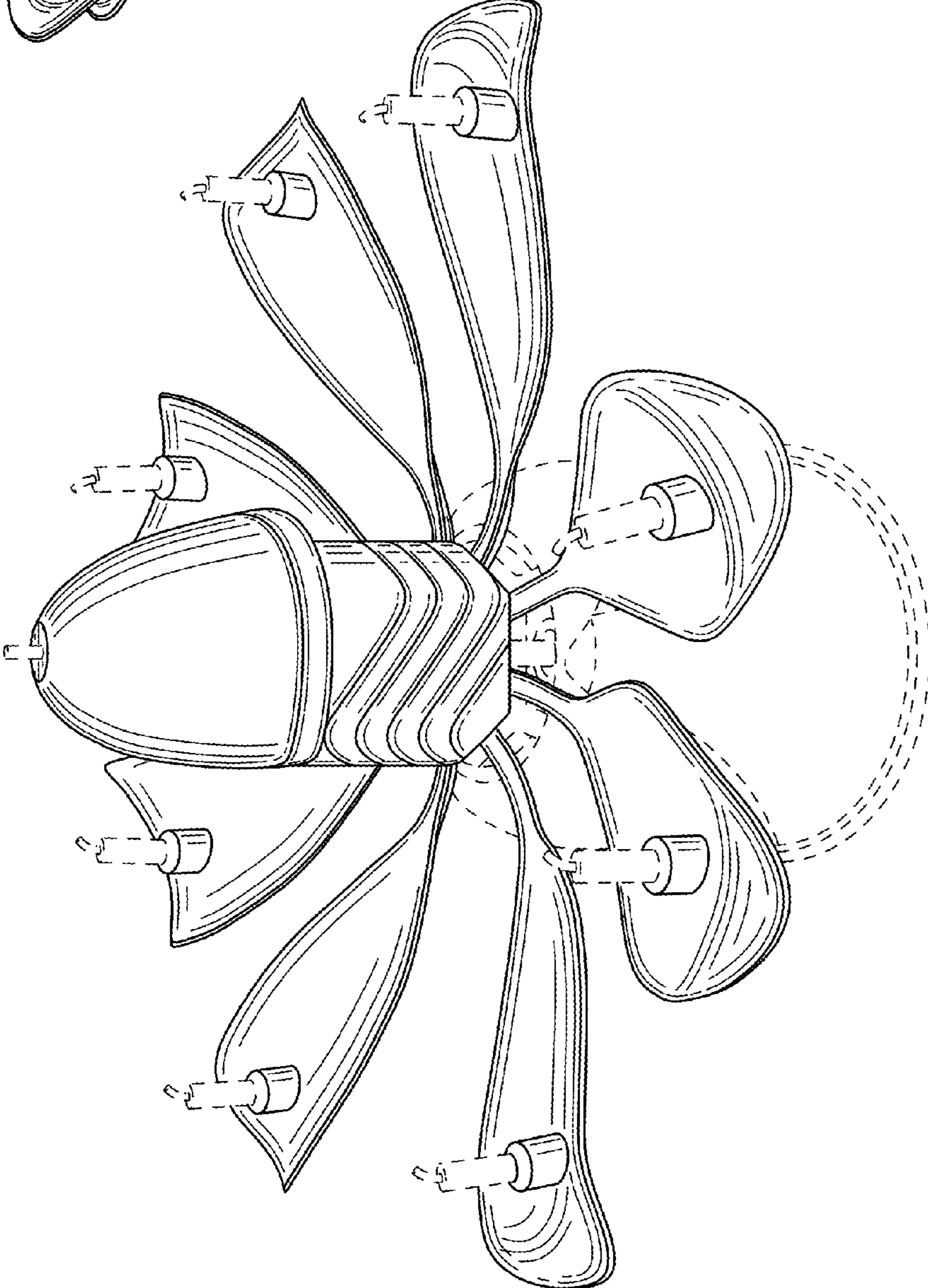


FIG. 1

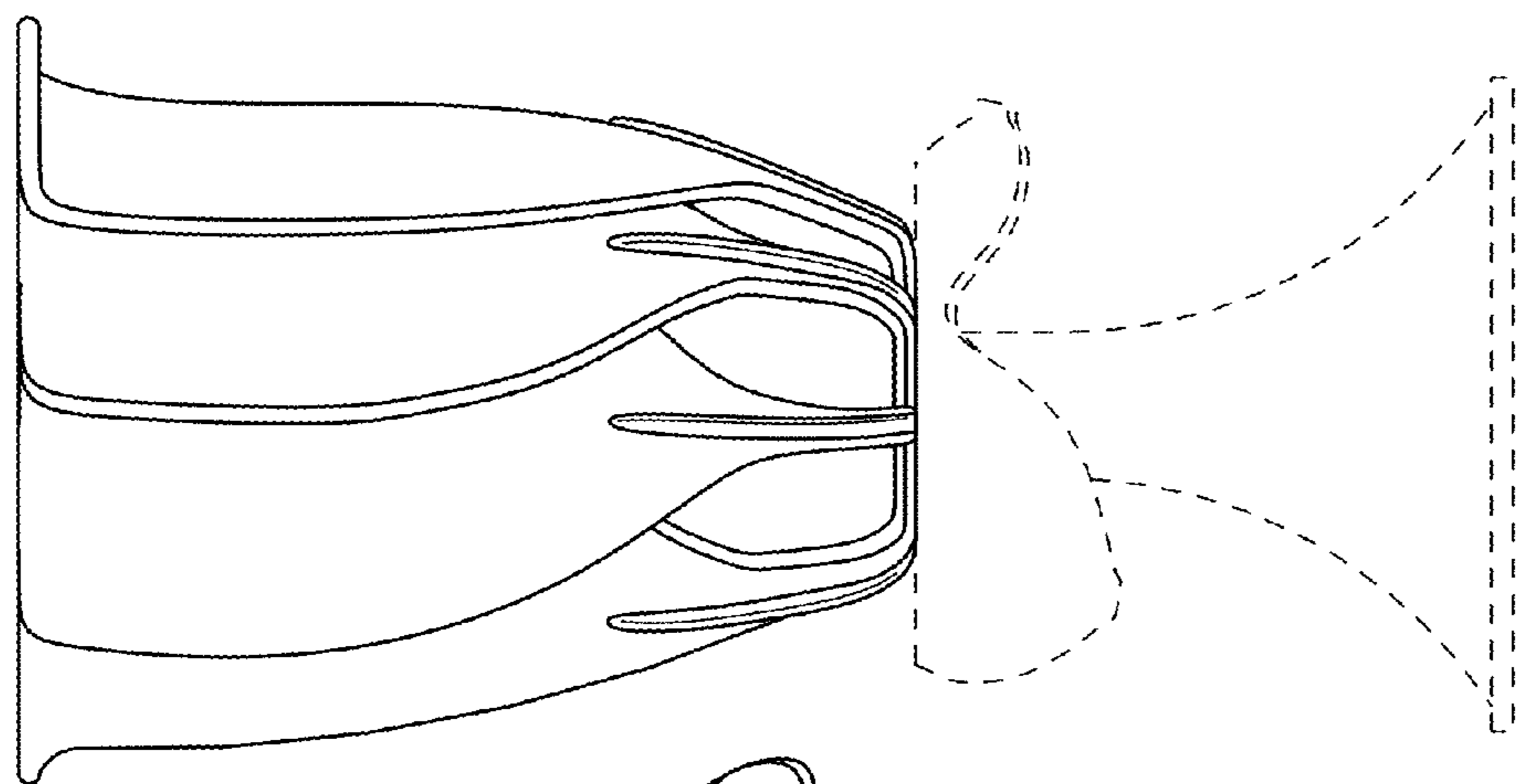


FIG. 4

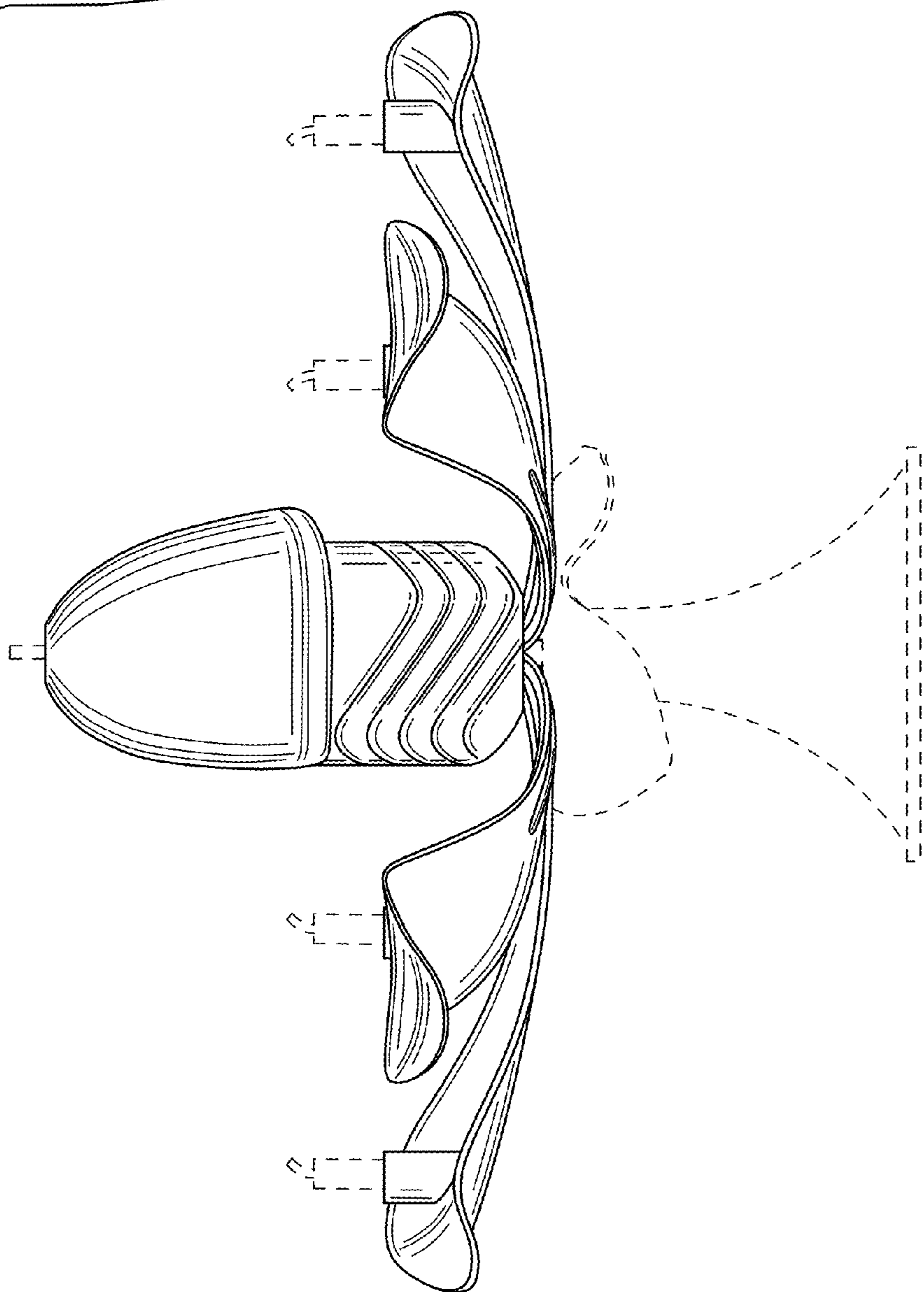


FIG. 3

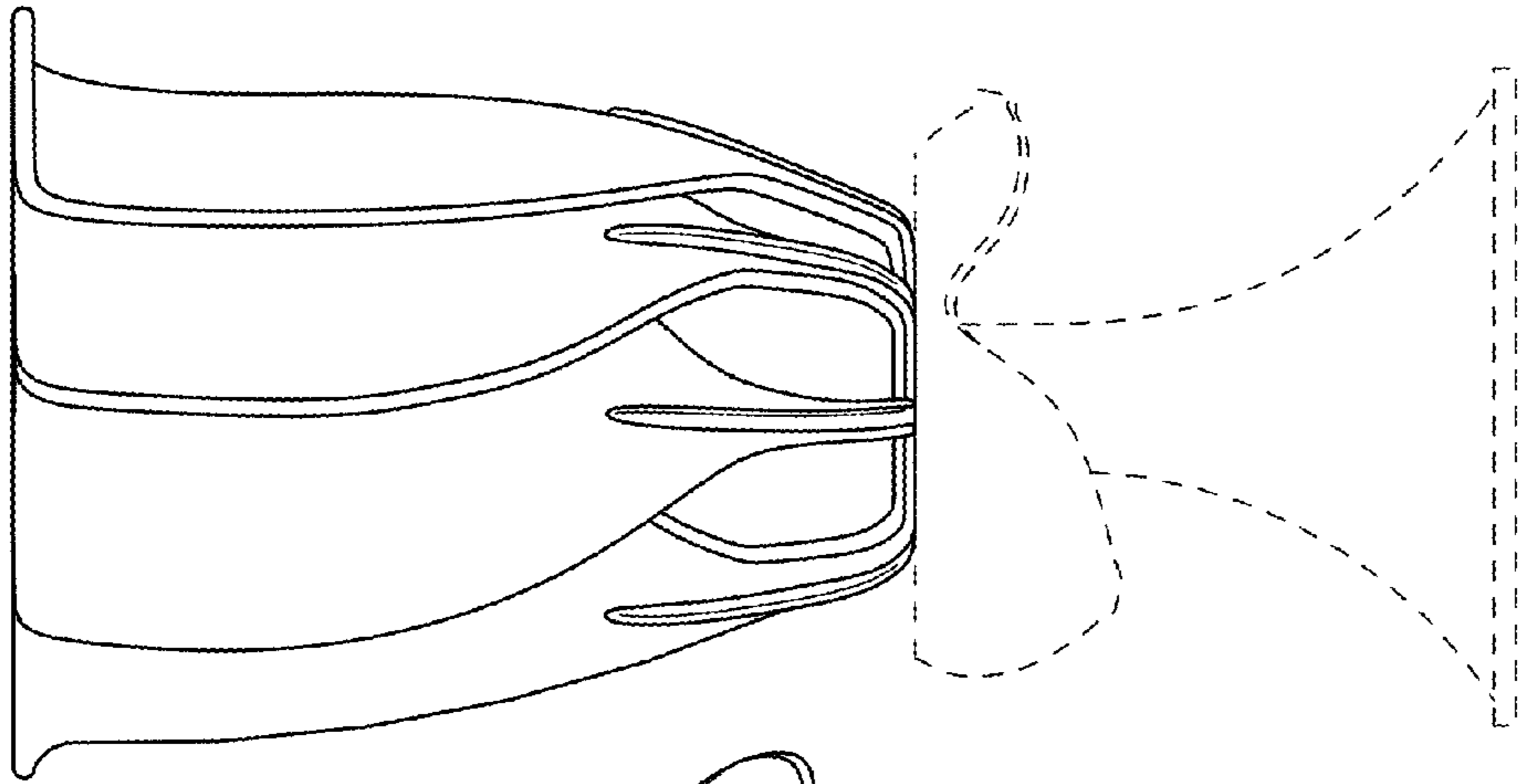


FIG. 6

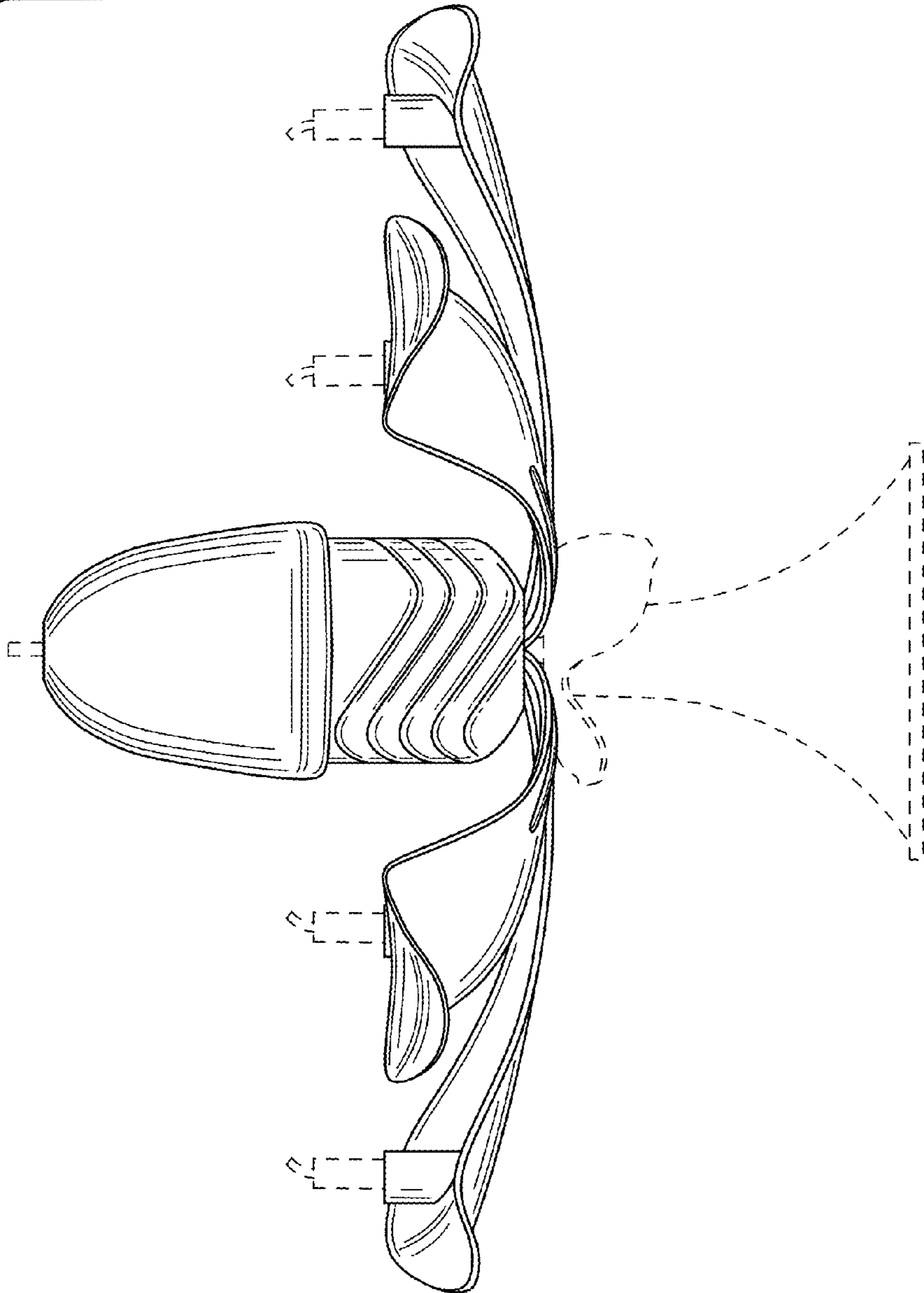


FIG. 5

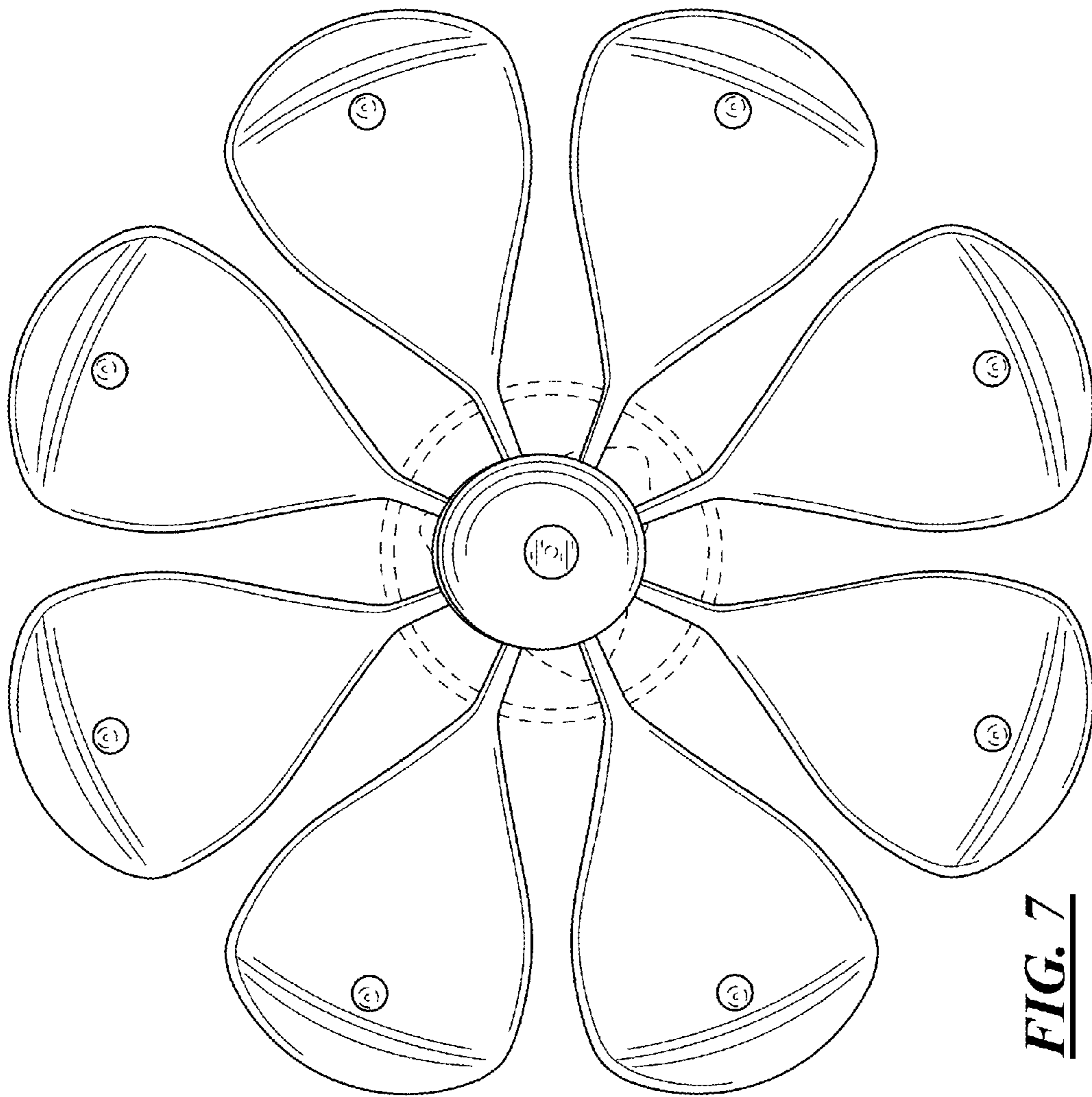


FIG. 7

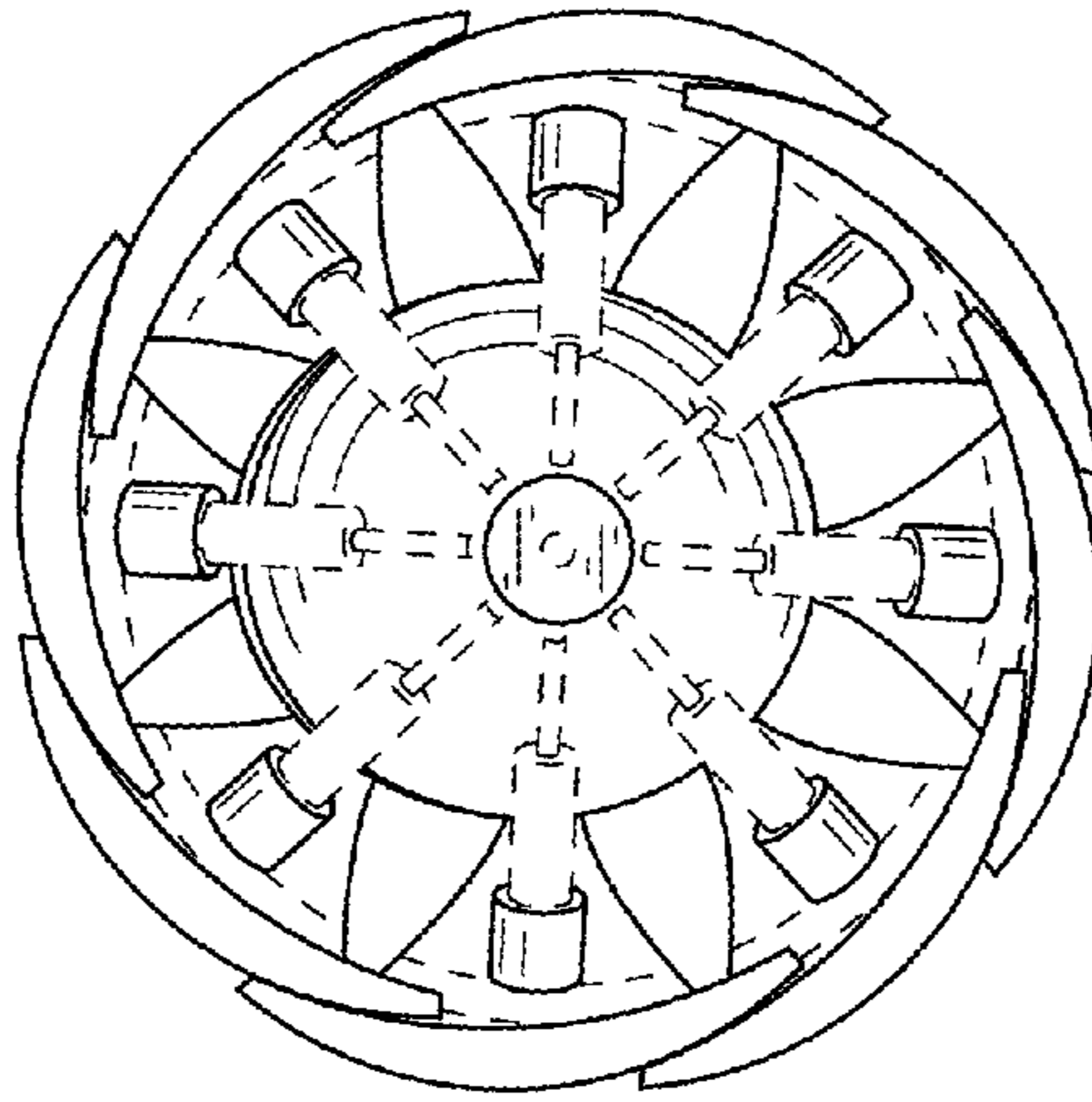


FIG. 8