



US00D754887S

(12) **United States Design Patent**
Huang et al.

(10) **Patent No.:** **US D754,887 S**
(45) **Date of Patent:** **** Apr. 26, 2016**

(54) **LED LAMP**
(71) Applicant: **Cree, Inc.**, Durham, NC (US)
(72) Inventors: **Yaote Huang**, Morrisville, NC (US);
Michael Hash, Raleigh, NC (US)
(73) Assignee: **Cree, Inc.**, Durham, NC (US)
(**) Term: **14 Years**
(21) Appl. No.: **29/498,768**
(22) Filed: **Aug. 7, 2014**
(51) **LOC (10) Cl.** **26-06**
(52) **U.S. Cl.**
USPC **D26/2**
(58) **Field of Classification Search**
USPC D26/1-4; 313/313, 315, 316, 317, 318,
313/493; 315/52, 53, 56, 57, 58
CPC H01J 5/48; H01J 5/50; H01J 19/54;
F21V 5/00
See application file for complete search history.

(56) **References Cited**
U.S. PATENT DOCUMENTS
D545,457 S * 6/2007 Chen D26/2
D584,428 S * 1/2009 Li D26/2
(Continued)

OTHER PUBLICATIONS
U.S. Appl. No. 29/434,289, filed Oct. 11, 2012.
U.S. Appl. No. 29/435,254, filed Oct. 22, 2012.
U.S. Appl. No. 29/484,541, filed Mar. 11, 2014.
(Continued)

Primary Examiner — Marcus Jackson
(74) *Attorney, Agent, or Firm* — Dennis J. Williamson;
Moore & Van Allen PLLC

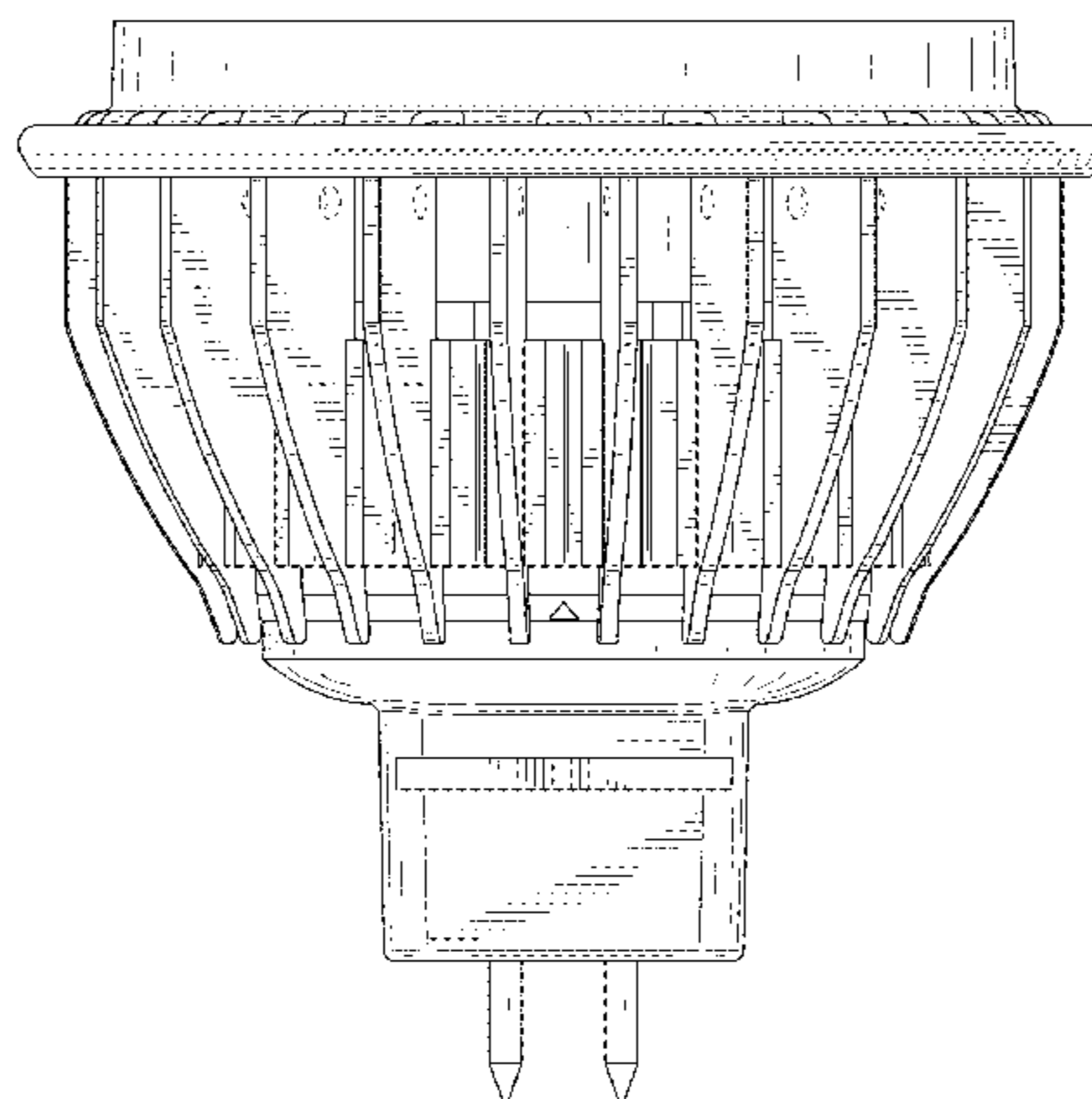
(57) **CLAIM**
We claim the ornamental design for a LED lamp, as shown
and described.

DESCRIPTION

FIG. 1 is a front view showing an embodiment of my new
design for a LED lamp;
FIG. 2 is a right side view showing my new design shown in
FIG. 1;

FIG. 3 is a left side view showing my new design shown in
FIG. 1;
FIG. 4 is a back view showing my new design shown in FIG.
1;
FIG. 5 is a top view showing my new design shown in FIG. 1;
FIG. 6 is a bottom view showing my new design shown in
FIG. 1;
FIG. 7 is a bottom perspective view showing my new design
shown in FIG. 1;
FIG. 8 is a top perspective view showing my new design
shown in FIG. 1;
FIG. 9 is a front view showing another embodiment of my
new design for a LED lamp;
FIG. 10 is a right side view showing my new design shown in
FIG. 9;
FIG. 11 is a left side view showing my new design shown in
FIG. 9;
FIG. 12 is a back view showing my new design shown in FIG.
9;
FIG. 13 is a top view showing my new design shown in FIG.
9;
FIG. 14 is a bottom view showing my new design shown in
FIG. 9;
FIG. 15 is a bottom perspective view showing my new design
shown in FIG. 9;
FIG. 16 is a top perspective view showing my new design
shown in FIG. 9;
FIG. 17 is a front view showing yet another embodiment of
my new design for a LED lamp;
FIG. 18 is a right side view showing my new design shown in
FIG. 17;
FIG. 19 is a left side view showing my new design shown in
FIG. 17;
FIG. 20 is a back view showing my new design shown in FIG.
17;
FIG. 21 is a top view showing my new design shown in FIG.
17;
FIG. 22 is a bottom view showing my new design shown in
FIG. 17;
FIG. 23 is a bottom perspective view showing my new design
shown in FIG. 17; and,
FIG. 24 is a top perspective view showing my new design
shown in FIG. 17.
The portions shown in broken lines are not part of the claimed
design but show the environment in which the design is asso-
ciated.

1 Claim, 24 Drawing Sheets



(56)

References Cited

U.S. PATENT DOCUMENTS

D587,384 S *	2/2009	Wei	D26/2
D592,766 S *	5/2009	Zhu	D26/2
D687,579 S	8/2013	Lu et al.	
D687,580 S	8/2013	Reier et al.	
D687,985 S *	8/2013	Tu	D26/2
D688,391 S	8/2013	Huang et al.	
D691,761 S	10/2013	Pratt et al.	
D693,948 S	11/2013	Reier et al.	
D702,375 S	4/2014	Pickard et al.	

OTHER PUBLICATIONS

U.S. Appl. No. 29/452,550, filed Apr. 18, 2013.
U.S. Appl. No. 29/489,654, filed May 1, 2014.
U.S. Appl. No. 29/491,583, filed May 22, 2014.
U.S. Appl. No. 29/492,058, filed May 28, 2014.
U.S. Appl. No. 29/499,296, filed Aug. 13, 2014.
U.S. Appl. No. 29/492,459, filed May 30, 2014.
U.S. Appl. No. 29/513,980, filed Jan. 7, 2015.
U.S. Appl. No. 29/492,950, filed Jun. 4, 2014.
U.S. Appl. No. 29/511,241, filed Dec. 9, 2014.

* cited by examiner

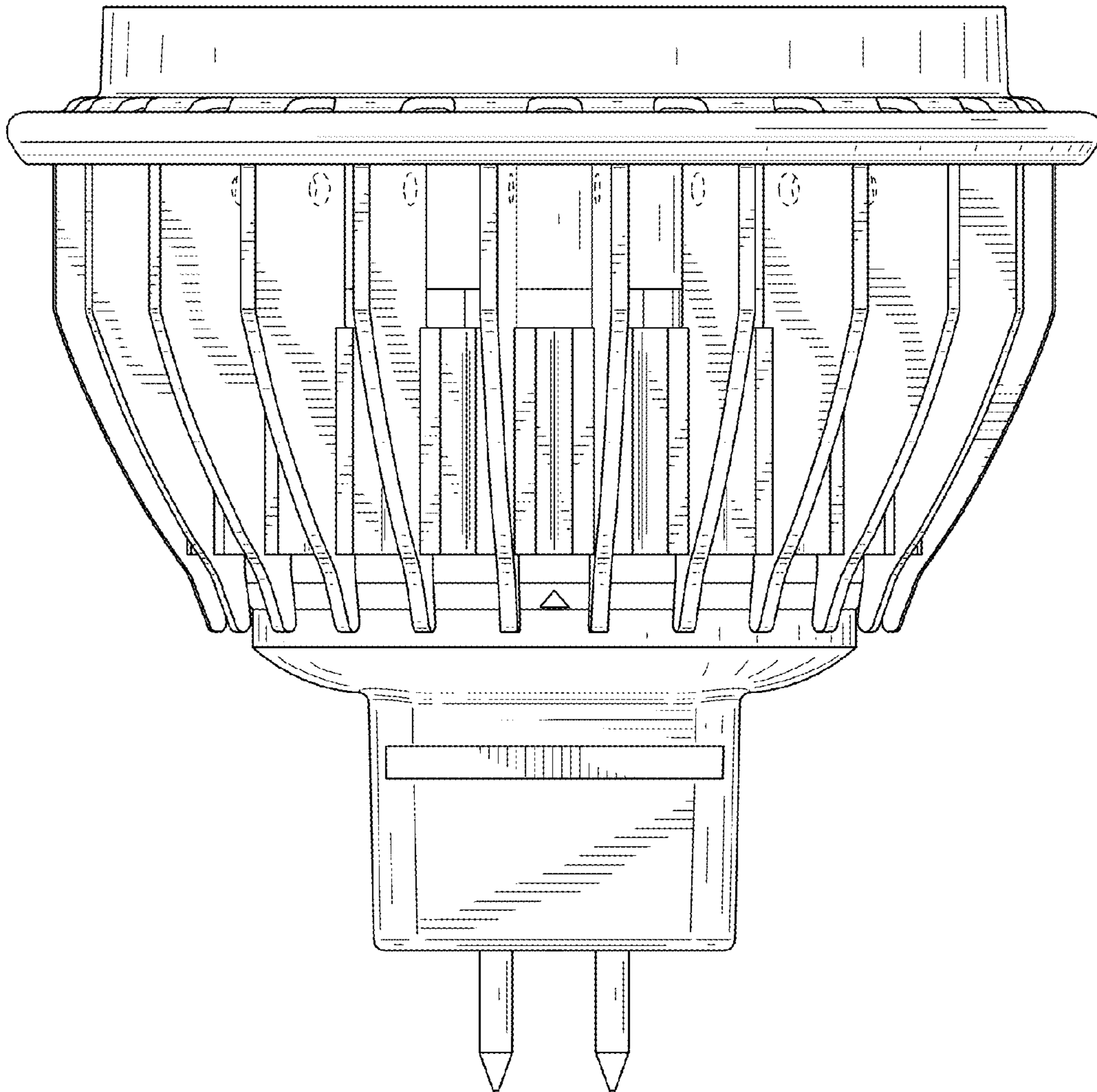


FIG. 1

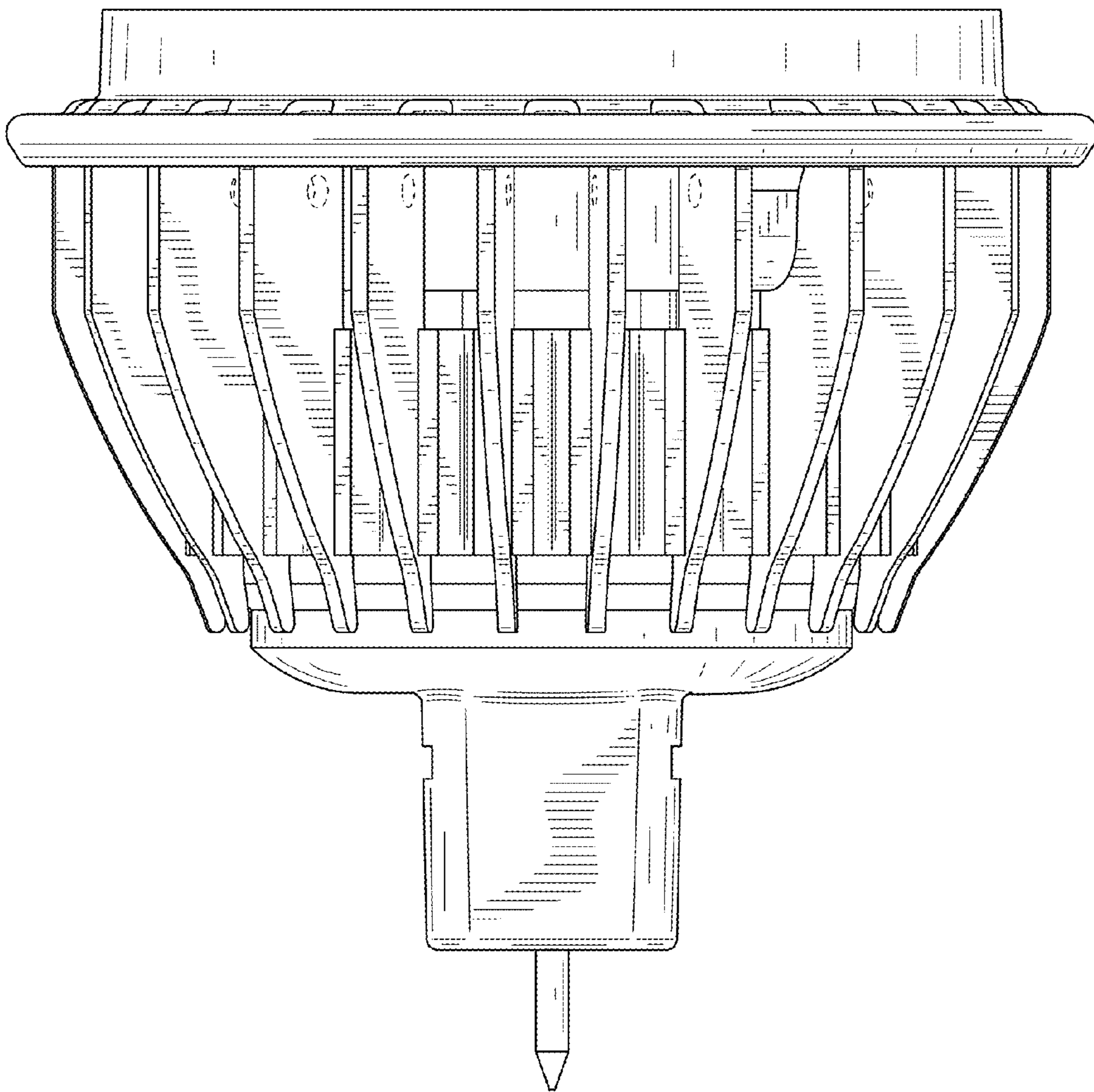


FIG. 2

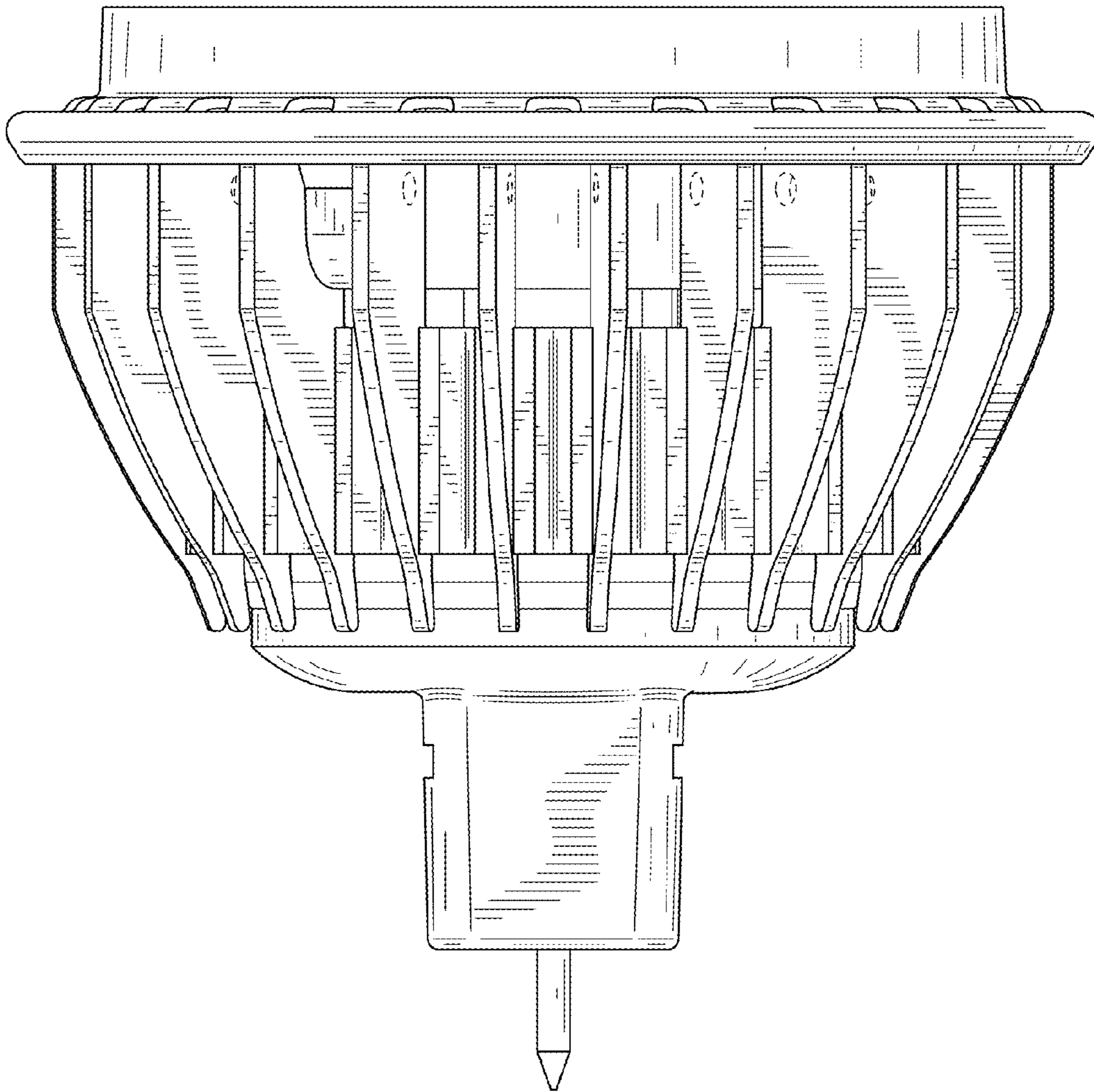


FIG. 3

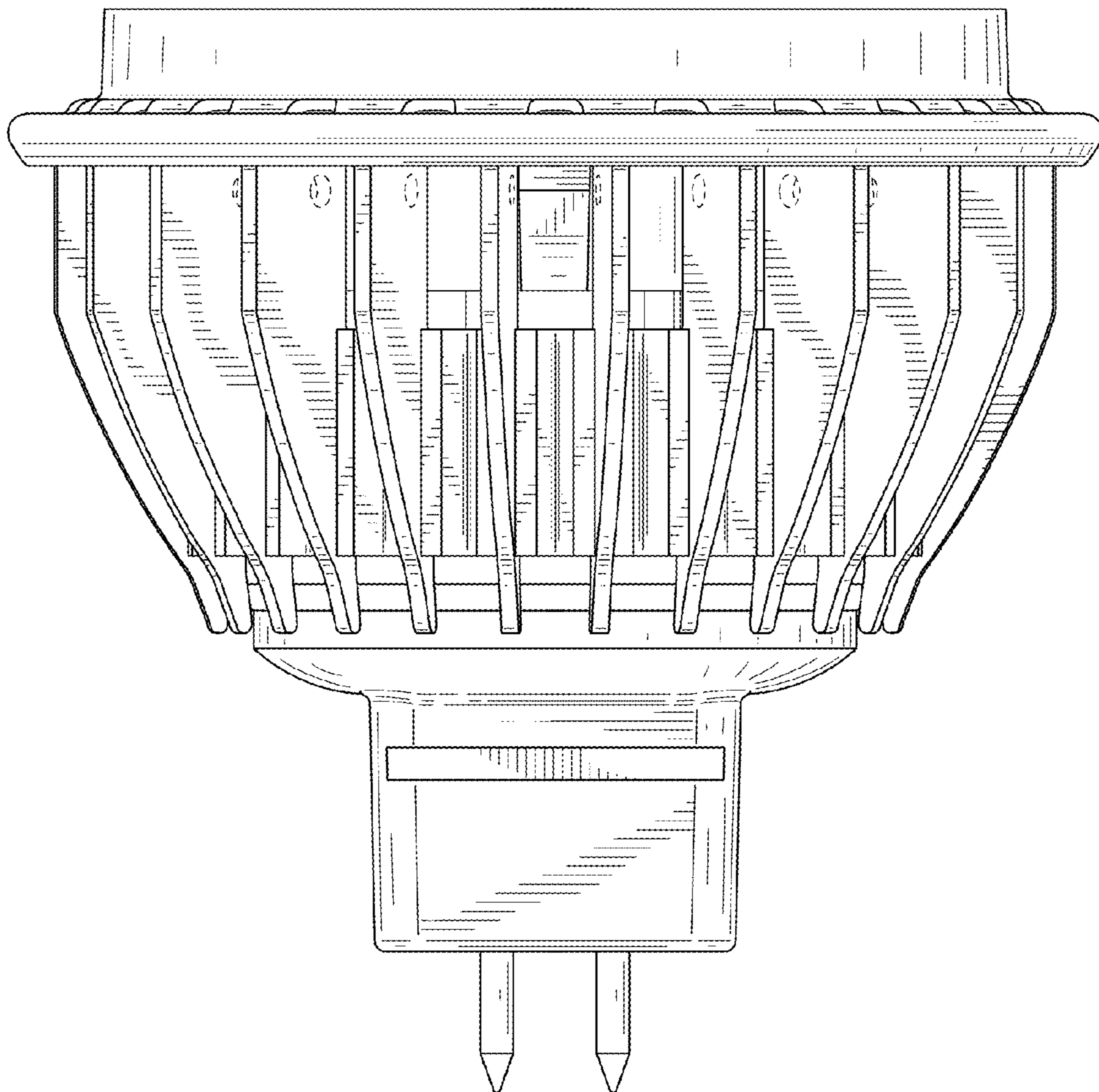


FIG. 4

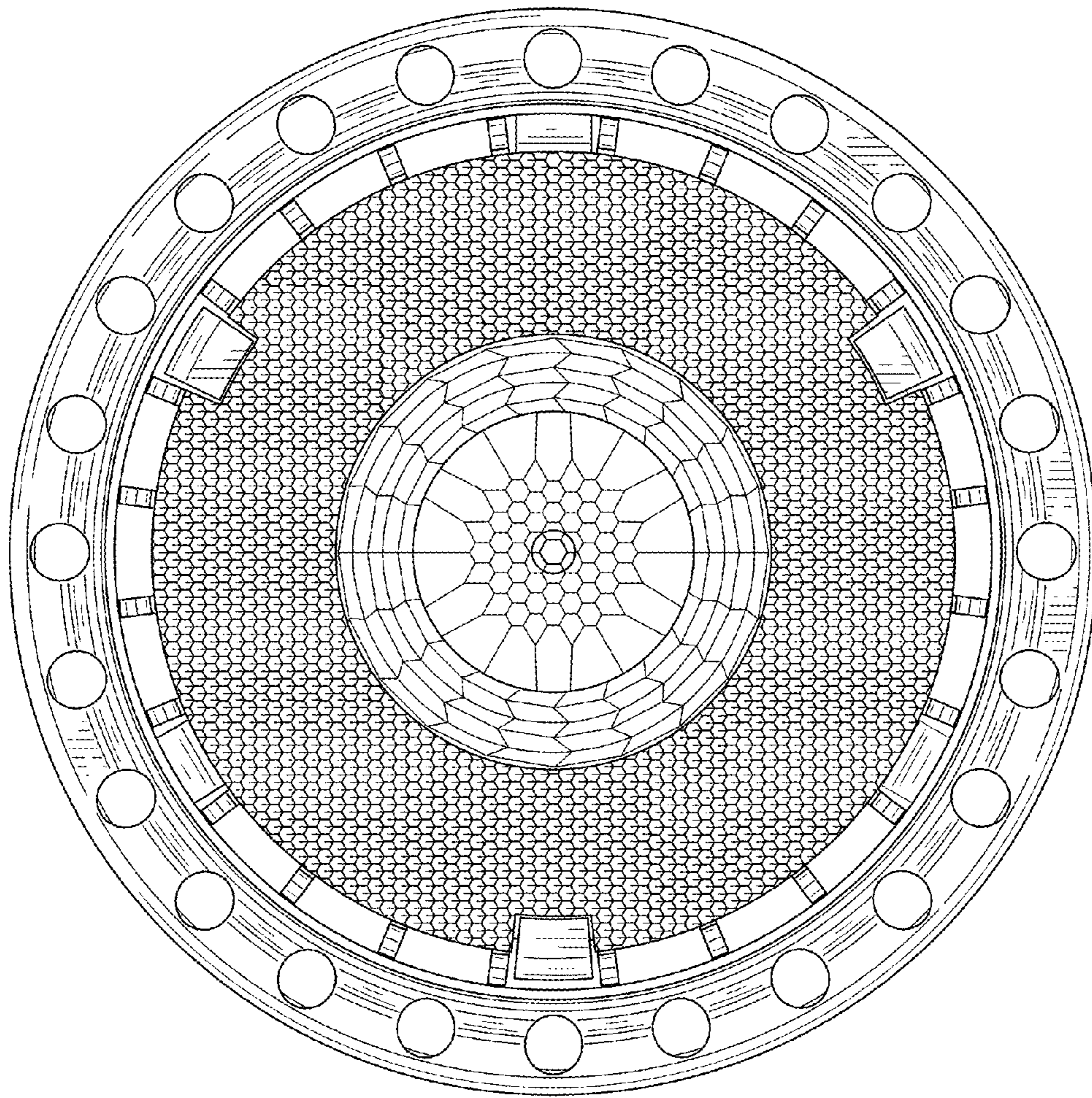


FIG. 5

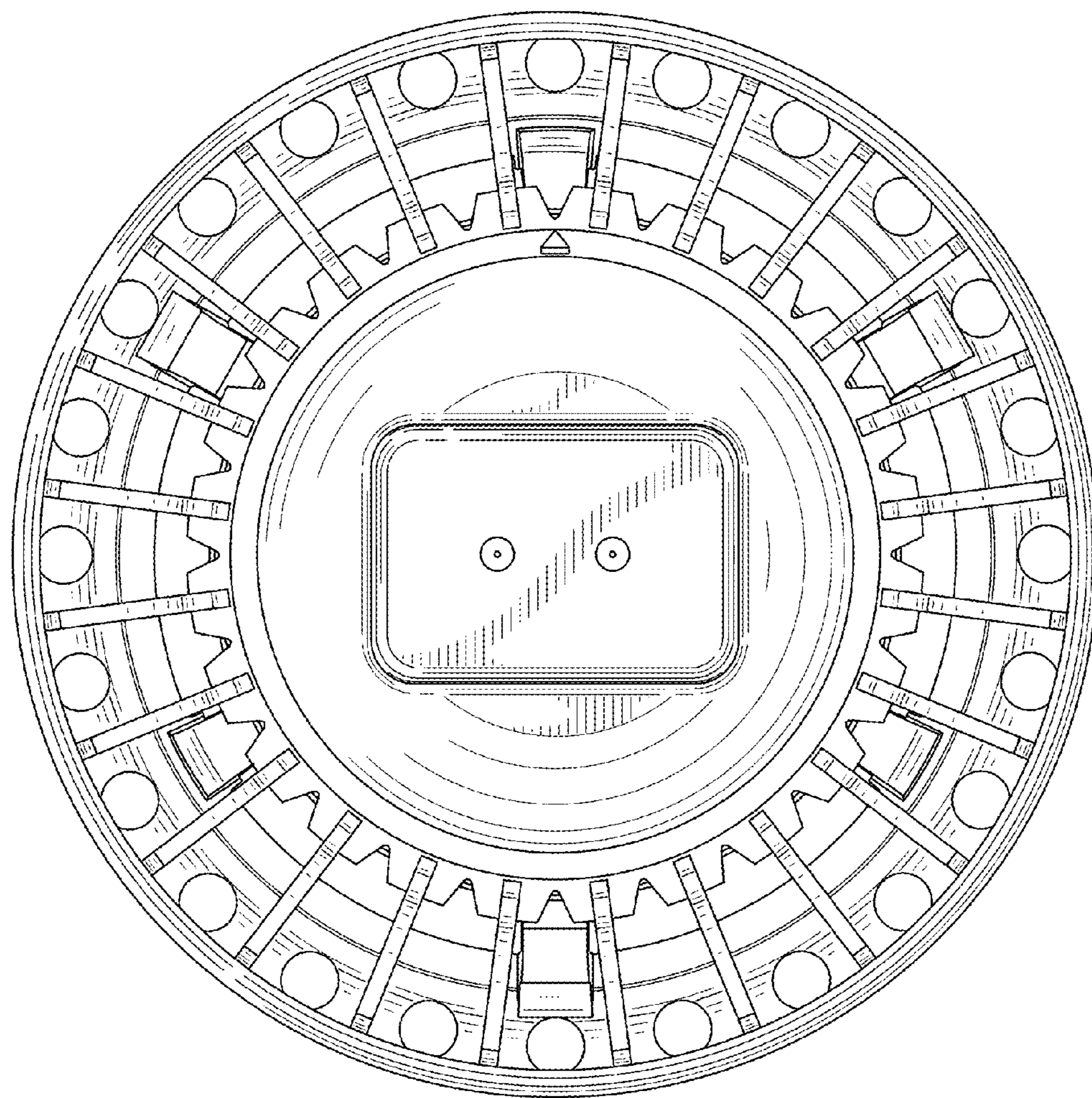


FIG. 6

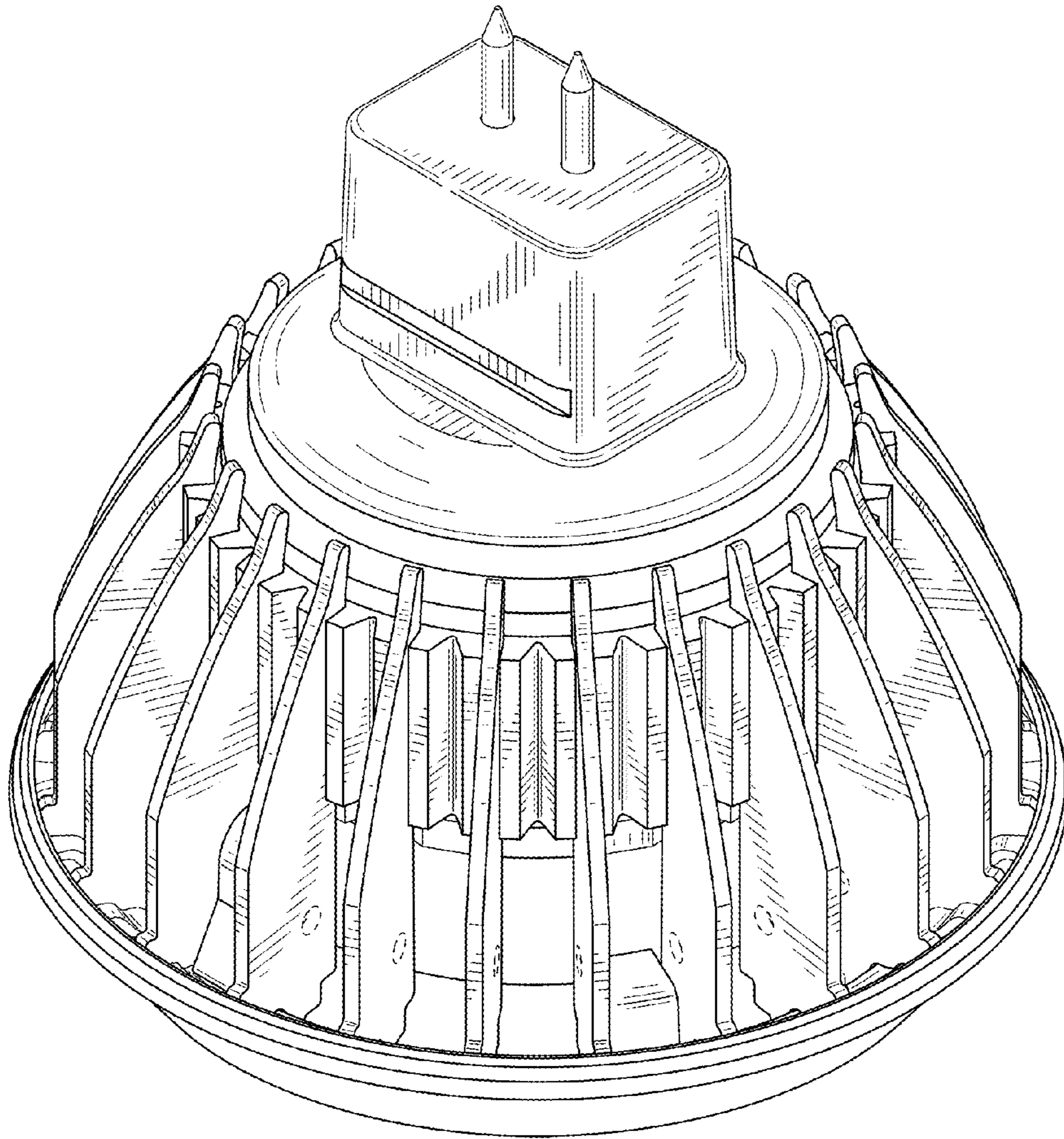


FIG. 7

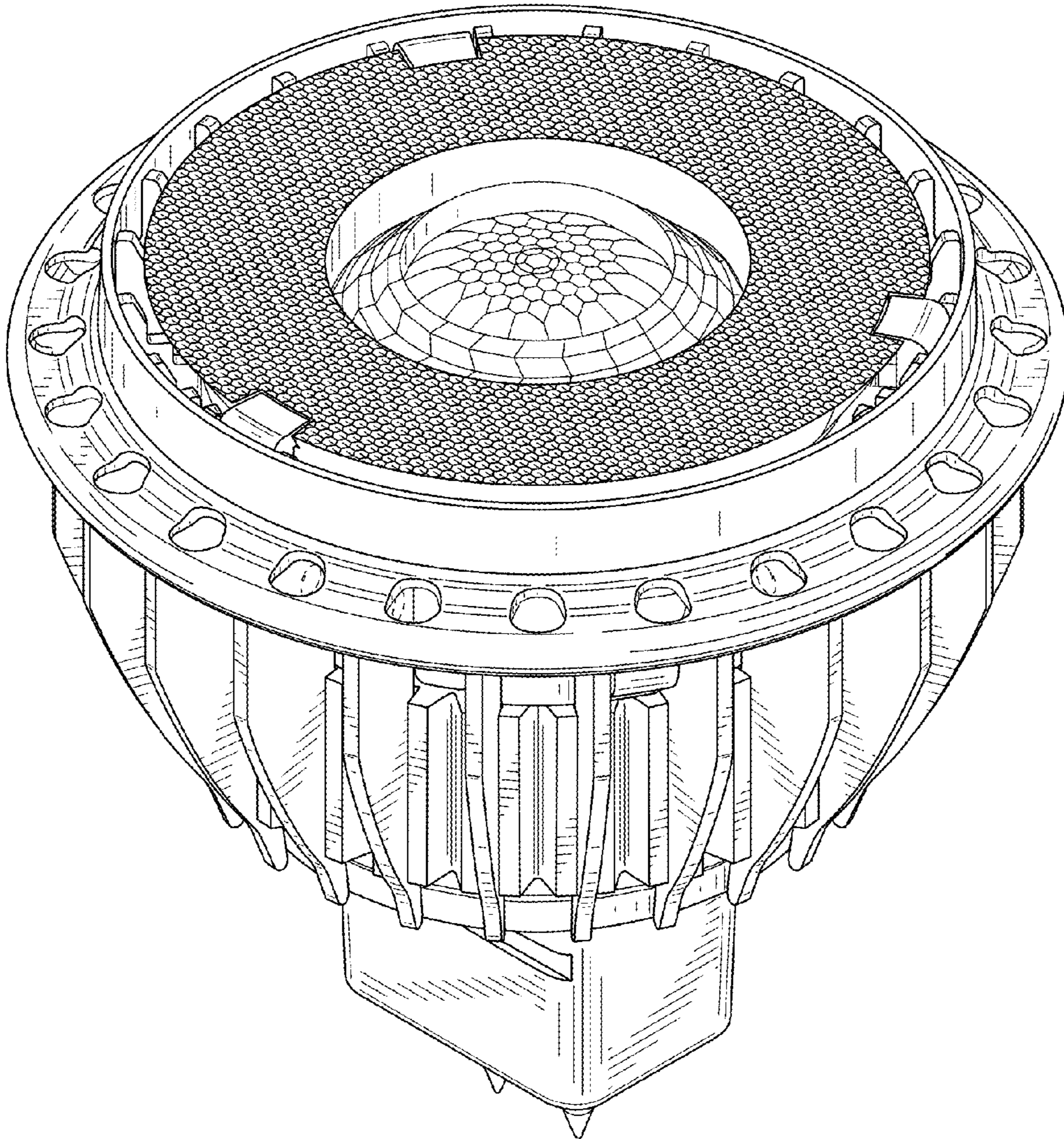


FIG. 8

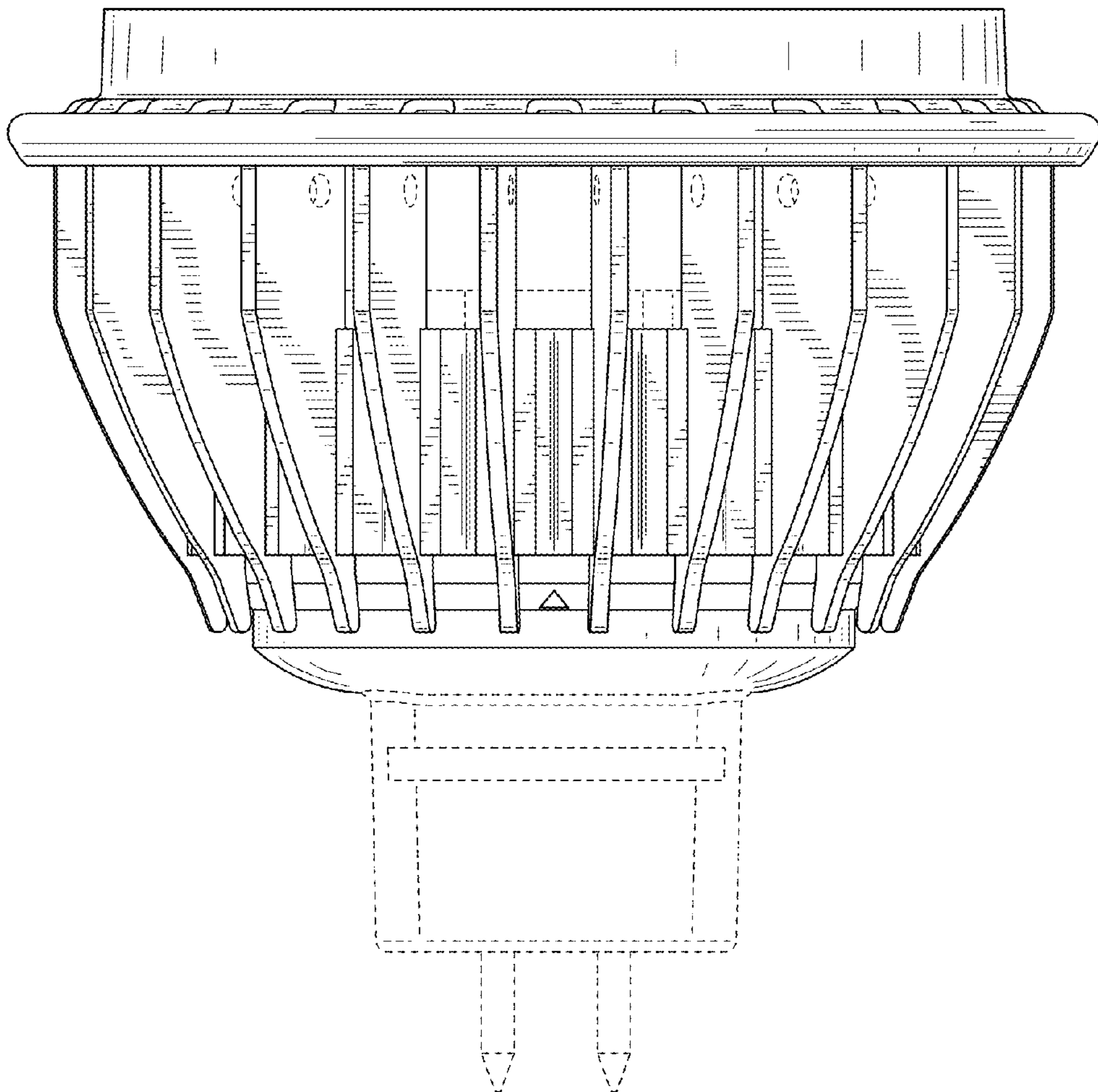


FIG. 9

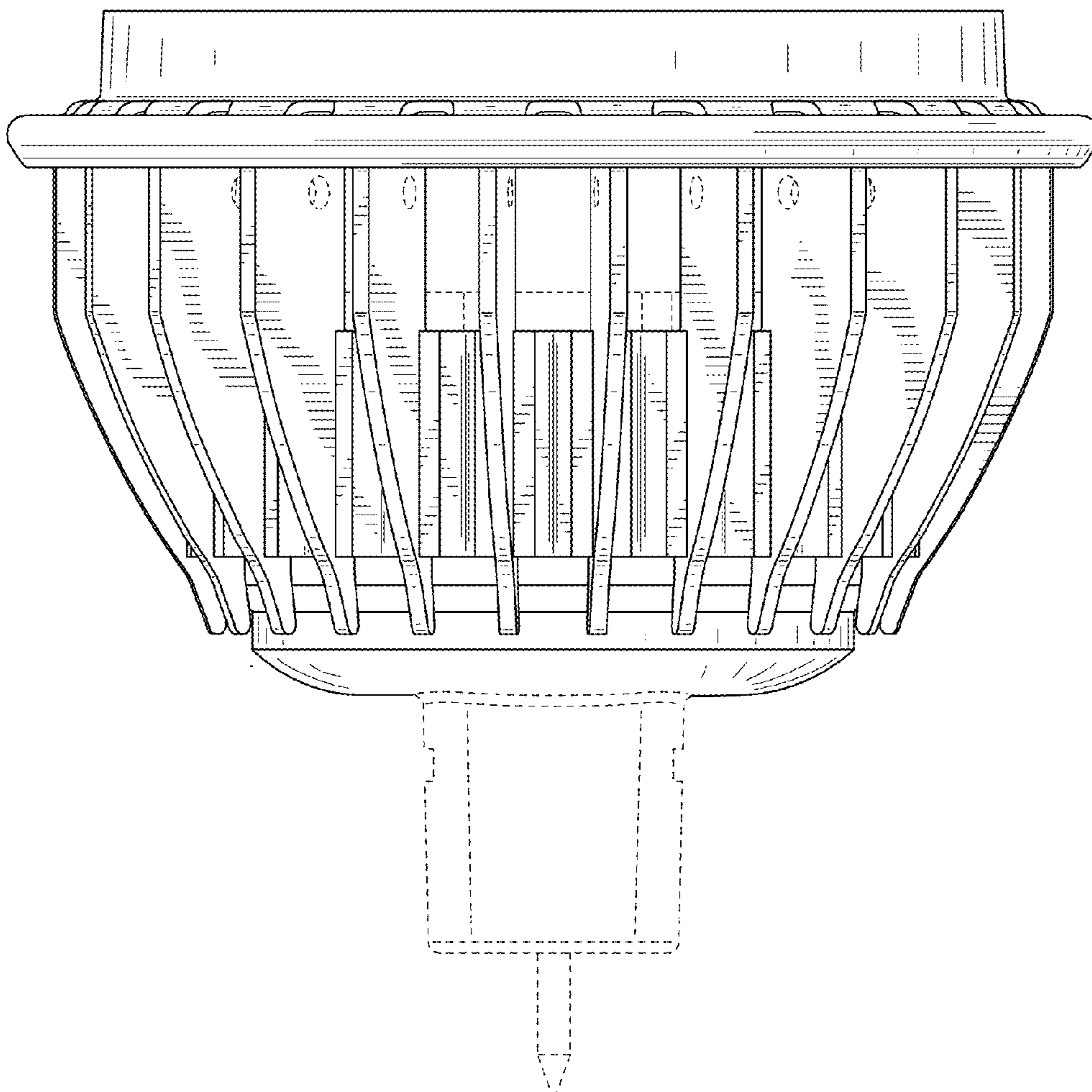


FIG. 10

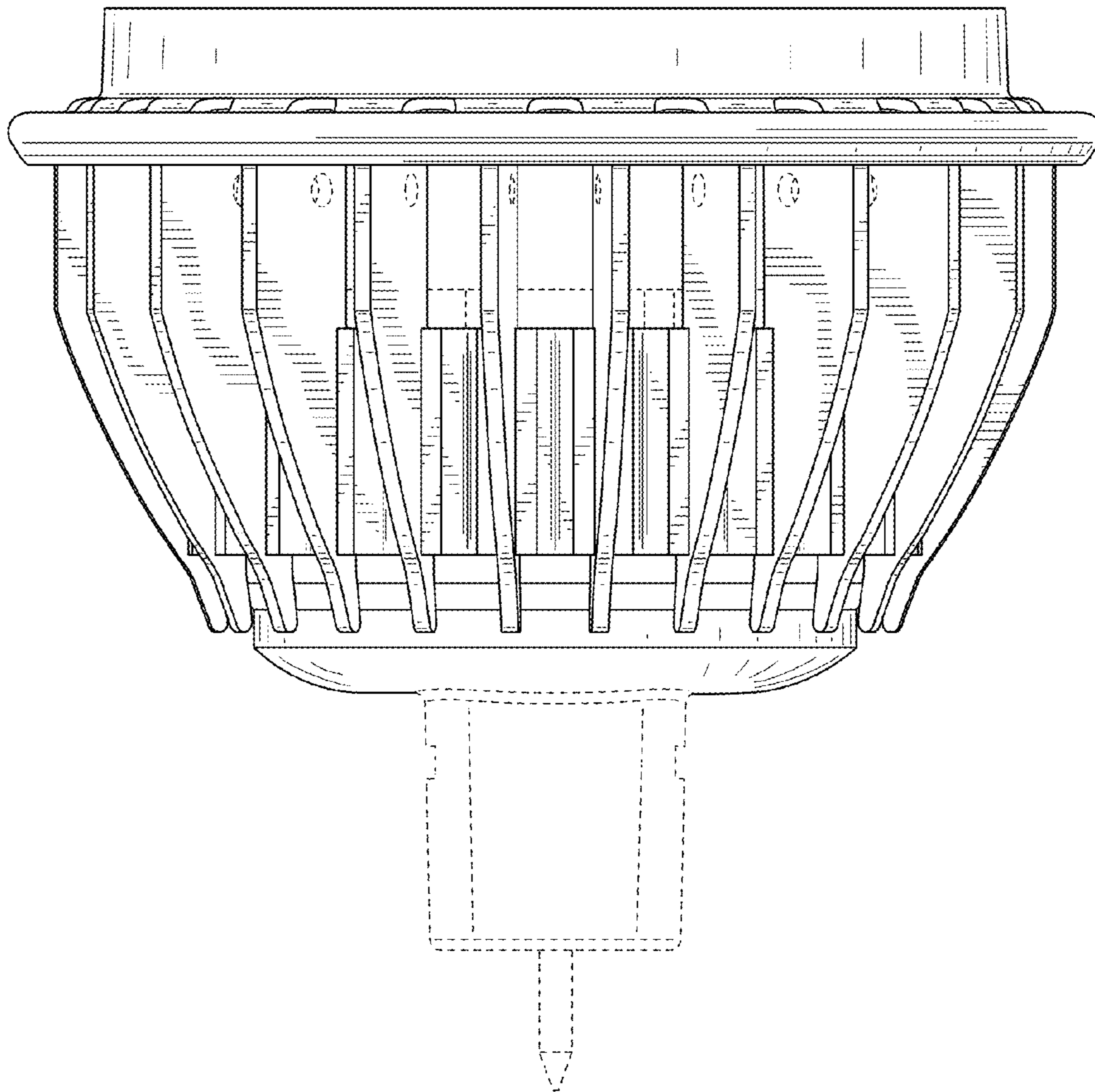


FIG. 11

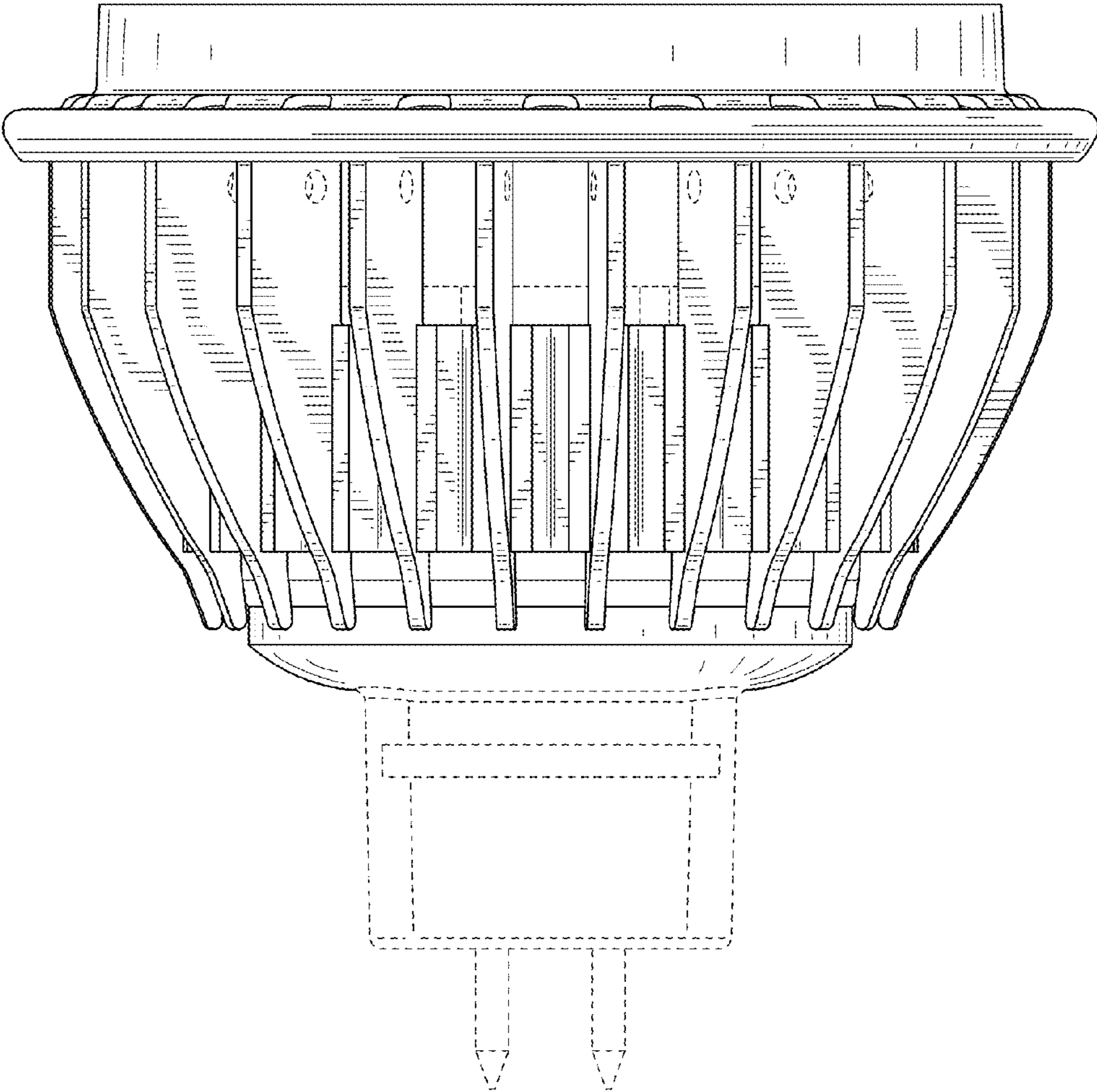


FIG. 12

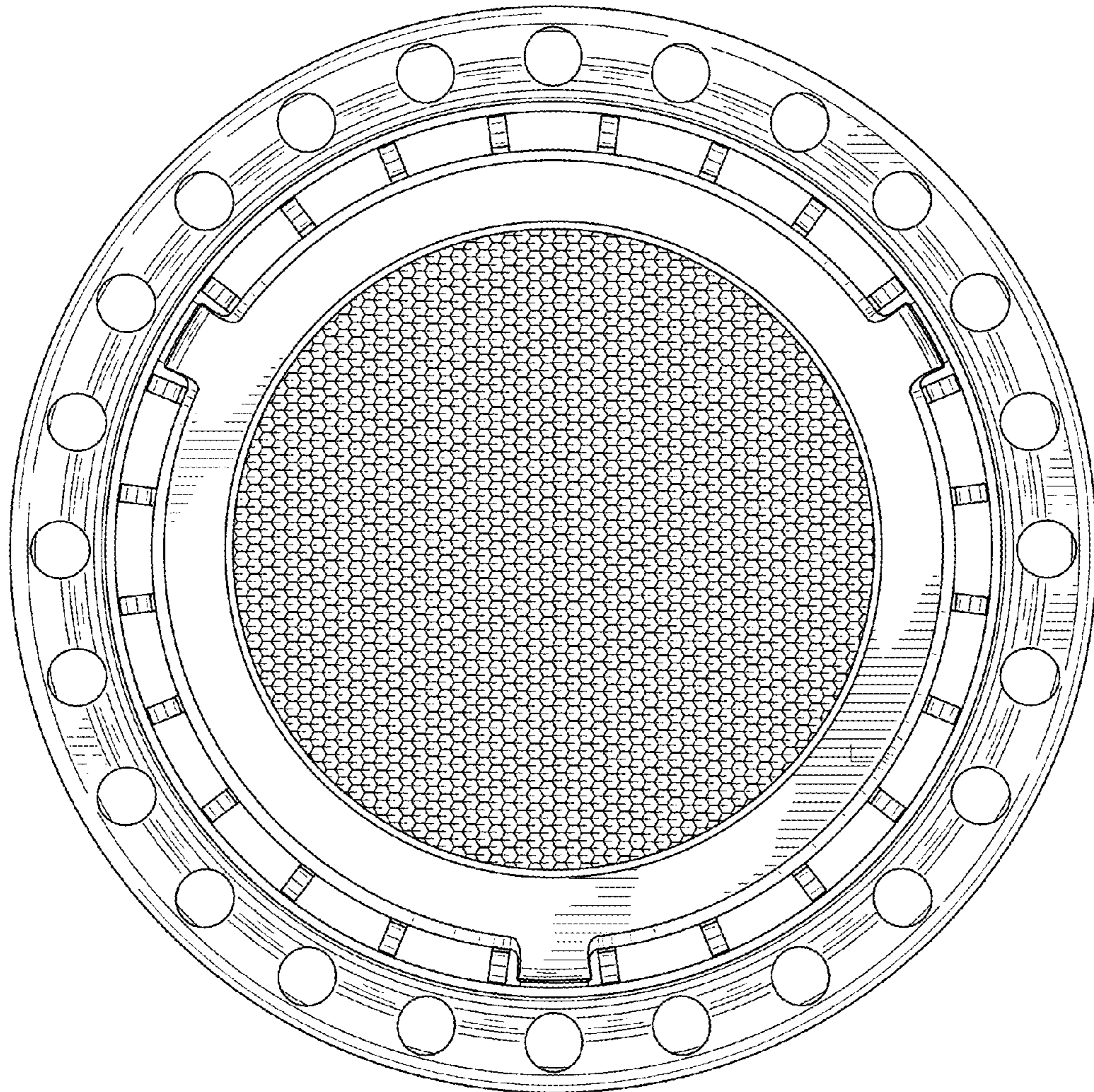


FIG. 13

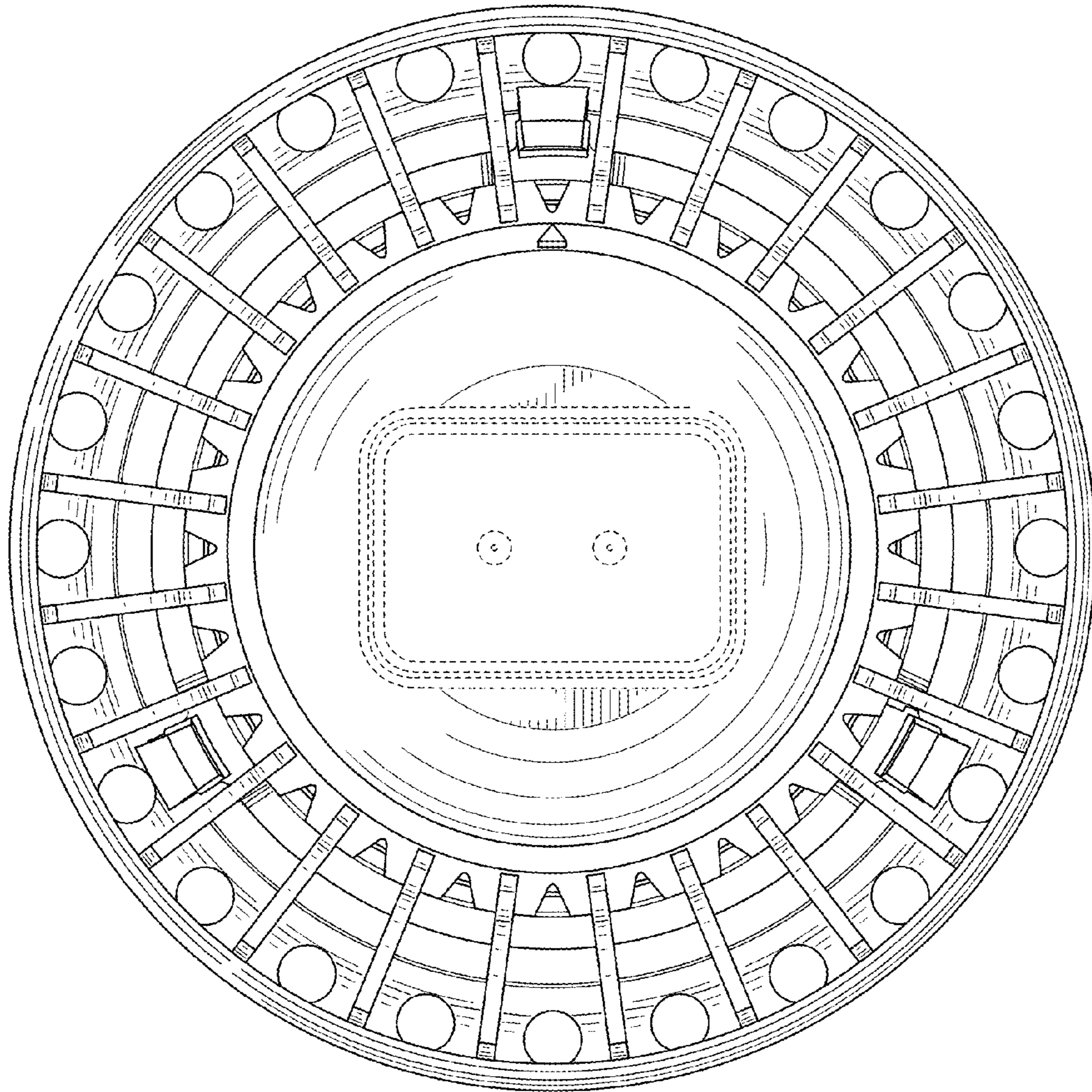


FIG. 14

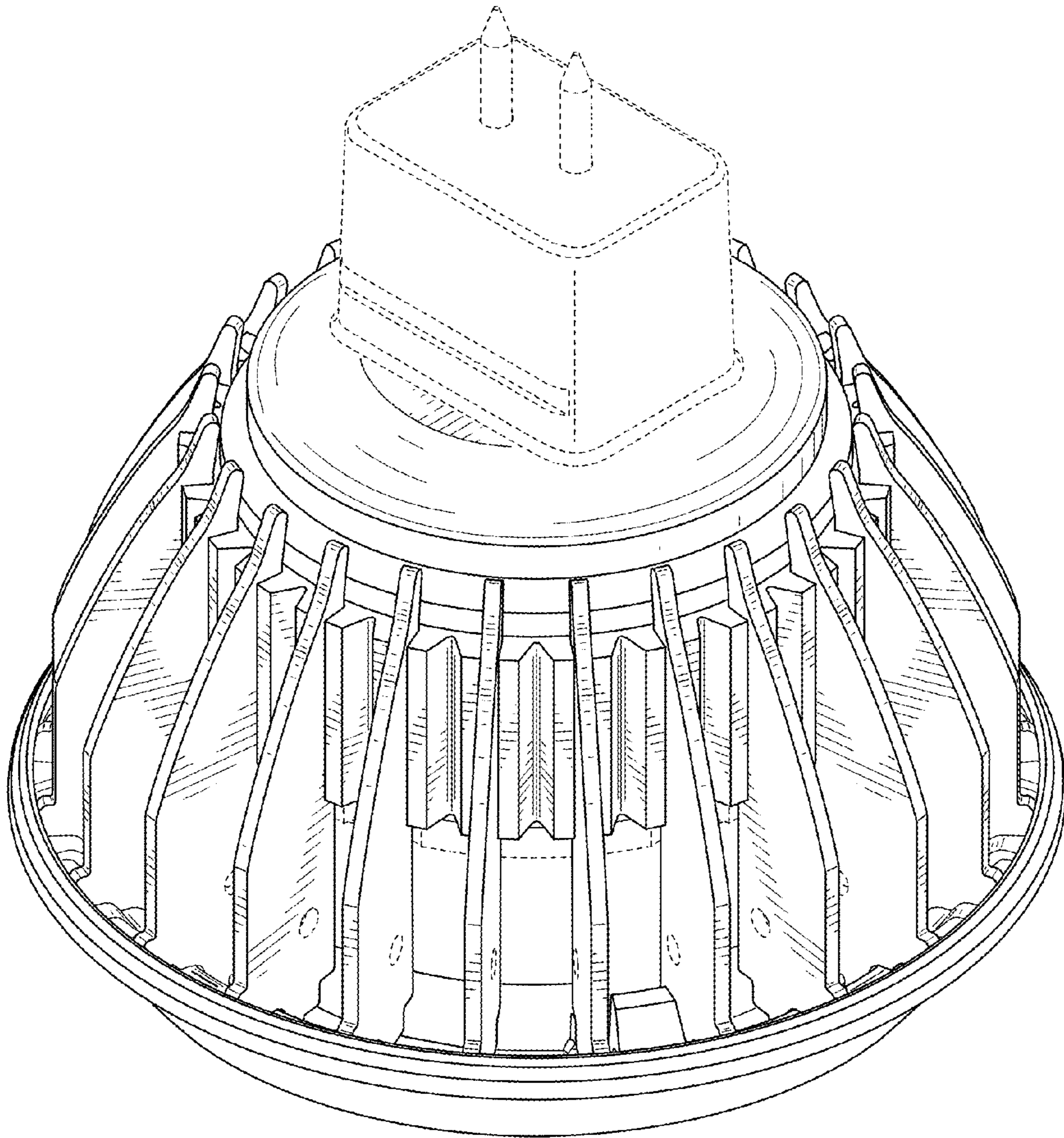


FIG. 15

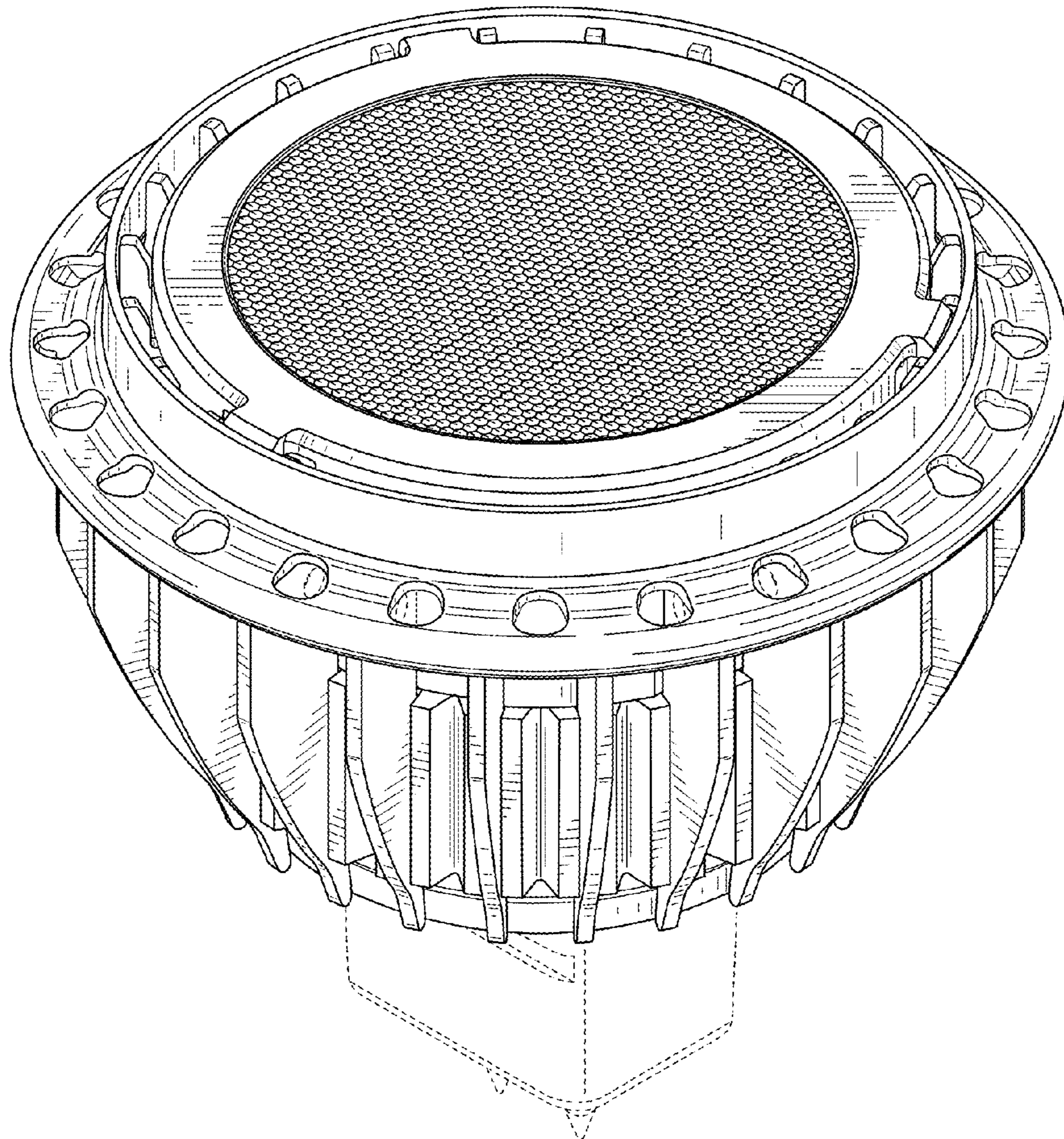


FIG. 16

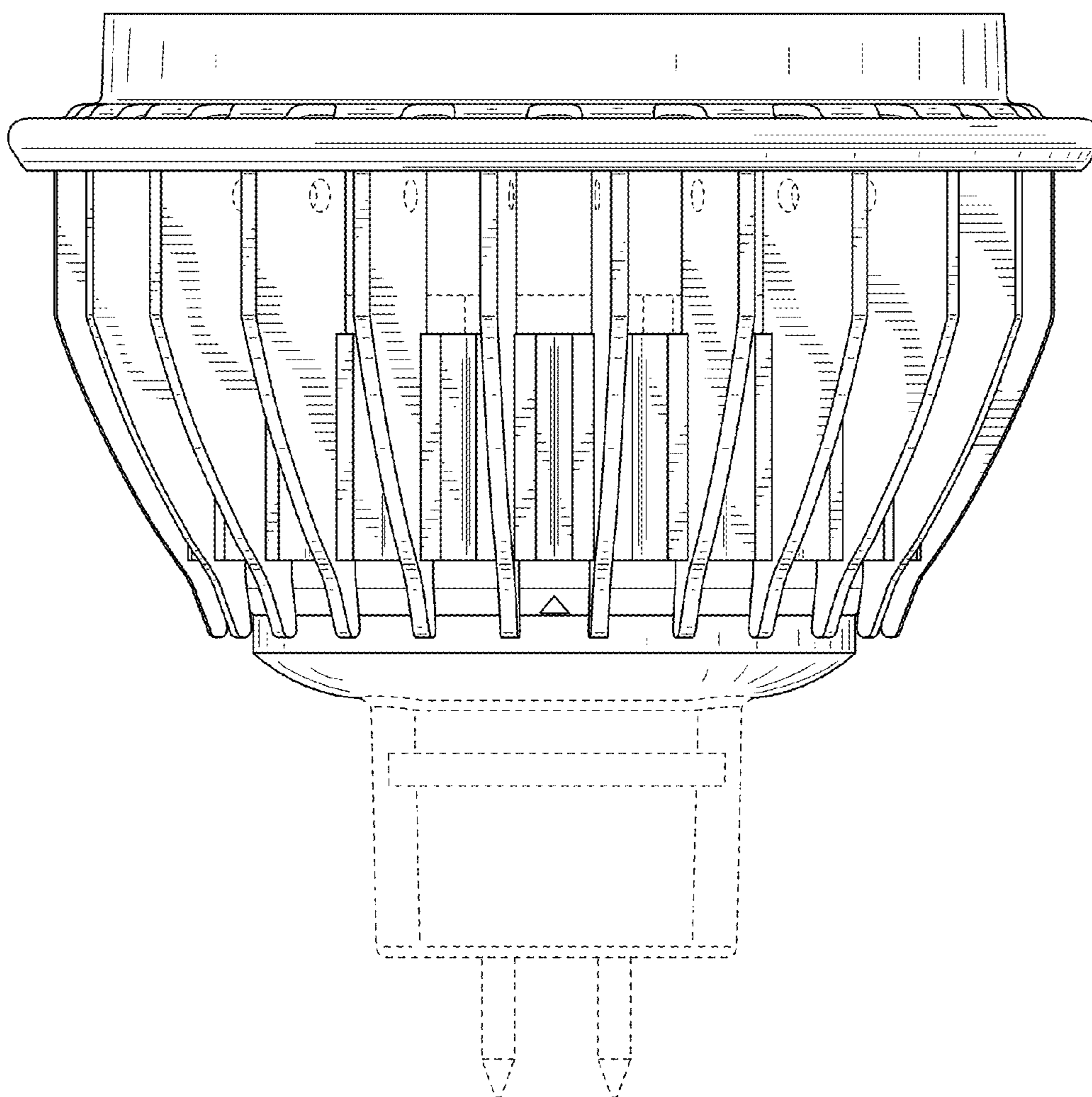


FIG. 17

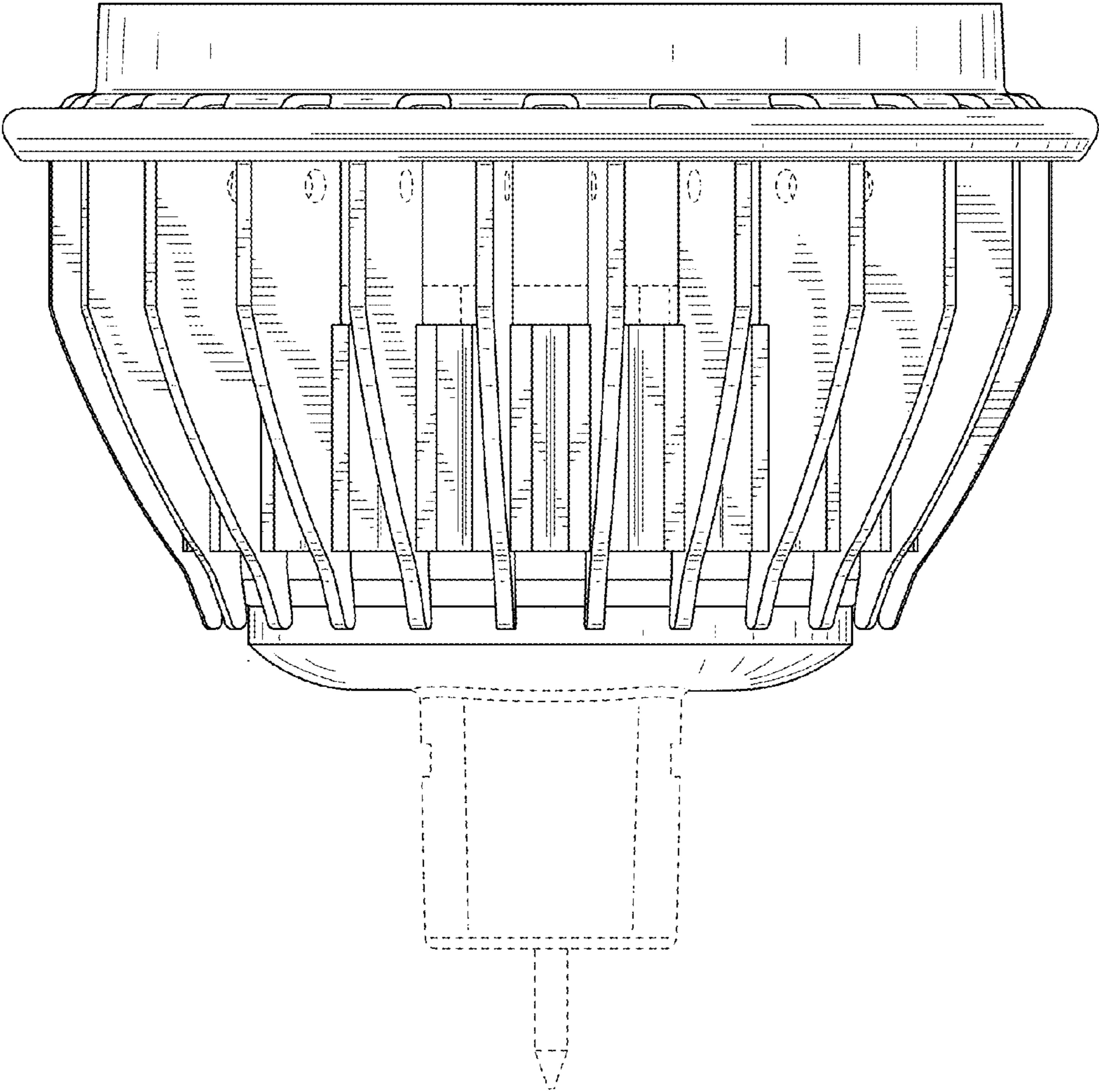


FIG. 18

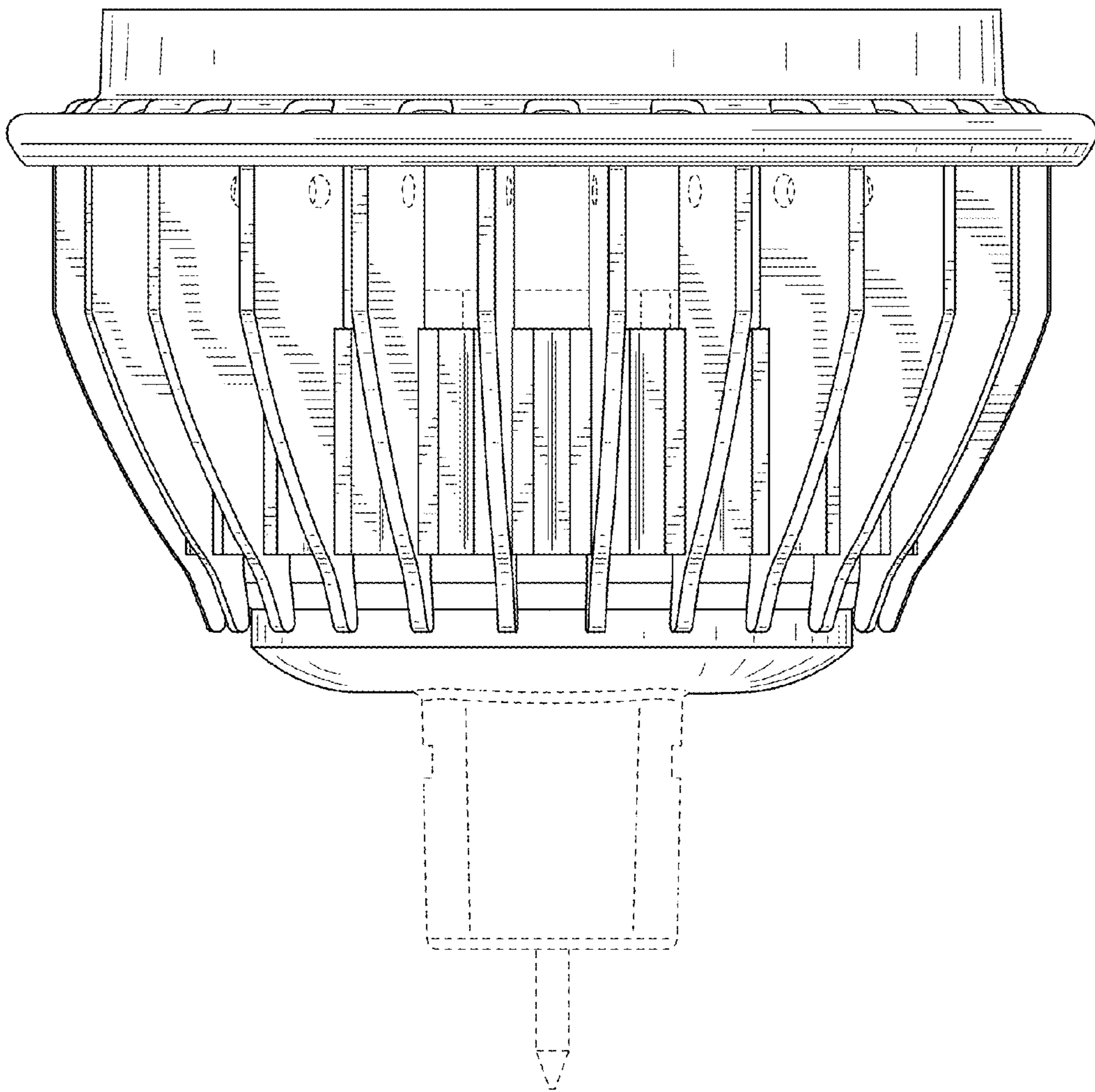


FIG. 19

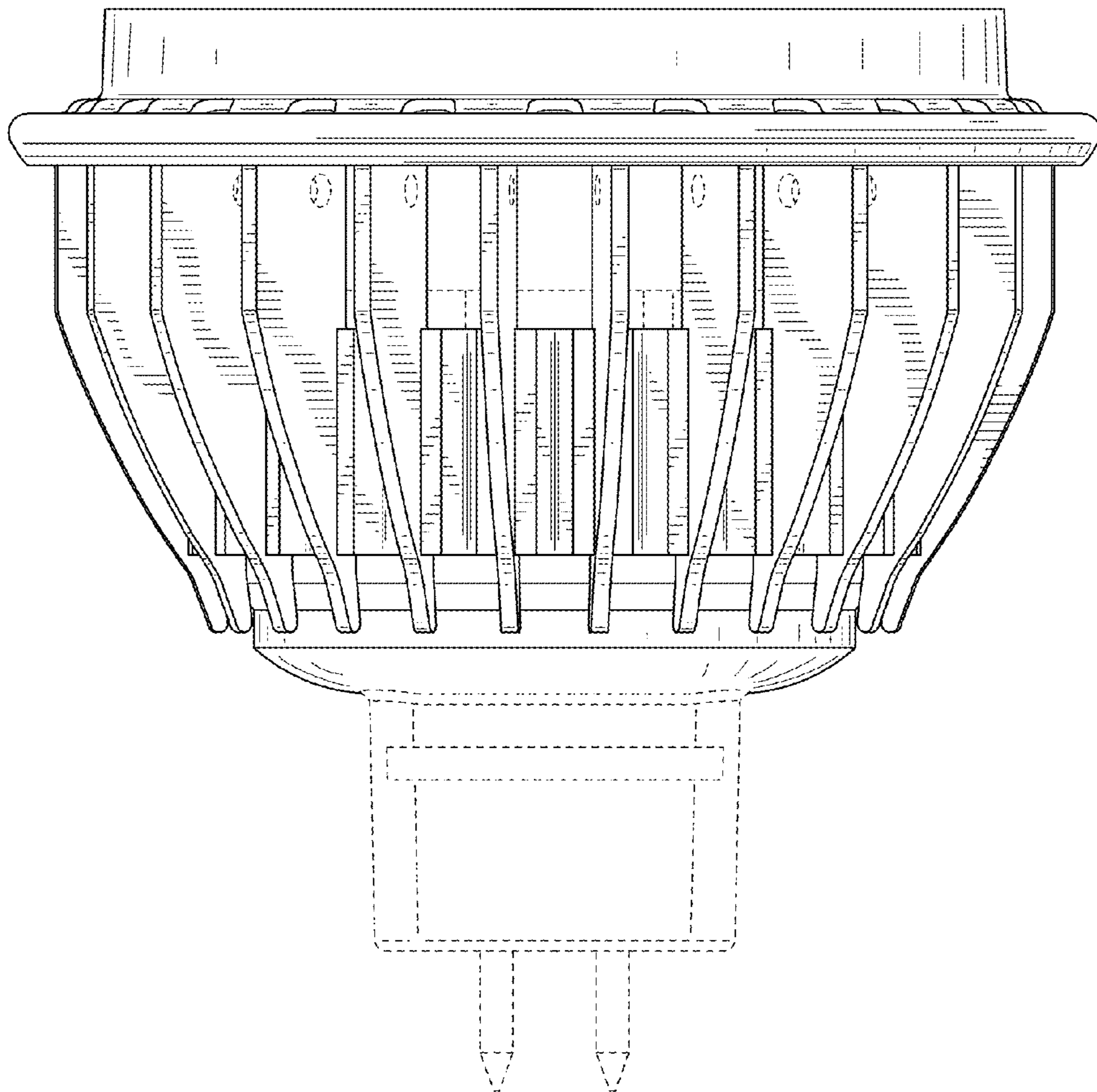


FIG. 20

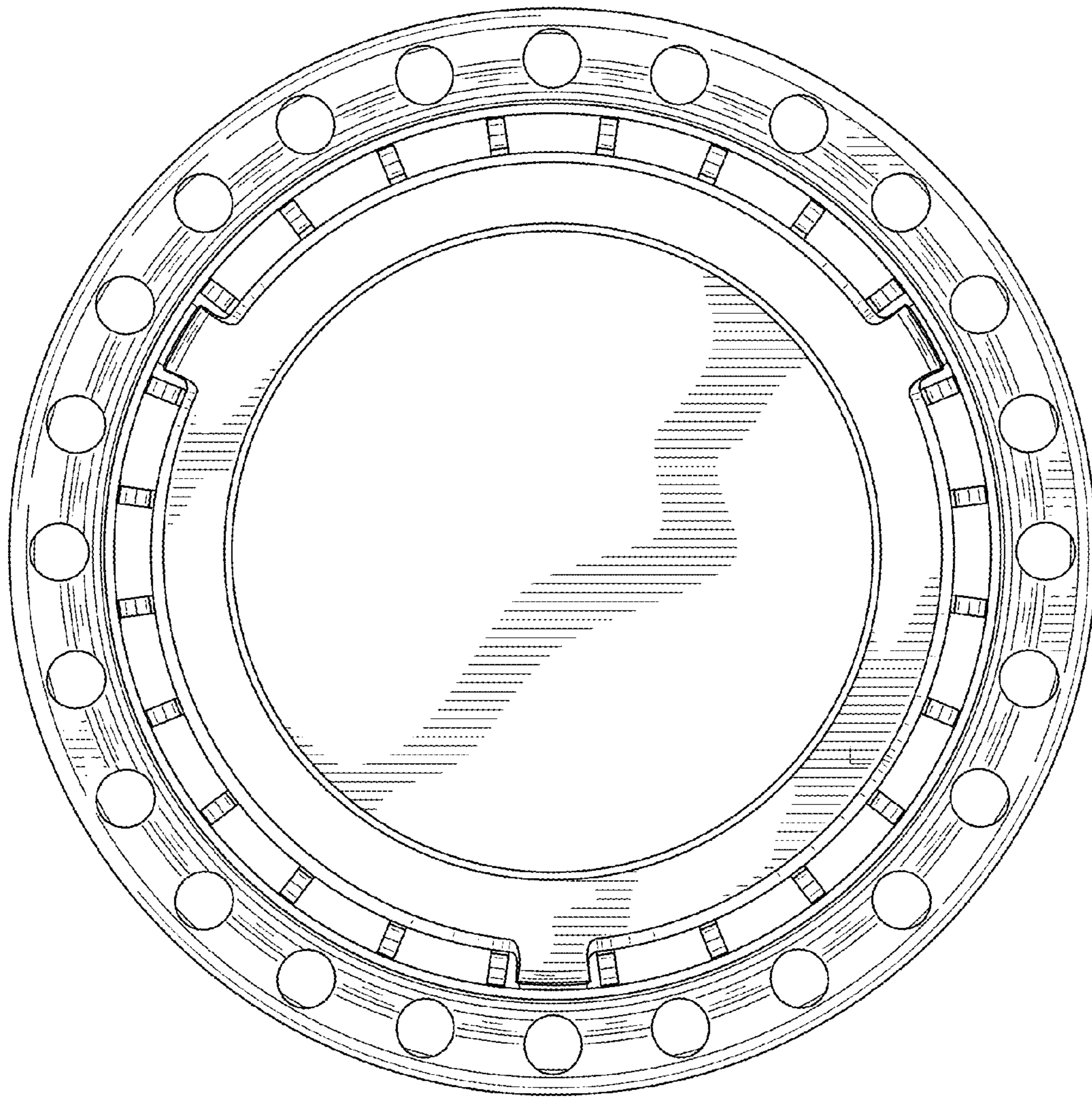


FIG. 21

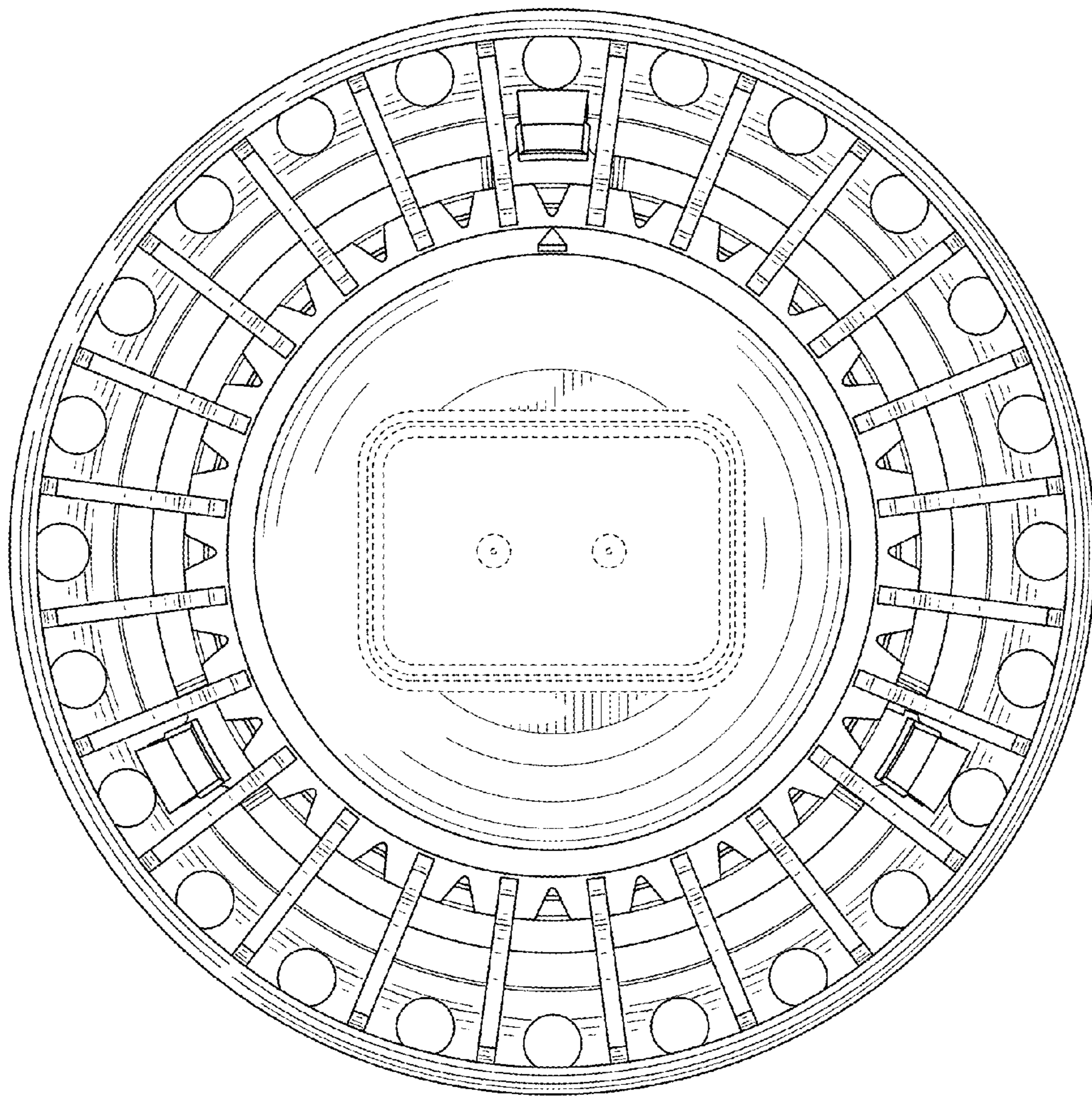


FIG. 22

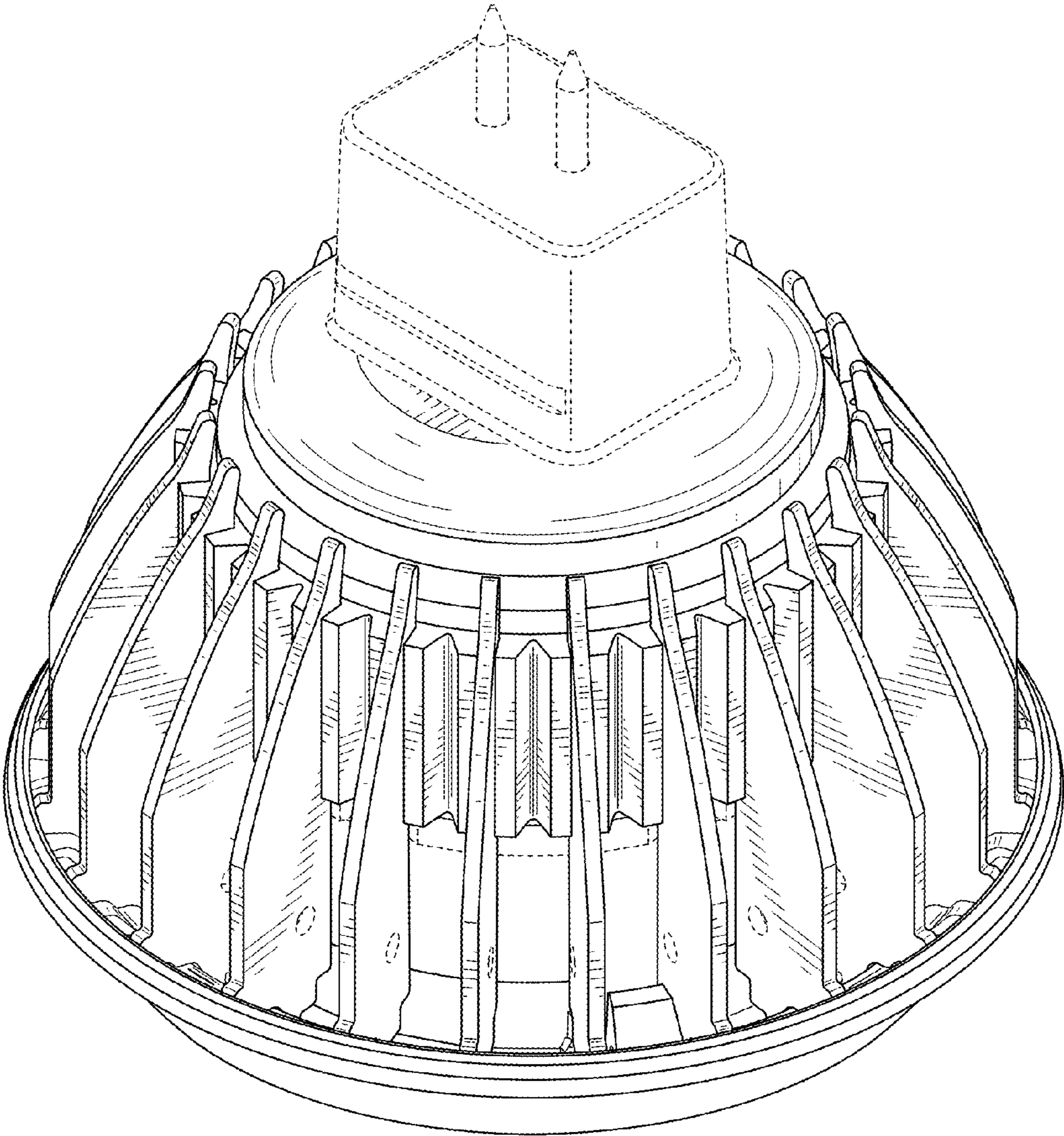


FIG. 23

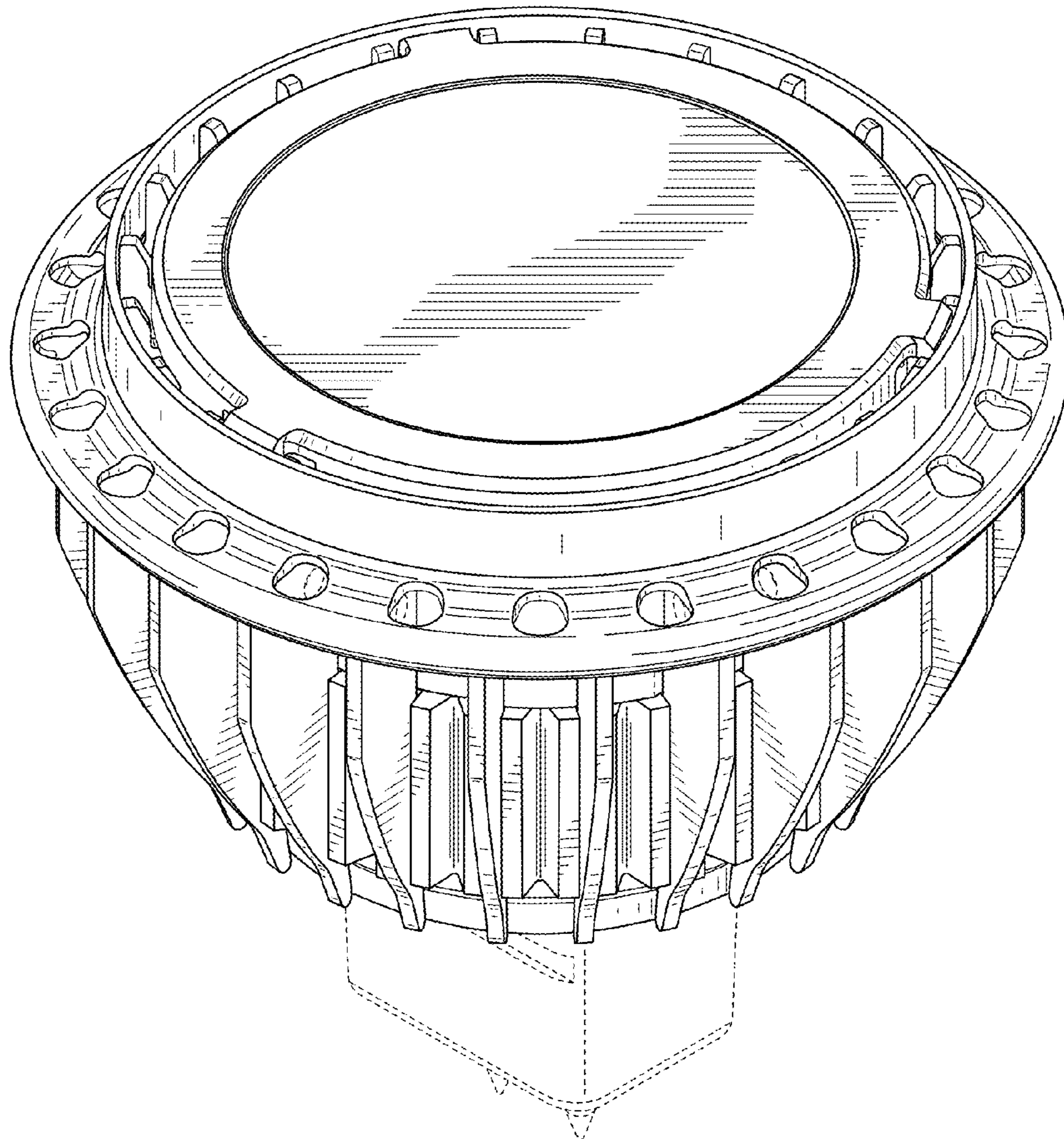


FIG. 24

UNITED STATES PATENT AND TRADEMARK OFFICE
CERTIFICATE OF CORRECTION

PATENT NO. : D754,887 S
APPLICATION NO. : 29/498768
DATED : April 26, 2016
INVENTOR(S) : Yaote Huang and Michael Hash

Page 1 of 26

It is certified that error appears in the above-identified patent and that said Letters Patent is hereby corrected as shown below:

On the Title Page

Delete the title page and substitute therefore with the attached title page consisting of the corrected illustrative figure.

In the Drawings

Please replace FIGS. 1-24 with FIGS. 1-24 as shown on the attached pages.

Signed and Sealed this
Twenty-fifth Day of April, 2017



Michelle K. Lee
Director of the United States Patent and Trademark Office

(12) **United States Design Patent**
Huang et al.

(10) **Patent No.:** **US D754,887 S**
 (45) **Date of Patent:** **** Apr. 26, 2016**

(54) **LED LAMP**

(71) Applicant: **Cree, Inc., Durham, NC (US)**
 (72) Inventors: **Yaote Huang, Morrisville, NC (US);**
Michael Hash, Raleigh, NC (US)
 (73) Assignee: **Cree, Inc., Durham, NC (US)**
 (**) Term: **14 Years**
 (21) Appl. No.: **29/498,768**
 (22) Filed: **Aug. 7, 2014**
 (51) **LOC (10) CL** **D26-06**
 (52) **U.S. CL**
 USPC **D26/2**
 (58) **Field of Classification Search**
 USPC D26/1-4; 313/313, 315, 316, 317, 318,
 313/493; 315/52, 53, 56, 57, 58
 CPC H01L 5/48; H01L 5/50; H01L 19/54;
 F21V 5/00
 See application file for complete search history.

(56) **References Cited**
U.S. PATENT DOCUMENTS

D545,457 S * 6/2007 Chen D26/2
 D584,428 S * 1/2009 Li D26/2

(Continued)

OTHER PUBLICATIONS

U.S. Appl. No. 29/434,289, filed Oct. 11, 2012
 U.S. Appl. No. 29/435,254, filed Oct. 22, 2012
 U.S. Appl. No. 29/484,531, filed Mar. 11, 2014

(Continued)

Primary Examiner --- Marcus Jackson

(74) *Attorney, Agent, or Firm* Dennis J. Williamson;
 Moore & Van Allen PLLC

(57) **CLAIM**

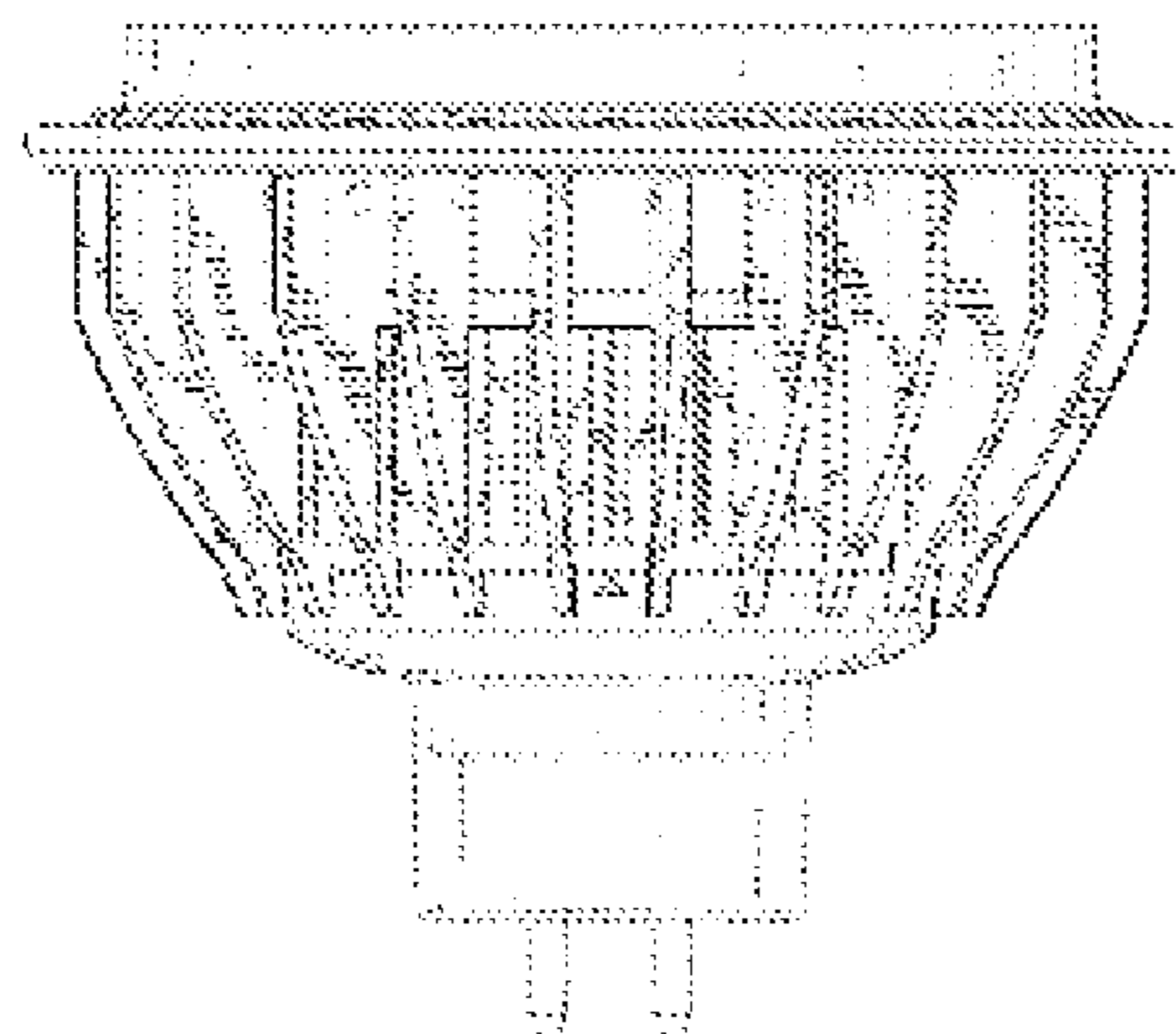
We claim the ornamental design for a LED lamp, as shown and described.

DESCRIPTION

FIG. 1 is a front view showing an embodiment of my new design for a LED lamp;
 FIG. 2 is a right side view showing my new design shown in FIG. 1;

FIG. 3 is a left side view showing my new design shown in FIG. 1;
 FIG. 4 is a back view showing my new design shown in FIG. 1;
 FIG. 5 is a top view showing my new design shown in FIG. 1;
 FIG. 6 is a bottom view showing my new design shown in FIG. 1;
 FIG. 7 is a bottom perspective view showing my new design shown in FIG. 1;
 FIG. 8 is a top perspective view showing my new design shown in FIG. 1;
 FIG. 9 is a front view showing another embodiment of my new design for a LED lamp;
 FIG. 10 is a right side view showing my new design shown in FIG. 9;
 FIG. 11 is a left side view showing my new design shown in FIG. 9;
 FIG. 12 is a back view showing my new design shown in FIG. 9;
 FIG. 13 is a top view showing my new design shown in FIG. 9;
 FIG. 14 is a bottom view showing my new design shown in FIG. 9;
 FIG. 15 is a bottom perspective view showing my new design shown in FIG. 9;
 FIG. 16 is a top perspective view showing my new design shown in FIG. 9;
 FIG. 17 is a front view showing yet another embodiment of my new design for a LED lamp;
 FIG. 18 is a right side view showing my new design shown in FIG. 17;
 FIG. 19 is a left side view showing my new design shown in FIG. 17;
 FIG. 20 is a back view showing my new design shown in FIG. 17;
 FIG. 21 is a top view showing my new design shown in FIG. 17;
 FIG. 22 is a bottom view showing my new design shown in FIG. 17;
 FIG. 23 is a bottom perspective view showing my new design shown in FIG. 17; and
 FIG. 24 is a top perspective view showing my new design shown in FIG. 17.
 The portions shown in broken lines are not part of the claimed design but show the environment in which the design is associated.

1 Claim, 24 Drawing Sheets



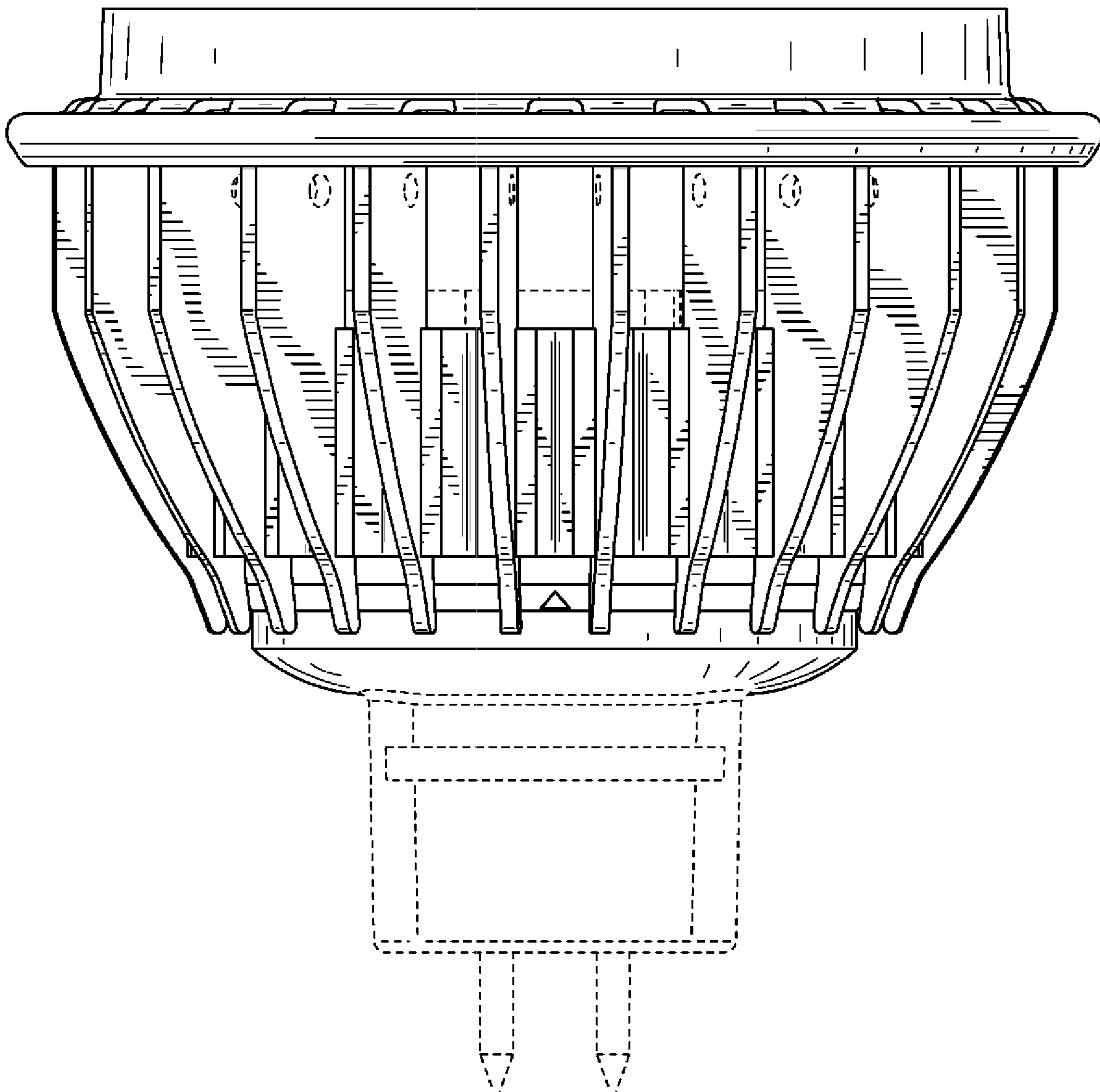


FIG. 1

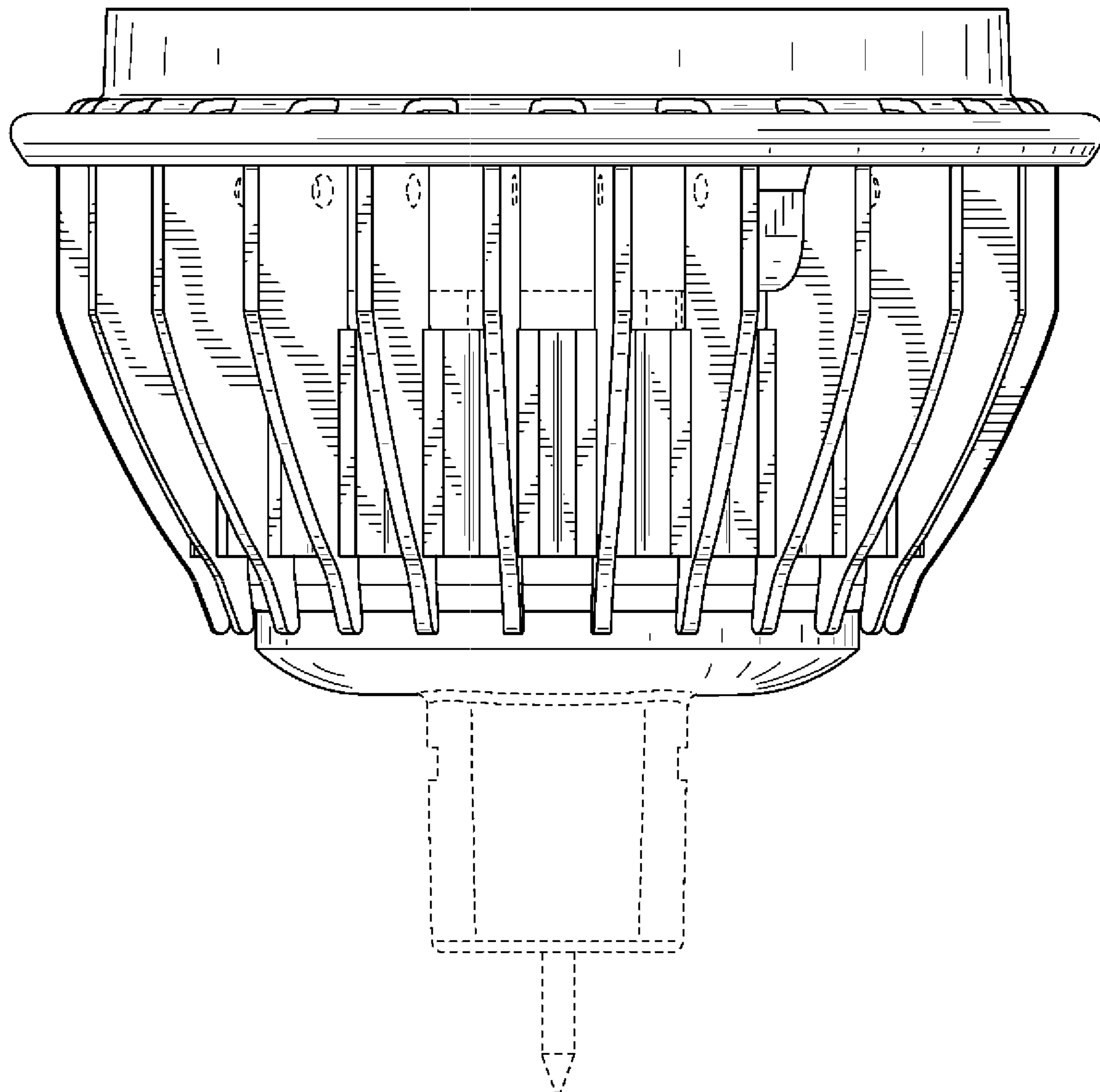


FIG. 2

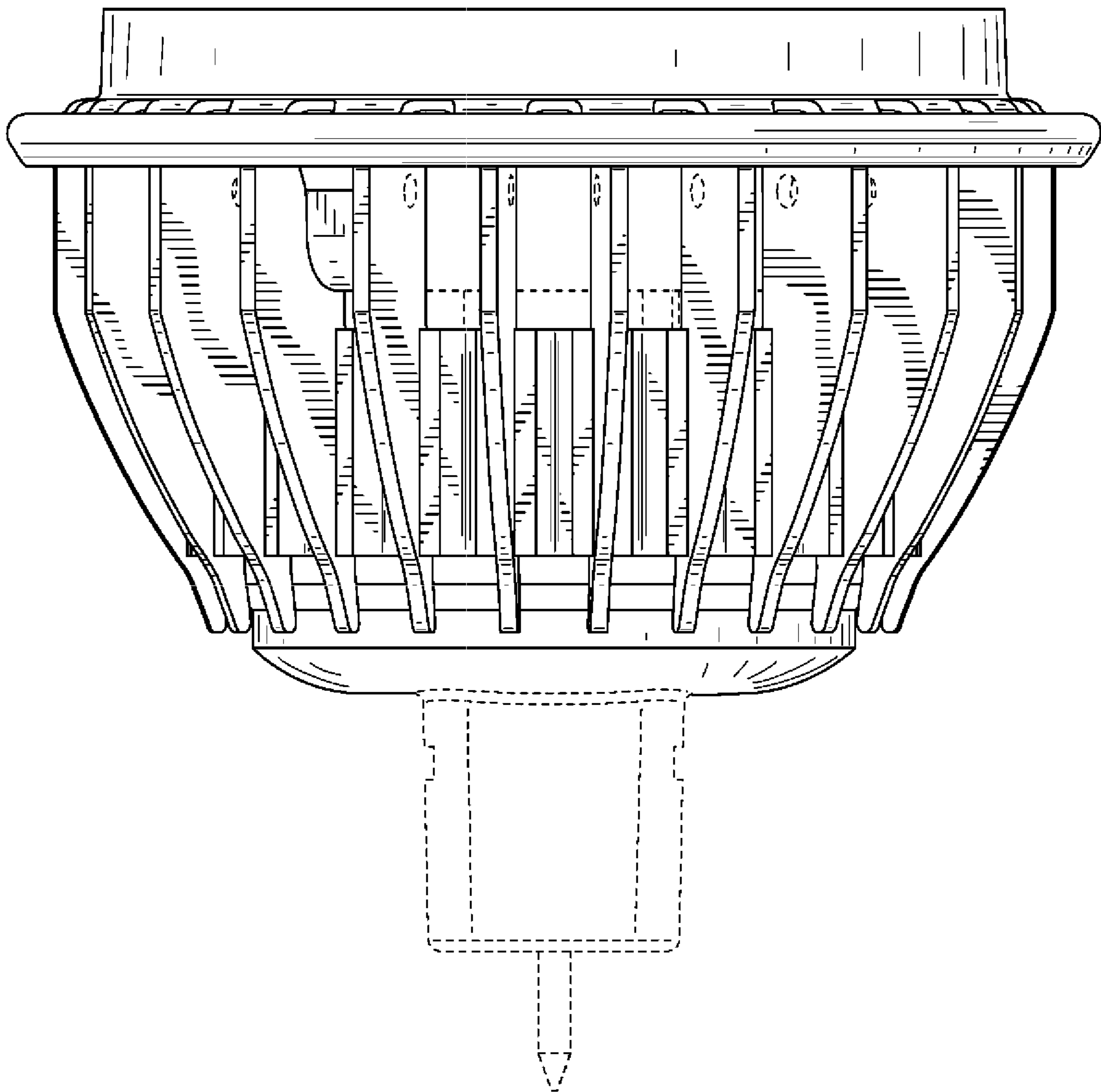


FIG. 3

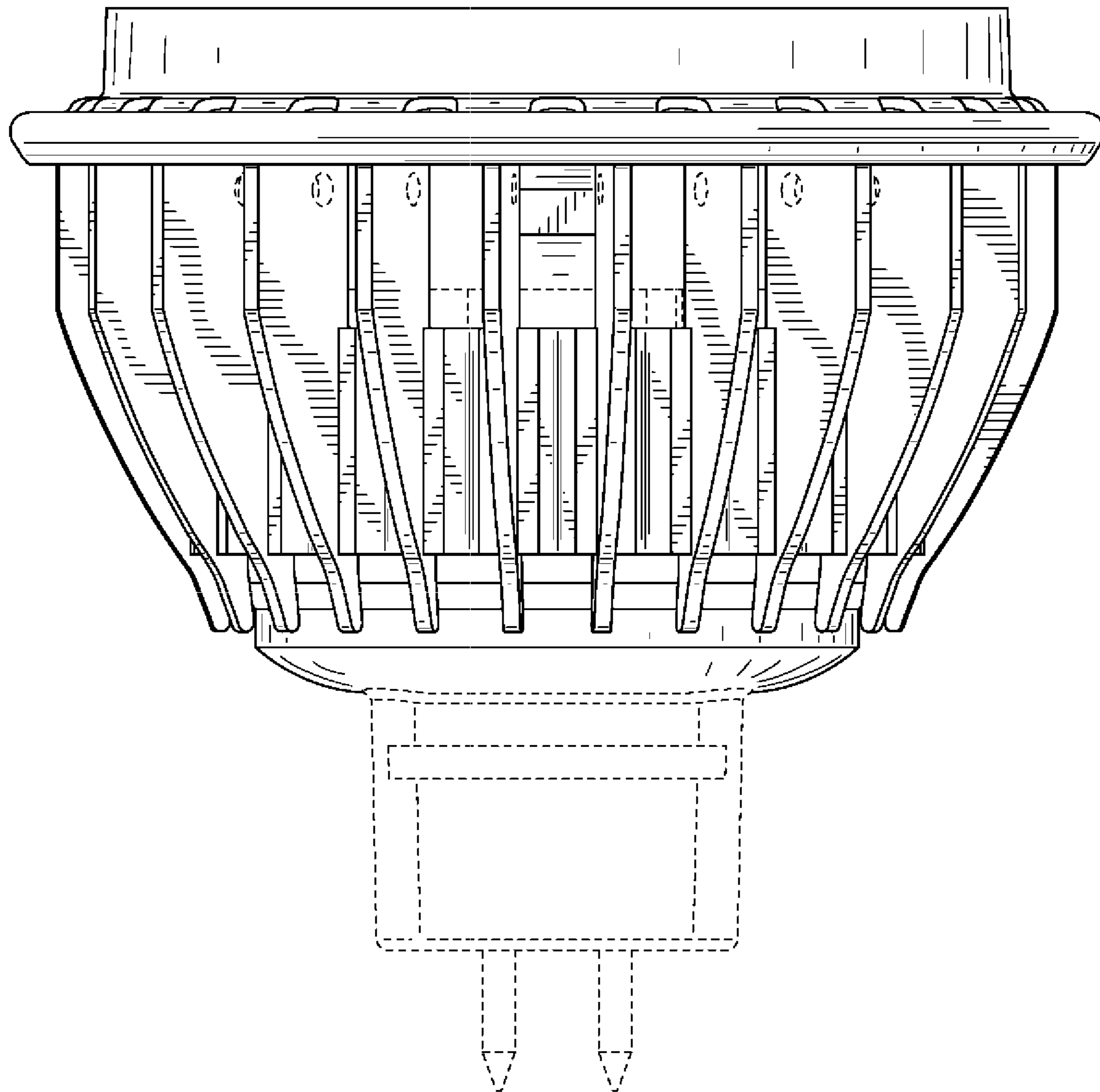


FIG. 4

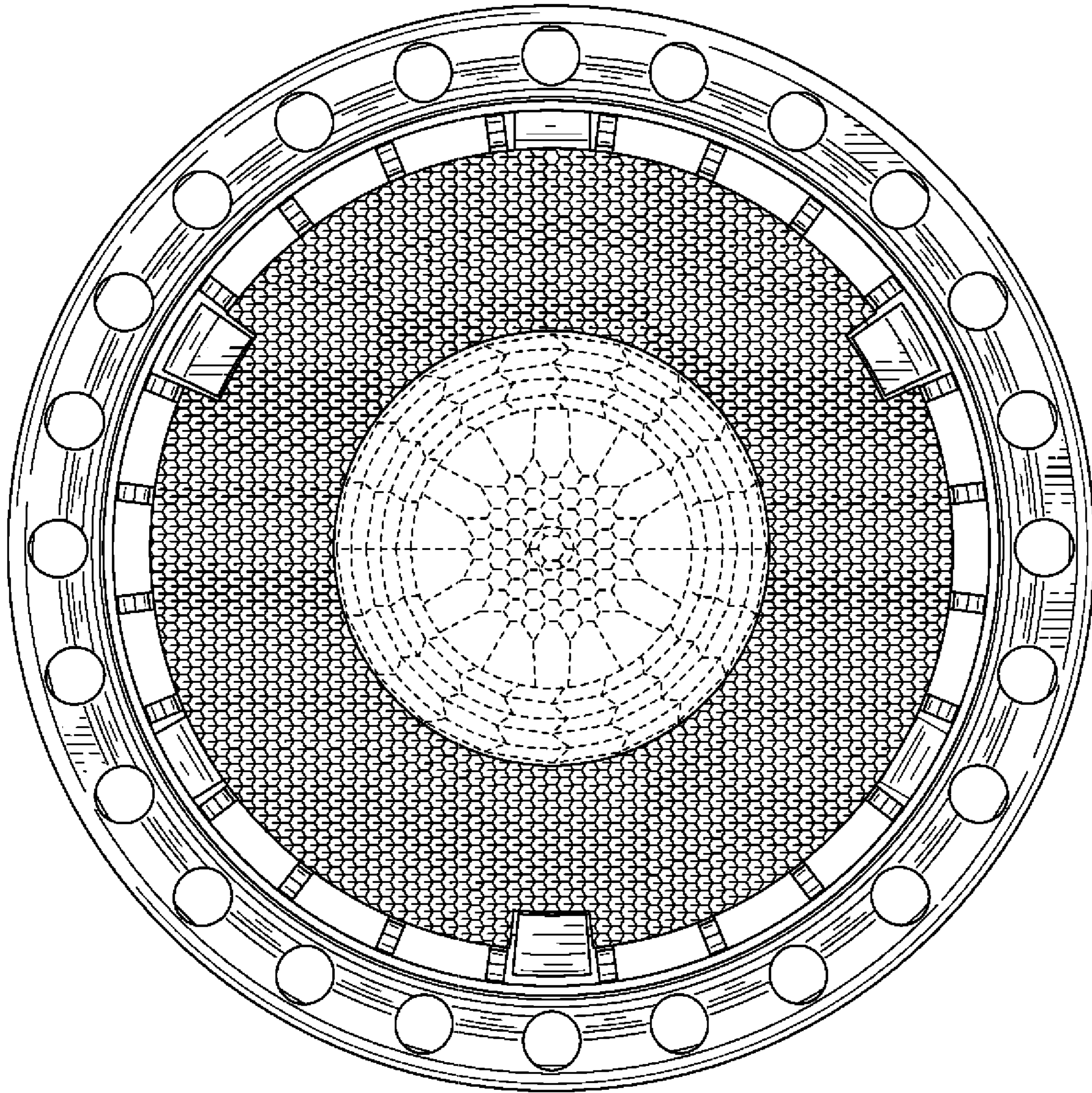


FIG. 5

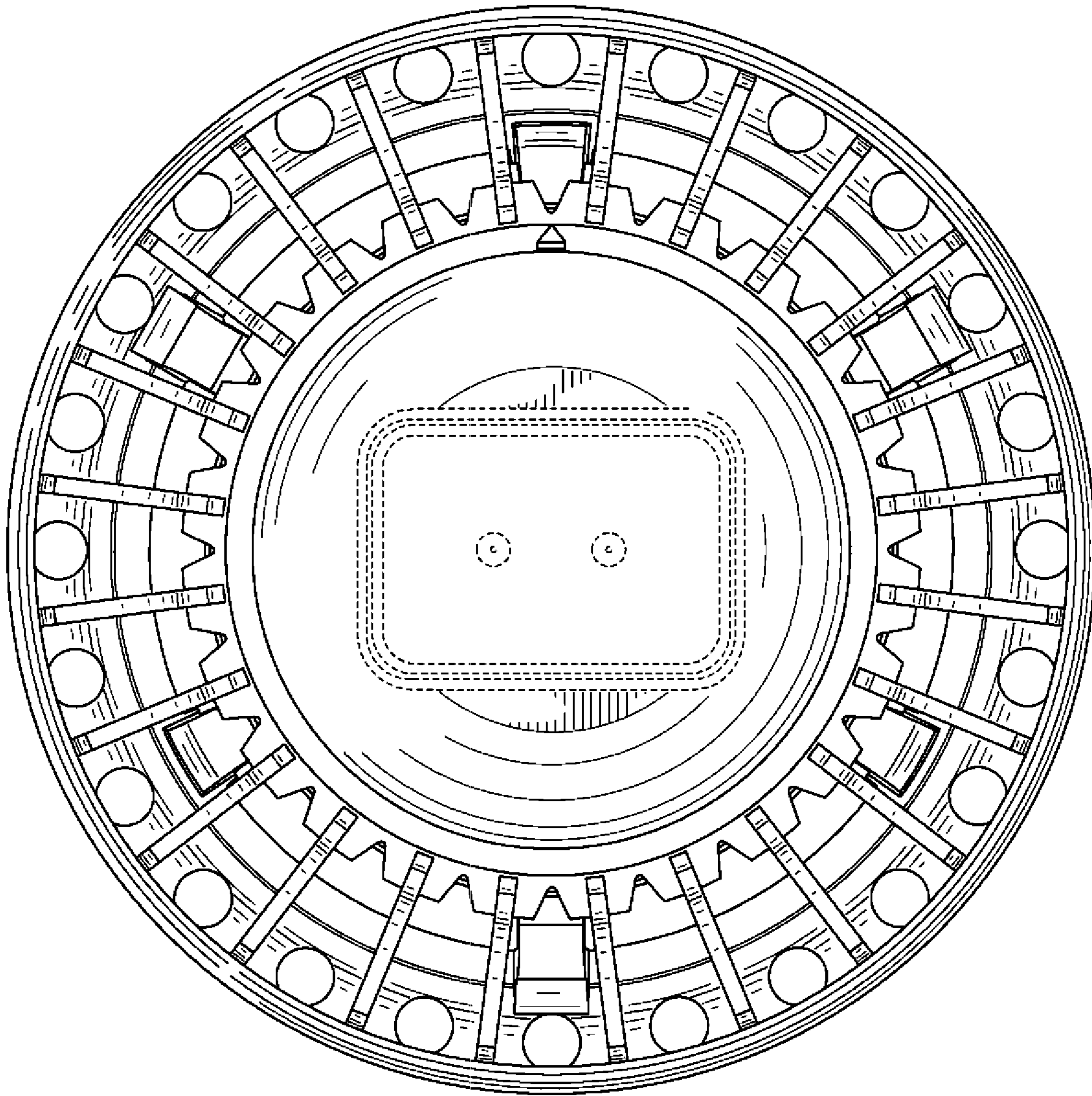


FIG. 6

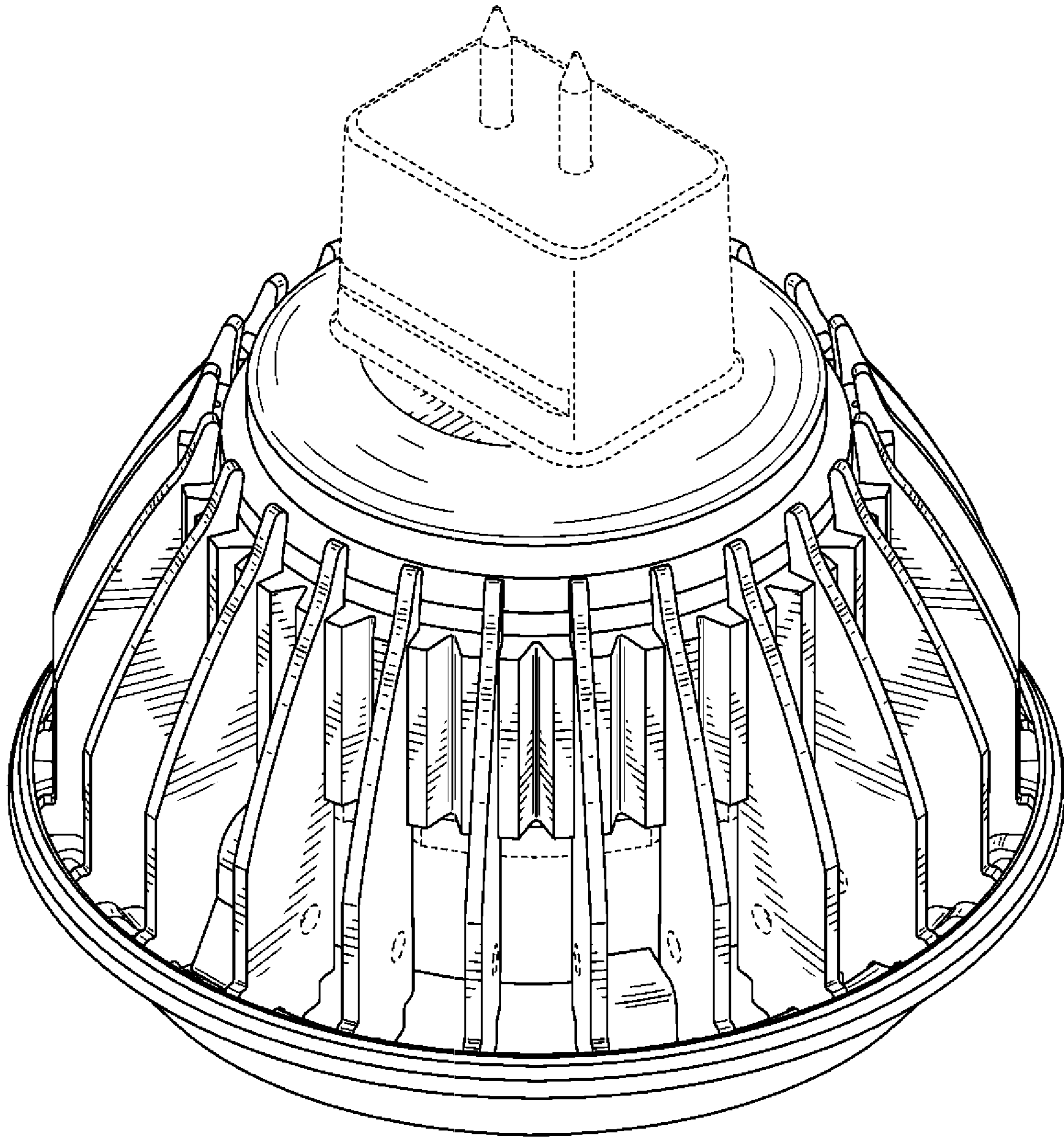


FIG. 7

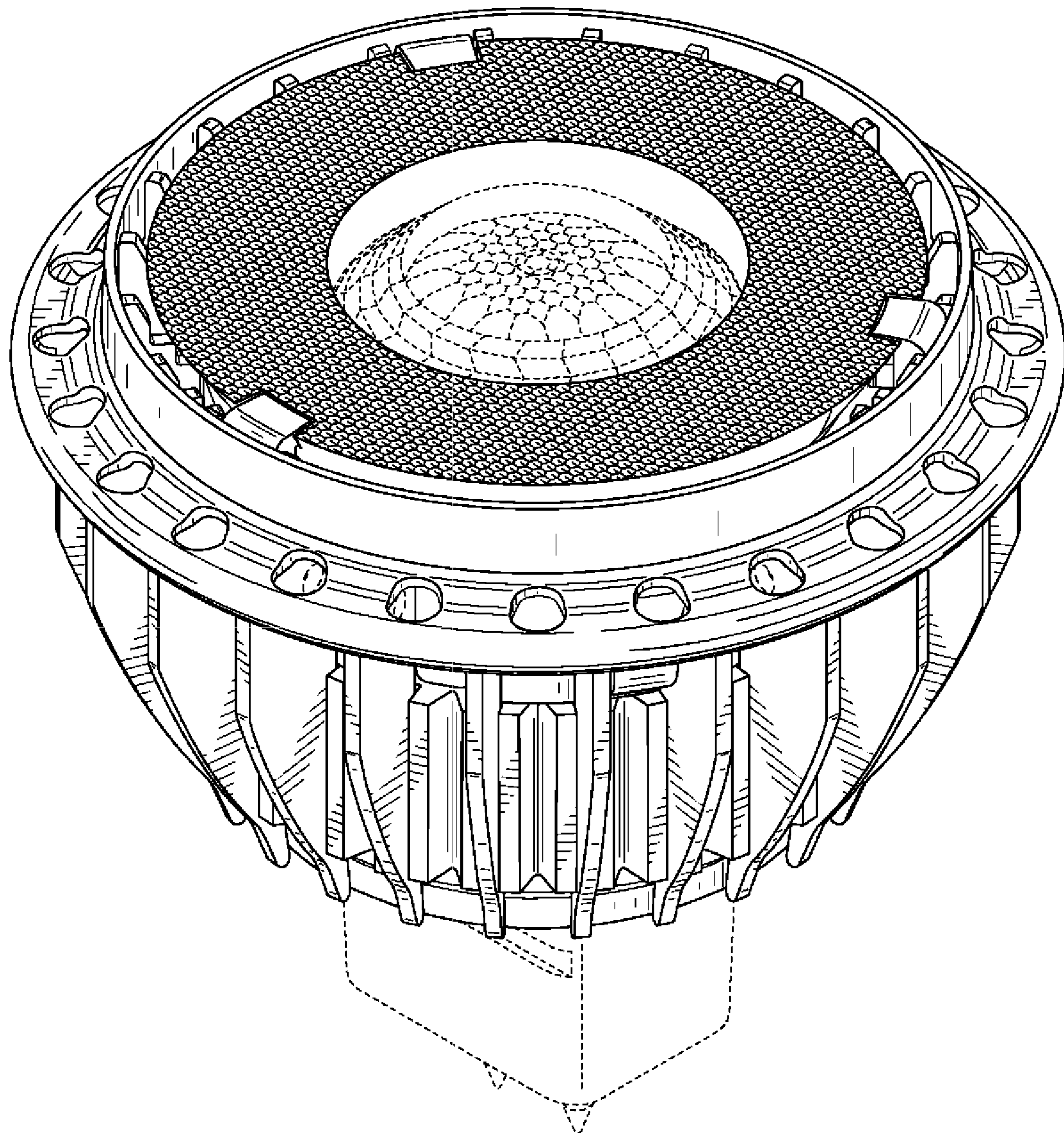


FIG. 8

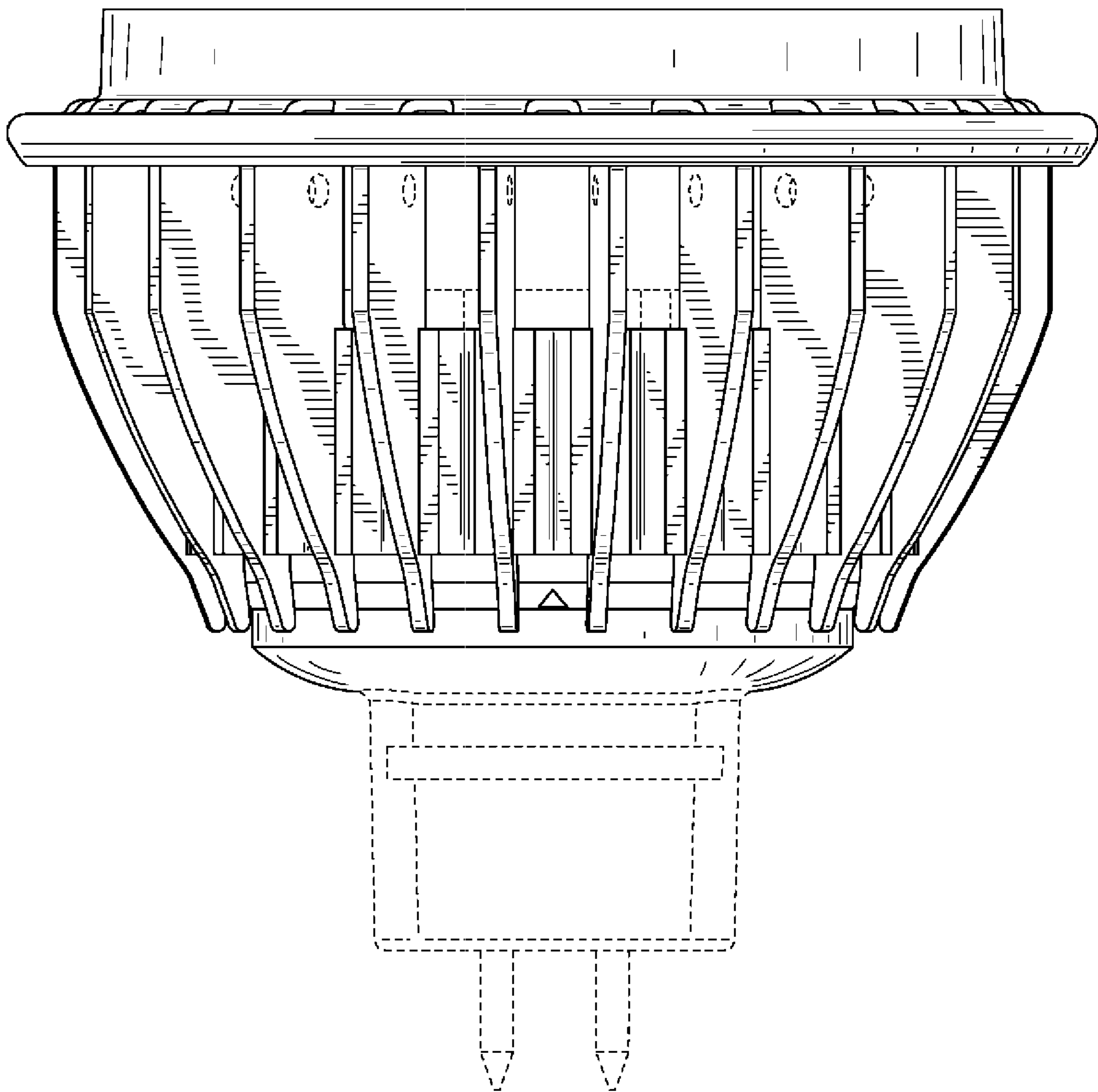


FIG. 9

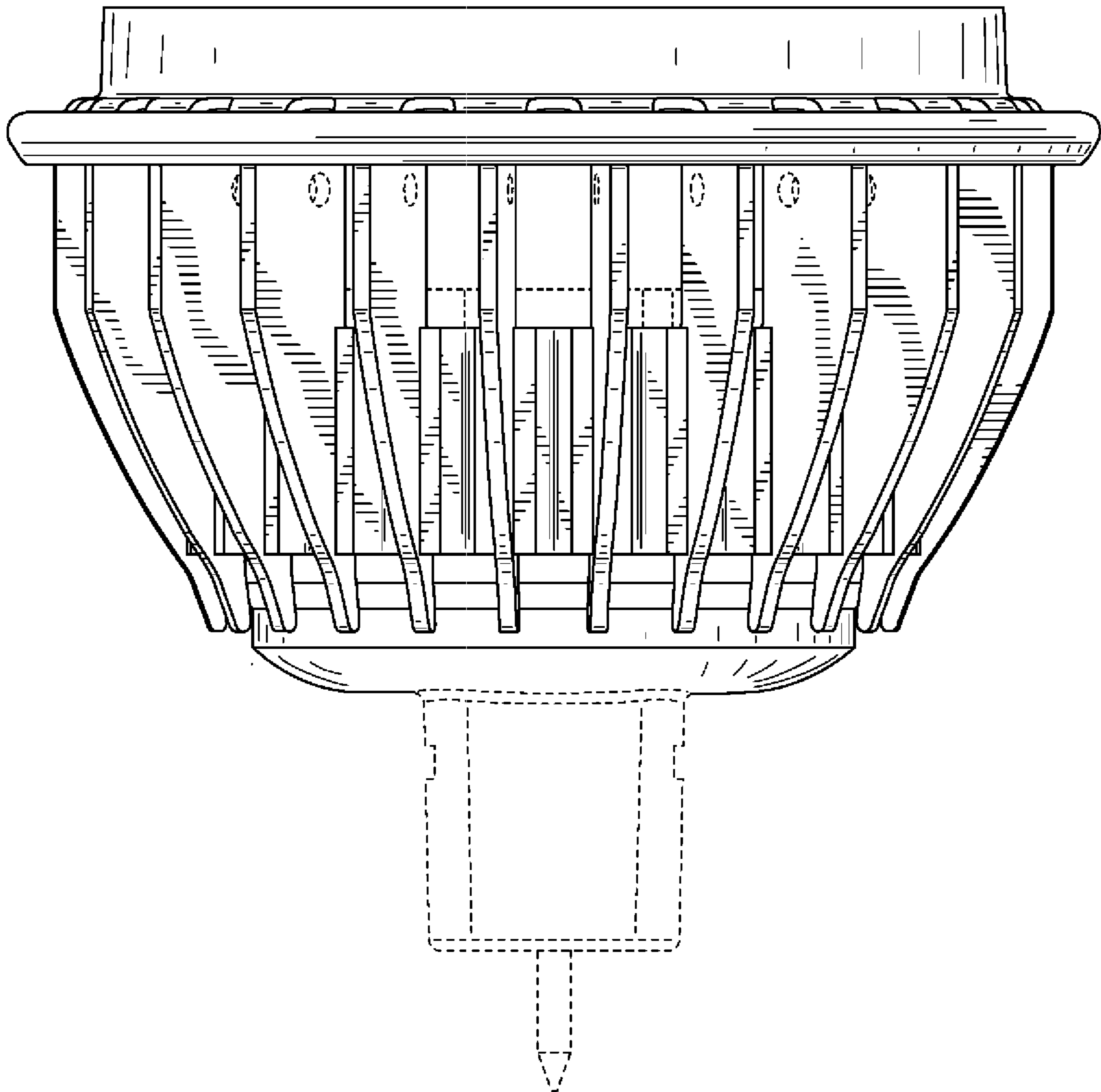


FIG. 10

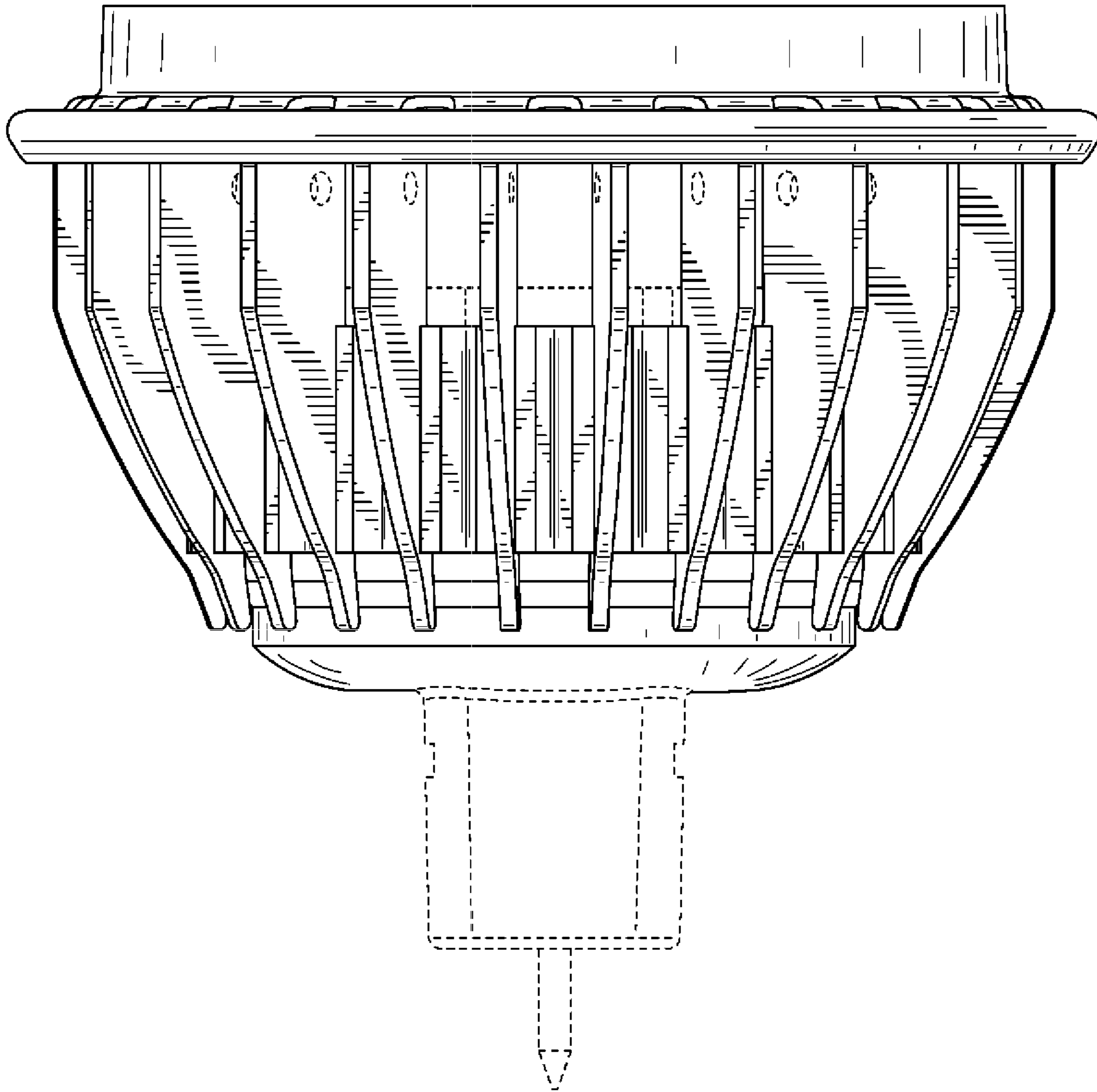


FIG. 11

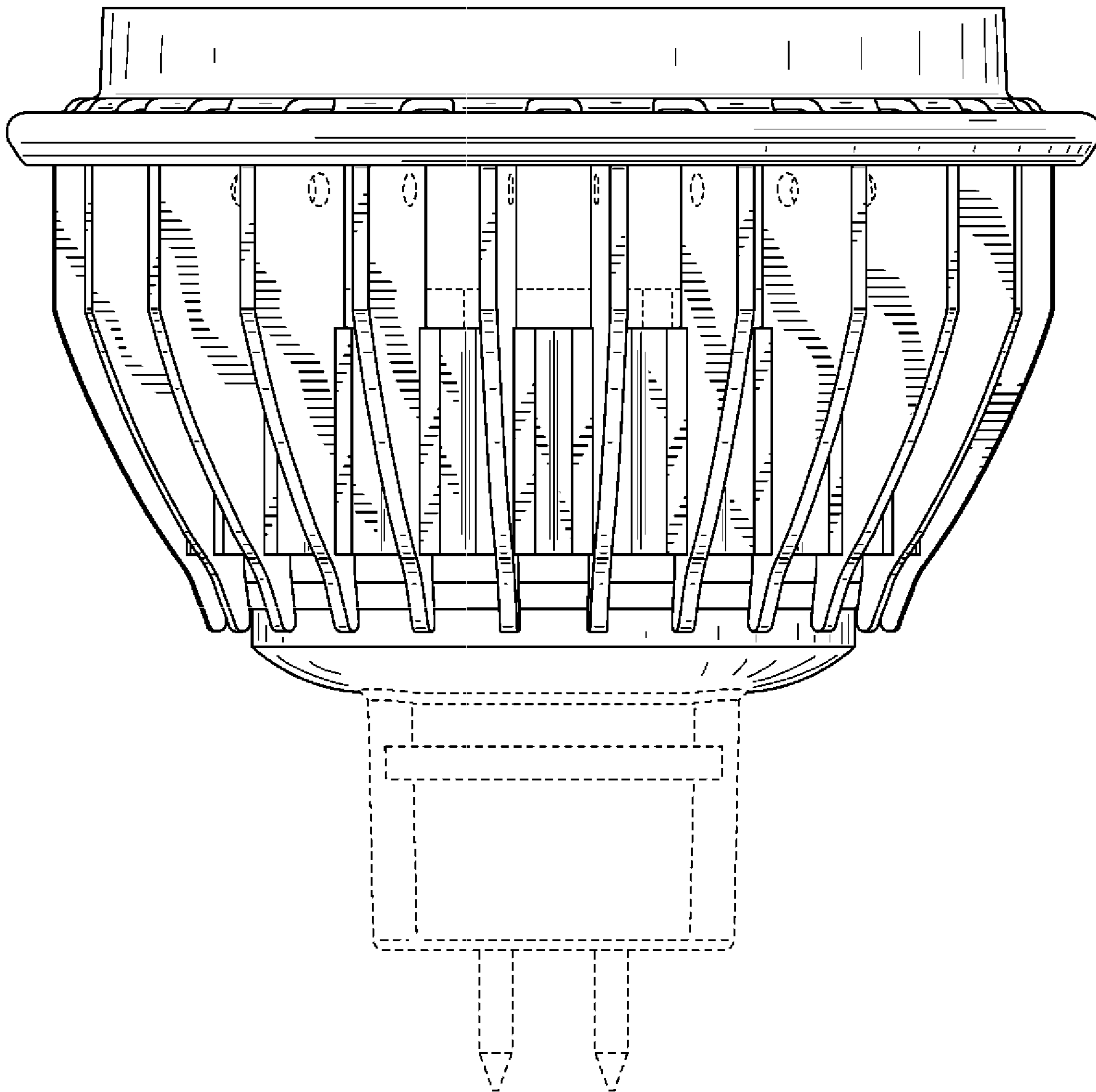


FIG. 12

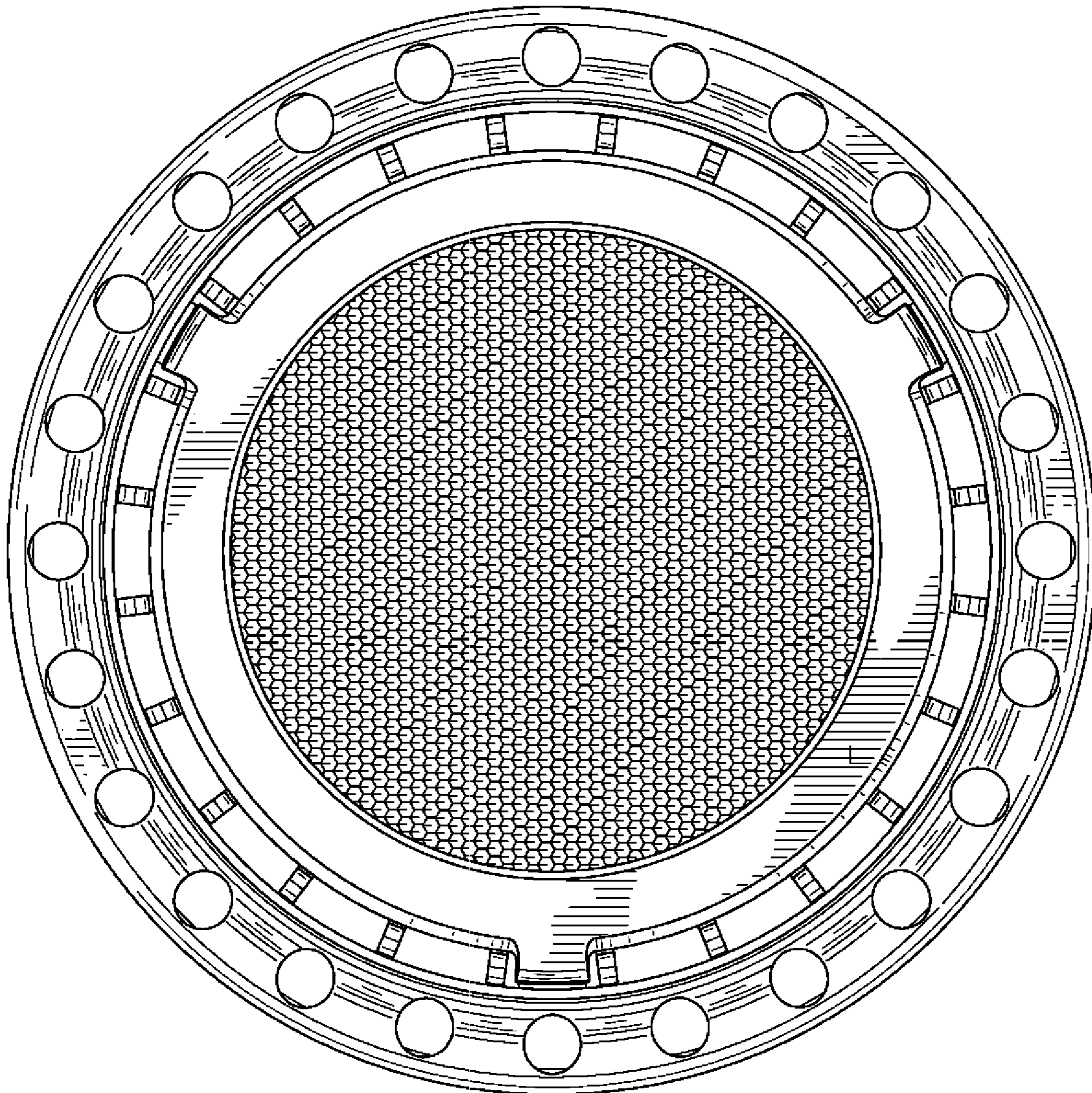


FIG. 13

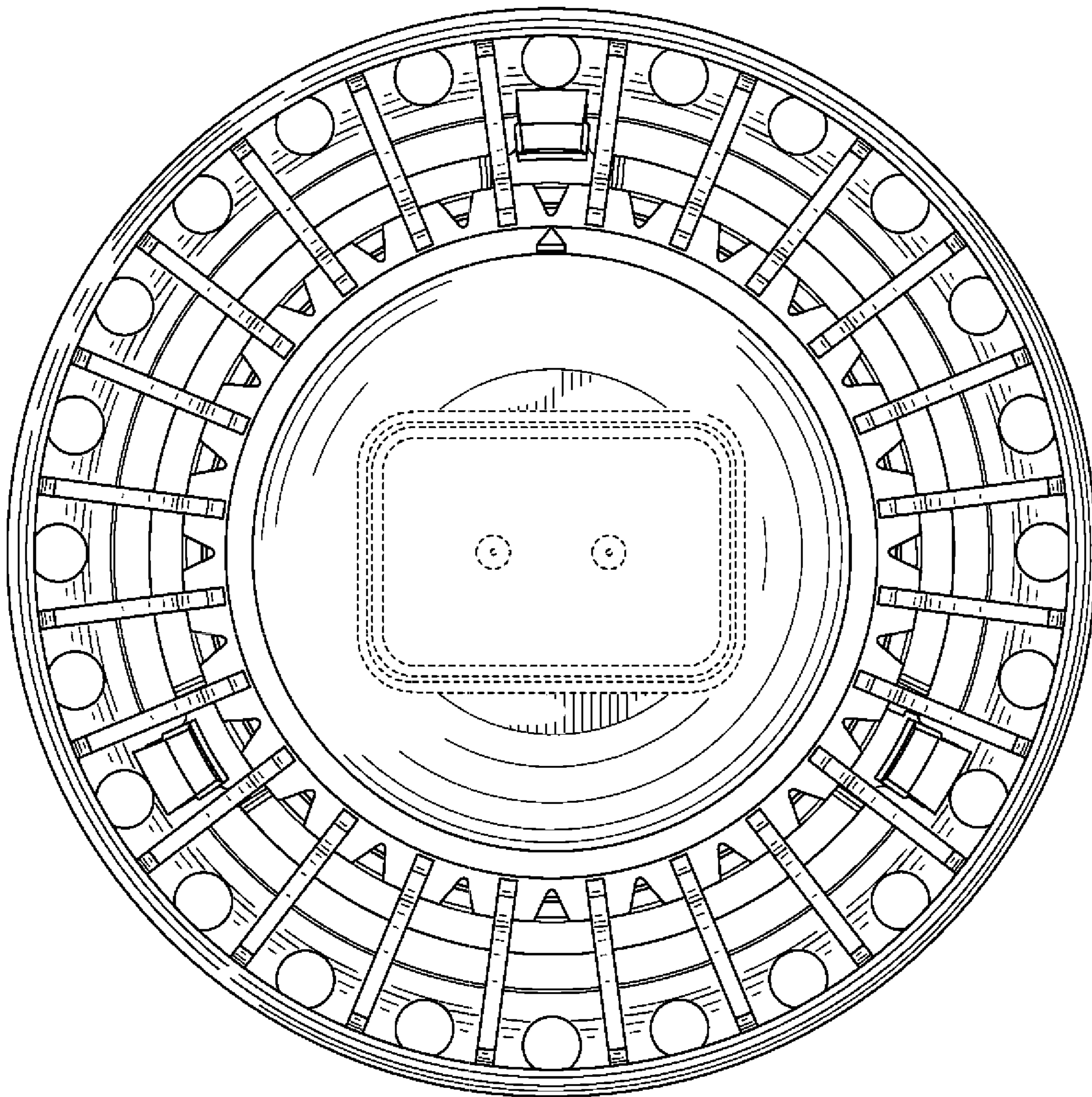


FIG. 14

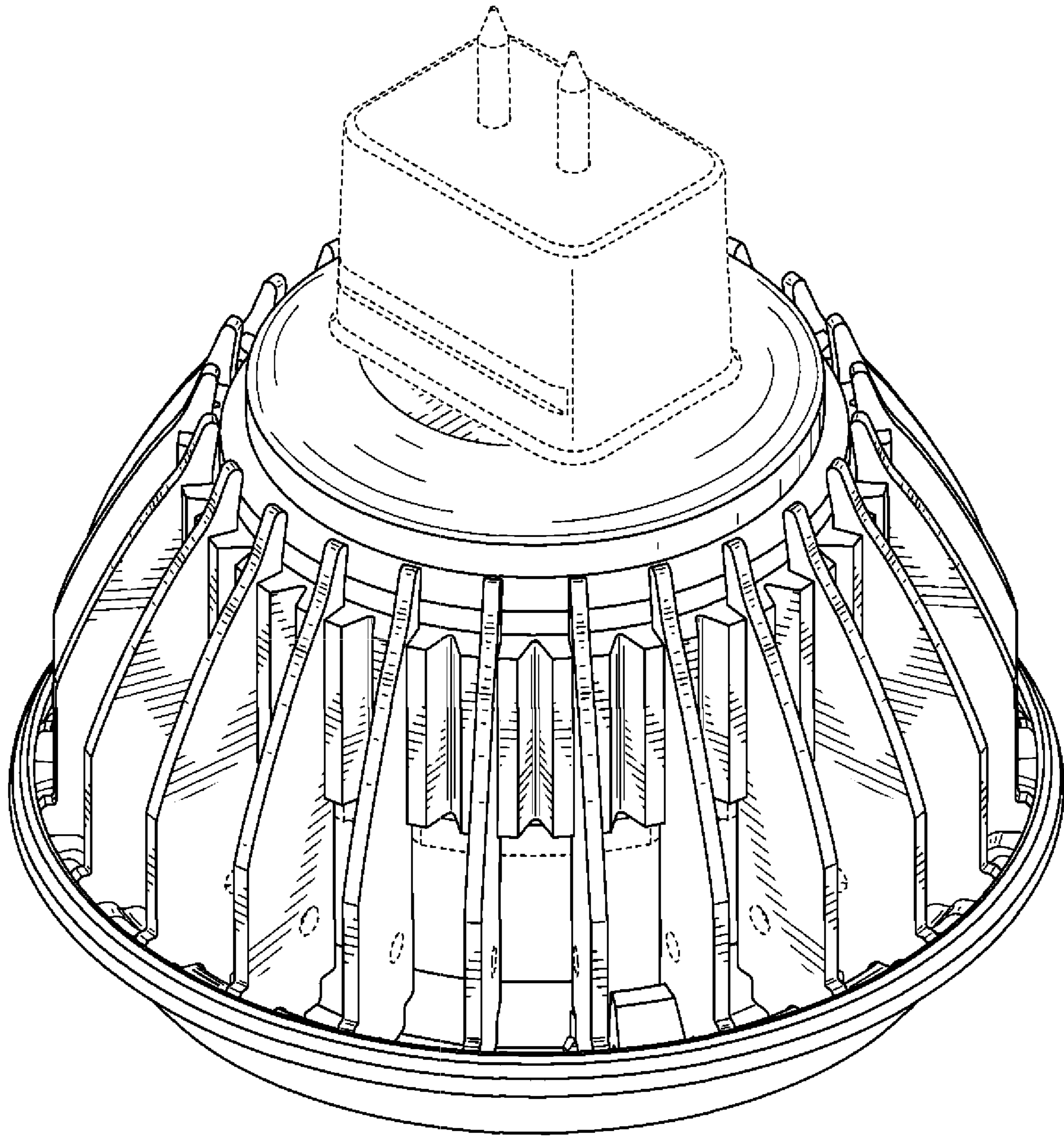


FIG. 15

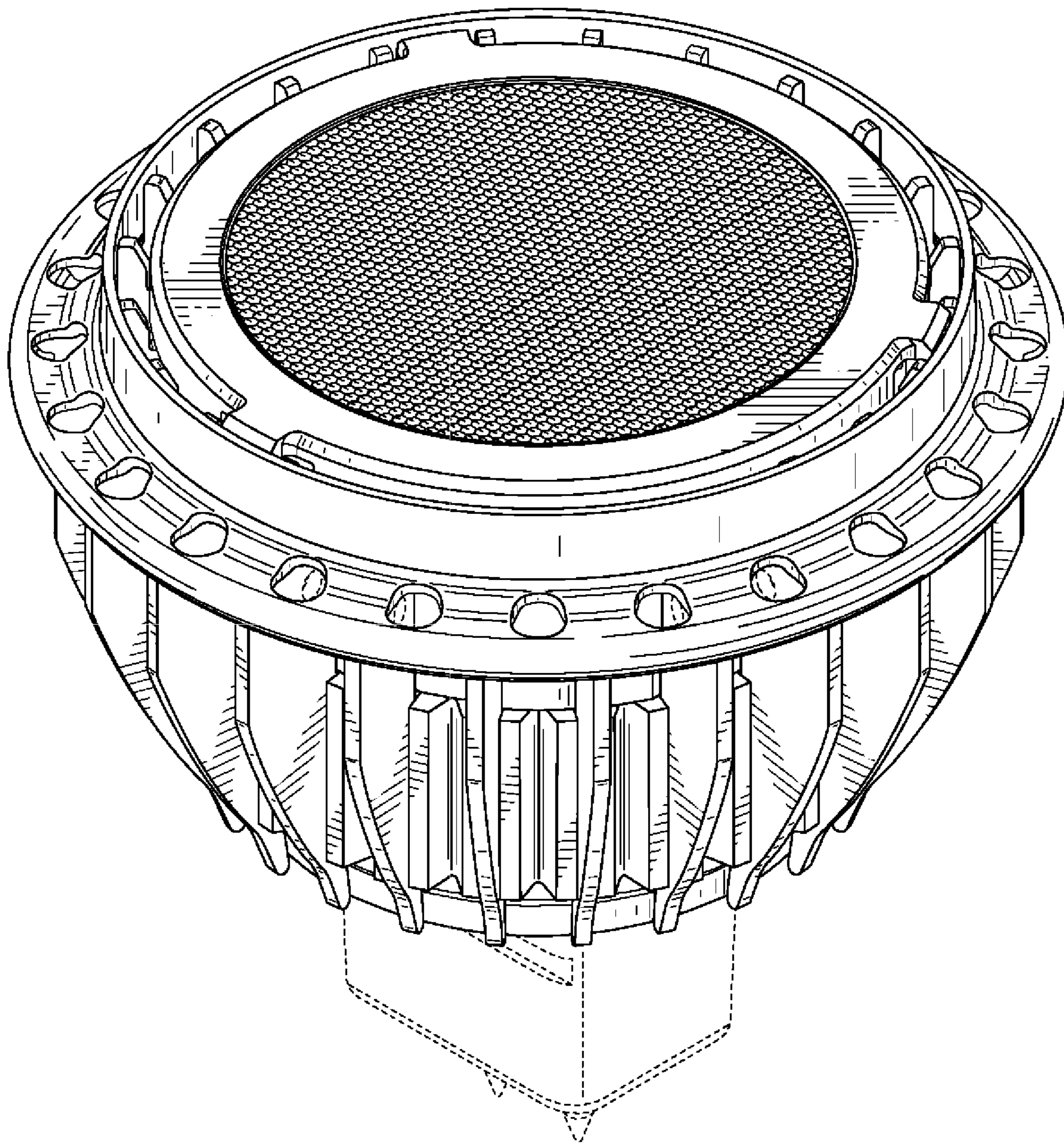


FIG. 16

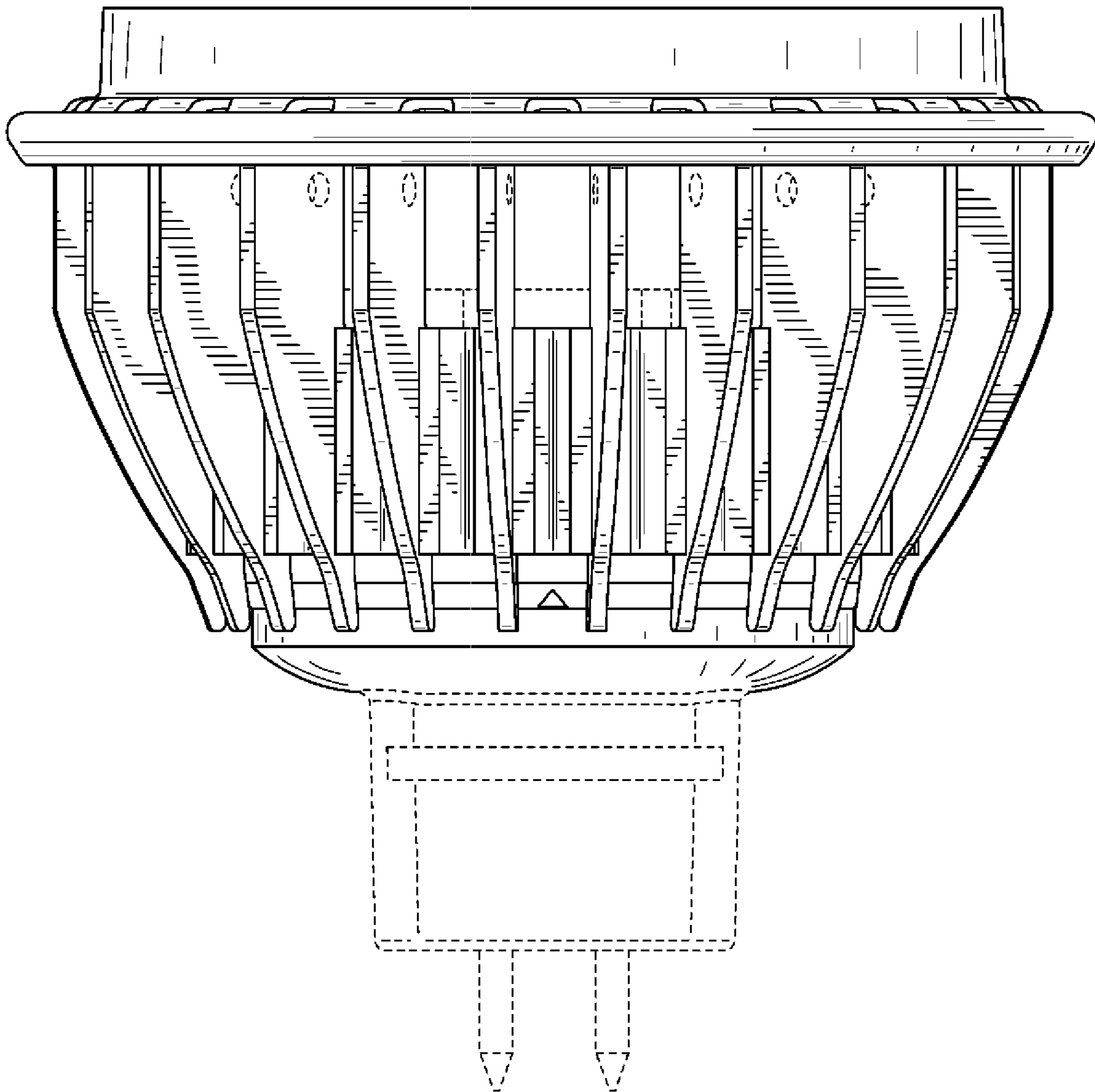


FIG. 17

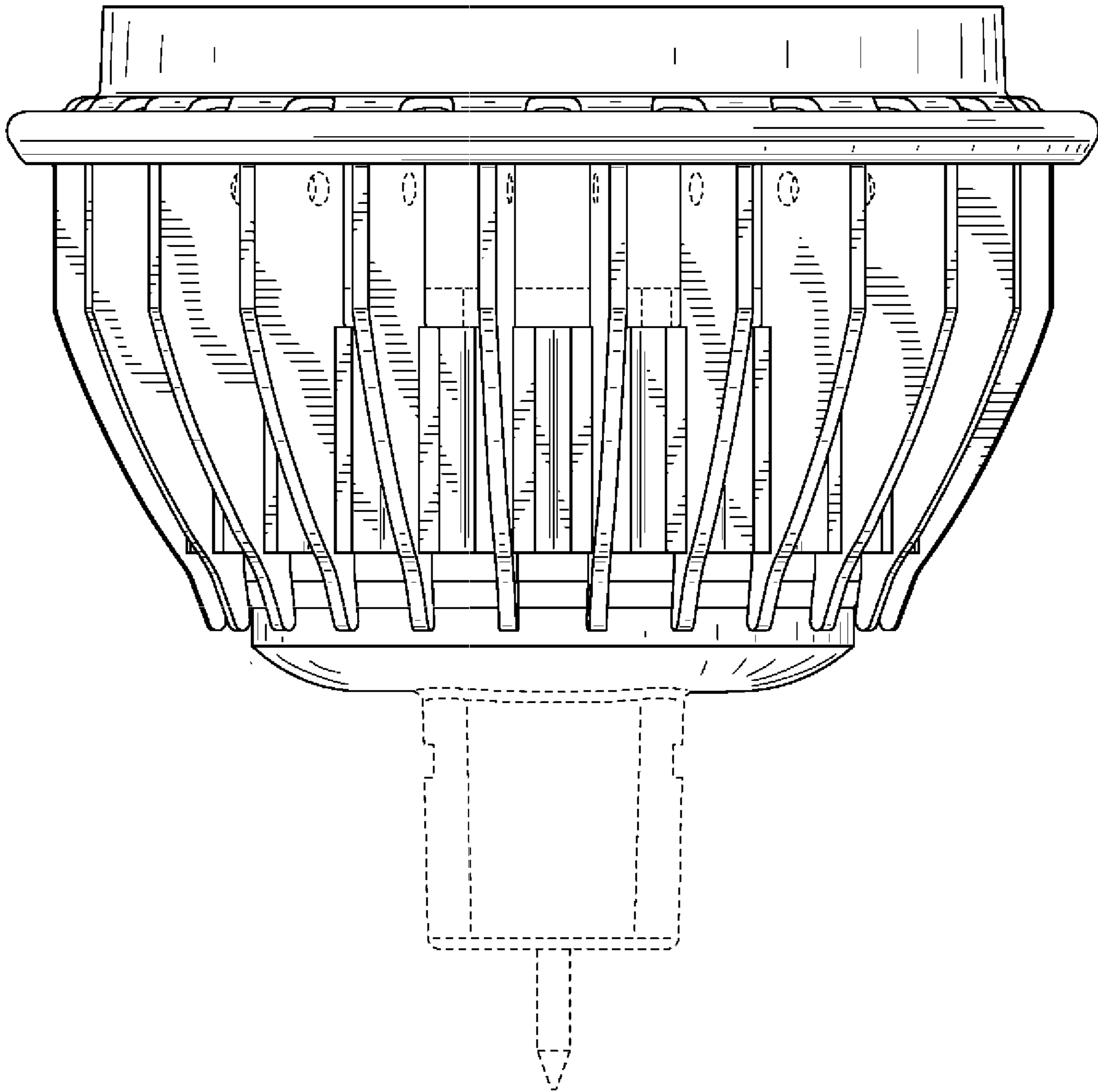


FIG. 18

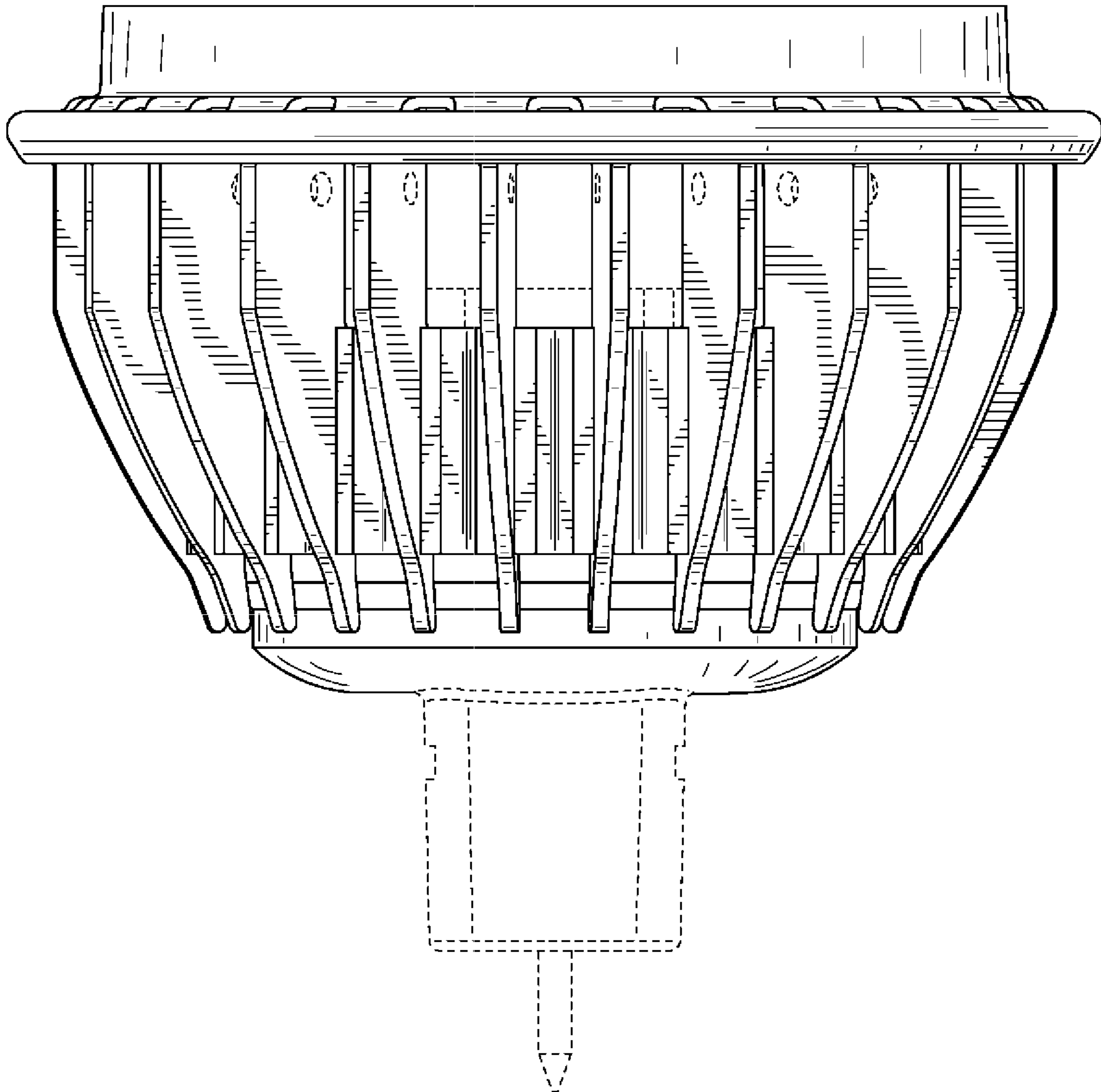


FIG. 19

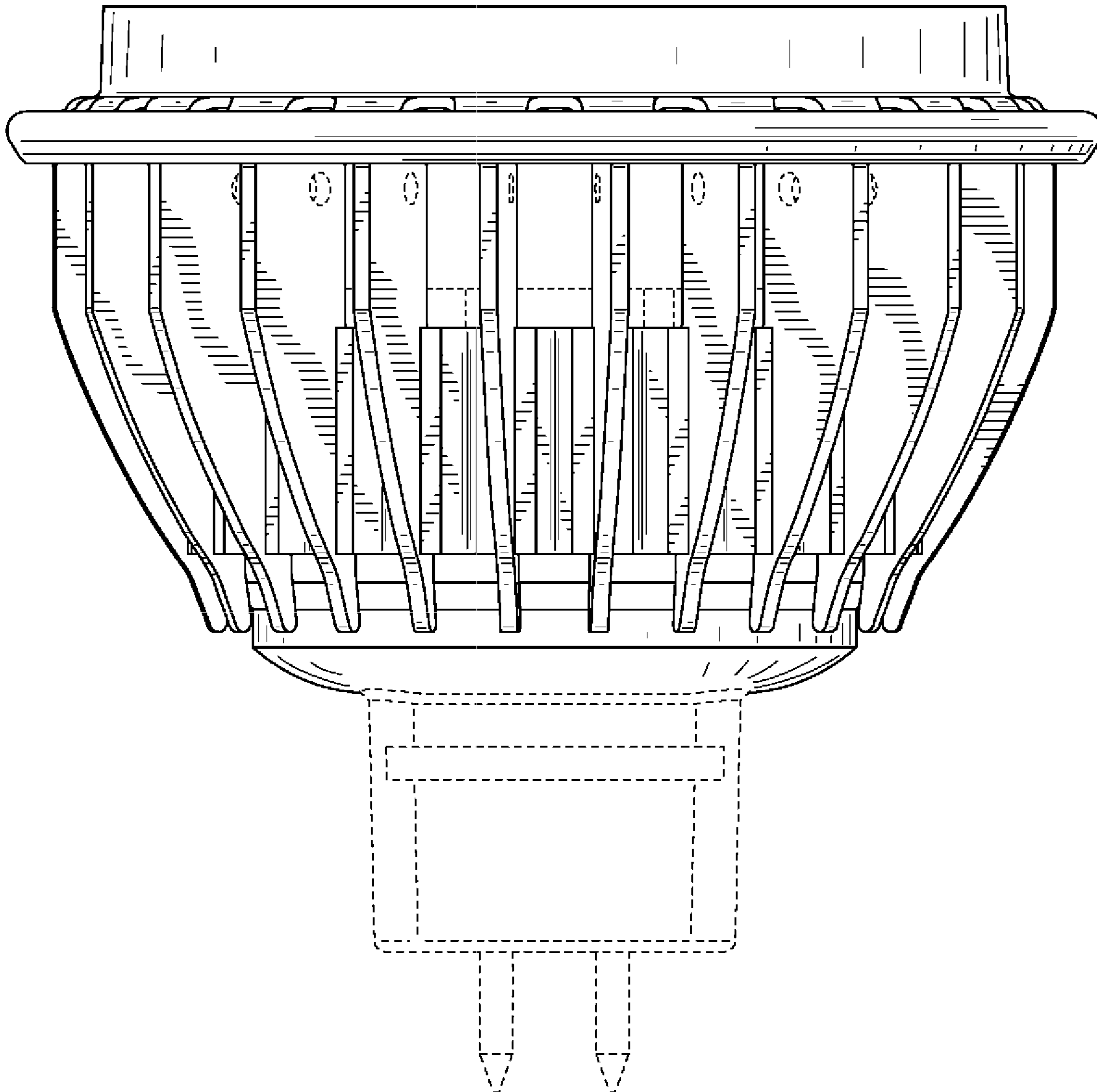


FIG. 20

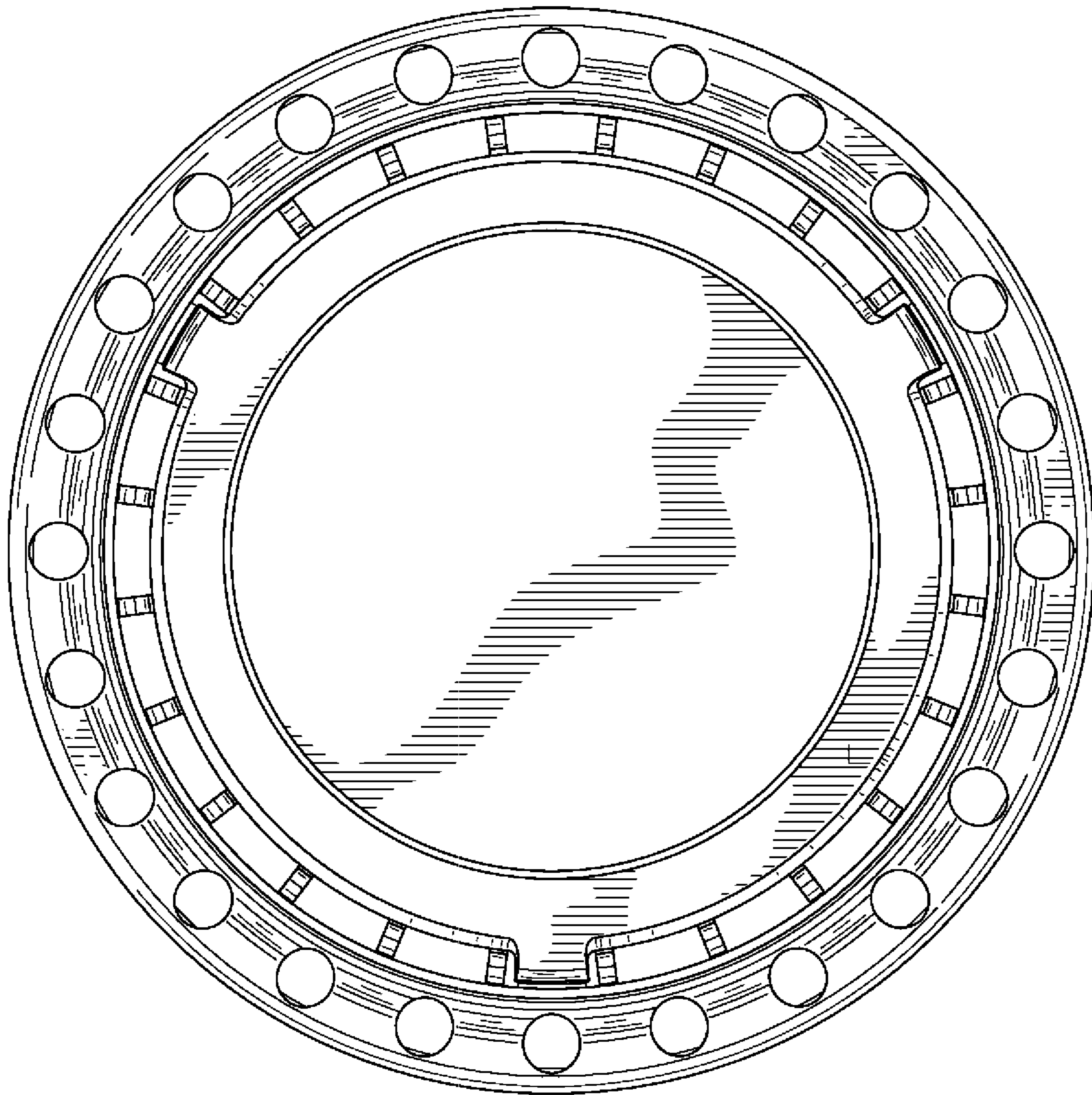


FIG. 21

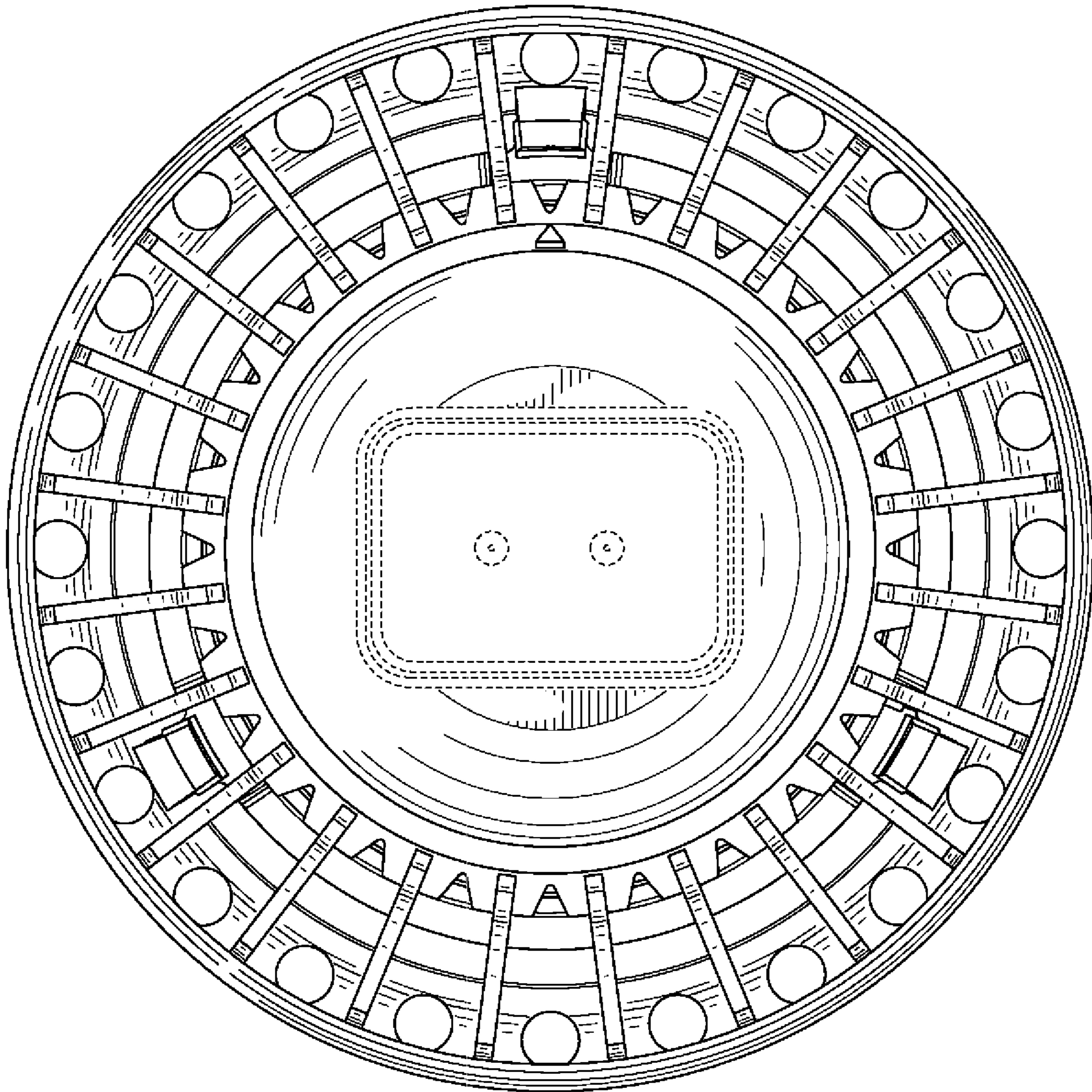


FIG. 22

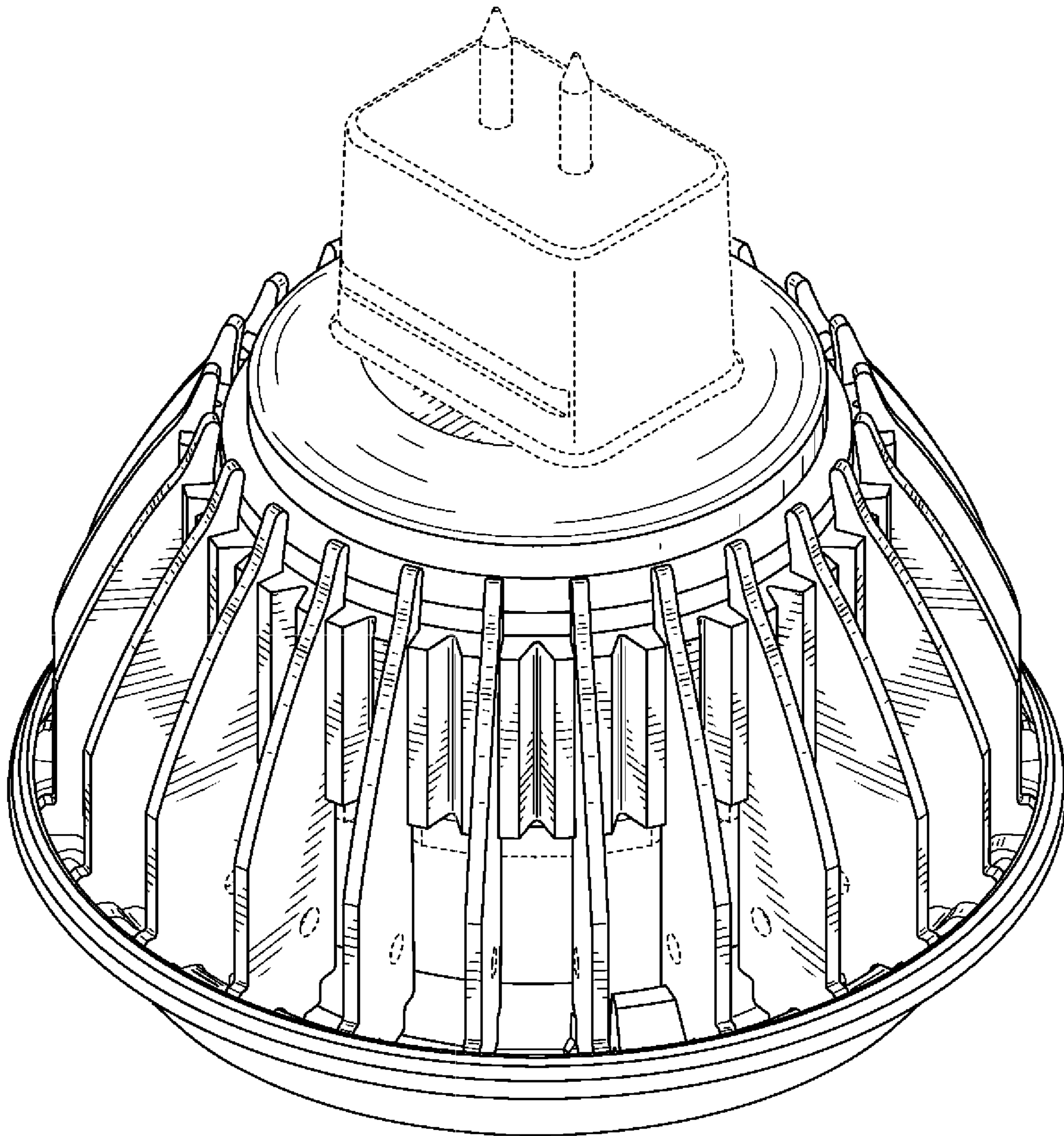


FIG. 23

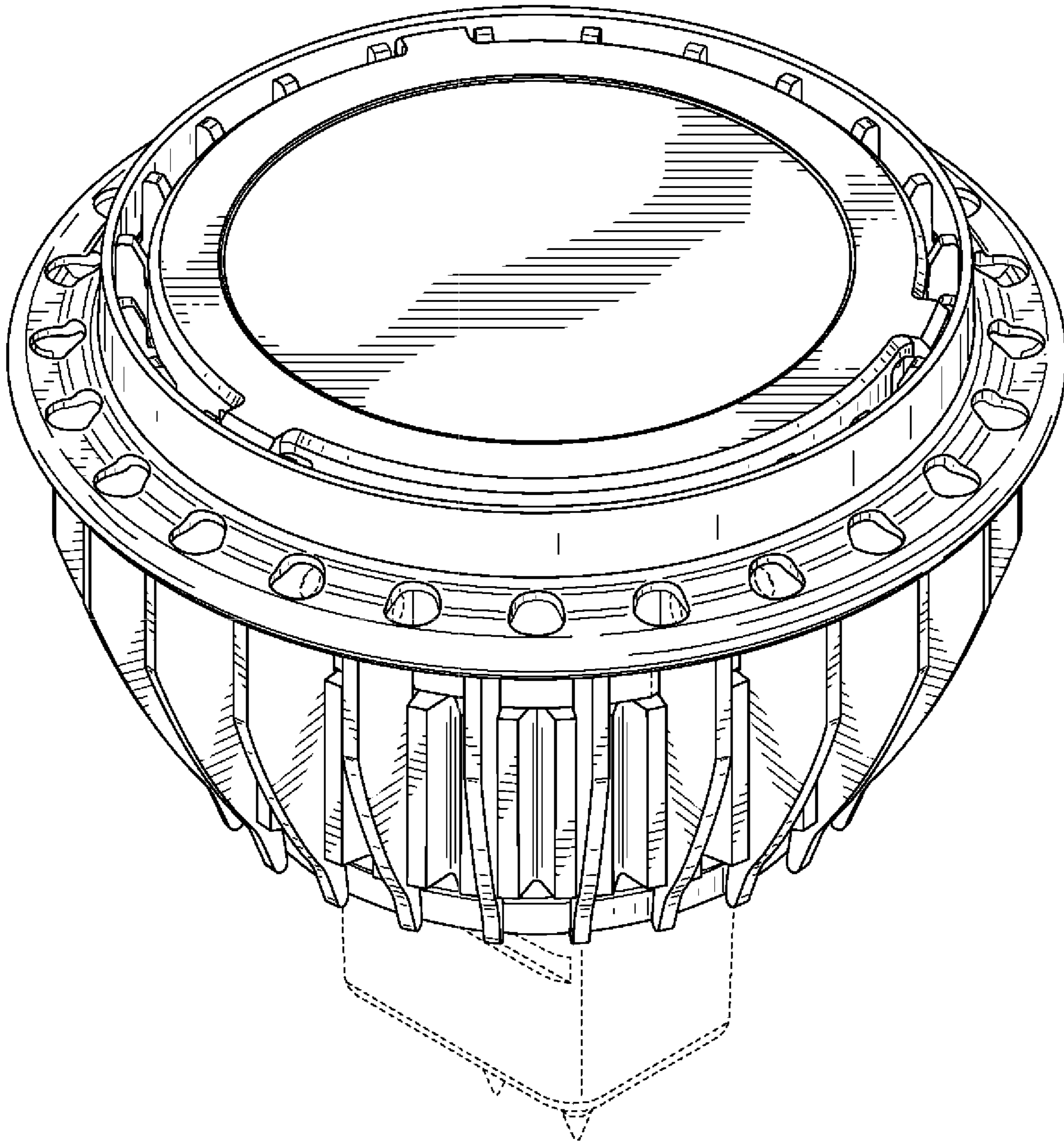


FIG. 24