



US00D754886S

(12) **United States Design Patent**  
**Koenig, Jr. et al.**

(10) **Patent No.:** **US D754,886 S**

(45) **Date of Patent:** **\*\* Apr. 26, 2016**

(54) **WALL TRIMMING STRIP**

(71) Applicant: **Trim-Tex, Inc.**, Lincolnwood, IL (US)

(72) Inventors: **Joseph M. Koenig, Jr.**, Glenview, IL (US); **Mark Budzik**, Des Plaines, IL (US); **Adam Jaworecki**, Arlington Heights, IL (US); **Noe Perez**, Naperville, IL (US)

(73) Assignee: **Trim-Tex, Inc.**, Lincolnwood, IL (US)

(\*\*) Term: **14 Years**

(21) Appl. No.: **29/487,082**

(22) Filed: **Apr. 4, 2014**

(51) **LOC (10) Cl.** ..... **25-01**

(52) **U.S. Cl.**  
USPC ..... **D25/164**; D25/55; D25/136

(58) **Field of Classification Search**  
USPC ..... D25/55, 136, 164  
CPC ..... E04F 2013/063; E04F 2013/061;  
E04F 13/0733; E04F 19/028; E04F 19/061;  
E04F 19/022; E04F 19/062

See application file for complete search history.

(56) **References Cited**

U.S. PATENT DOCUMENTS

2,862,264	A *	12/1958	Perna .....	E04F 19/028 52/276
4,843,771	A *	7/1989	Chapman .....	E04F 19/022 52/288.1
6,148,573	A *	11/2000	Smythe, Jr. ....	B32B 29/00 52/255
D601,274	S *	9/2009	Koenig, Jr. ....	D25/164
7,788,865	B2	9/2010	Koenig, Jr. et al.	

\* cited by examiner

*Primary Examiner* — Doris Clark

(74) *Attorney, Agent, or Firm* — Levenfeld Pearlstein, LLC

(57) **CLAIM**

The ornamental design for a wall trimming strip, as shown and described.

**DESCRIPTION**

FIG. 1 is a top front perspective view of a wall trimming strip embodying our new design; FIG. 2 is a front view thereof, a left-hand side view being a mirror image thereof; FIG. 3 is a right-hand side view as seen from FIG. 2, a rear view being a mirror image thereof; and, FIG. 4 is an end view thereof, the opposite end view being a mirror image thereof. The broken lines are for illustrative purposes only and form no part of the claimed design.

**1 Claim, 2 Drawing Sheets**

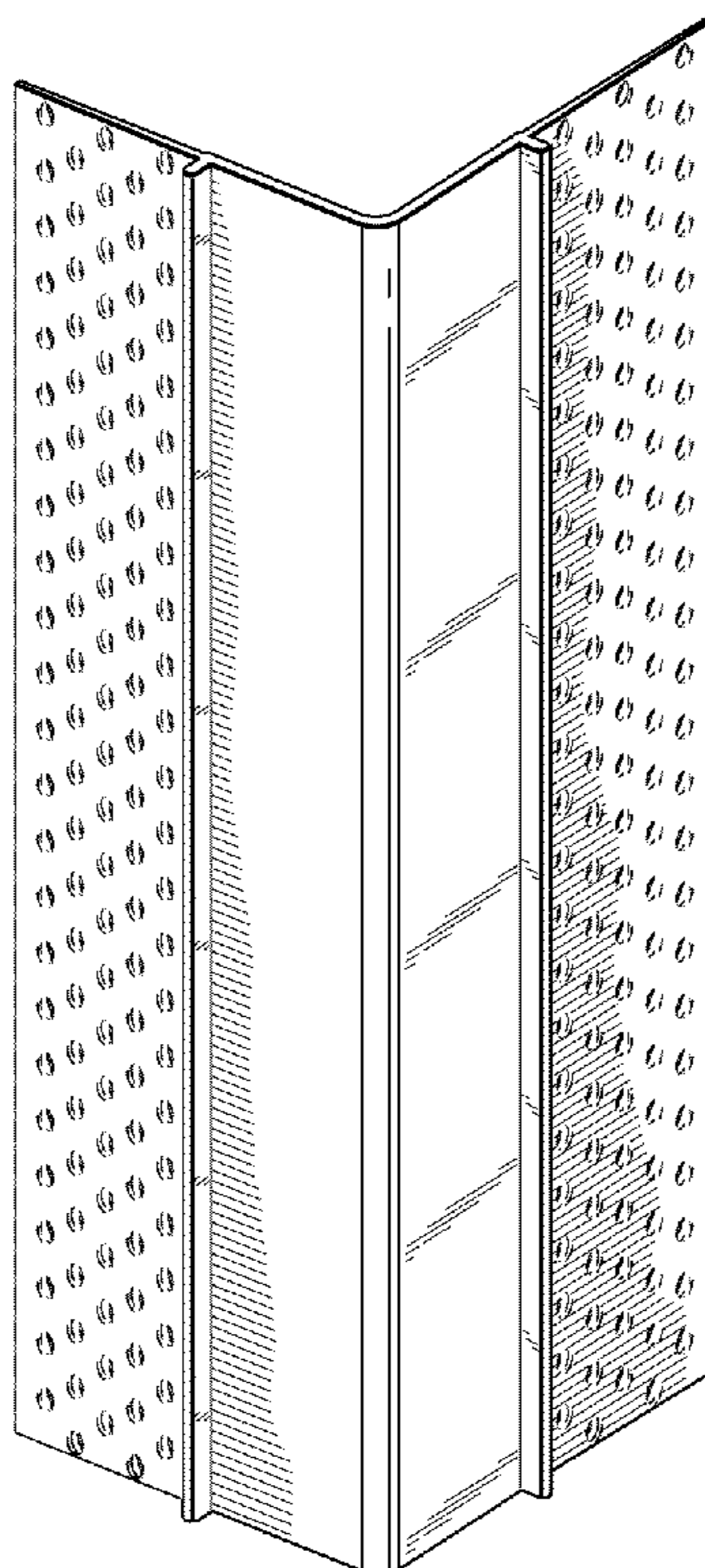
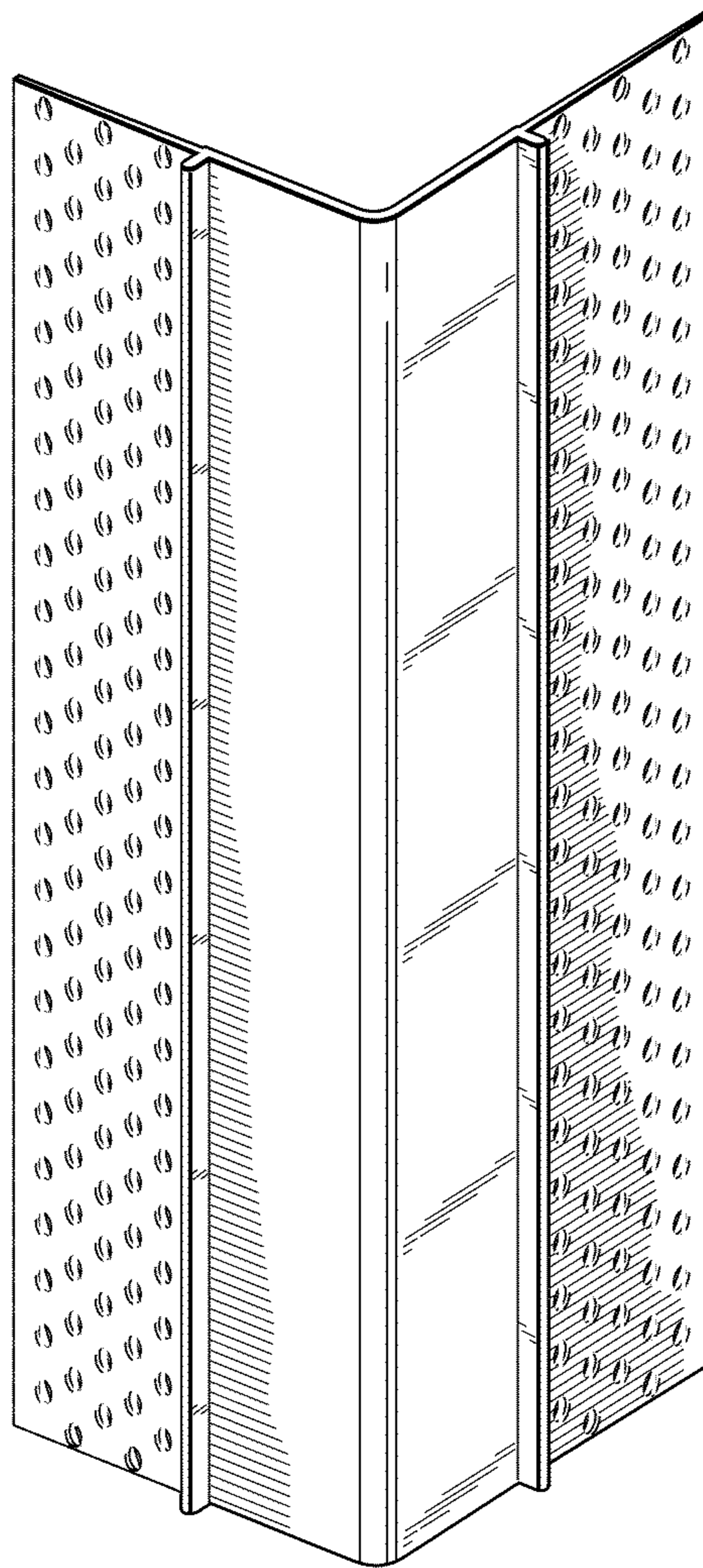
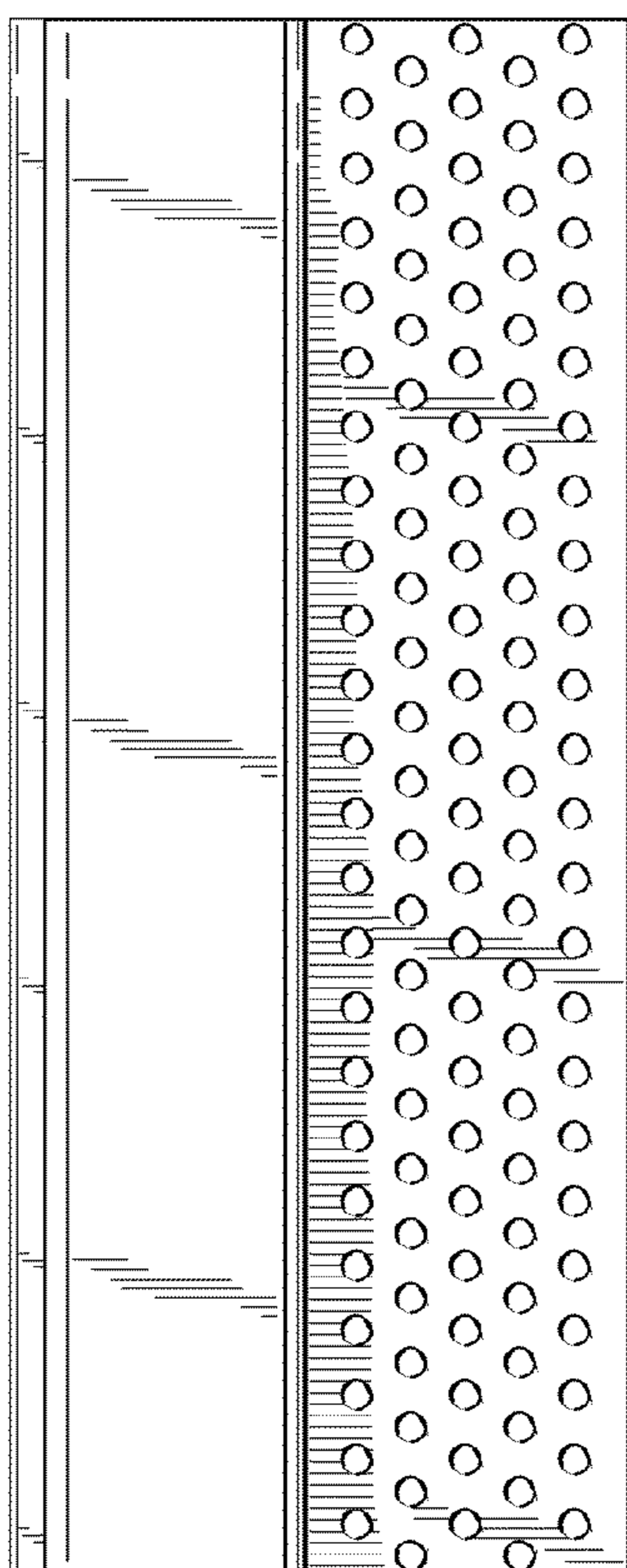


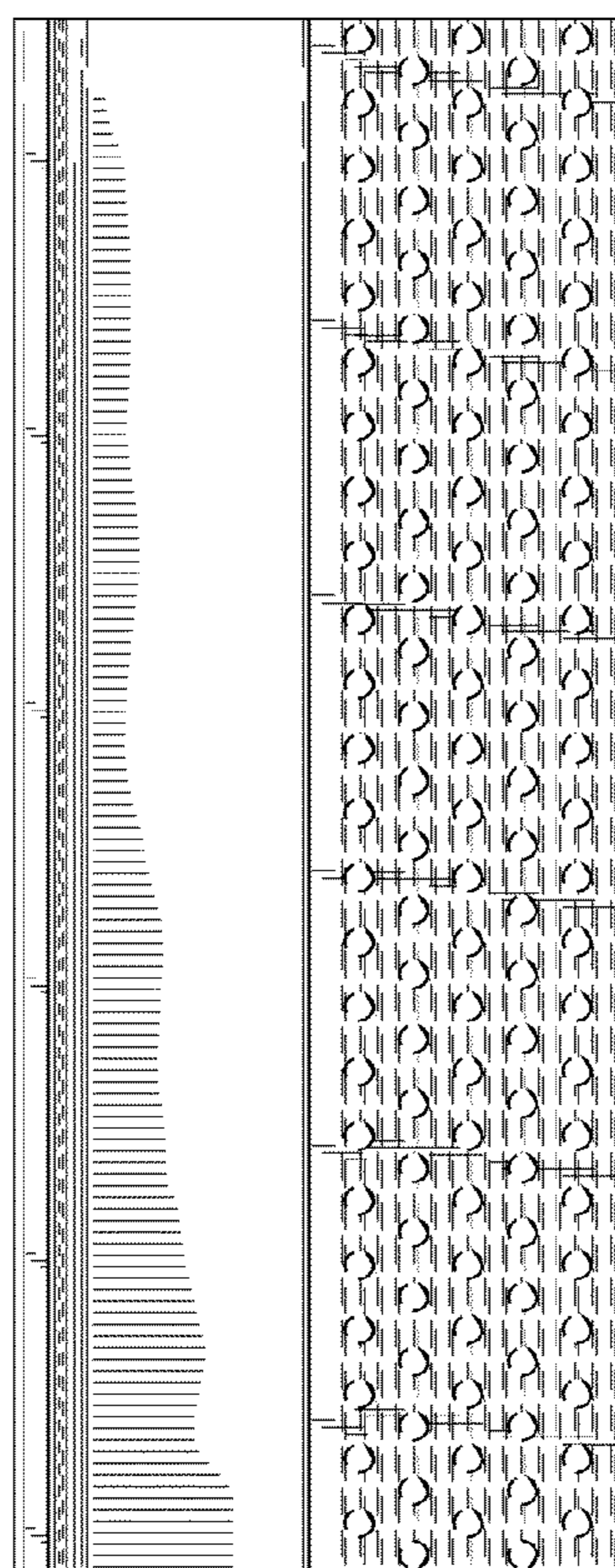
Fig. 1



**Fig. 2**



**Fig. 3**



**Fig. 4**

