



US00D754882S

(12) **United States Design Patent**  
**Hatch et al.**

(10) **Patent No.:** **US D754,882 S**  
(45) **Date of Patent:** **\*\* Apr. 26, 2016**

(54) **COMBINED PANEL TRIM AND FLASHING**

5,836,113 A \* 11/1998 Bachman ..... E04D 13/158  
52/287.1

(71) Applicants: **William Michael Hatch**, Peoria, AZ  
(US); **Phil De La O, Jr.**, Glendale, AZ  
(US)

6,186,605 B1 2/2001 Nelson  
D443,073 S \* 5/2001 Wilson ..... D25/102  
D489,832 S \* 5/2004 Koenig, Jr. .... D25/136  
6,802,161 B1 10/2004 Robinson  
D528,669 S \* 9/2006 Zarb ..... D25/136  
D599,916 S \* 9/2009 Polston ..... D25/136  
7,823,336 B2 11/2010 Brochu et al.  
8,468,767 B1 \* 6/2013 McBride ..... E04B 1/40  
52/461

(72) Inventors: **William Michael Hatch**, Peoria, AZ  
(US); **Phil De La O, Jr.**, Glendale, AZ  
(US)

(\*\*) Term: **14 Years**

(Continued)

(21) Appl. No.: **29/494,837**

FOREIGN PATENT DOCUMENTS

(22) Filed: **Jun. 24, 2014**

CN 202915027 U 5/2013  
JP 4611133 1/2011  
WO 9410404 5/1994

(51) **LOC (10) Cl.** ..... **25-01**

(52) **U.S. Cl.**  
USPC ..... **D25/136**

*Primary Examiner* — Doris Clark

(74) *Attorney, Agent, or Firm* — Bryan Cave LLP

(58) **Field of Classification Search**

USPC ..... D25/102, 136  
CPC ... E04F 19/161; E04F 19/064; E04F 13/0828;  
E04F 13/0862; E04F 21/053; E04F 19/04;  
E04F 19/0436; E04F 19/02; E04F 19/0495;  
E04F 19/062; E04F 19/0486; E04B 2002/867;  
E04B 2002/725; E04B 2002/7446; E04B  
2001/3282; E04B 2/962; E04B 2002/7418;  
E04B 2002/742; E04B 2002/8676; E04B  
2002/74; E04B 2/90; E04B 2/828; E04B 2/76;  
E04B 1/2403; E04B 2002/028; E04B  
2002/0282; E06B 2003/6291; E06B  
2003/6294; E06B 1/00

(57) **CLAIM**

We claim the ornamental design for a combined panel trim and flashing, as shown and described.

See application file for complete search history.

**DESCRIPTION**

FIG. 1 is a perspective view of a first embodiment of a combined panel trim and flashing;

FIG. 2 is a perspective view of the first embodiment of a combined panel trim and flashing, the broken lines are for illustrative purposes only and form no part of the claimed design.

FIG. 3 is a top view thereof of the first embodiment;

FIG. 4 is a bottom view thereof of the first embodiment;

FIG. 5 is a right view thereof of the first embodiment, the left view of the first embodiment being a mirror image of the right view;

FIG. 6 is a front view thereof of the first embodiment;

FIG. 7 is a rear view thereof of the first embodiment; and,

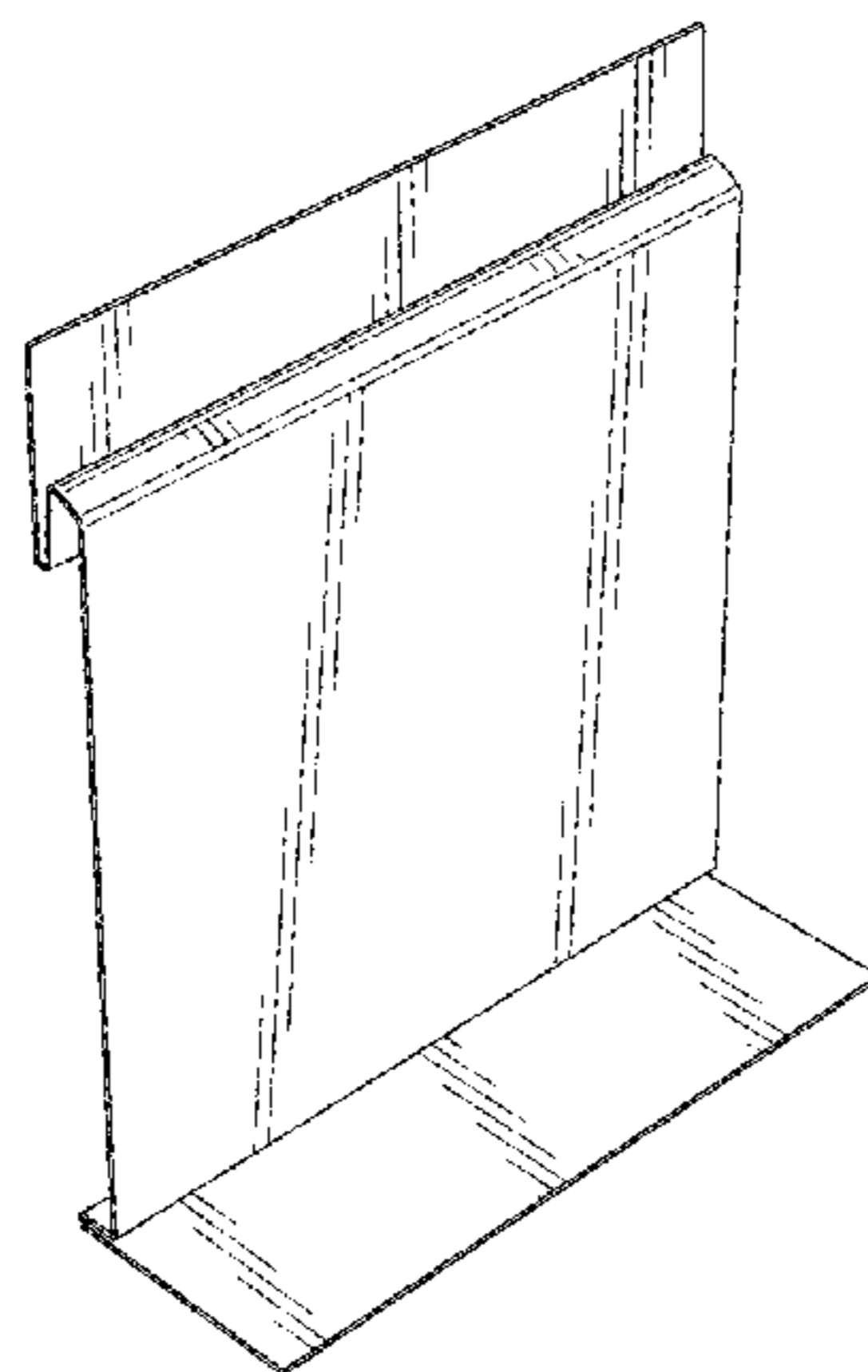
FIG. 8 is a perspective view of a second embodiment of a combined panel trim and flashing, the only difference being the bottom groove orientation and arcuate shape of the bottom panel.

(56) **References Cited**

U.S. PATENT DOCUMENTS

3,158,960 A 12/1964 Newton et al.  
3,188,772 A \* 6/1965 Tennison, Jr. .... E04D 13/15  
52/11  
3,237,352 A 3/1966 Edwards  
3,242,622 A 3/1966 Snead  
3,735,538 A 5/1973 Ramins  
4,663,906 A \* 5/1987 Weinar ..... E04F 13/06  
52/288.1  
5,090,174 A \* 2/1992 Fragale ..... E04C 2/292  
52/276

**1 Claim, 5 Drawing Sheets**



(56)

**References Cited**

U.S. PATENT DOCUMENTS

8,495,844	B1 *	7/2013	Johnson, Sr. ....	E04F 19/061 52/238.1	2008/0295439	A1 *	12/2008	Janesky .....	E04B 1/7023 52/589.1
2001/0039774	A1	11/2001	Beirise et al.		2009/0056252	A1 *	3/2009	Taylor .....	E04F 19/061 52/287.1
2003/0213195	A1	11/2003	Mathis et al.		2009/0139167	A1 *	6/2009	Donaldson .....	B62D 33/046 52/272
2005/0257443	A1	11/2005	Lin		2011/0179733	A1	7/2011	Picken	
2007/0199269	A1 *	8/2007	Mees .....	E04B 2/8617 52/426	2012/0102849	A1	5/2012	Shugart	
2008/0005986	A1 *	1/2008	Thompson .....	E04B 2/82 52/290	2013/0255171	A1	10/2013	Rutherford	

\* cited by examiner

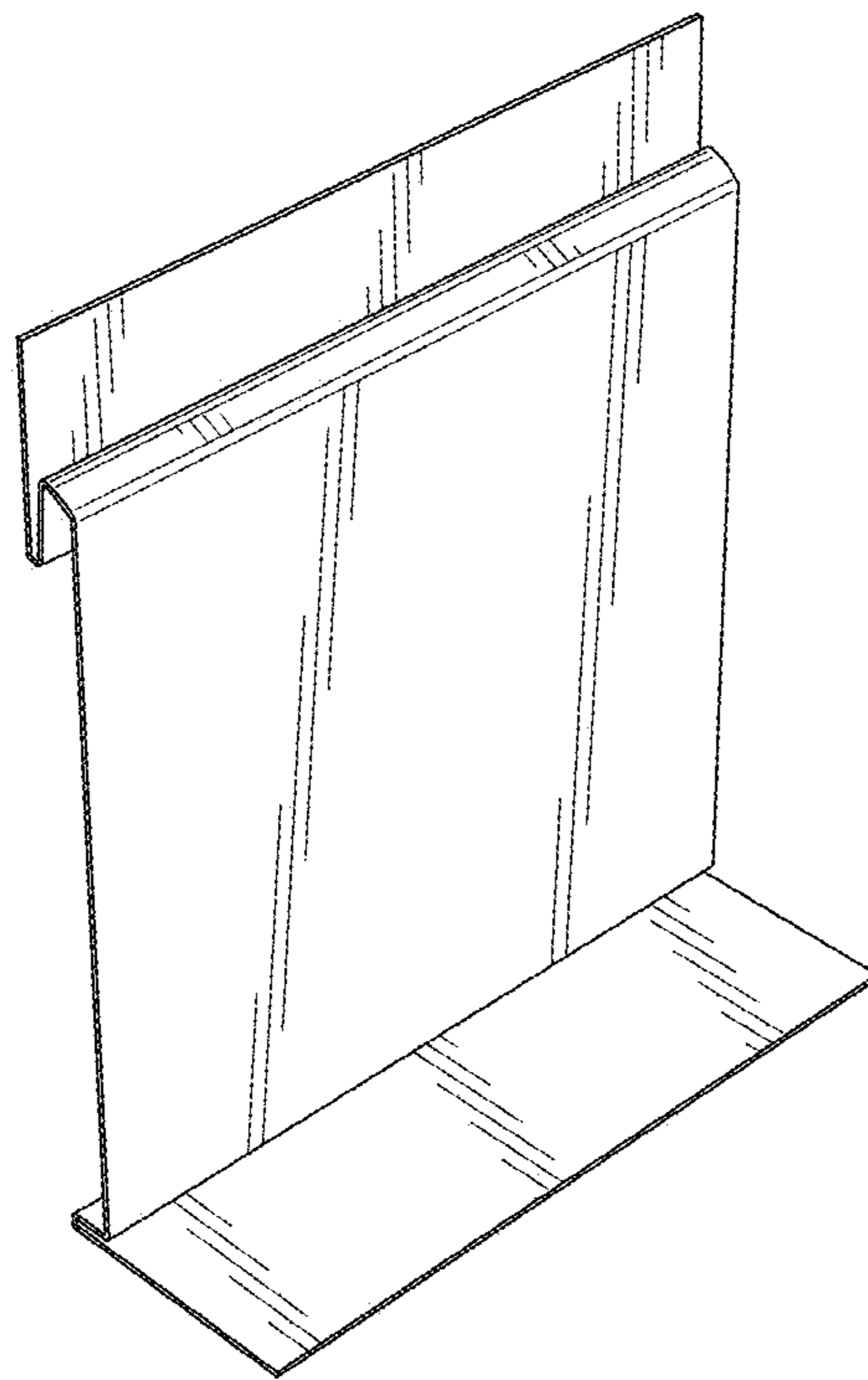


FIG. 1

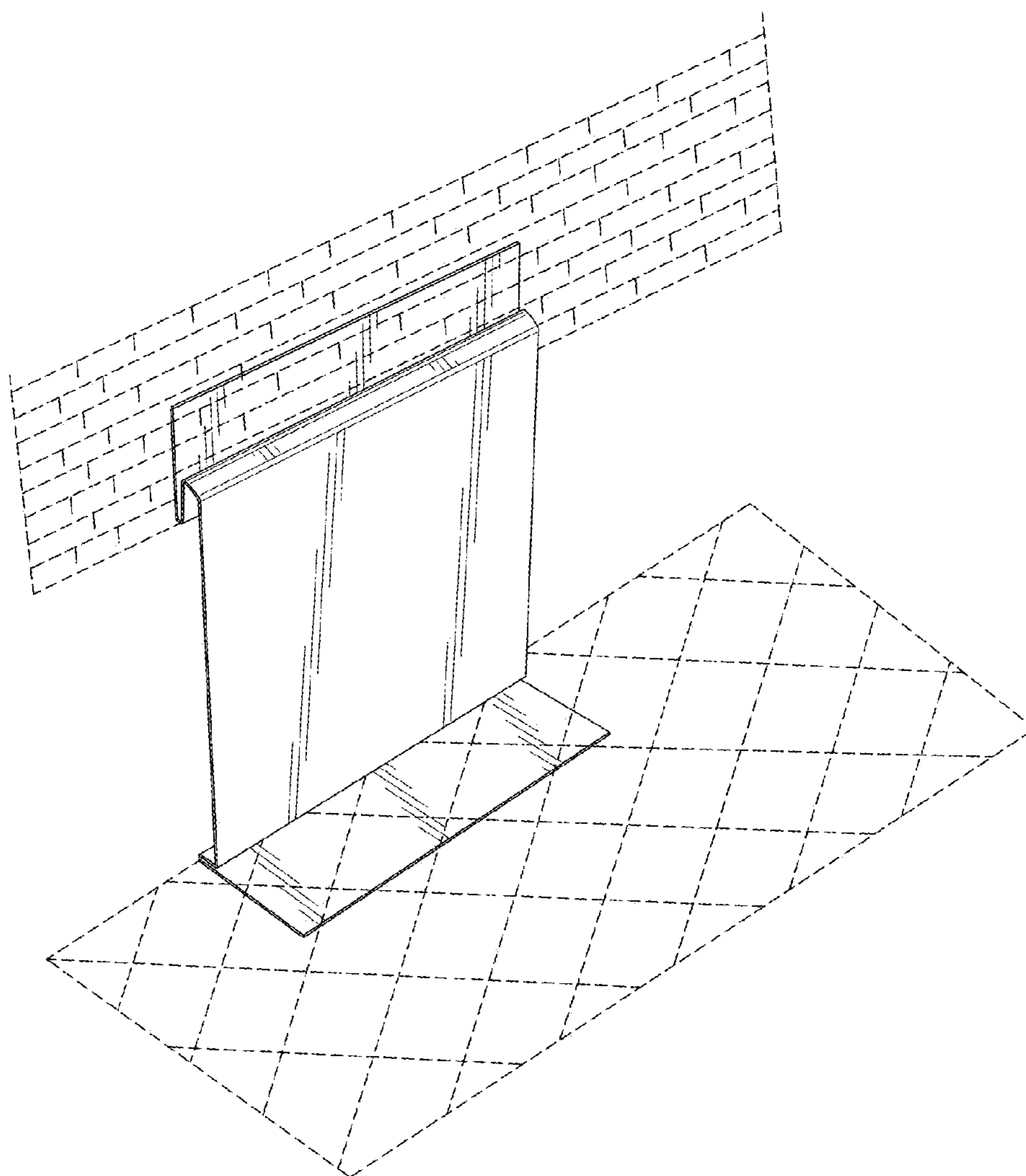


FIG. 2

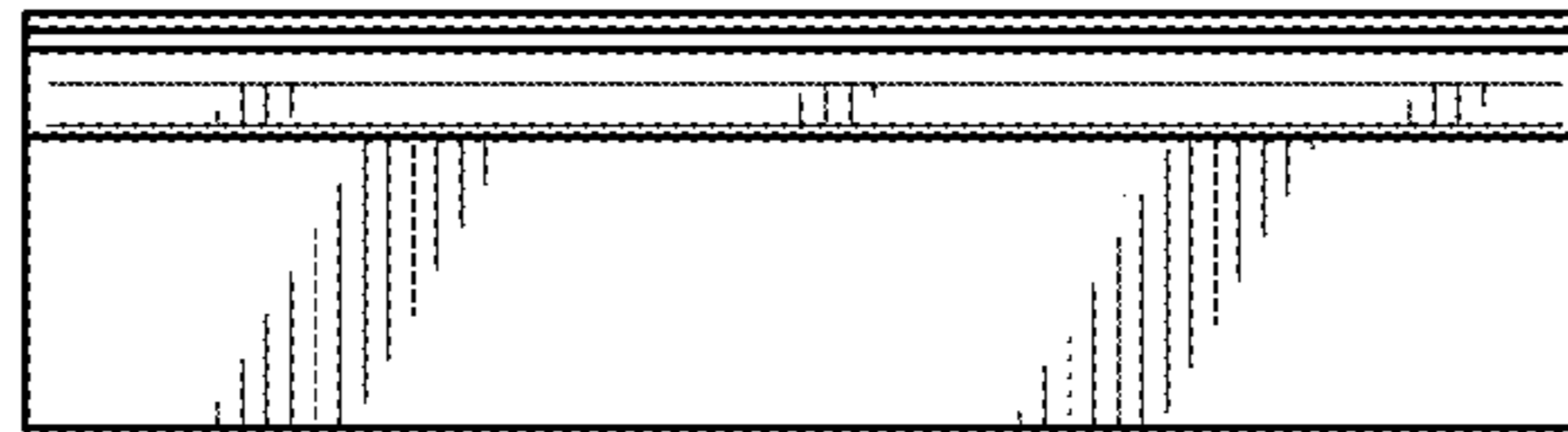


FIG. 3

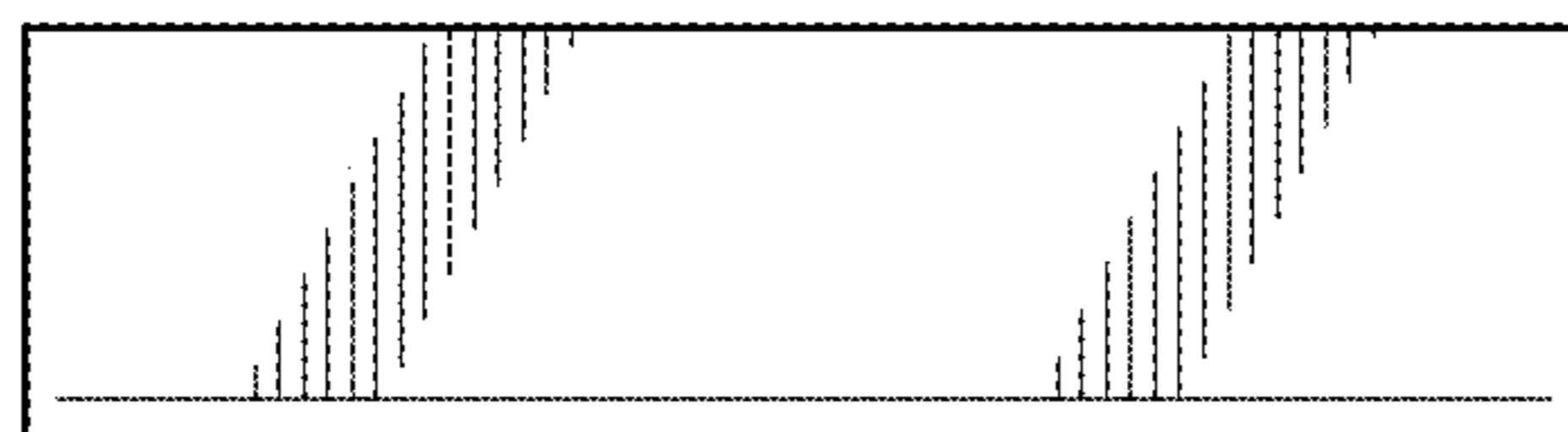


FIG. 4

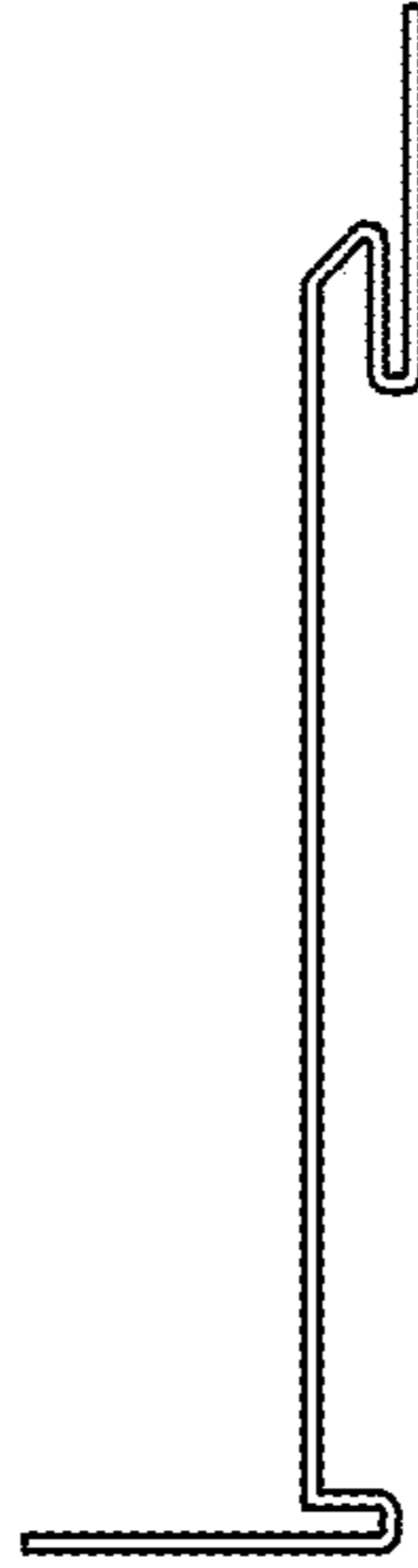


FIG. 5

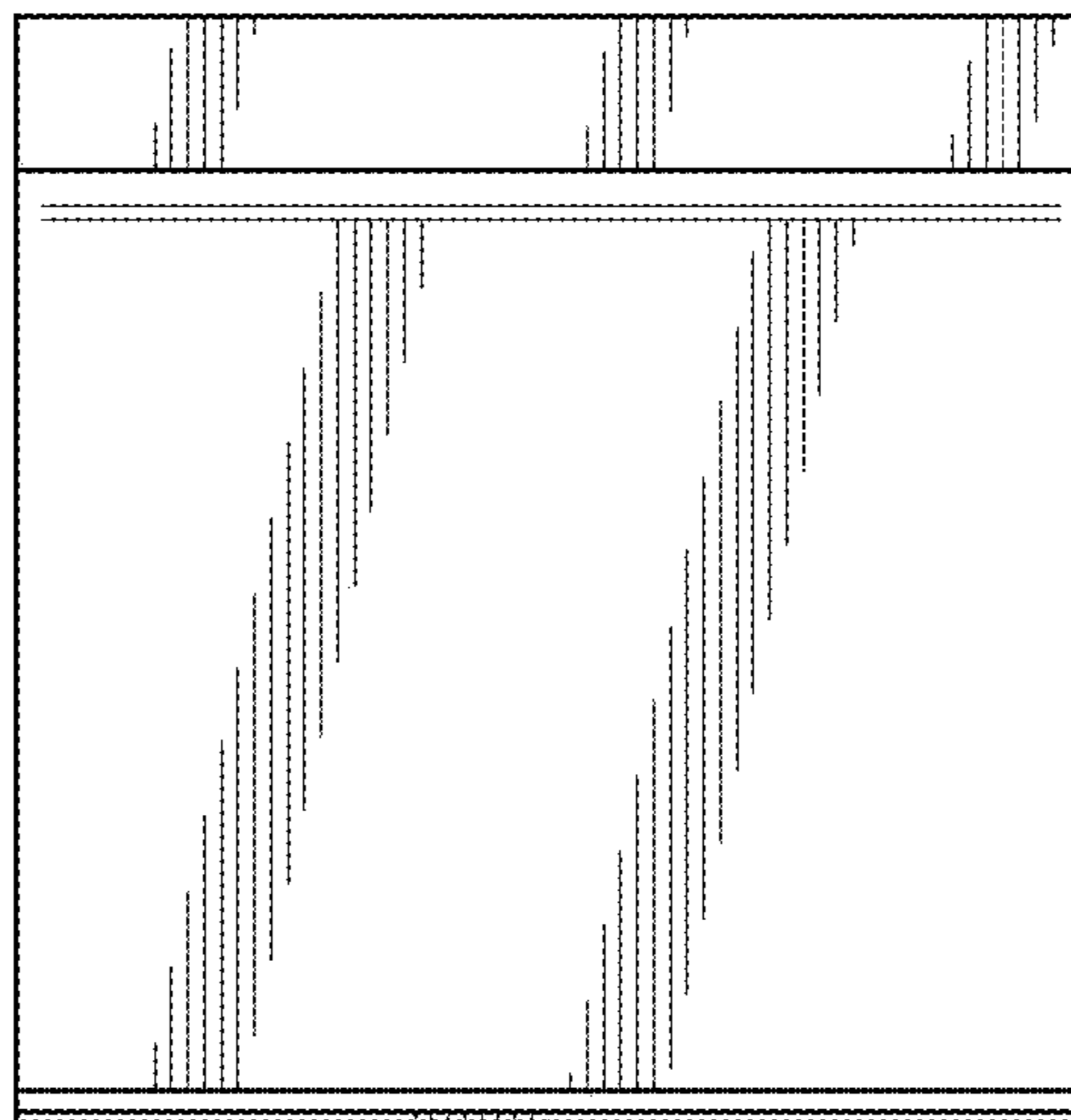


FIG. 6

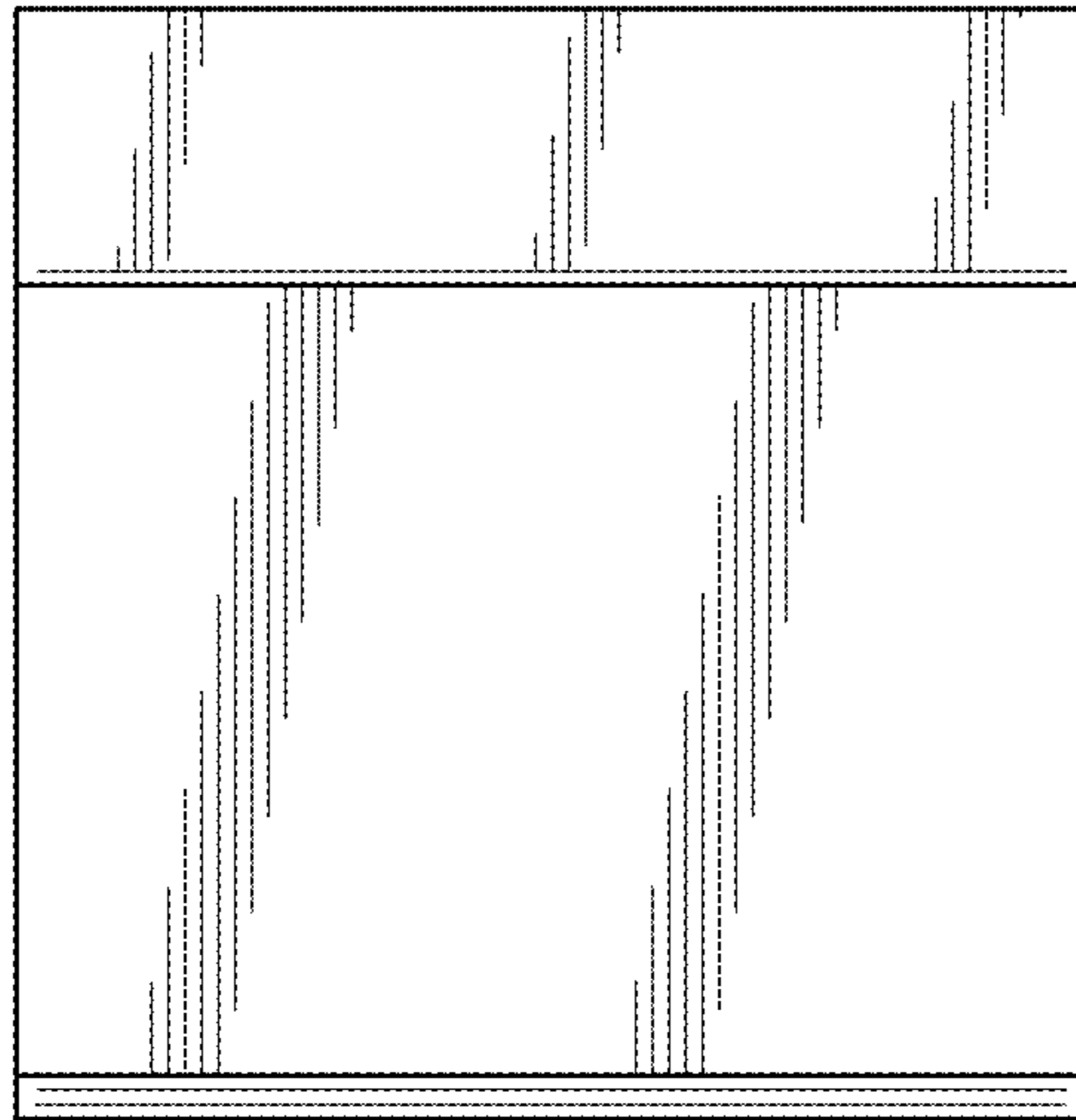


FIG. 7

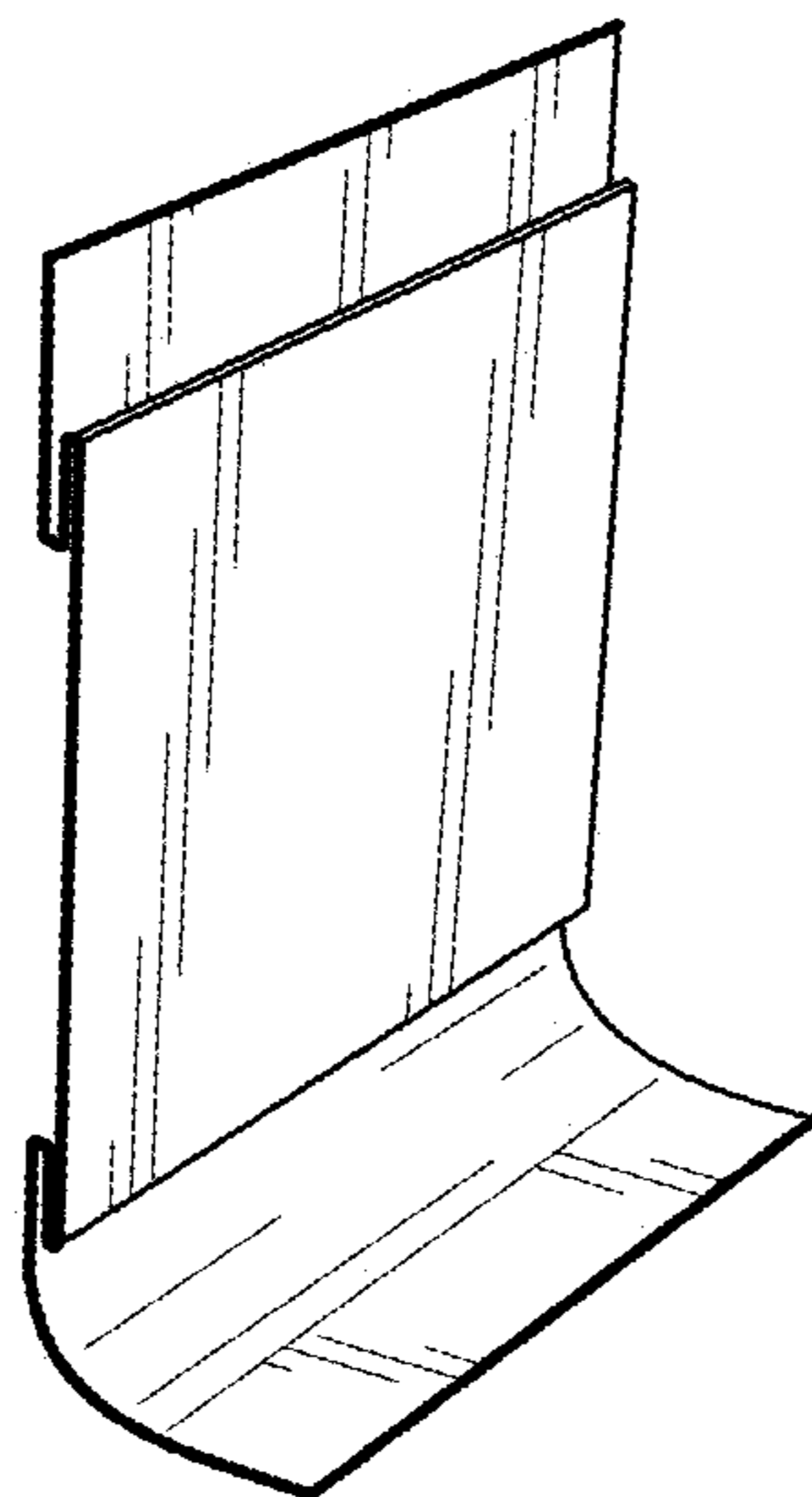


FIG. 8