

US00D754881S

(12) **United States Design Patent**
Hatch et al.

(10) **Patent No.:** **US D754,881 S**
(45) **Date of Patent:** **** Apr. 26, 2016**

- (54) **PANEL DIVIDER TRIM**
- (71) Applicants: **William Michael Hatch**, Peoria, AZ
(US); **Phil De La O, Jr.**, Glendale, AZ
(US)
- (72) Inventors: **William Michael Hatch**, Peoria, AZ
(US); **Phil De La O, Jr.**, Glendale, AZ
(US)
- (**) Term: **14 Years**
- (21) Appl. No.: **29/494,827**
- (22) Filed: **Jun. 24, 2014**
- (51) **LOC (10) Cl.** **25-01**
- (52) **U.S. Cl.**
USPC **D25/136**
- (58) **Field of Classification Search**
USPC D25/102, 136
CPC ... E04F 19/161; E04F 19/064; E04F 13/0828;
E04F 13/0862; E04F 21/053; E04F 19/04;
E04F 19/0436; E04F 19/02; E04F 19/0495;
E04F 19/062; E04F 19/0486; E04B 2002/867;
E04B 2002/725; E04B 2002/7446; E04B
2001/3282; E04B 2/962; E04B 2002/7418;
E04B 2002/742; E04B 2002/8676; E04B
2002/74; E04B 2/90; E04B 2/828; E04B 2/76;
E04B 1/2403; E04B 2002/028; E04B
2002/0282; E06B 2003/6291; E06B
2003/6294; E06B 1/00
See application file for complete search history.

(56) **References Cited**
U.S. PATENT DOCUMENTS

- 3,158,960 A 12/1964 Newton et al.
- 3,188,772 A * 6/1965 Tennison, Jr. E04D 13/15
52/11
- 3,237,352 A 3/1966 Edwards
- 3,242,622 A 3/1966 Snead
- 3,735,538 A 5/1973 Ramins

- 4,663,906 A * 5/1987 Weinar E04F 13/06
52/288.1
- 5,090,174 A * 2/1992 Fragale E04C 2/292
52/276
- 5,836,113 A * 11/1998 Bachman E04D 13/158
52/287.1
- 6,186,605 B1 2/2001 Nelson
- D443,073 S * 5/2001 Wilson D25/102
- D489,832 S * 5/2004 Koenig, Jr. D25/136
- 6,802,161 B1 10/2004 Robinson
- D528,669 S * 9/2006 Zarb D25/136
- D599,916 S * 9/2009 Polston D25/136
- 7,823,336 B2 11/2010 Brochu et al.
- 8,468,767 B1 * 6/2013 McBride E04B 1/40
52/461
- 8,495,844 B1 * 7/2013 Johnson, Sr. E04F 19/061
52/238.1

(Continued)

FOREIGN PATENT DOCUMENTS

- CN 202915027 U 5/2013
- JP 4611133 1/2011
- WO 9410404 5/1994

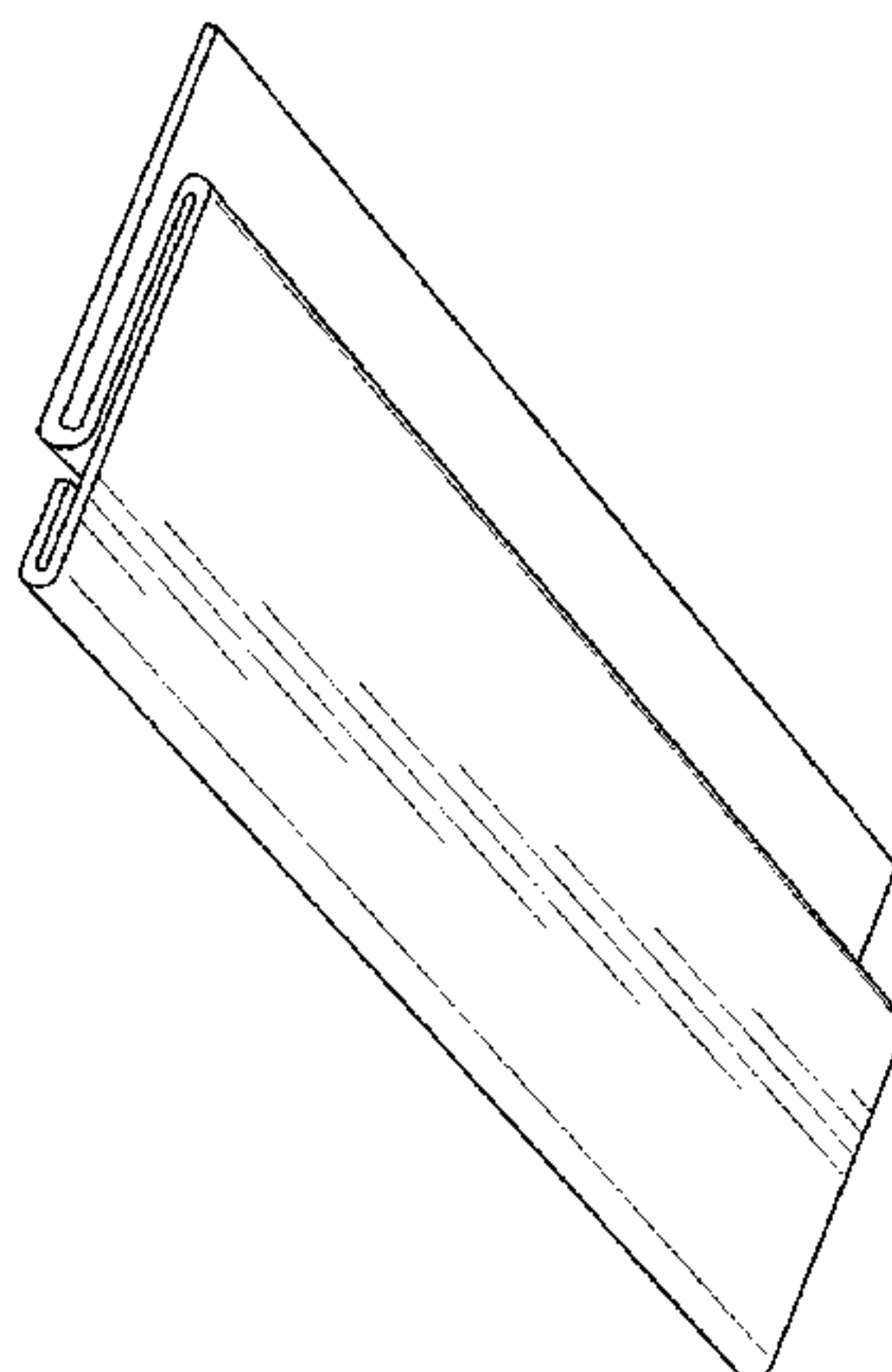
Primary Examiner — Doris Clark
(74) *Attorney, Agent, or Firm* — Bryan Cave LLP

(57) **CLAIM**
We claim the ornamental design for a panel divider trim, as shown and described.

DESCRIPTION

FIG. 1 is a perspective view of a panel divider trim;
FIG. 2 is a perspective view of a panel divider trim, the broken lines are for illustrative purposes only and form no part of the claimed design;
FIG. 3 is a front view thereof;
FIG. 4 is a rear view thereof;
FIG. 5 is a top view thereof the bottom view being a mirror image of the top view.
FIG. 6 is a right view thereof; and,
FIG. 7 is a left view thereof.

1 Claim, 5 Drawing Sheets



(56)

References Cited

U.S. PATENT DOCUMENTS

2001/0039774	A1	11/2001	Beirise et al.				
2003/0213195	A1	11/2003	Mathis et al.				
2005/0257443	A1	11/2005	Lin				
2007/0199269	A1*	8/2007	Mees	E04B 2/8617		
					52/426		
2008/0005986	A1*	1/2008	Thompson	E04B 2/82		
					52/290		
2008/0295439	A1*	12/2008	Janesky	E04B 1/7023		
					52/589.1		
2009/0056252	A1*	3/2009	Taylor	E04F 19/061		
					52/287.1		
2009/0139167	A1*	6/2009	Donaldson	B62D 33/046		
					52/272		
2011/0179733	A1	7/2011	Picken				
2012/0102849	A1	5/2012	Shugart				
2013/0255171	A1	10/2013	Rutherford				

* cited by examiner

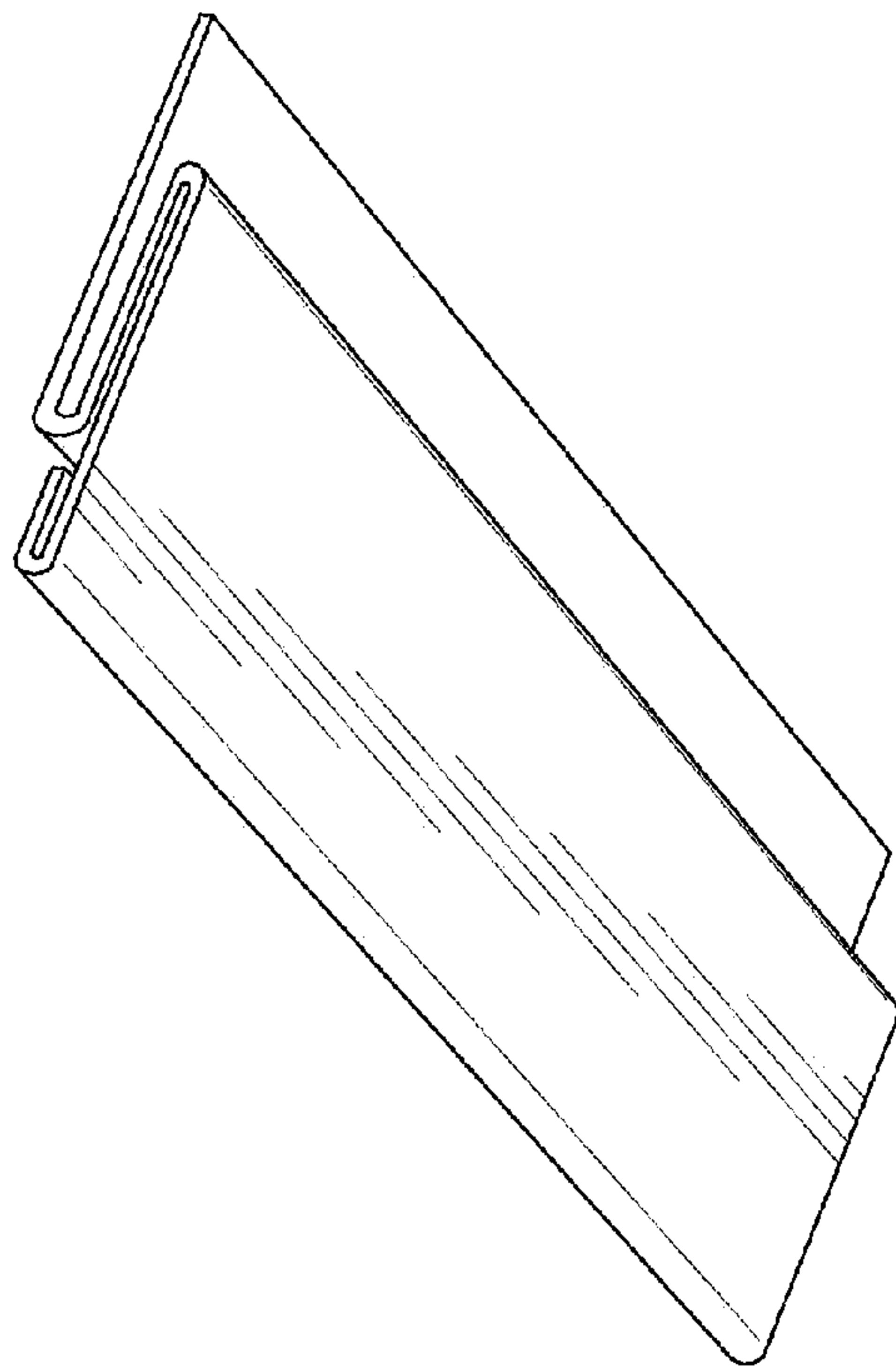


FIG. 1

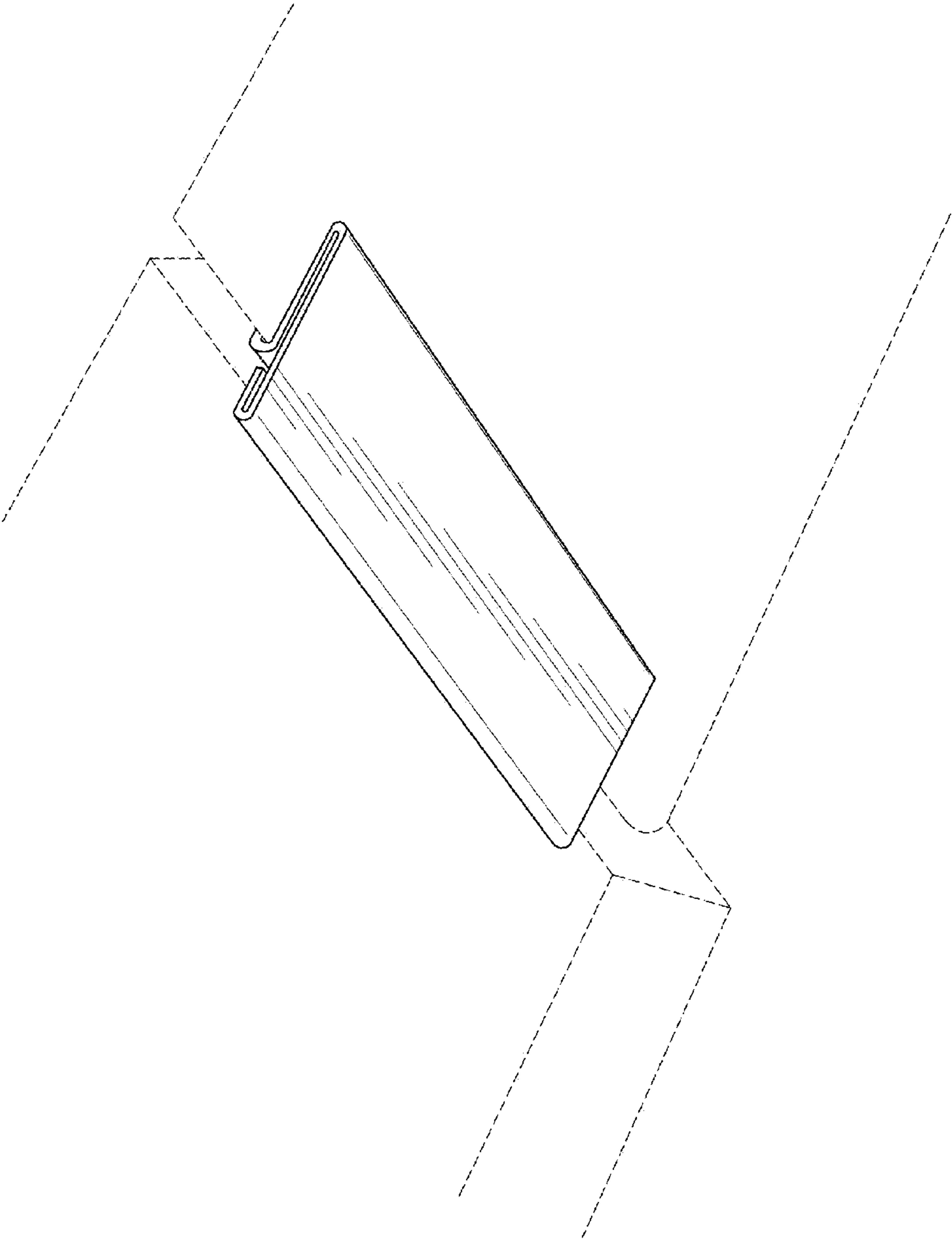


FIG. 2

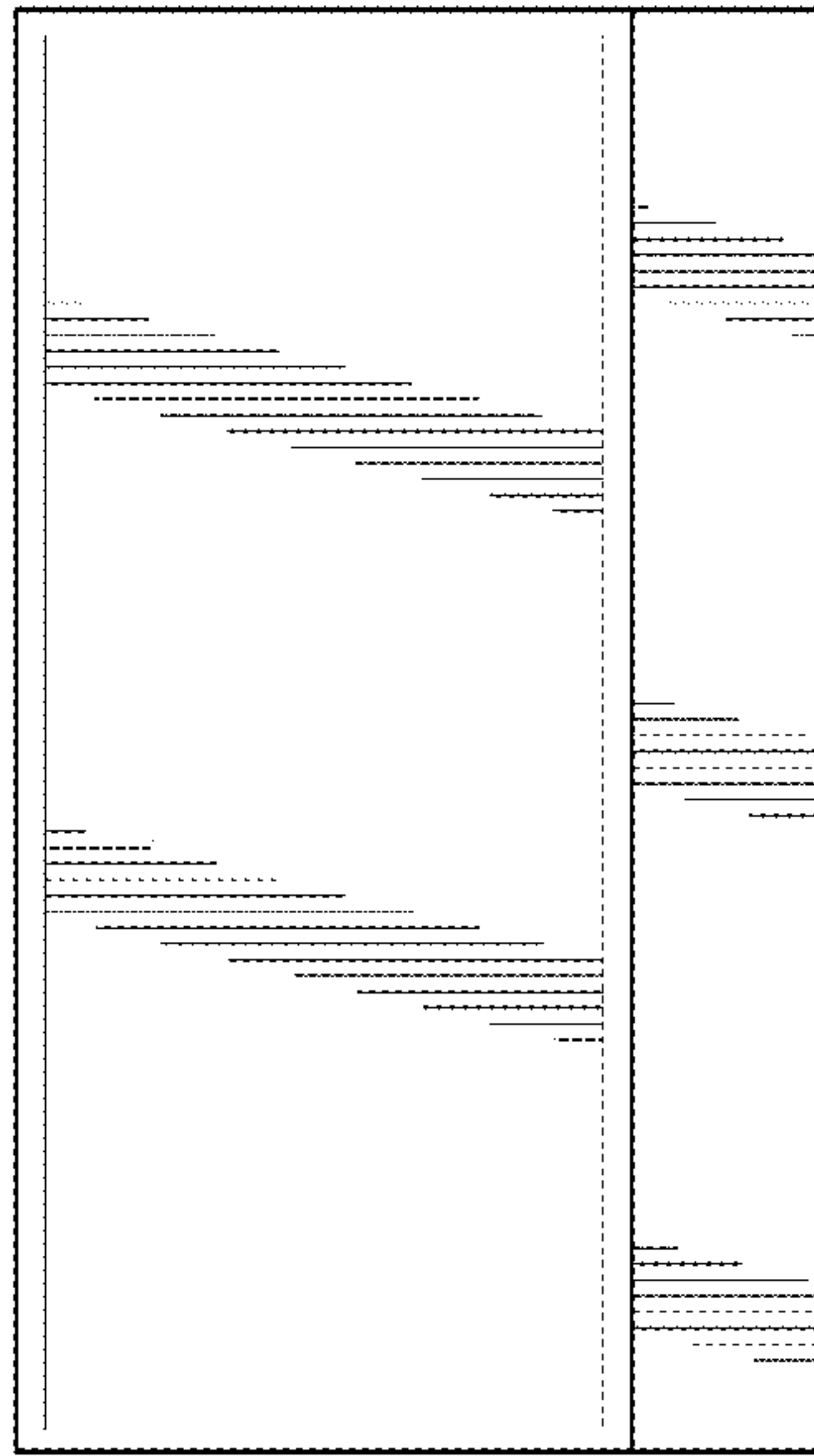


FIG. 3

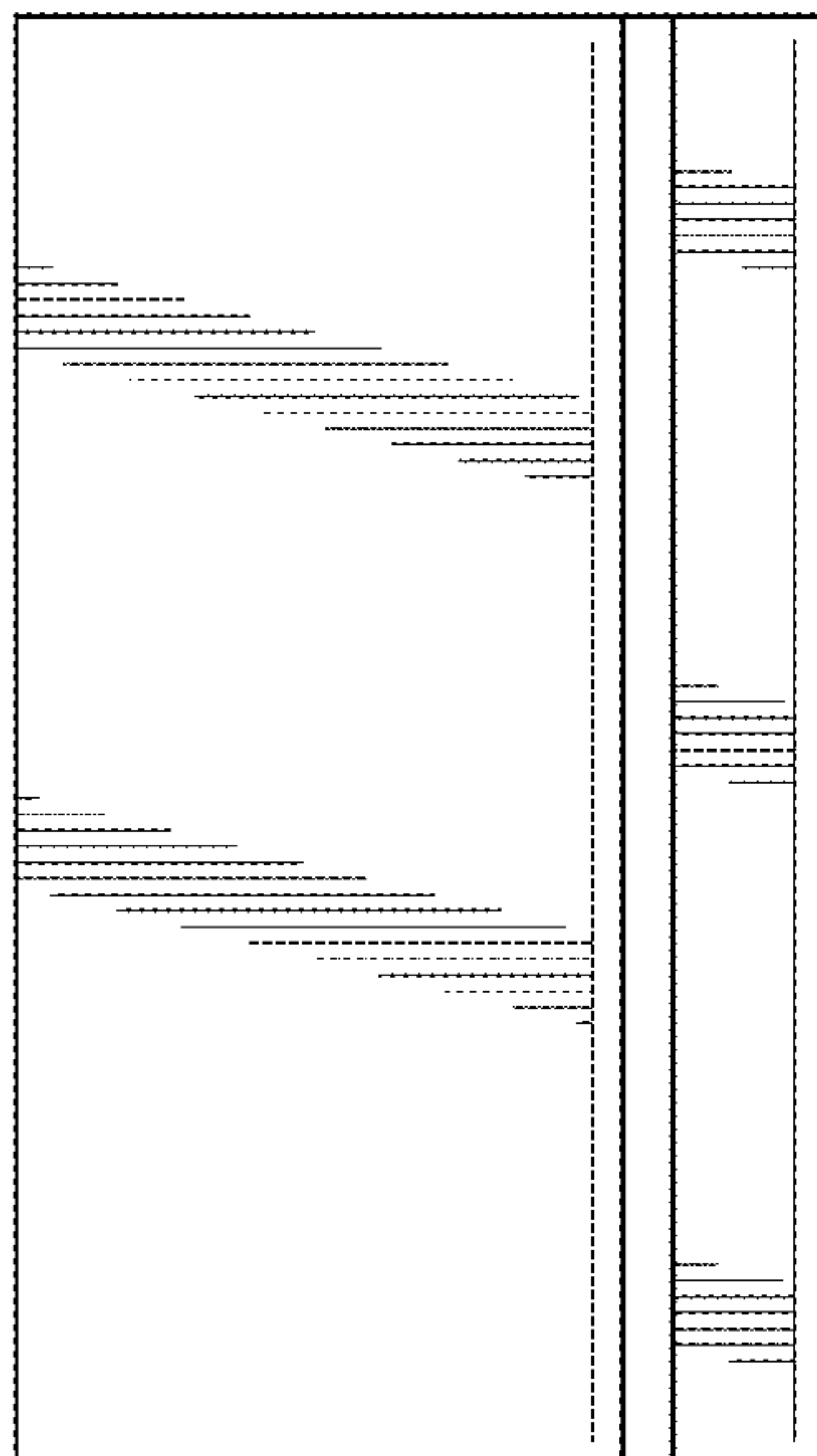


FIG. 4

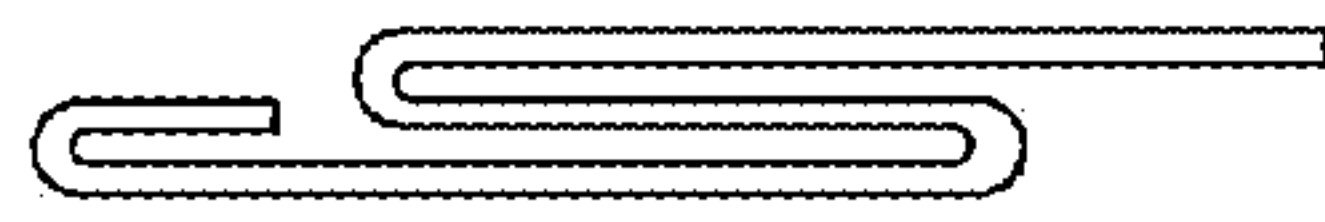


FIG. 5

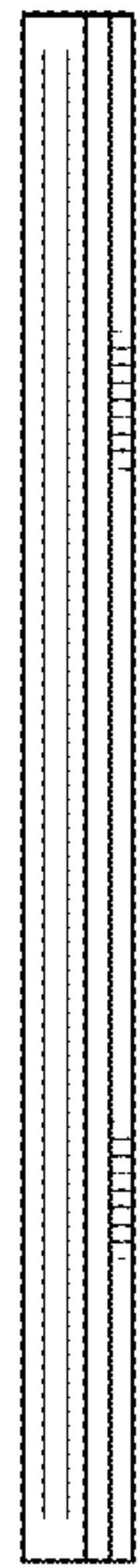


FIG. 6

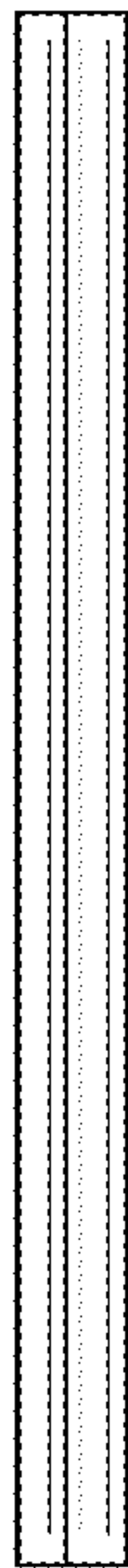


FIG. 7