



US00D754879S

(12) **United States Design Patent**
Fein et al.

(10) **Patent No.:** **US D754,879 S**
(45) **Date of Patent:** **** Apr. 26, 2016**

(54) **FRAME FOR AN UPHOLSTERED PANEL**

(71) Applicants: **Harvey Fein**, Long Island City, NY
(US); **Ross Fein**, Long Island City, NY
(US)

(72) Inventors: **Harvey Fein**, Long Island City, NY
(US); **Ross Fein**, Long Island City, NY
(US)

(**) Term: **14 Years**

(21) Appl. No.: **29/489,982**

(22) Filed: **May 5, 2014**

(51) **LOC (10) Cl.** **25-02**

(52) **U.S. Cl.**
USPC **D25/60**

(58) **Field of Classification Search**
USPC D25/60
CPC E04F 13/08; E04B 2/56; E04B 2/00;
E04B 2/72; E04B 2/76; E04B 2/80; E04B
1/84
See application file for complete search history.

(56) **References Cited**

U.S. PATENT DOCUMENTS

4,877,648	A *	10/1989	Sotelo	E04F 13/06 15/235.6
5,465,537	A *	11/1995	Fullwood	E06B 3/00 52/202
D414,563	S *	9/1999	Dobija	D25/60
D583,649	S *	12/2008	Parker	D8/349
D635,689	S *	4/2011	Van Faasen	D25/60
8,925,271	B1 *	1/2015	Bilge	E04B 1/40 52/506.05

* cited by examiner

Primary Examiner — Doris Clark

(74) *Attorney, Agent, or Firm* — Quickpatents, LLC; Kevin Prince

(57) **CLAIM**

We claim the ornamental design for a frame for an upholstered panel, as shown and described.

DESCRIPTION

FIG. 1 is a bottom perspective view of our upholstered panel surround, showing an endwall frame member, a midwall frame member, and a perimeter frame member in an assembled configuration;

FIG. 2 is a perspective view thereof, showing the endwall frame member, the midwall frame member of the frame for an upholstered panel and the perimeter frame member omitted for clarity of illustration;

FIG. 3 is a left-side elevational view of FIG. 2, the right-side elevational view being a mirror image thereof;

FIG. 4 is a front elevational view of FIG. 2;

FIG. 5 is a rear elevational view of FIG. 2;

FIG. 6 is a top plan view of FIG. 2;

FIG. 7 is a bottom plan view of FIG. 2;

FIG. 8 is a perspective view of the midwall frame member of the frame for an upholstered panel, the endwall frame member and perimeter frame member omitted for clarity of illustration;

FIG. 9 is a left-side elevational view of FIG. 8, the right-side elevational view being a mirror image thereof;

FIG. 10 is a front elevational view of FIG. 8, the rear elevational view being a mirror image thereof;

FIG. 11 is a top plan view of FIG. 8;

FIG. 12 is a bottom plan view of FIG. 8;

FIG. 13 is a perspective view of the perimeter frame member of the frame for an upholstered panel, the endwall frame member and midwall frame member omitted for clarity of illustration;

FIG. 14 is a left-side elevational view of FIG. 13, the right-side elevational view being a mirror image thereof;

FIG. 15 is a front elevational view of FIG. 13;

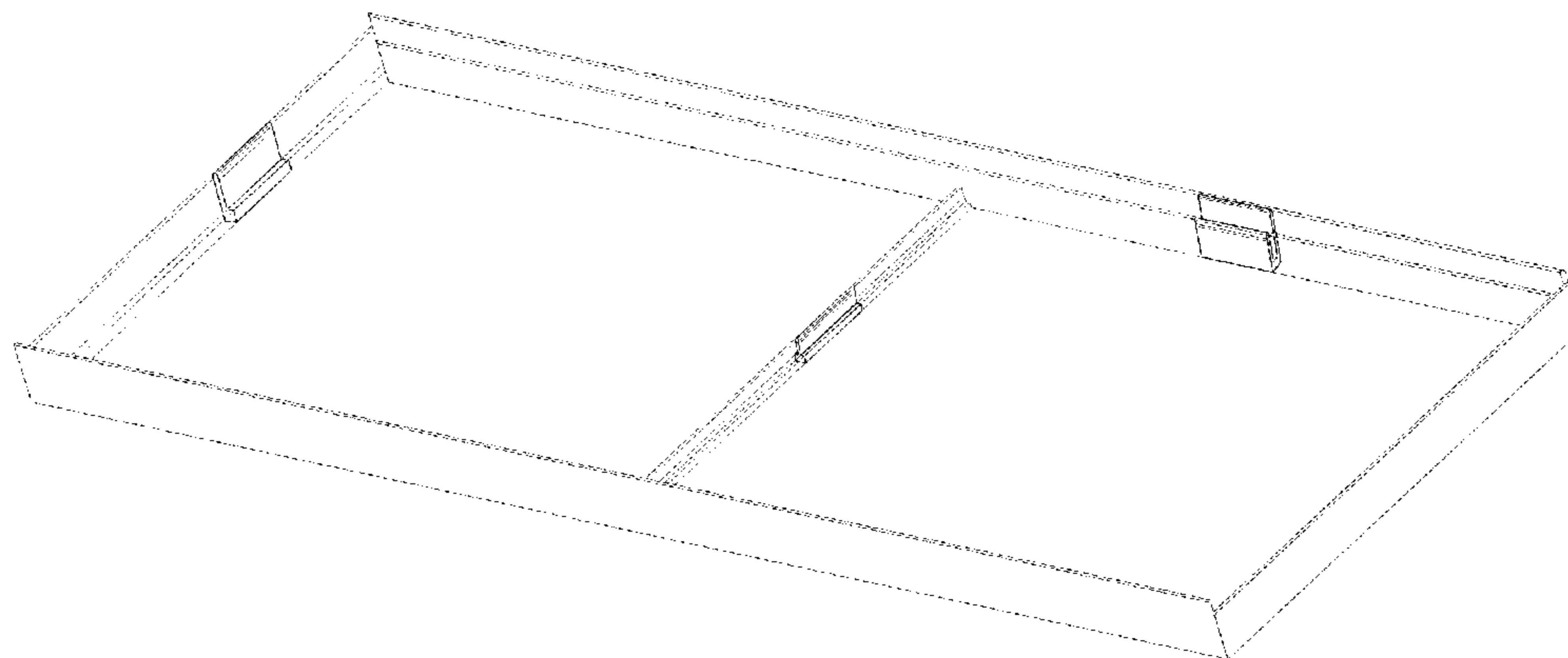
FIG. 16 is a rear elevational view of FIG. 13;

FIG. 17 is a rear elevational view of FIG. 13; and,

FIG. 18 is a top plan view of FIG. 13.

The broken lines showing extensions of the members in the figures form no part of the claimed design.

1 Claim, 4 Drawing Sheets



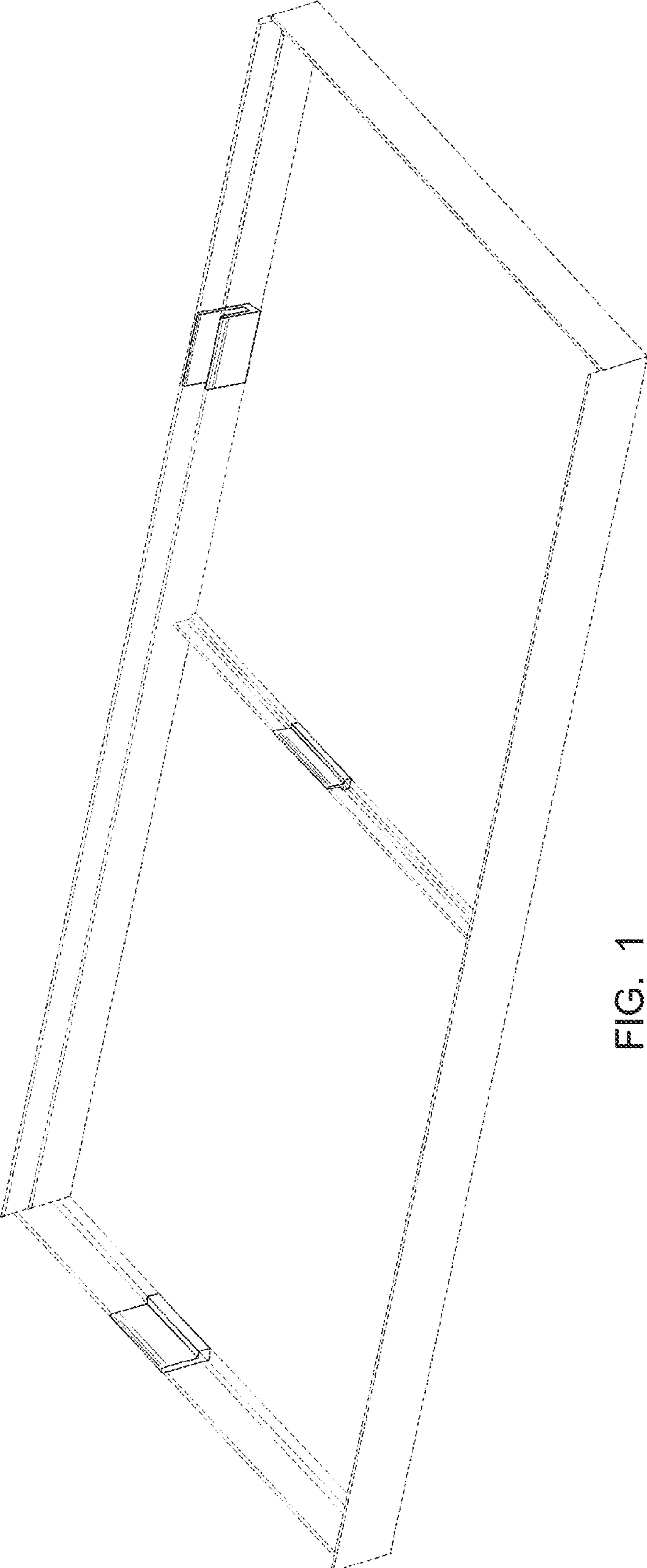


FIG. 1

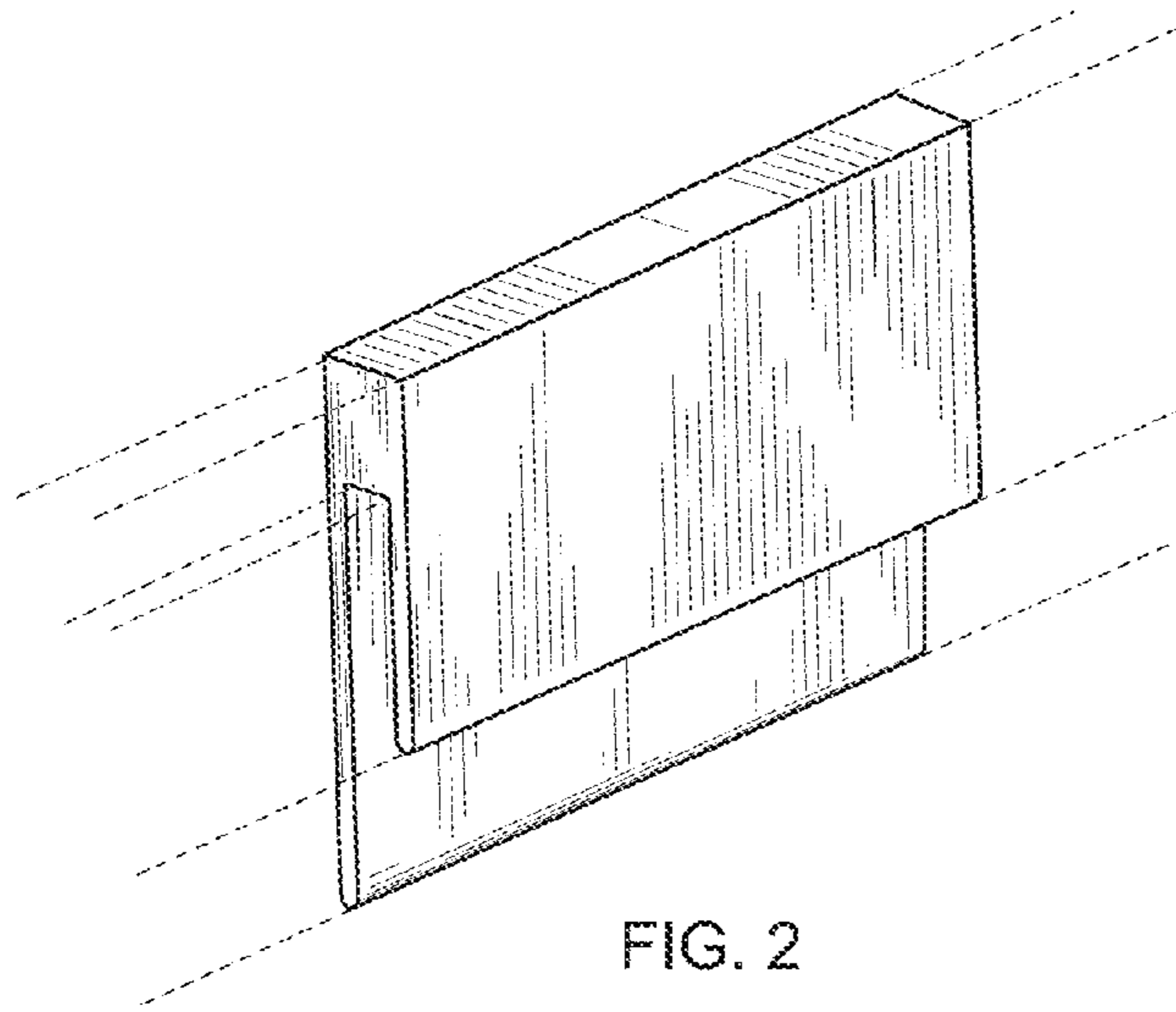


FIG. 2

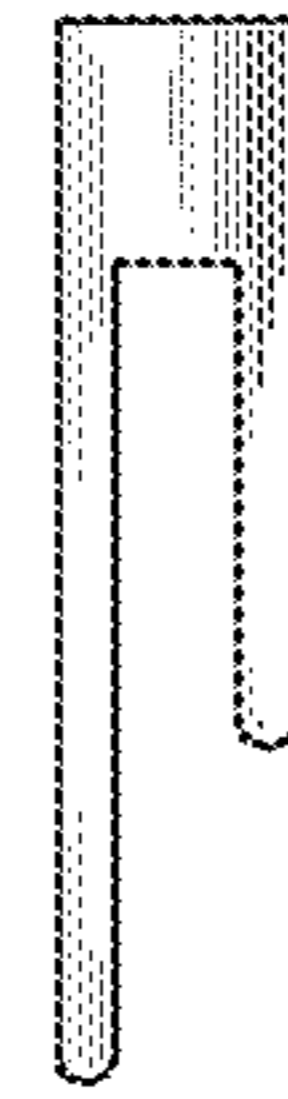


FIG. 3

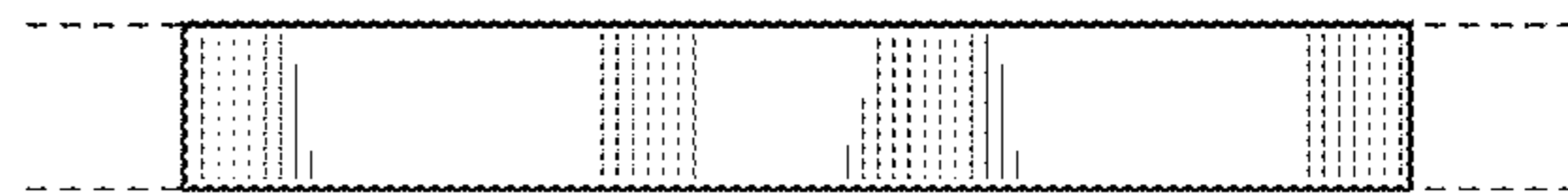


FIG. 6

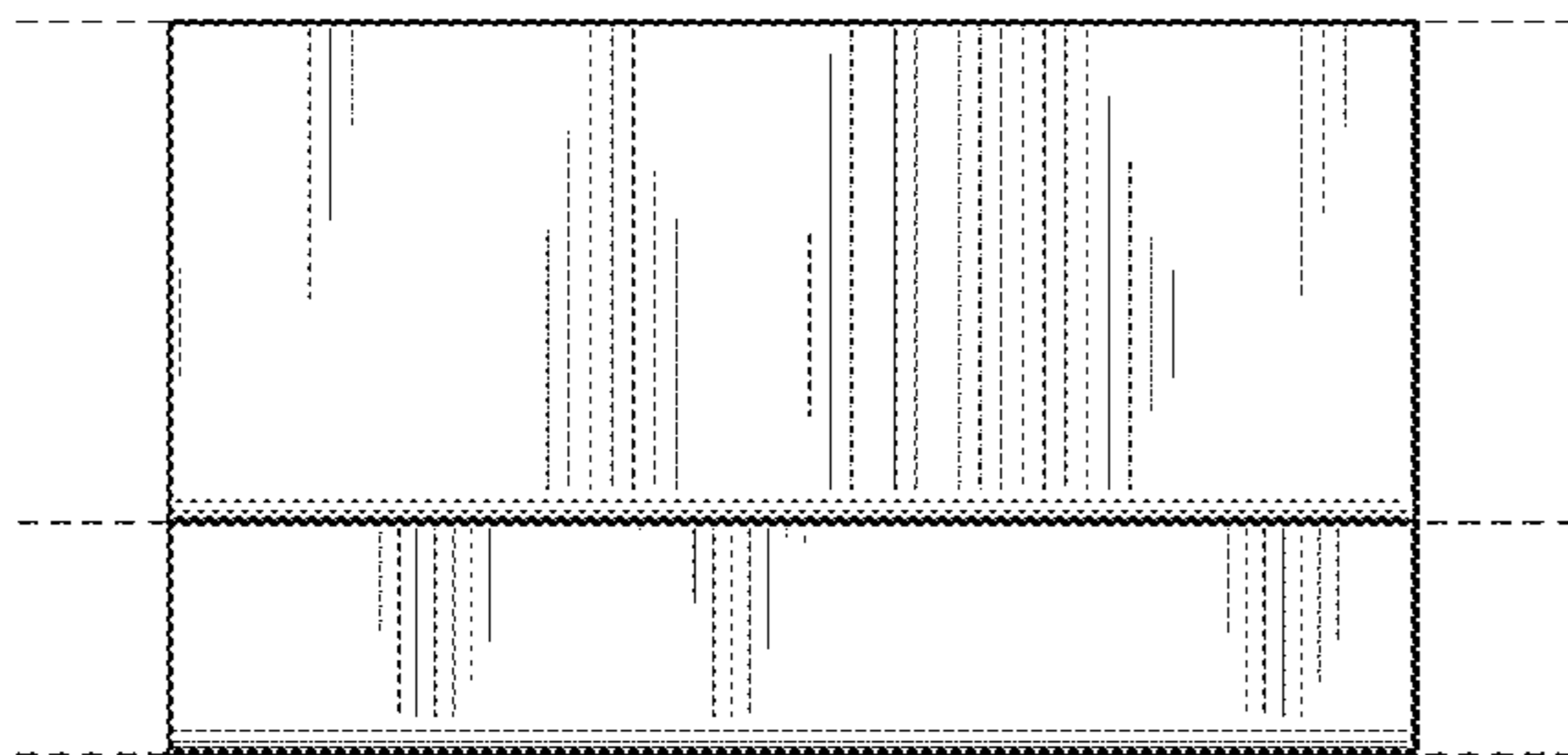


FIG. 4



FIG. 7

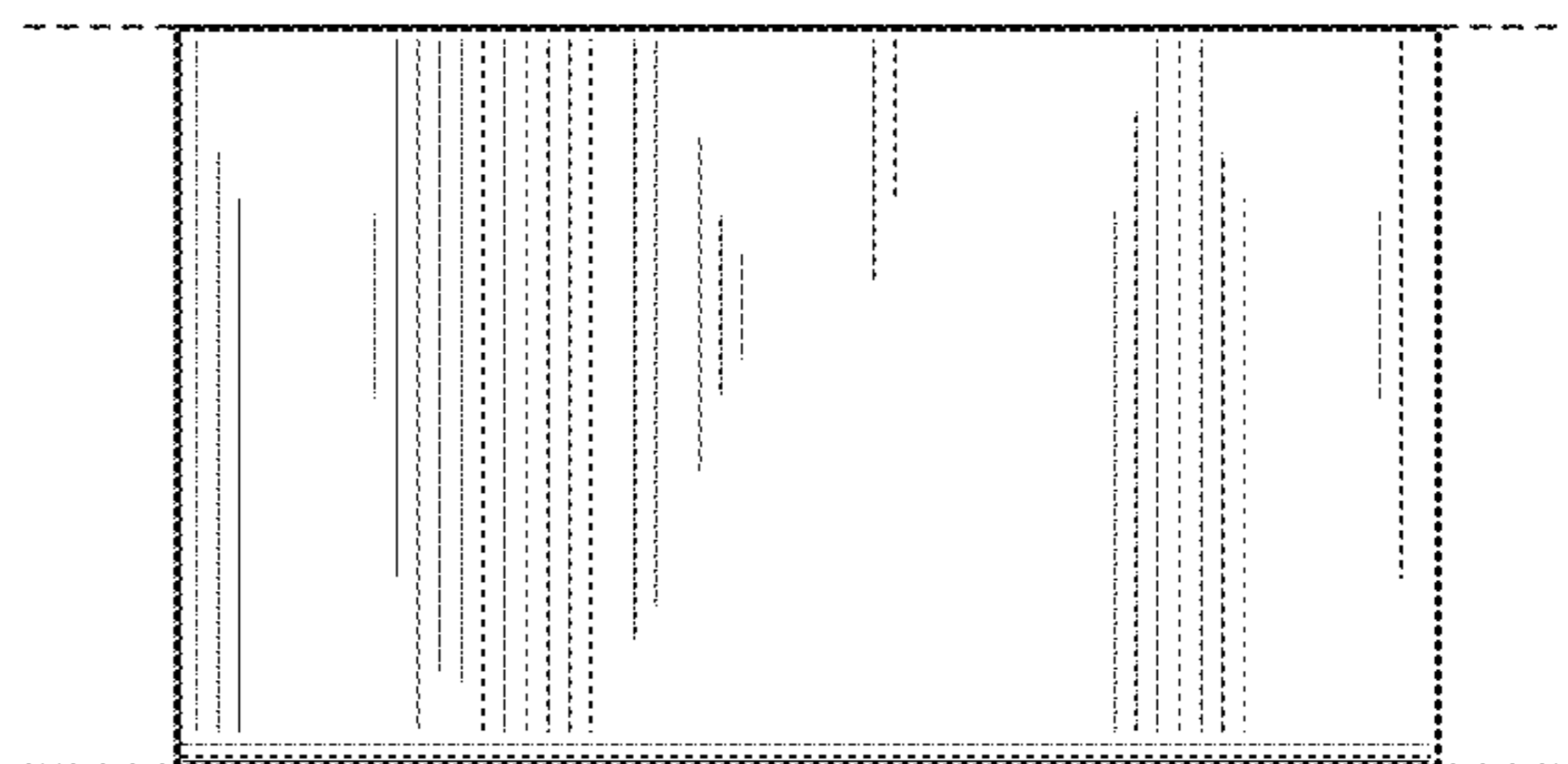
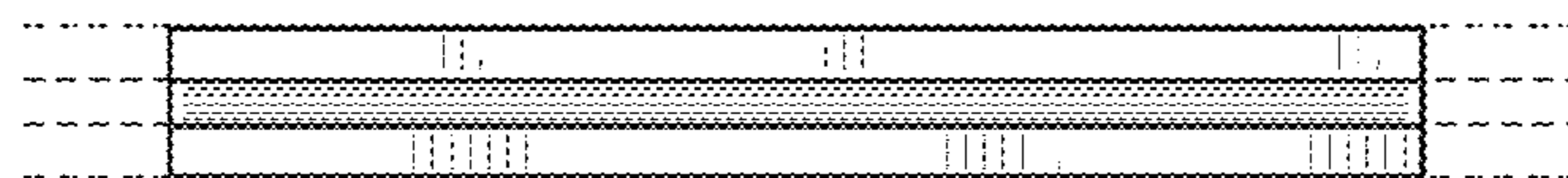
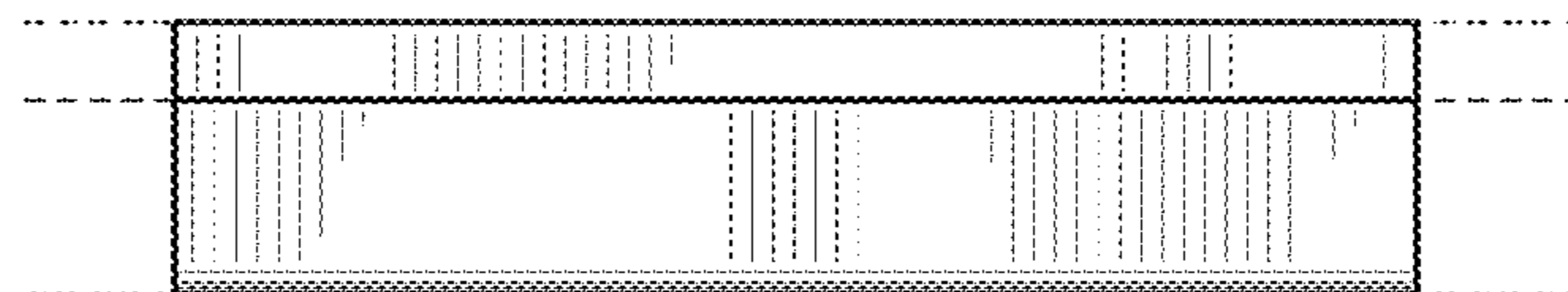
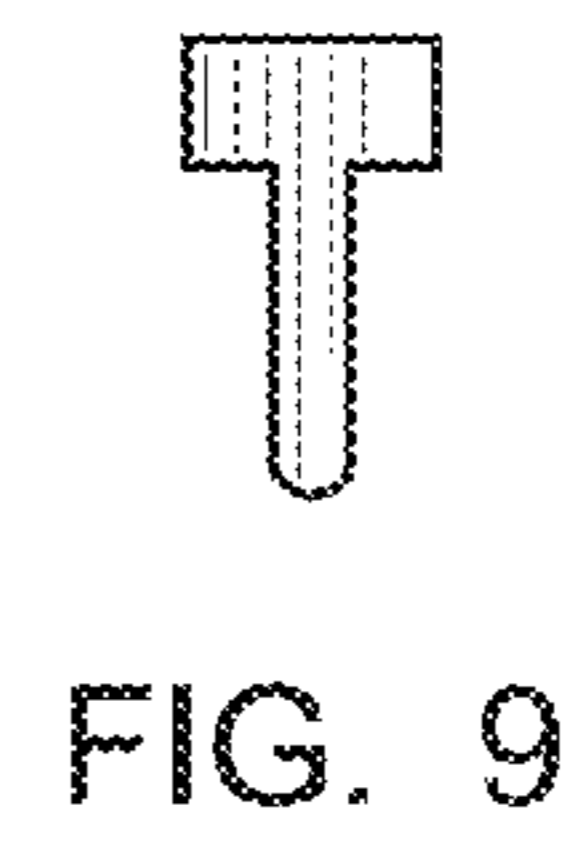
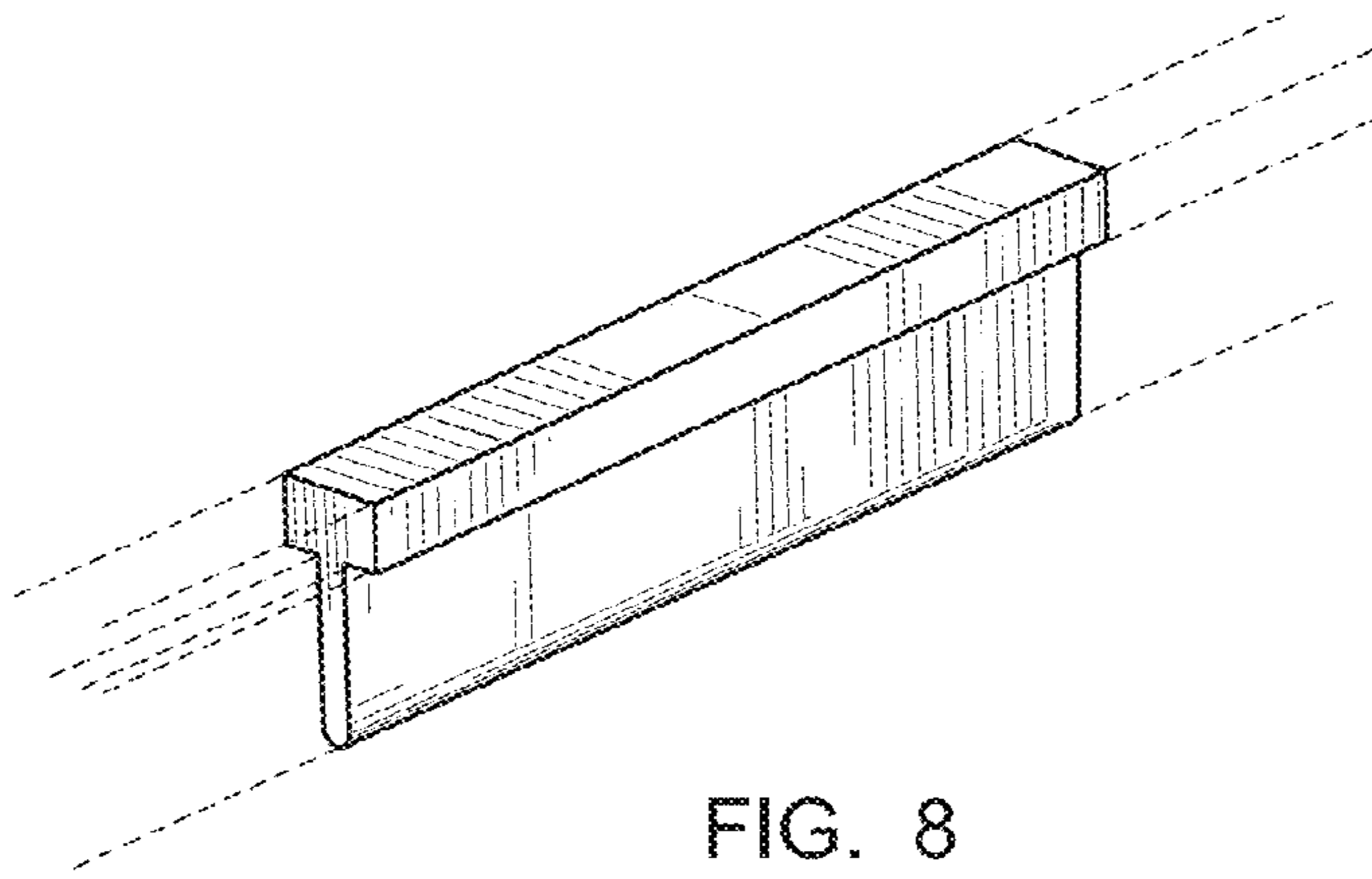


FIG. 5



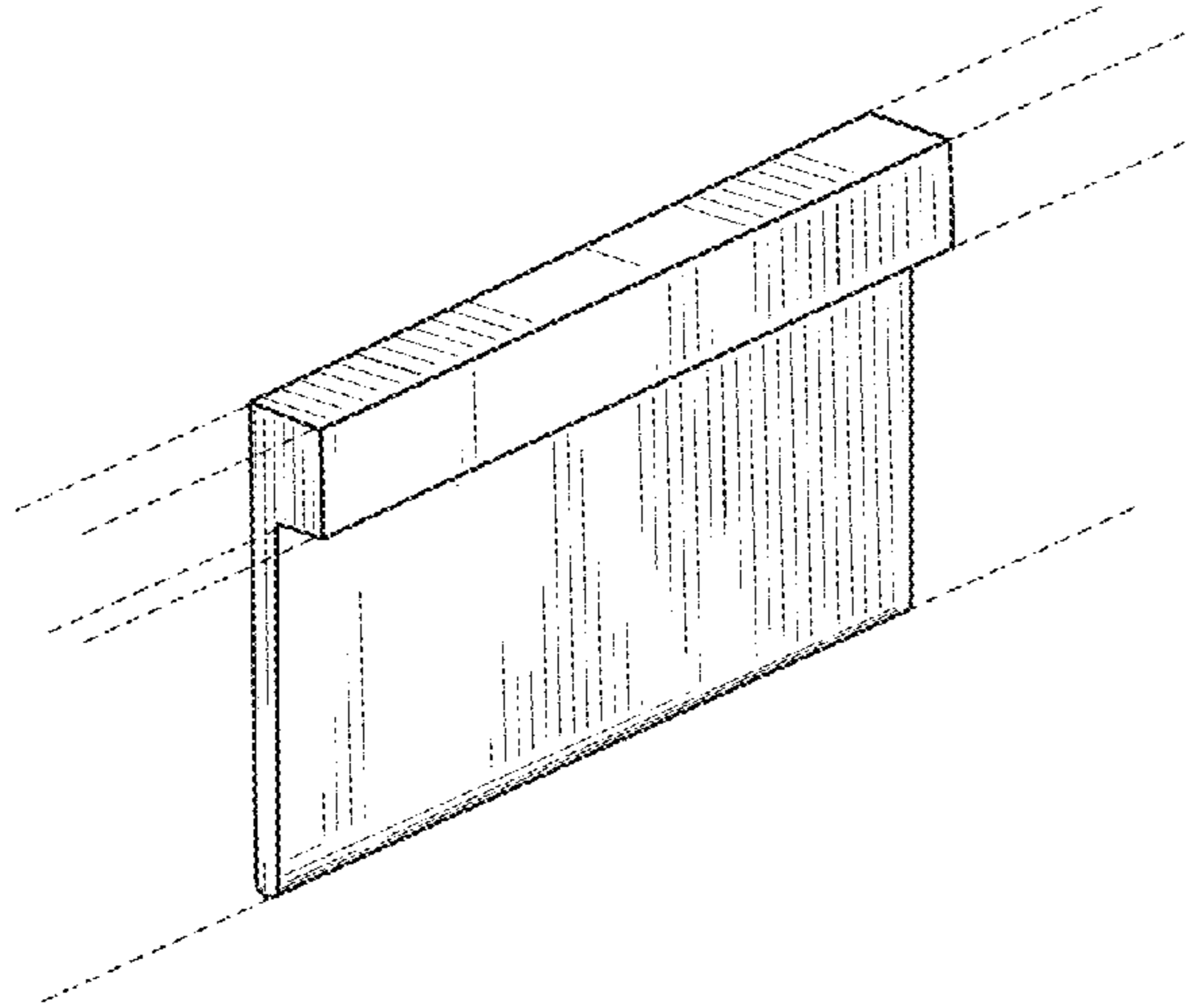


FIG. 13

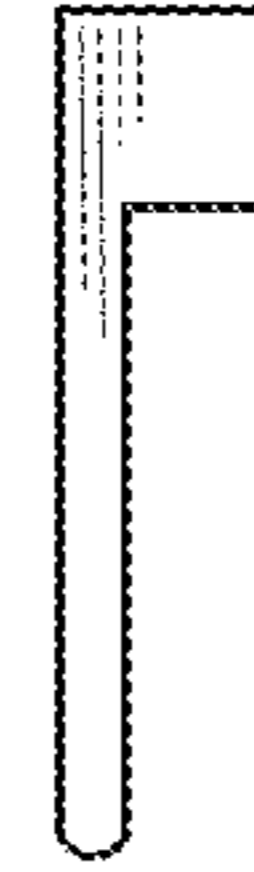


FIG. 14



FIG. 17

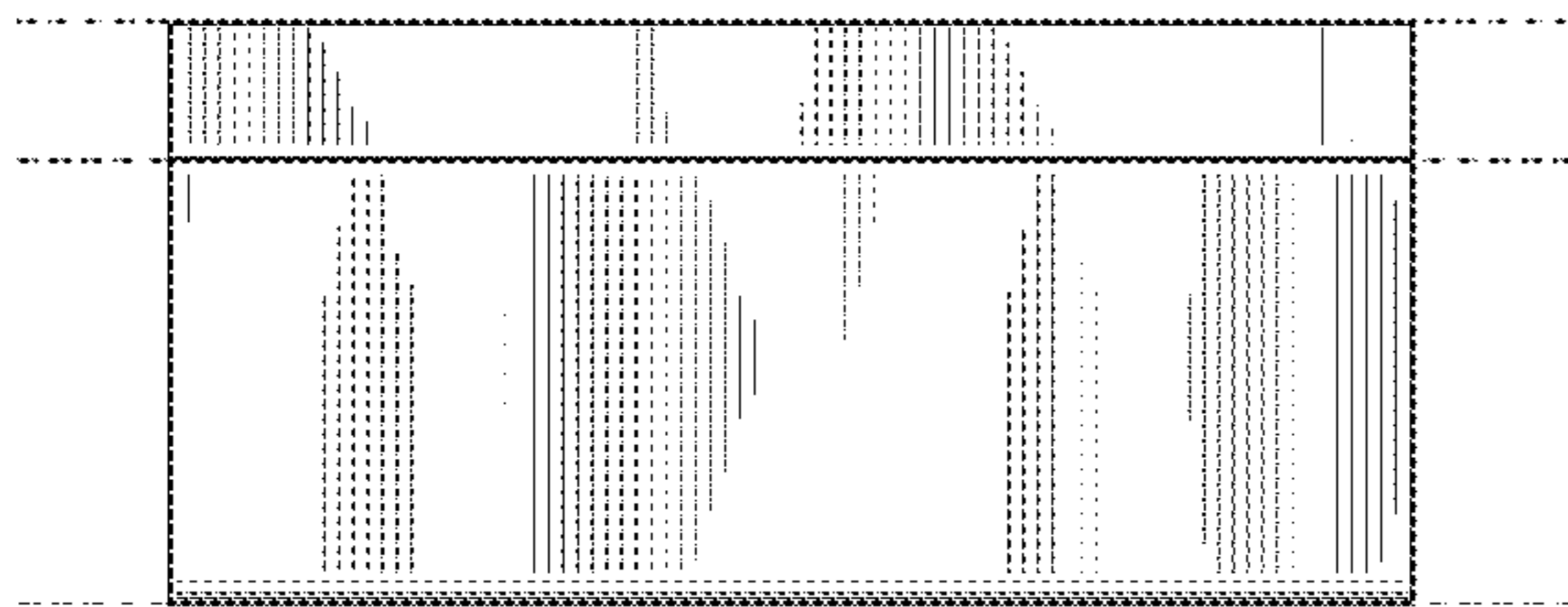


FIG. 15

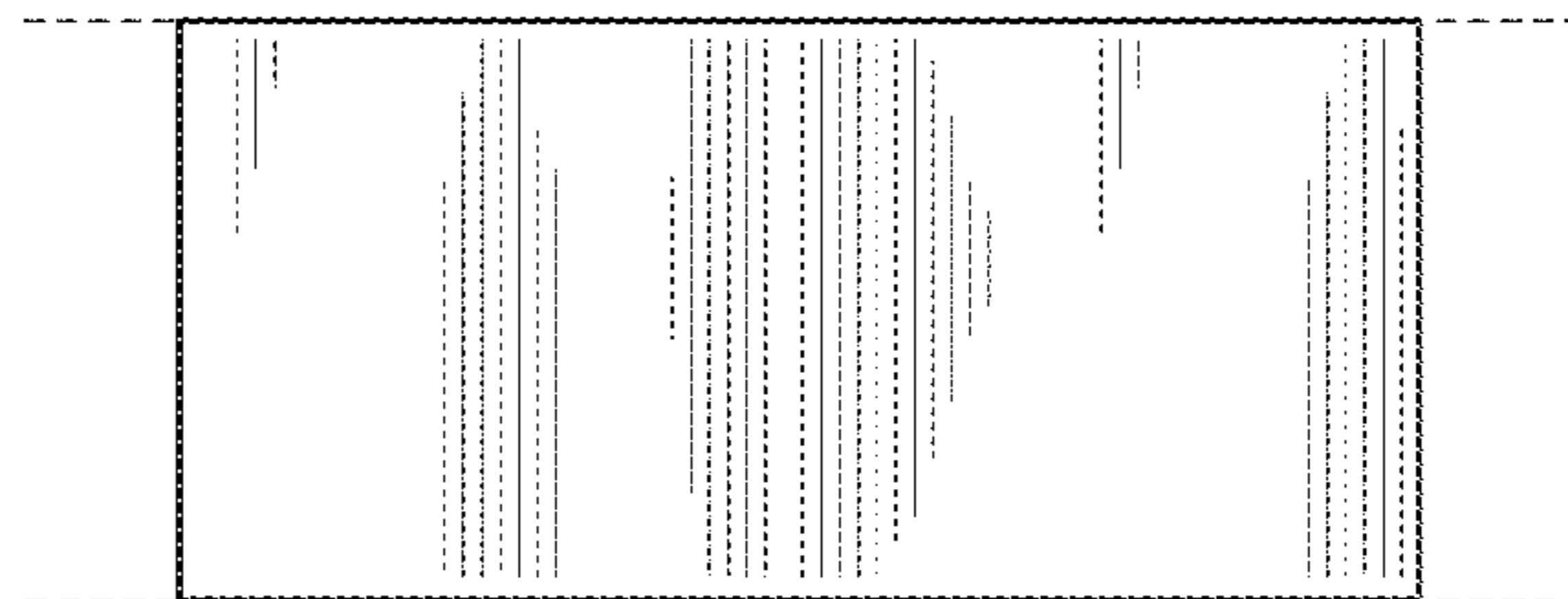


FIG. 16

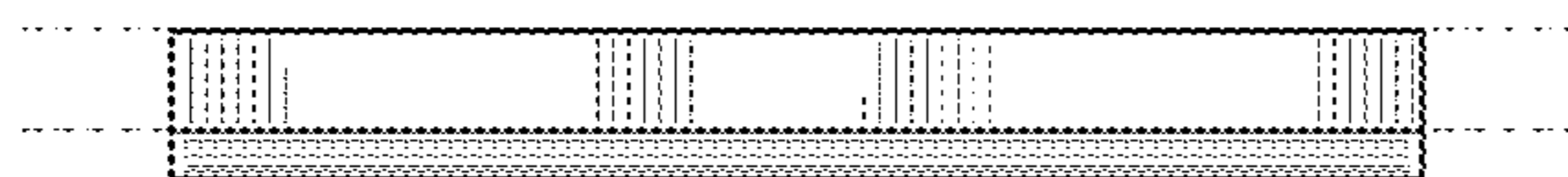


FIG. 18