

US00D754872S

(12) **United States Design Patent**  
**Li et al.**

(10) **Patent No.:** **US D754,872 S**  
(45) **Date of Patent:** **\*\* Apr. 26, 2016**

(54) **PIPETTE STAND**  
(71) Applicant: **Heathrow Scientific LLC**, Vernon Hills, IL (US)  
(72) Inventors: **Ying Li**, Vernon Hills, IL (US); **Mark Eyman**, Chicago, IL (US); **Patrick Nally**, Chicago, IL (US)

5,772,050 A \* 6/1998 Shih ..... 211/39  
5,961,927 A \* 10/1999 Isaacs et al. .... 422/564  
D519,644 S \* 4/2006 Jankowski et al. .... D24/222  
D524,448 S \* 7/2006 Telimaa et al. .... D24/227  
D544,609 S \* 6/2007 Bluon ..... D24/222  
D662,603 S \* 6/2012 Greenizen ..... D24/227  
2003/0106382 A1 \* 6/2003 Shukla et al. .... 248/309.4  
2013/0095508 A1 \* 4/2013 Campitelli et al. .... 422/525

\* cited by examiner

(73) Assignee: **HEATHROW SCIENTIFIC LLC**, Vernon Hills, IL (US)

*Primary Examiner* — T. Chase Nelson

*Assistant Examiner* — Mark Cavanna

(\*\*) Term: **14 Years**

(74) *Attorney, Agent, or Firm* — Michael Best & Friedrich LLP

(21) Appl. No.: **29/437,729**

(57) **CLAIM**

We claim the ornamental design for a pipette stand, as shown and described.

(22) Filed: **Nov. 20, 2012**

(51) **LOC (10) Cl.** ..... **24-02**

(52) **U.S. Cl.**  
USPC ..... **D24/227**

**DESCRIPTION**

(58) **Field of Classification Search**  
USPC ..... D24/227–230, 222; D6/680.2; 211/39, 211/163; 422/564, 522, 525, 544, 82.01, 422/82.05; 435/7.94; 248/309.4  
See application file for complete search history.

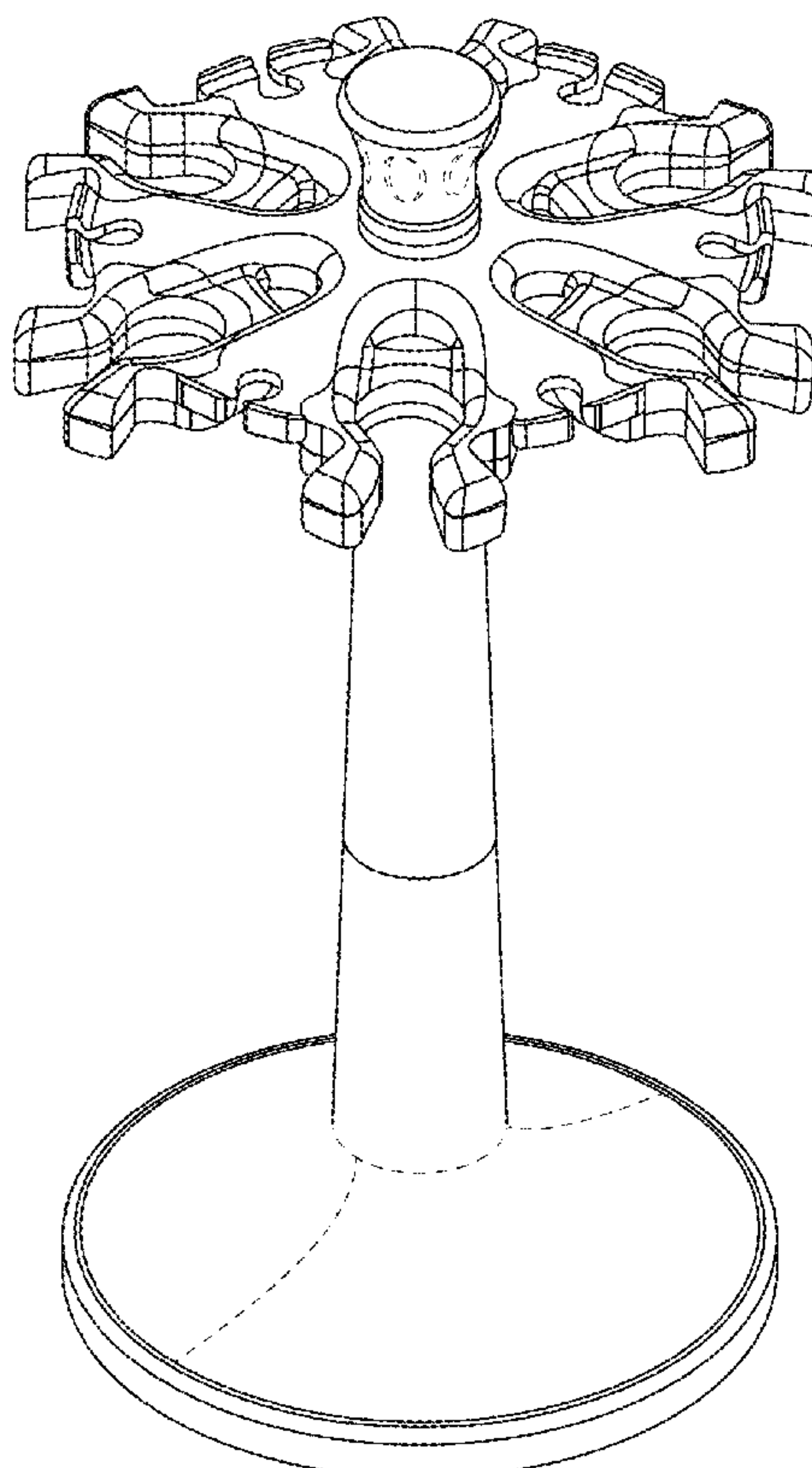
FIG. 1 is a perspective view of a pipette stand.  
FIG. 2 is a left side view of the design shown in FIG. 1, the right side being a mirror image of the left side.  
FIG. 3 is a front view of the design shown in FIG. 1, the rear view being a mirror image of the front view.  
FIG. 4 is a top view of the design shown in FIG. 1; and,  
FIG. 5 is a bottom view of the design shown in FIG. 1.  
The broken lines are included for the purpose of illustrating unclaimed portions of the pipette stand that form no part of the claimed design.

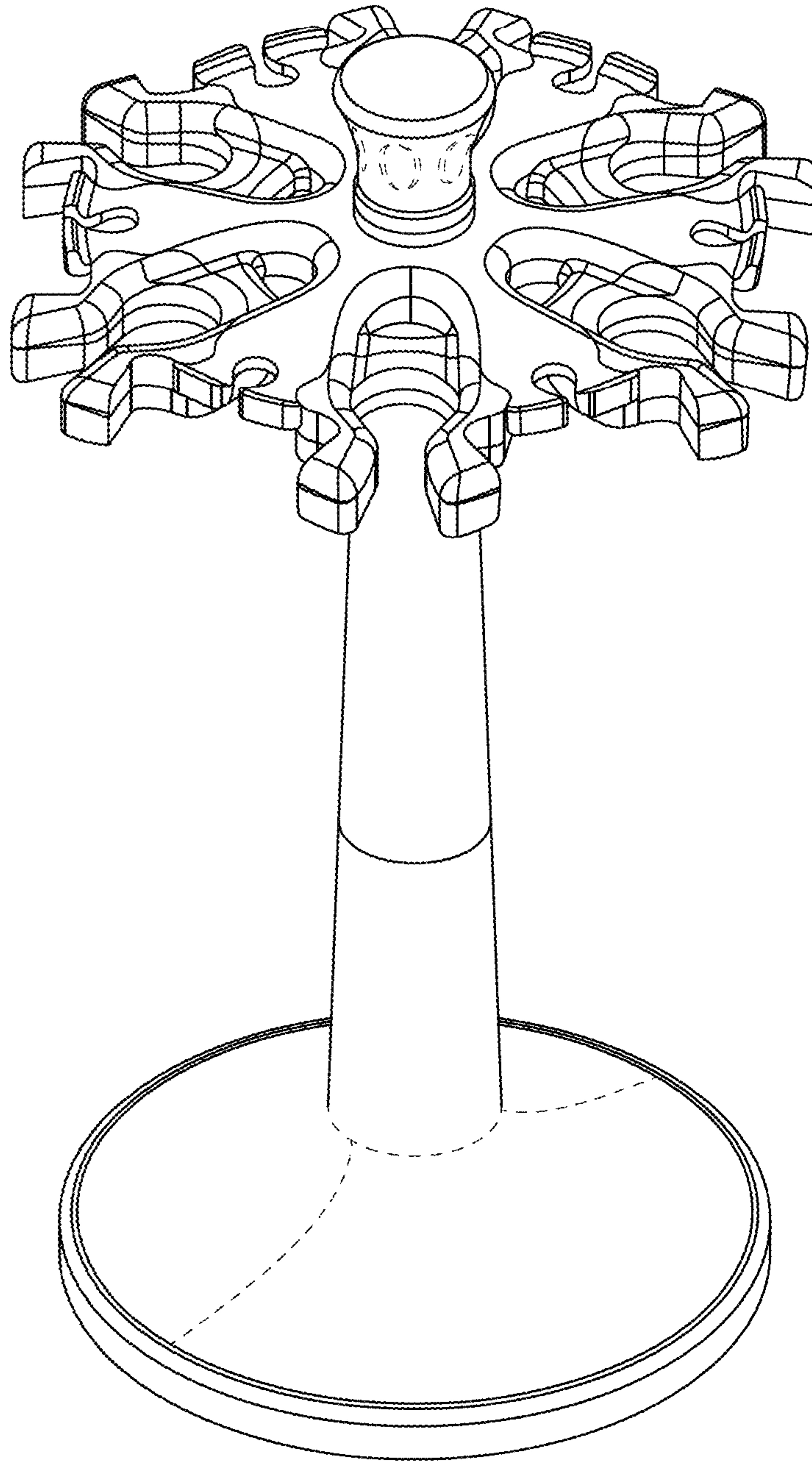
(56) **References Cited**

U.S. PATENT DOCUMENTS

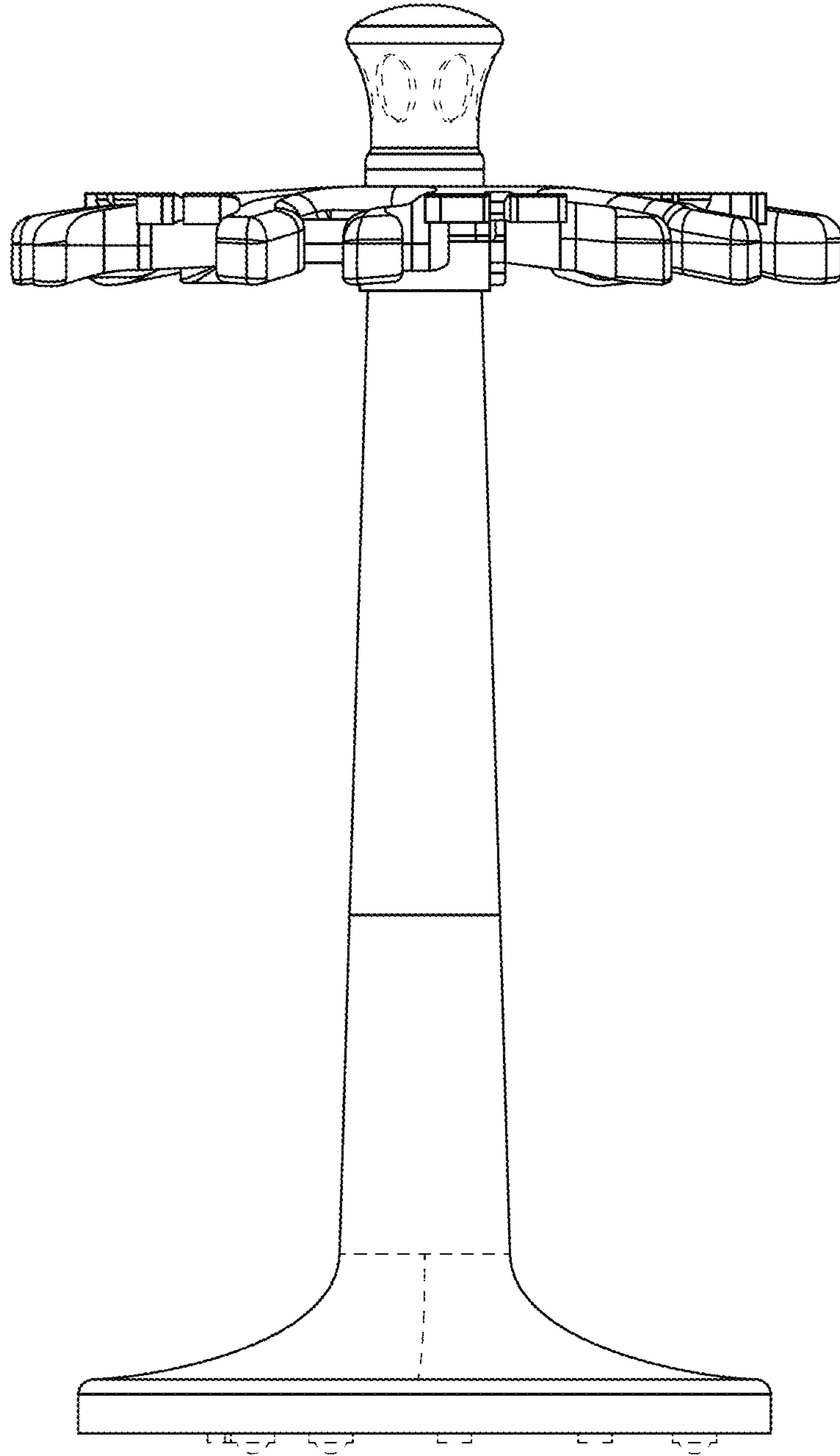
652,257 A \* 6/1900 Folger ..... 211/163  
4,534,471 A \* 8/1985 Zahn et al. .... 211/39

**1 Claim, 5 Drawing Sheets**

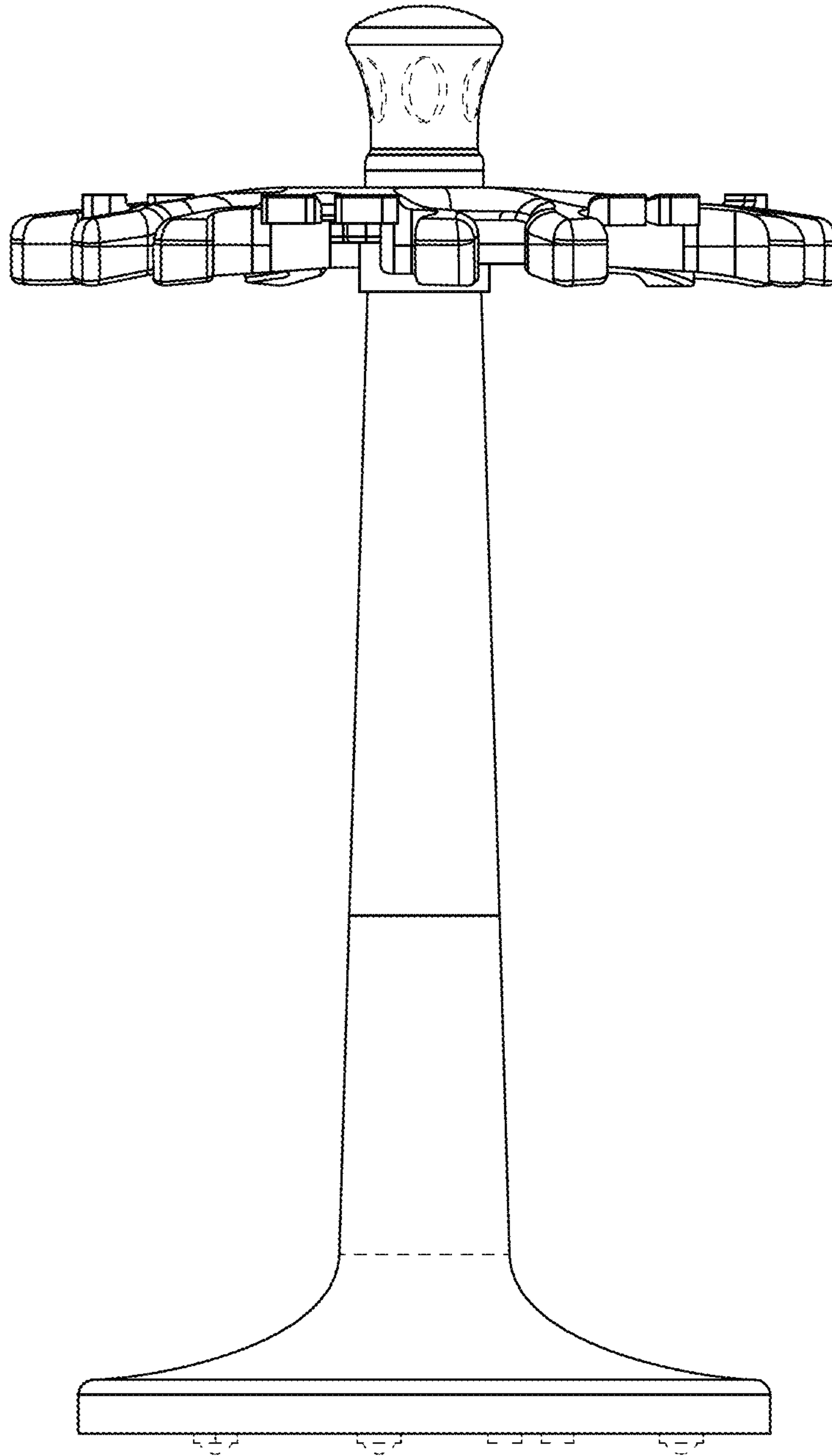




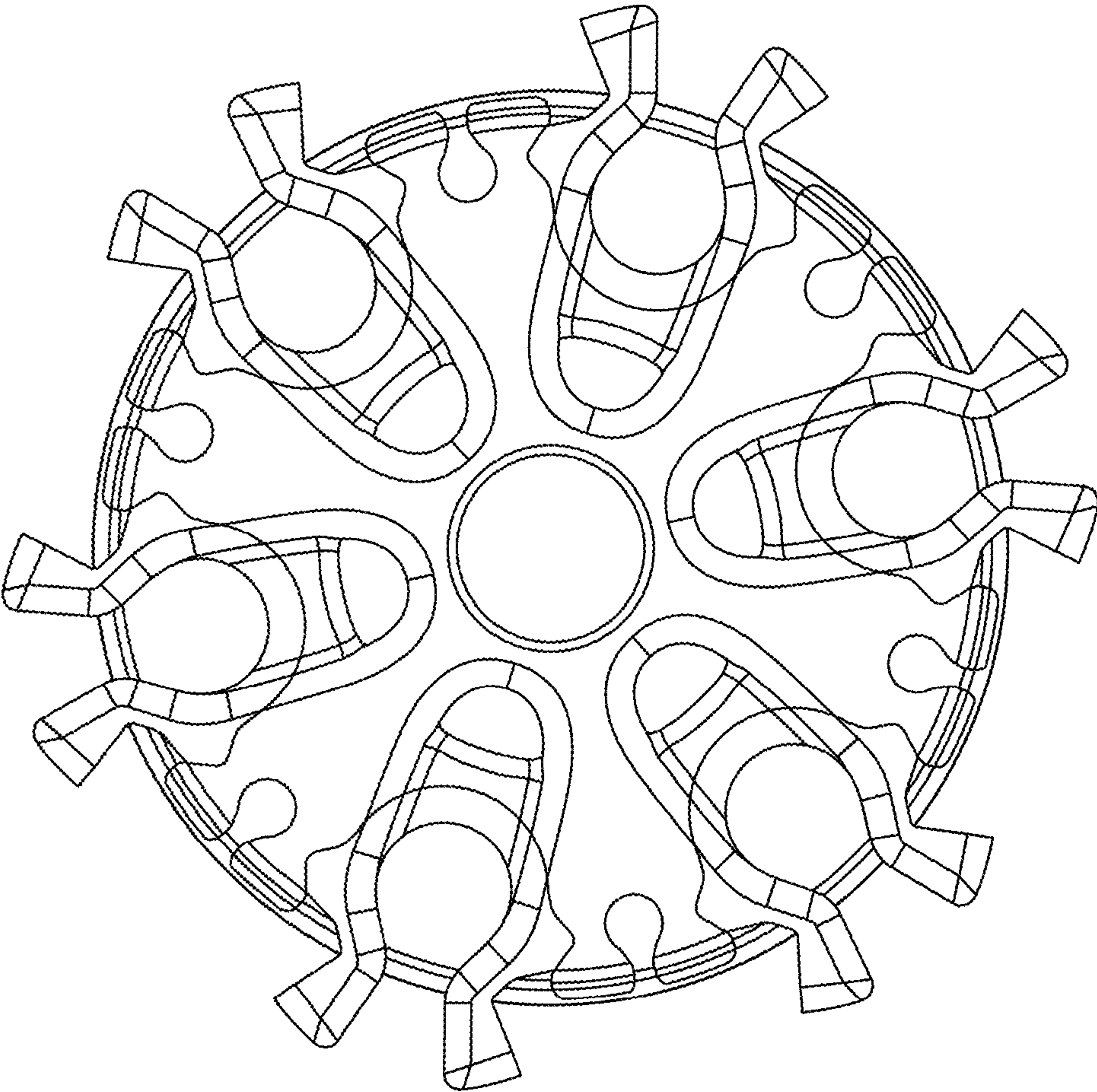
**FIG. 1**



**FIG. 2**

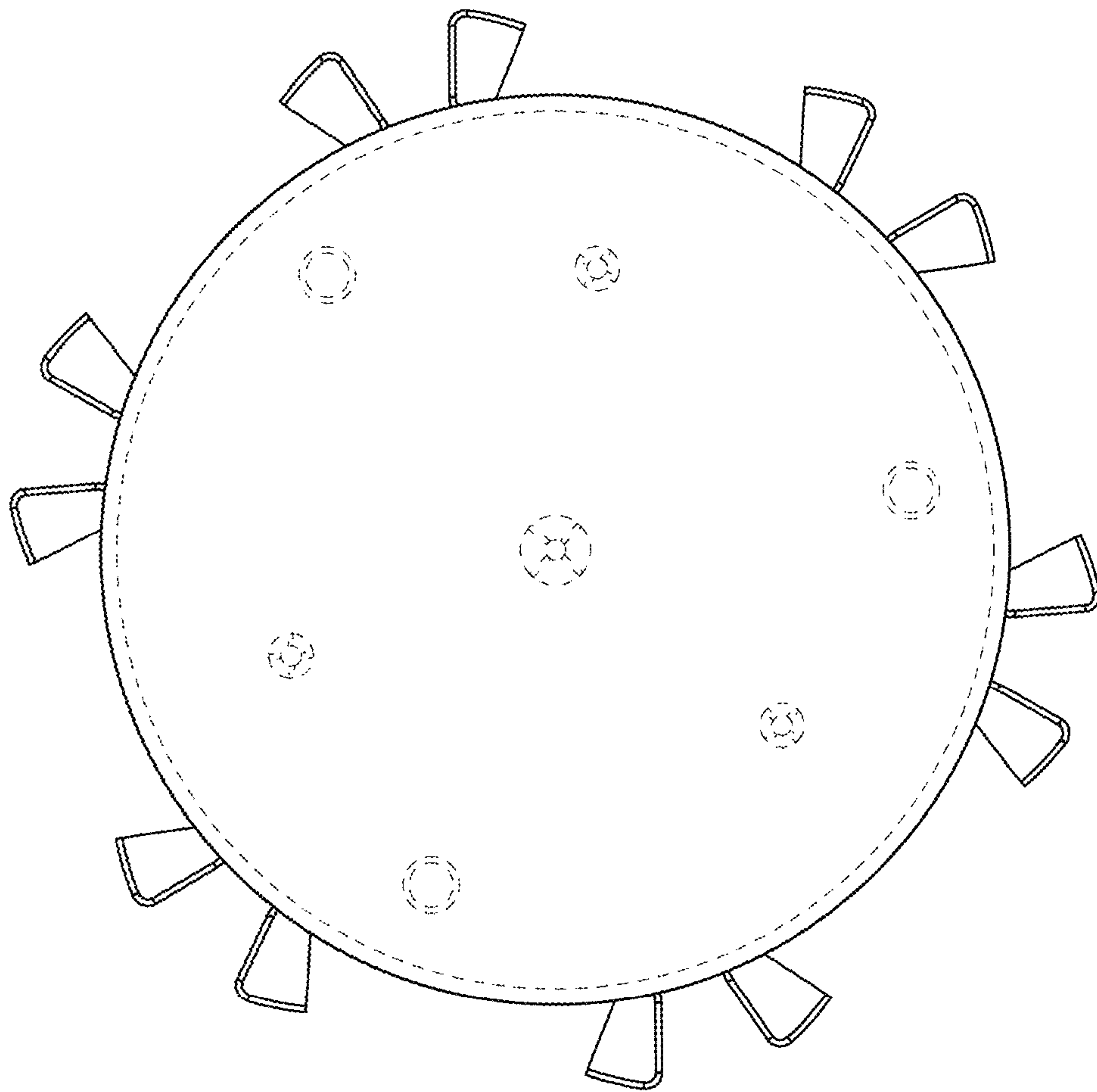


**FIG. 3**



**FIG. 4**





**FIG. 5**