



US00D754868S

(12) **United States Design Patent**
Hendrickson

(10) **Patent No.:** **US D754,868 S**
(45) **Date of Patent:** **** Apr. 26, 2016**

- (54) **MESSAGE ROLLER**
- (71) Applicant: **Jason D Hendrickson**, Aurora, CO (US)
- (72) Inventor: **Jason D Hendrickson**, Aurora, CO (US)
- (73) Assignee: **Jason Dean Hendrickson**, Aurora, CO (US)
- (**) Term: **14 Years**
- (21) Appl. No.: **29/520,651**
- (22) Filed: **Mar. 17, 2015**
- (51) **LOC (10) Cl.** **28-03**
- (52) **U.S. Cl.**
USPC **D24/211**
- (58) **Field of Classification Search**
USPC D24/200, 211, 212, 213, 214, 215;
601/114, 120, 121, 124, 125, 130, 131,
601/134, 135, 136, 137; D14/218;
D21/662, 679, 684
CPC A61H 19/30; A61H 19/32; A61H 19/34;
A61H 19/40; A61H 19/44; A61H 19/50;
A61H 19/00; A61H 2201/0153; A61H
2201/0207; A61H 2201/0263; A61H
2201/0111; A61H 2201/1253; A61H
2205/082; A61H 2205/085; A61H 15/0085
See application file for complete search history.

- (56) **References Cited**
U.S. PATENT DOCUMENTS
D119,035 S * 2/1940 Lindgren 601/27
3,403,906 A * 10/1968 Burzenski A63B 22/20
482/108
3,752,475 A * 8/1973 Ott A63B 22/20
482/127
D248,493 S * 7/1978 Moncrief 601/120
D271,051 S * 10/1983 McCoy D21/679
D306,886 S * 3/1990 Shiek D21/662

- D445,905 S * 7/2001 Hey D24/211
6,267,738 B1 * 7/2001 Louis A61H 1/008
601/118
D448,851 S * 10/2001 Louis D24/211
D477,414 S * 7/2003 Chen D24/211
7,837,603 B1 * 11/2010 Carnell, Sr. A63B 21/0004
482/132
D648,034 S * 11/2011 Rice D24/215
D650,487 S * 12/2011 Briscoe D24/211
D654,970 S * 2/2012 Daves D21/662
D688,756 S * 8/2013 Wauldron D21/662
D704,852 S * 5/2014 Yang D24/211
8,894,555 B2 * 11/2014 Colledge A63B 21/0004
482/118
D723,710 S * 3/2015 Ishibashi D24/215
2006/0235343 A1 * 10/2006 Fitzmaurice A61H 15/0092
601/131

* cited by examiner

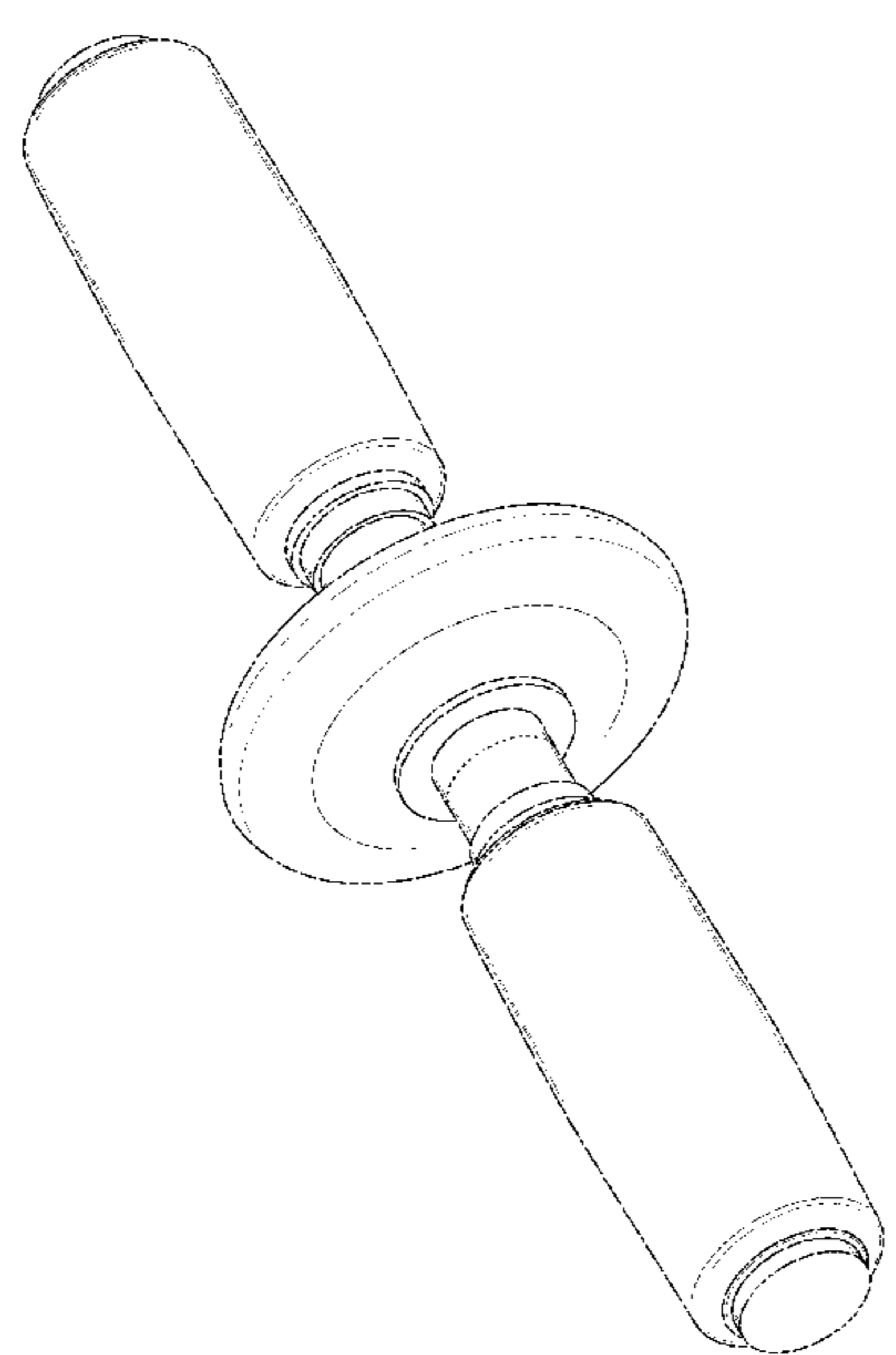
Primary Examiner — Sandra Snapp
(74) *Attorney, Agent, or Firm* — Rick Martin

(57) **CLAIM**
The ornamental design for a massage roller, as shown and described.

DESCRIPTION

FIG. 1 is a top perspective view of my new design for a massage roller;
 FIG. 2 is a top plan view of my new invention, wherein a bottom plan view is identical;
 FIG. 3 is a left side elevation view of my new invention, wherein a right side elevation view is identical; and,
 FIG. 4 is a top perspective view of my new invention shown in use massaging a user's right thigh.
 The broken lines indicating user in FIG. 4 are for purposes of illustrating a use of the invention and form no part of the claimed design. The dotted lines on the axle in FIGS. 1, 2 are for the purpose of illustrating an optional multi-part bushing and form no part of the claimed design.

1 Claim, 3 Drawing Sheets



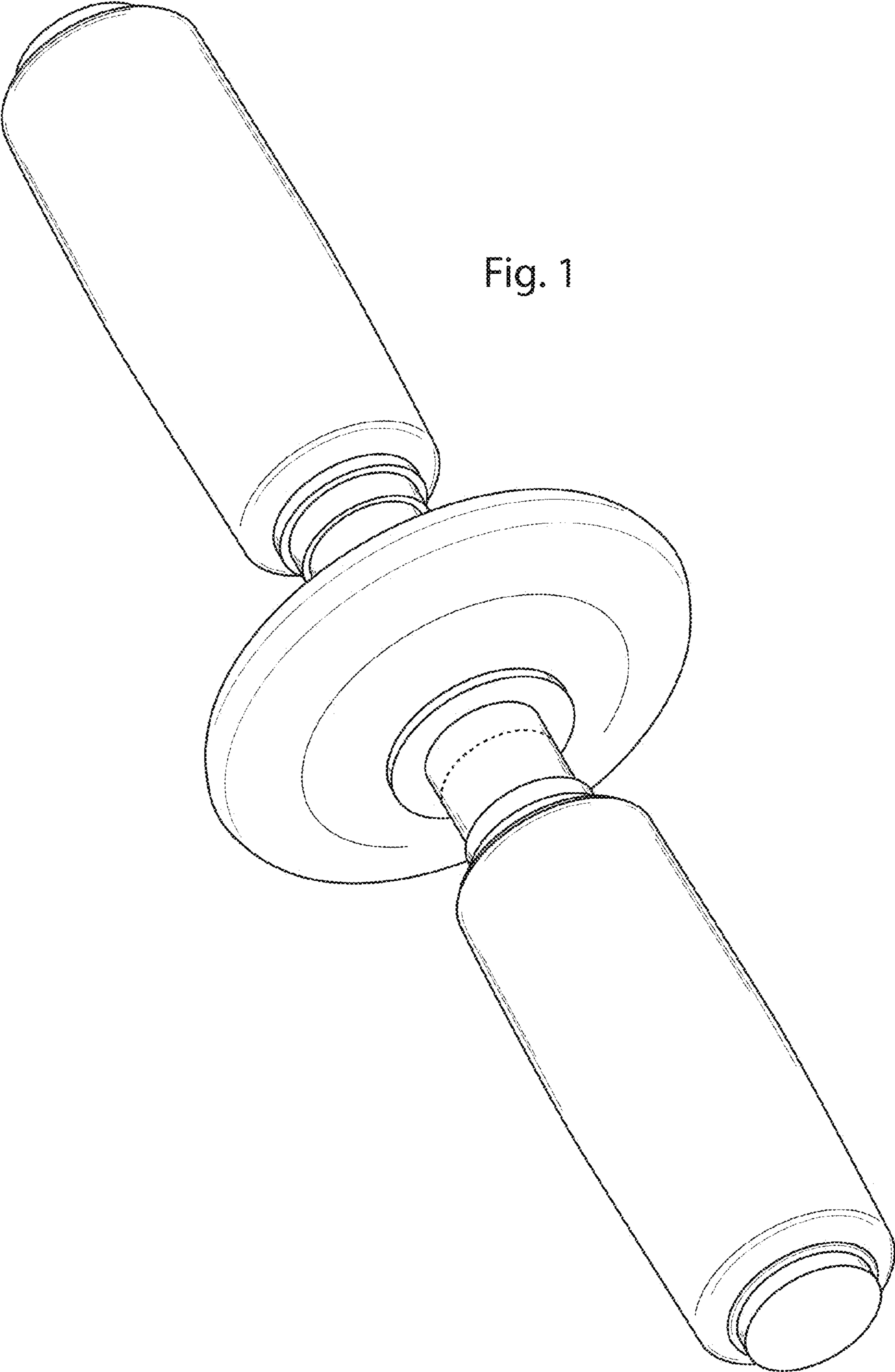


Fig. 1

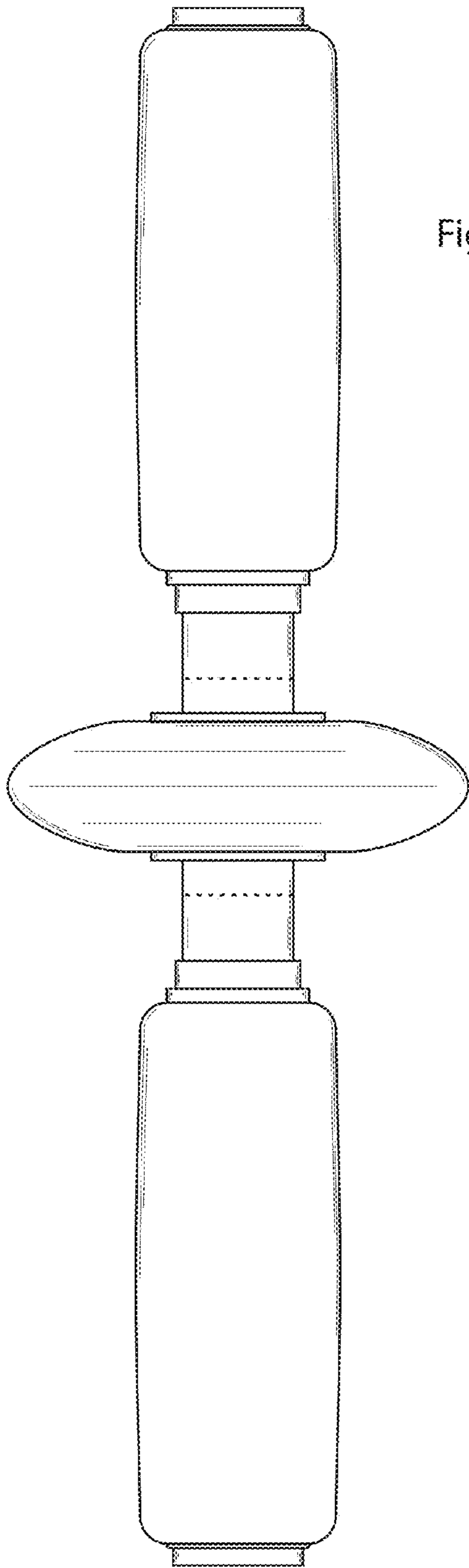


Fig. 2

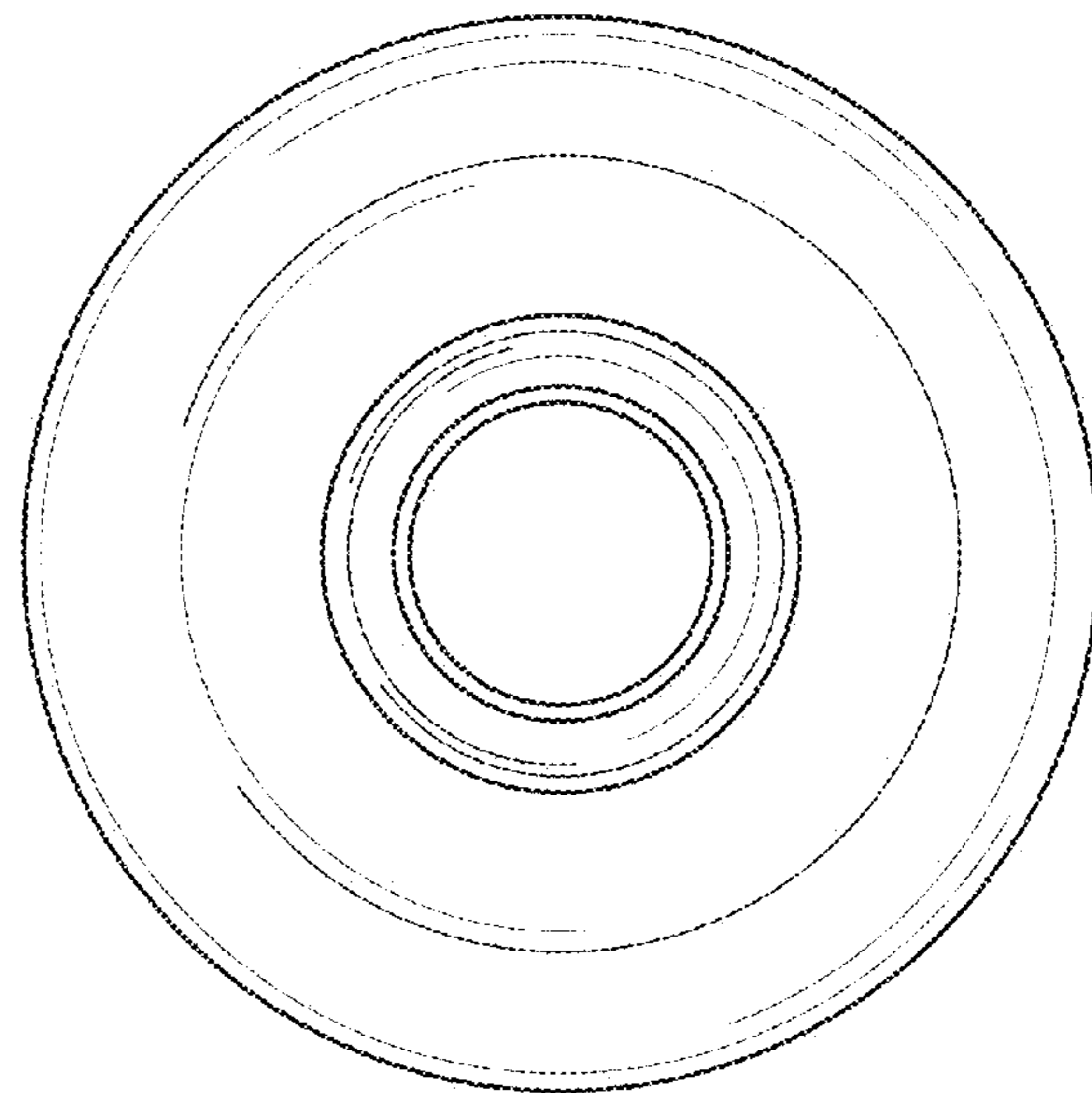


Fig. 3

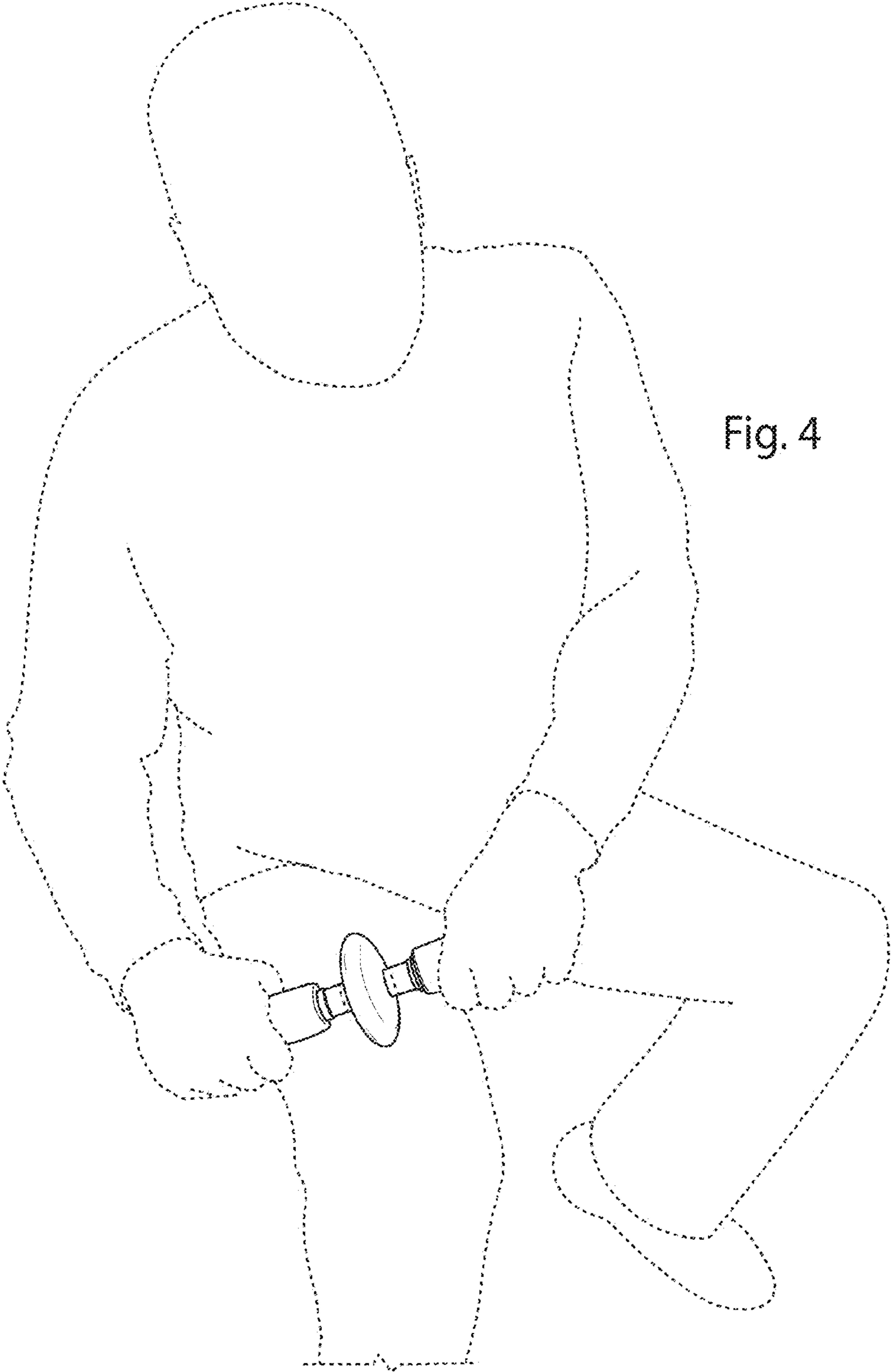


Fig. 4