



US00D754866S

(12) **United States Design Patent**  
**Larsen et al.**

(10) **Patent No.:** **US D754,866 S**  
(45) **Date of Patent:** **\*\* Apr. 26, 2016**

- (54) **SPA SHELL**
- (71) Applicant: **Watkins Manufacturing Corporation**,  
Vista, CA (US)
- (72) Inventors: **Christopher Carl Larsen**, Vista, CA  
(US); **Sage Nathan Baker**, Cardiff by  
the Sea, CA (US)
- (73) Assignee: **Watkins Manufacturing Corporation**,  
Vista, CA (US)
- (\*\*) Term: **14 Years**
- (21) Appl. No.: **29/492,898**
- (22) Filed: **Jun. 4, 2014**
- (51) **LOC (10) Cl.** ..... **23-02**
- (52) **U.S. Cl.**  
USPC ..... **D24/204**
- (58) **Field of Classification Search**  
USPC ..... D23/277, 278; D24/201, 204, 205;  
D25/2; 4/488, 541.1, 546, 589, 904  
CPC ... A61H 33/00; A61H 33/0087; A61H 33/02;  
A61H 33/60; A61H 33/6063; A47K 3/02;  
A47K 3/122; E04H 2004/0068  
See application file for complete search history.

(56) **References Cited**

**U.S. PATENT DOCUMENTS**

D294,863 S	*	3/1988	Kingsley	.....	D24/204
D517,697 S	*	3/2006	Larsen	.....	D24/204

(Continued)

**FOREIGN PATENT DOCUMENTS**

CN	300887518	*	2/2009
CN	301149868	*	3/2010

(Continued)

**OTHER PUBLICATIONS**

Exclusive Dual Lounger Spa by Coleman Spas, posted at  
Colemanspasblog.com, posting date Jun. 28, 2012, ©  
Colemanspasblog.com, [online], [site visited Oct. 21, 2015]. Avail-

able from Internet, <URL: <http://colemanspasblog.com/exclusive-dual-lounger-spa-by-coleman-spas/>>.\*  
Bimini Hot Tub Spa, posted at IntegritySpas.com, posting date Apr. 18, 2012, © IntegritySpas.com, [online], [site visited Oct. 21, 2015]. Available from Internet, <URL: <https://www.integrityspas.com/ProductDetails.asp?ProductCode=Bimini%5FSPA>>.\*

*Primary Examiner* — Manpreet Matharu  
*Assistant Examiner* — Lisa A Grabenstetter

(74) *Attorney, Agent, or Firm* — Kirk W. Rudolph

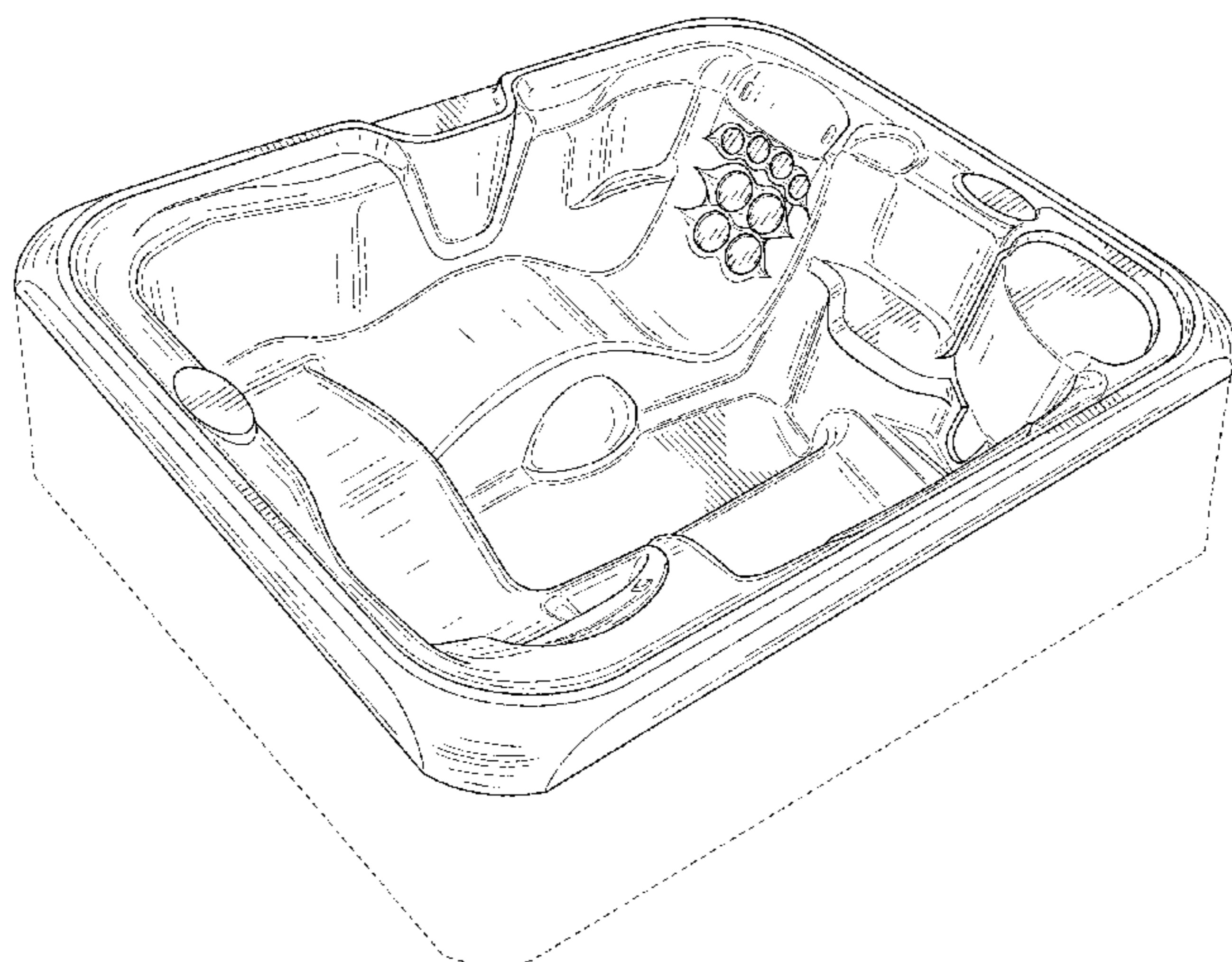
(57) **CLAIM**

The ornamental design for a spa shell, as shown and described.

**DESCRIPTION**

FIG. 1 is a perspective view of a spa shell showing our new design;  
 FIG. 2 is another perspective view thereof;  
 FIG. 3 is a top plan view thereof;  
 FIG. 4 is a cross-sectional view thereof, taken along line 4-4 of FIG. 3;  
 FIG. 5 is a cross-sectional view thereof, taken along line 5-5 of FIG. 3;  
 FIG. 6 is a cross-sectional view thereof, taken along line 6-6 of FIG. 3;  
 FIG. 7 is a cross-sectional view thereof, taken along line 7-7 of FIG. 3;  
 FIG. 8 is a cross-sectional view thereof, taken along line 8-8 of FIG. 3;  
 FIG. 9 is a cross-sectional view thereof, taken along line 9-9 of FIG. 3;  
 FIG. 10 is a cross-sectional view thereof, taken along line 10-10 of FIG. 3; and,  
 FIG. 11 is a cross-sectional view thereof, taken along line 11-11 of FIG. 3.  
 The broken line portions of FIGS. 1, 2, and 4-11 show unclaimed subject matter only and form no part of the claimed design.

**1 Claim, 7 Drawing Sheets**



# US D754,866 S

Page 2

---

(56)

## References Cited

2003/0070218 A1\* 4/2003 Gardenier et al. .... 4/541.1  
2008/0148471 A1\* 6/2008 Tatum ..... 4/541.6

### U.S. PATENT DOCUMENTS

D543,283 S \* 5/2007 Larsen ..... D24/204  
D621,947 S \* 8/2010 Larsen et al. .... D24/204  
D641,487 S \* 7/2011 Larsen et al. .... D24/204  
D649,256 S \* 11/2011 Larsen et al. .... D24/204  
D680,656 S \* 4/2013 Larsen et al. .... D24/204  
D683,038 S \* 5/2013 Larsen et al. .... D24/204

### FOREIGN PATENT DOCUMENTS

CN 302191693 \* 11/2012  
EM 001880758-0001 \* 6/2011  
EM 002226829-0004 \* 5/2013

\* cited by examiner

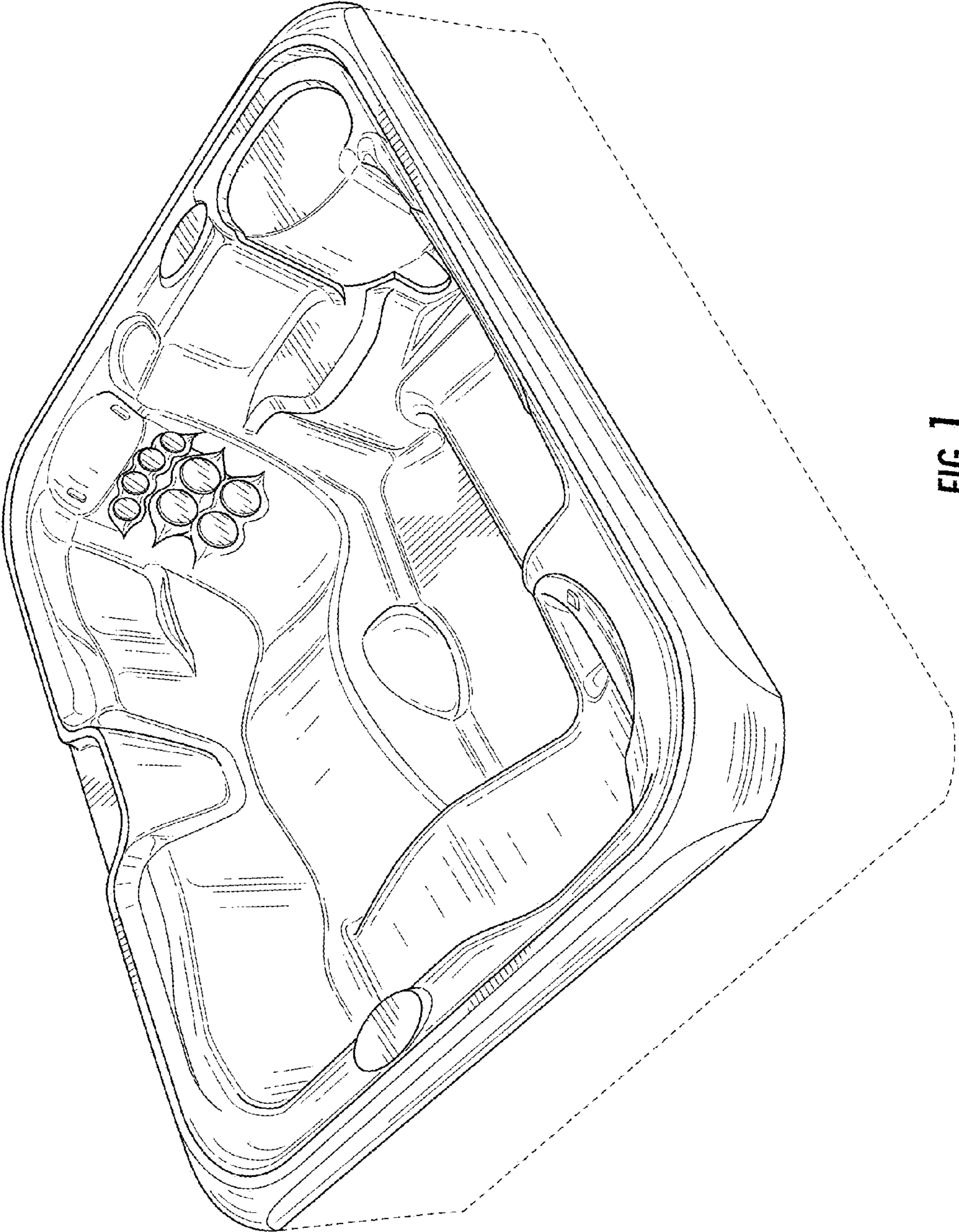


FIG. 1

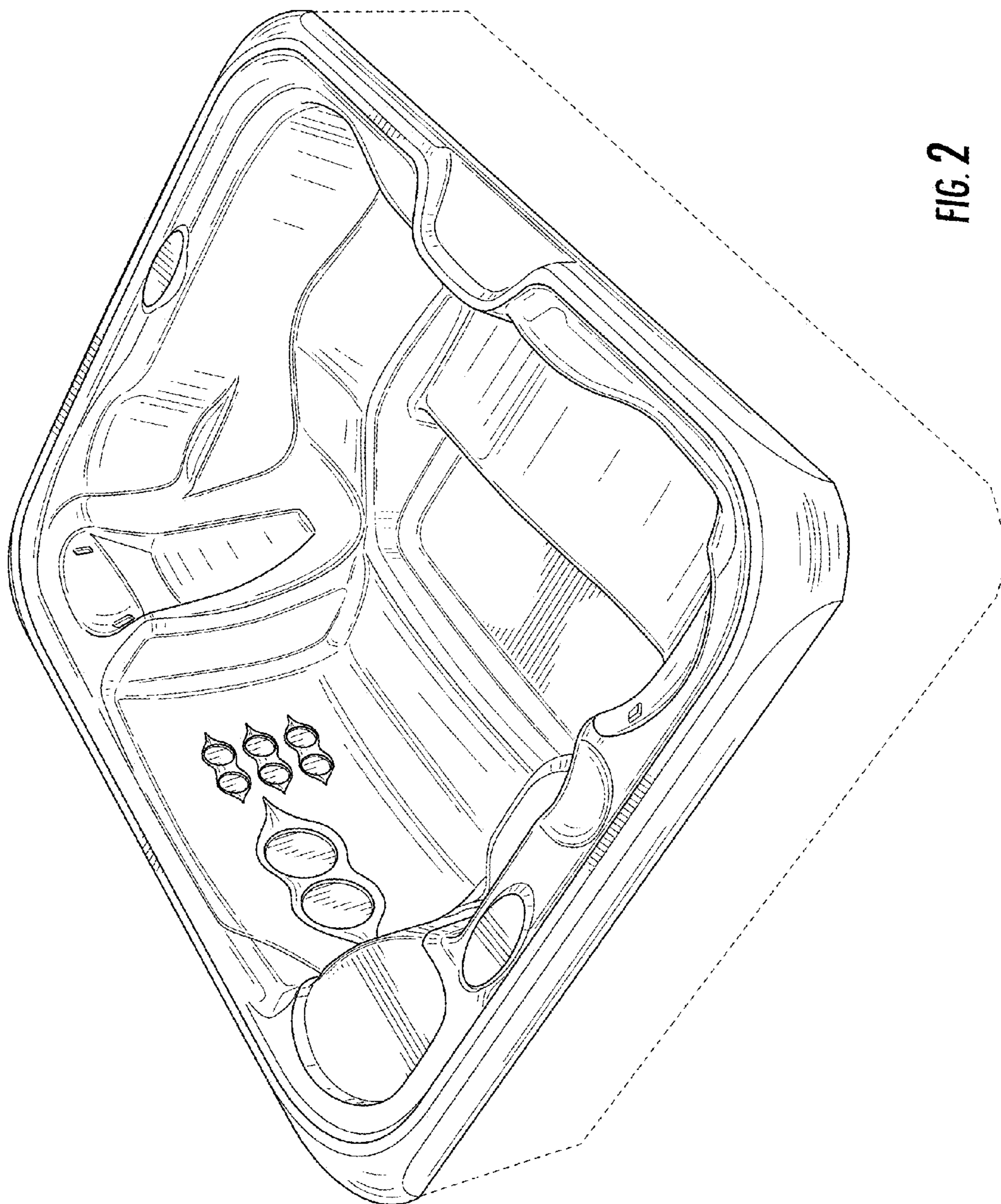


FIG. 2

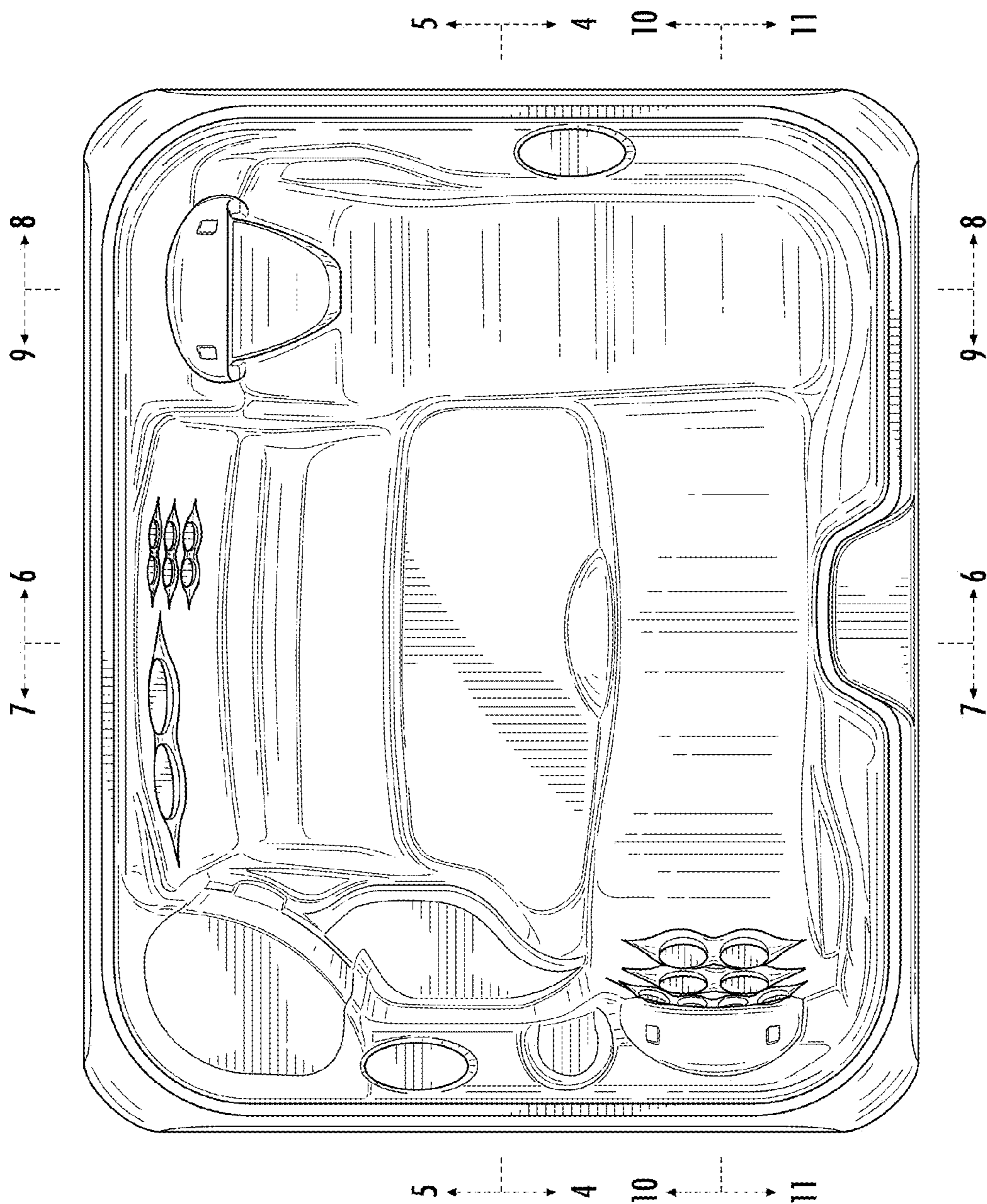


FIG. 3

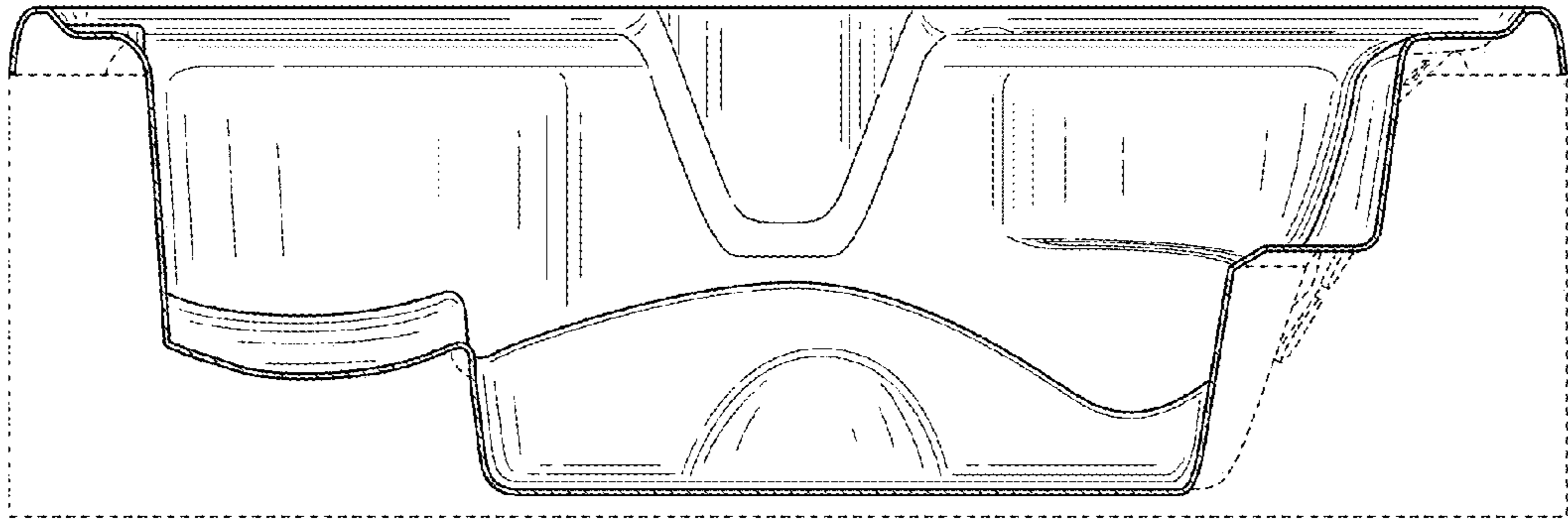


FIG. 4

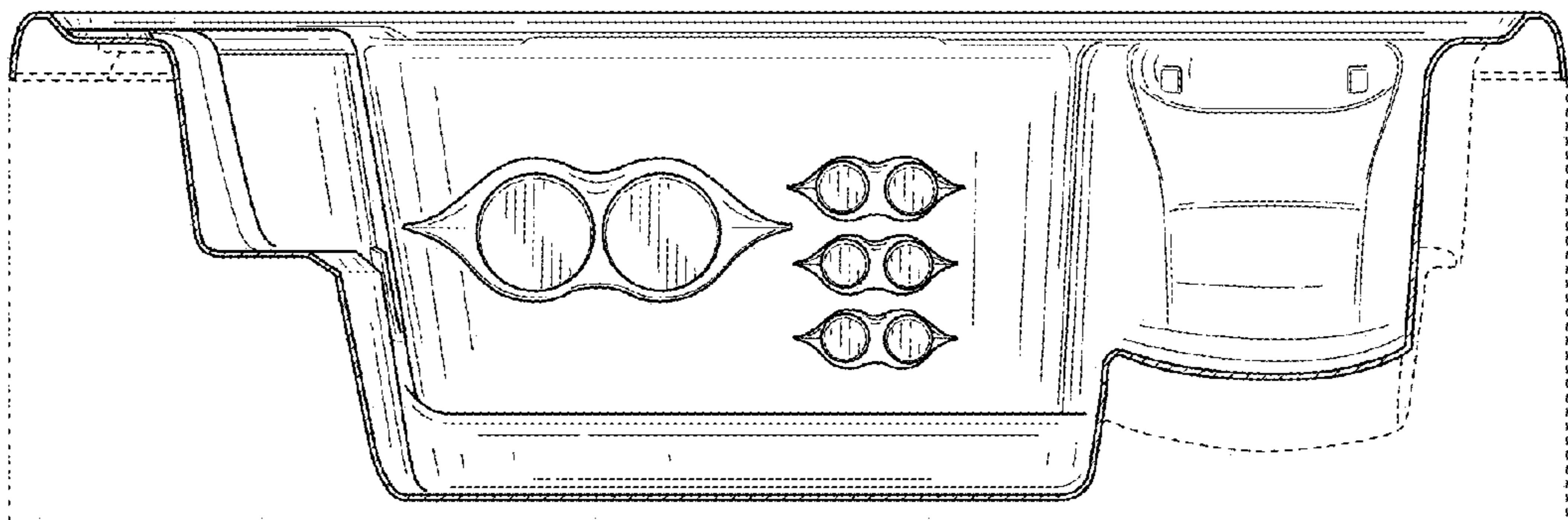


FIG. 5

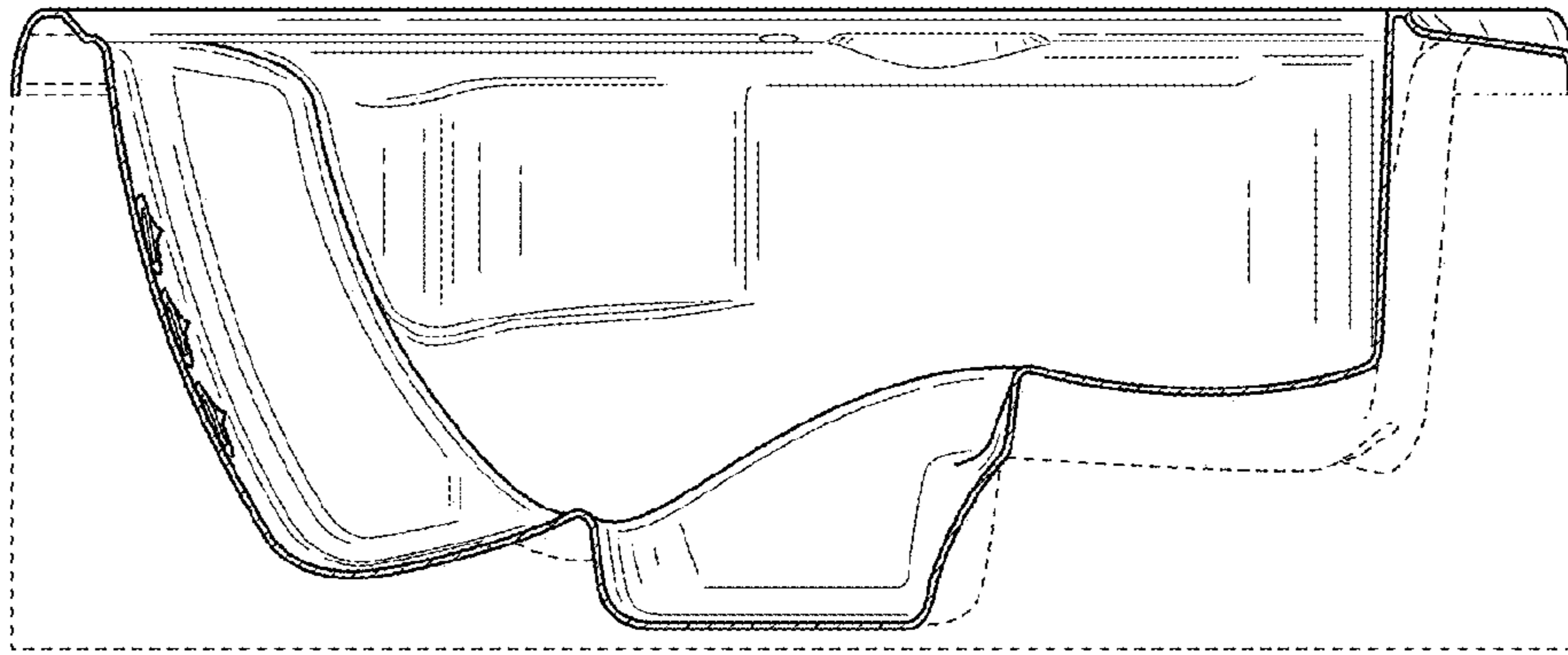


FIG. 6

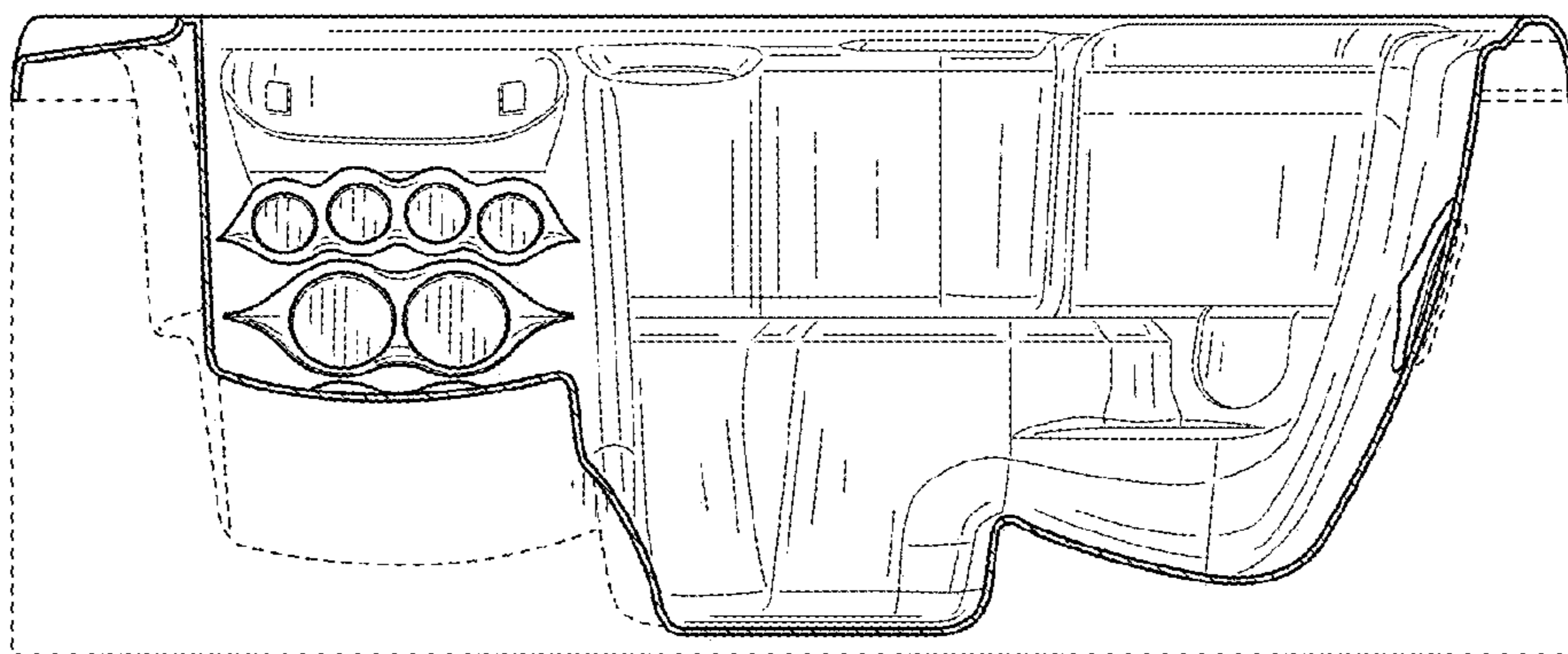


FIG. 7

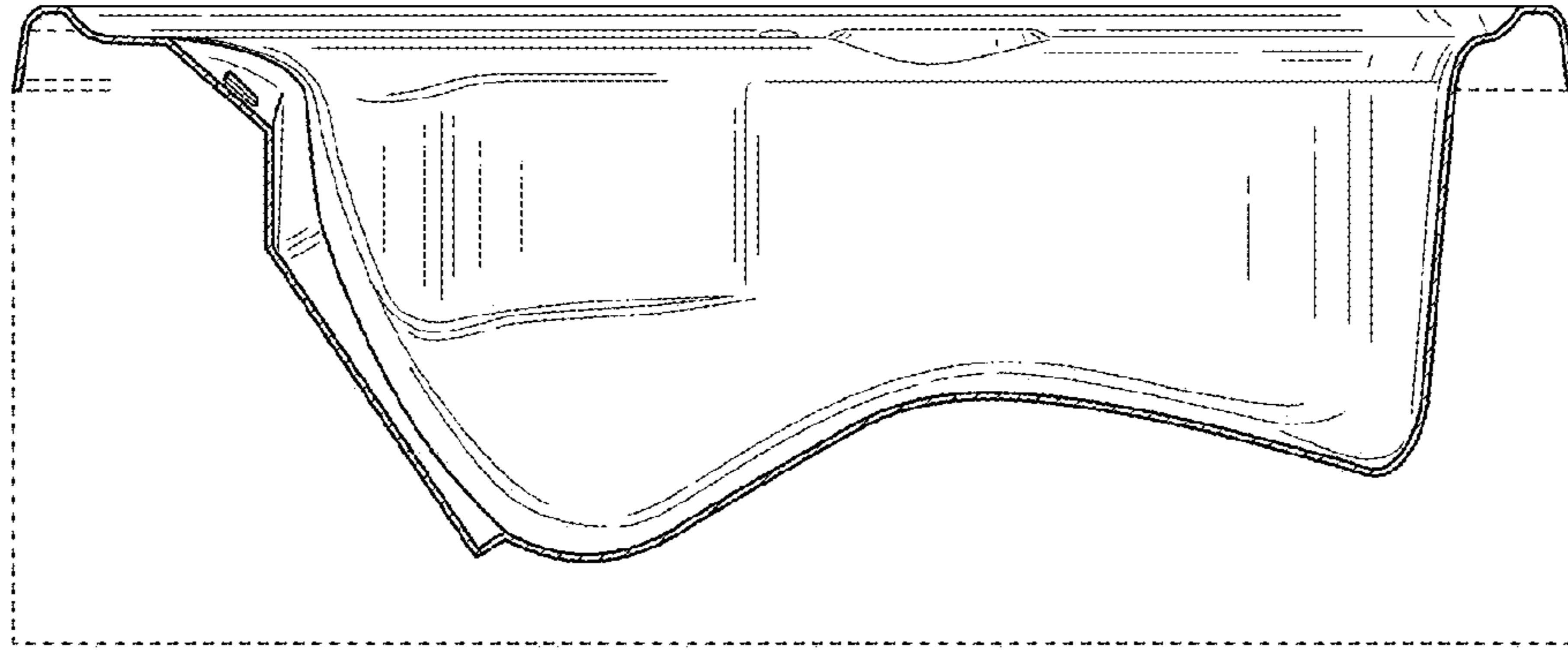


FIG. 8

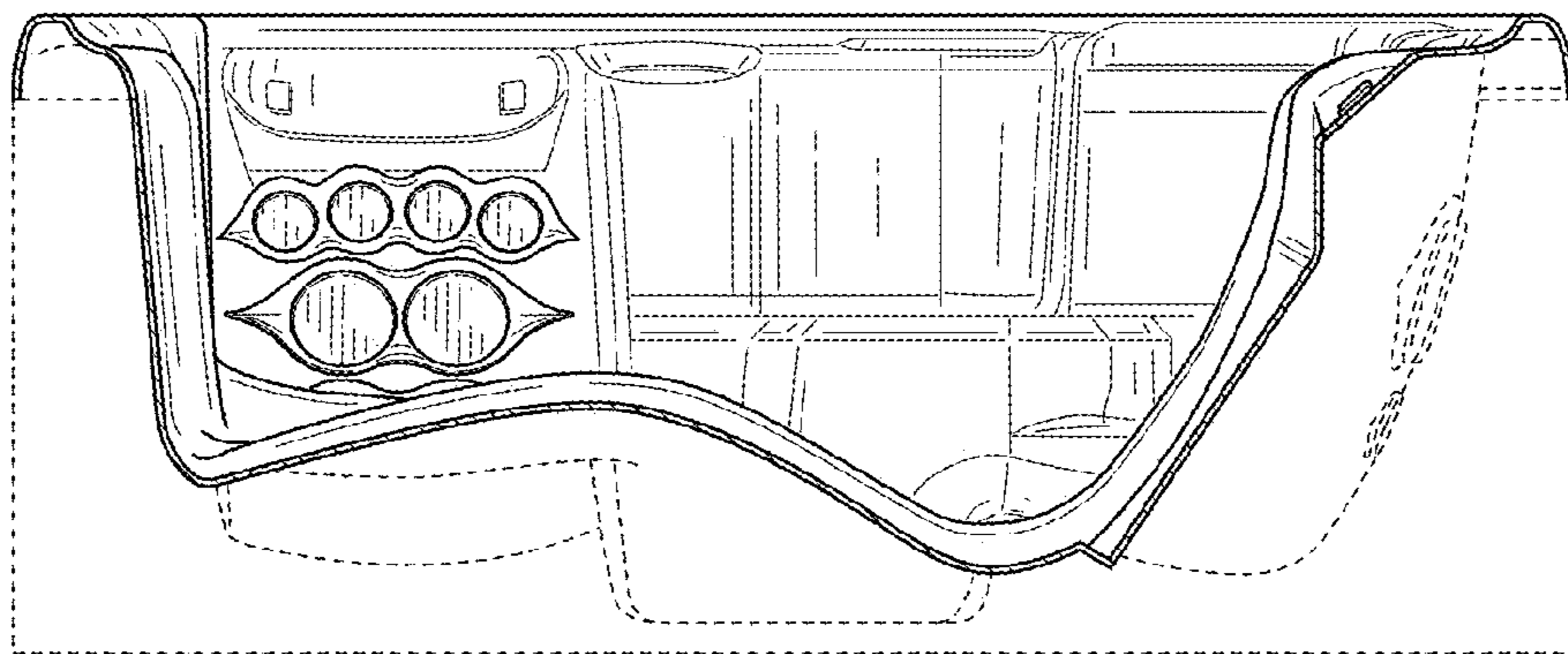


FIG. 9



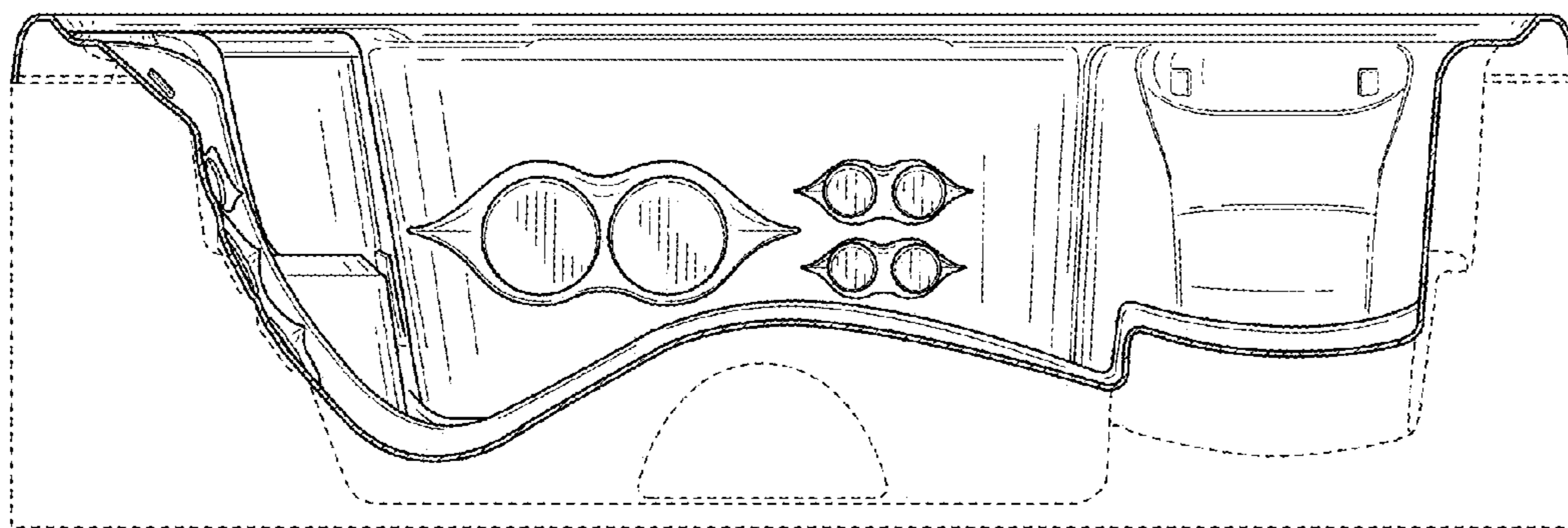


FIG. 10

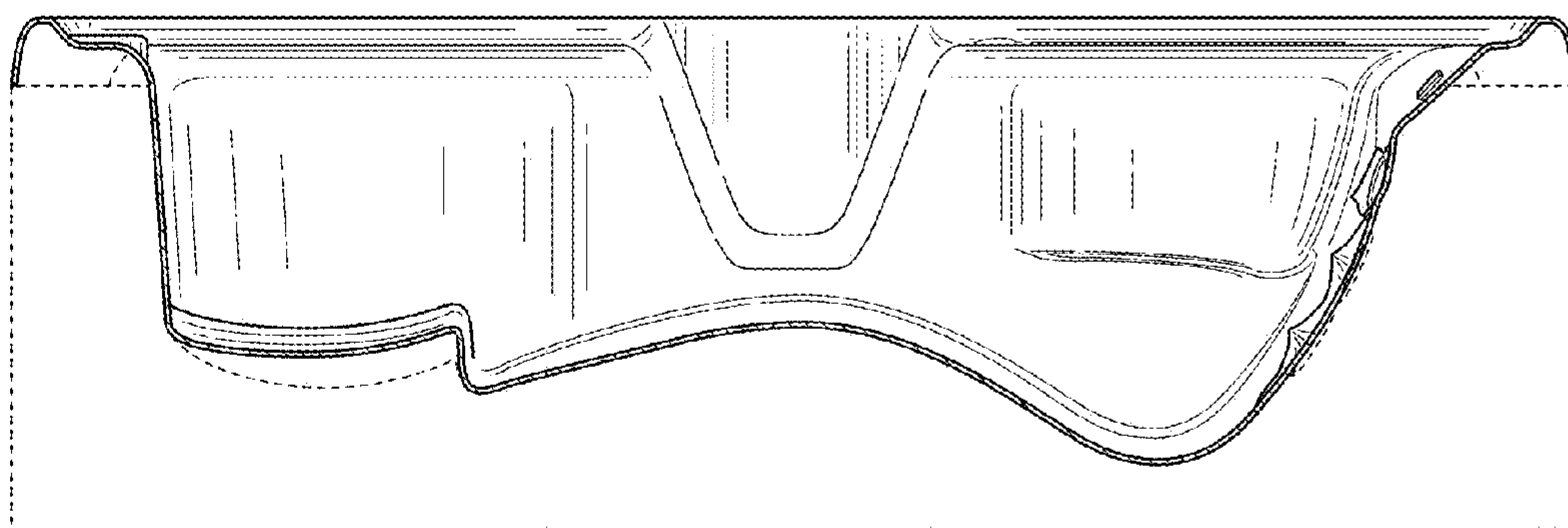


FIG. 11

UNITED STATES PATENT AND TRADEMARK OFFICE  
**CERTIFICATE OF CORRECTION**

PATENT NO. : D754,866 S  
APPLICATION NO. : 29/492898  
DATED : April 26, 2016  
INVENTOR(S) : Larsen et al.

Page 1 of 1

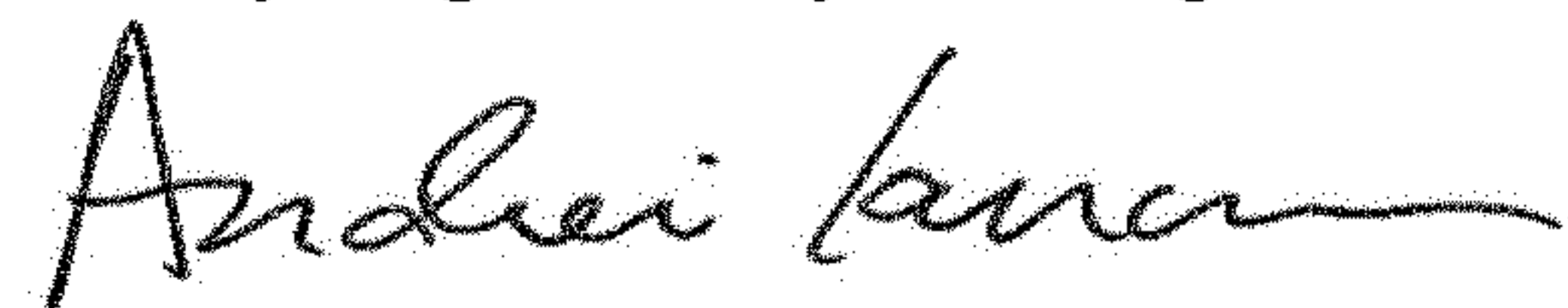
It is certified that error appears in the above-identified patent and that said Letters Patent is hereby corrected as shown below:

On the Title Page

Item [75]:

Insert -- Fernando Pardo, Newbury Park, CA;  
Tim Dze-How Chuang, Encino, CA;  
Alexandra McGill, Los Angeles, CA;  
Martti Johannes Lampela, Woodland Hills, CA --

Signed and Sealed this  
Twenty-eighth Day of August, 2018



Andrei Iancu  
*Director of the United States Patent and Trademark Office*