



US00D754861S

(12) **United States Design Patent**
O'Driscoll et al.

(10) **Patent No.:** **US D754,861 S**
(45) **Date of Patent:** **** Apr. 26, 2016**

- (54) **CONTACT LENS ANTENNA**
- (71) Applicant: **VERILY LIFE SCIENCES LLC**,
Mountain View, CA (US)
- (72) Inventors: **Stephen O'Driscoll**, San Francisco, CA
(US); **James Etzkorn**, Mountain View,
CA (US)
- (73) Assignee: **VERILY LIFE SCIENCES LLC**,
Mountain View, CA (US)
- (**) Term: **14 Years**
- (21) Appl. No.: **29/504,549**
- (22) Filed: **Oct. 7, 2014**
- (51) **LOC (10) Cl.** **24-02**
- (52) **U.S. Cl.**
USPC **D24/186**
- (58) **Field of Classification Search**
USPC D24/165-168, 186, 187, 107, 200;
D14/230; 600/347, 365, 383;
351/159.02, 159.03; D16/101, 306,
D16/331
CPC . A61B 5/14555; A61B 5/147; G01N 27/3271
See application file for complete search history.

- 2014/0371560 A1* 12/2014 Etkorn A61B 5/682
600/365
- 2015/0002270 A1* 1/2015 Otis A61B 5/1477
340/10.1
- 2015/0073253 A1* 3/2015 Bouwstra G02C 7/083
600/398

* cited by examiner

Primary Examiner — Anhdao Doan

(74) *Attorney, Agent, or Firm* — McDonnell Boehnen
Hulbert & Berghoff LLP

(57) **CLAIM**

The ornamental design for a contact lens antenna, as shown
and described.

DESCRIPTION

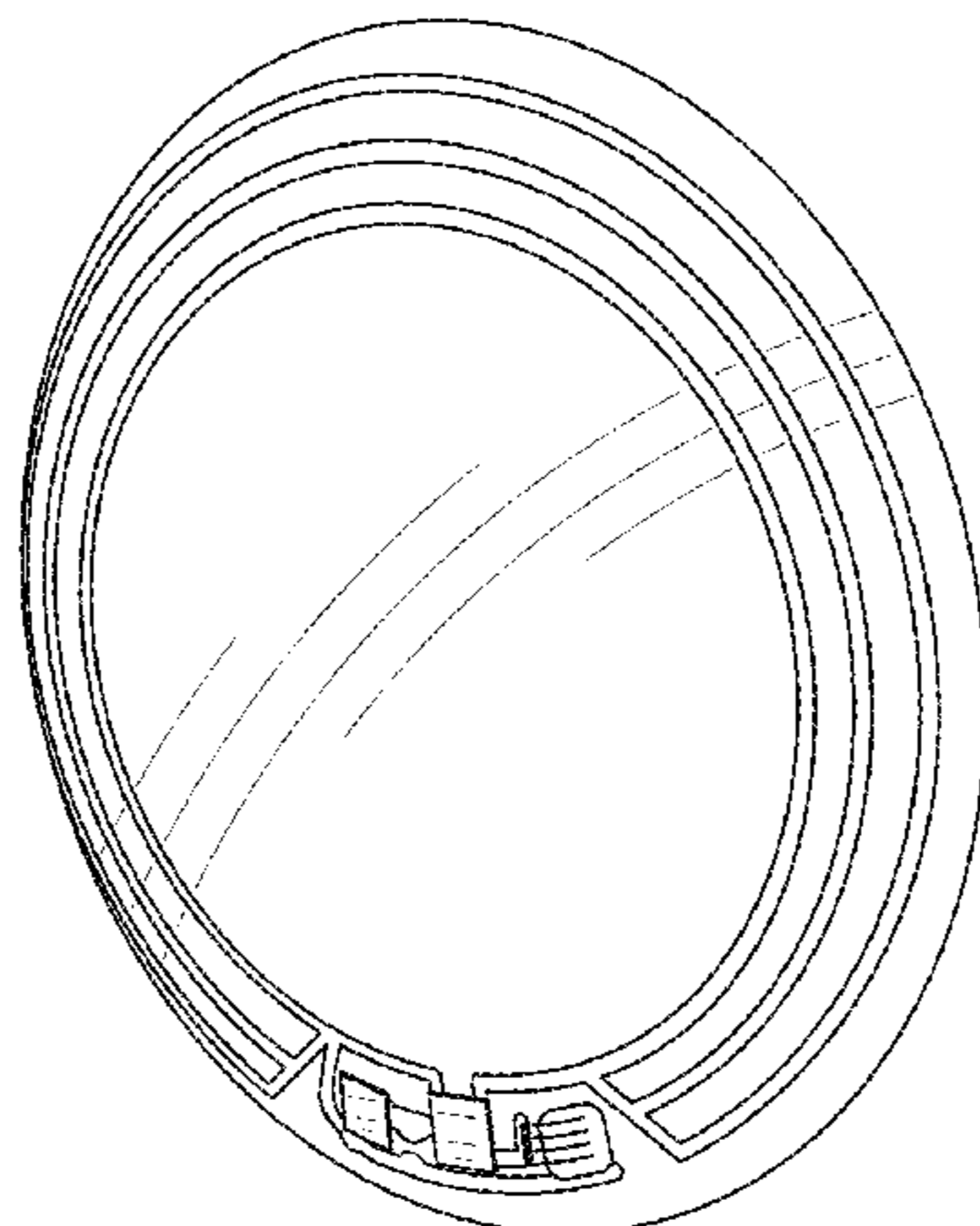
FIG. 1 is a first embodiment of a contact lens antenna in a perspective view;
 FIG. 2 is a top view thereof;
 FIG. 3 is a bottom view thereof;
 FIG. 4 is a left side view thereof;
 FIG. 5 is a right side thereof;
 FIG. 6 is a front view thereof;
 FIG. 7 is a rear view thereof;
 FIG. 8 is a perspective view showing the contact lens antenna positioned on an eye;
 FIG. 9 is a second embodiment of a contact lens antenna in a perspective view;
 FIG. 10 is a top view thereof;
 FIG. 11 is a bottom view thereof;
 FIG. 12 is a left side view thereof;
 FIG. 13 is a right side view thereof;
 FIG. 14 is a front view thereof;
 FIG. 15 is a rear view thereof; and,
 FIG. 16 is a perspective view showing the contact lens antenna positioned on an eye.
 The broken line showing of an eye in FIGS. 8 and 16 represents an environmental subject matter, and other broken lines are included for the purpose of illustrating portions of the contact lens antenna that form no part of the claimed design. None of the broken lines form a part of the claimed design.

(56) **References Cited**

U.S. PATENT DOCUMENTS

- D416,923 S * 11/1999 Jahnke D16/101
- D574,369 S * 8/2008 Oliver D14/230
- D614,174 S * 4/2010 Gladstone D14/230
- D659,684 S * 5/2012 Karakama D14/230
- D671,580 S * 11/2012 Fahy D16/101
- 8,880,139 B1 * 11/2014 Etkorn G01N 27/3271
204/403.01
- 8,922,366 B1 * 12/2014 Honore A61B 5/14532
340/539.12
- 2002/0193674 A1 * 12/2002 Fleischman A61B 3/16
600/399
- 2011/0184271 A1 * 7/2011 Veciana A61B 3/16
600/398
- 2013/0135578 A1 * 5/2013 Pugh G02C 7/04
351/159.39

1 Claim, 16 Drawing Sheets



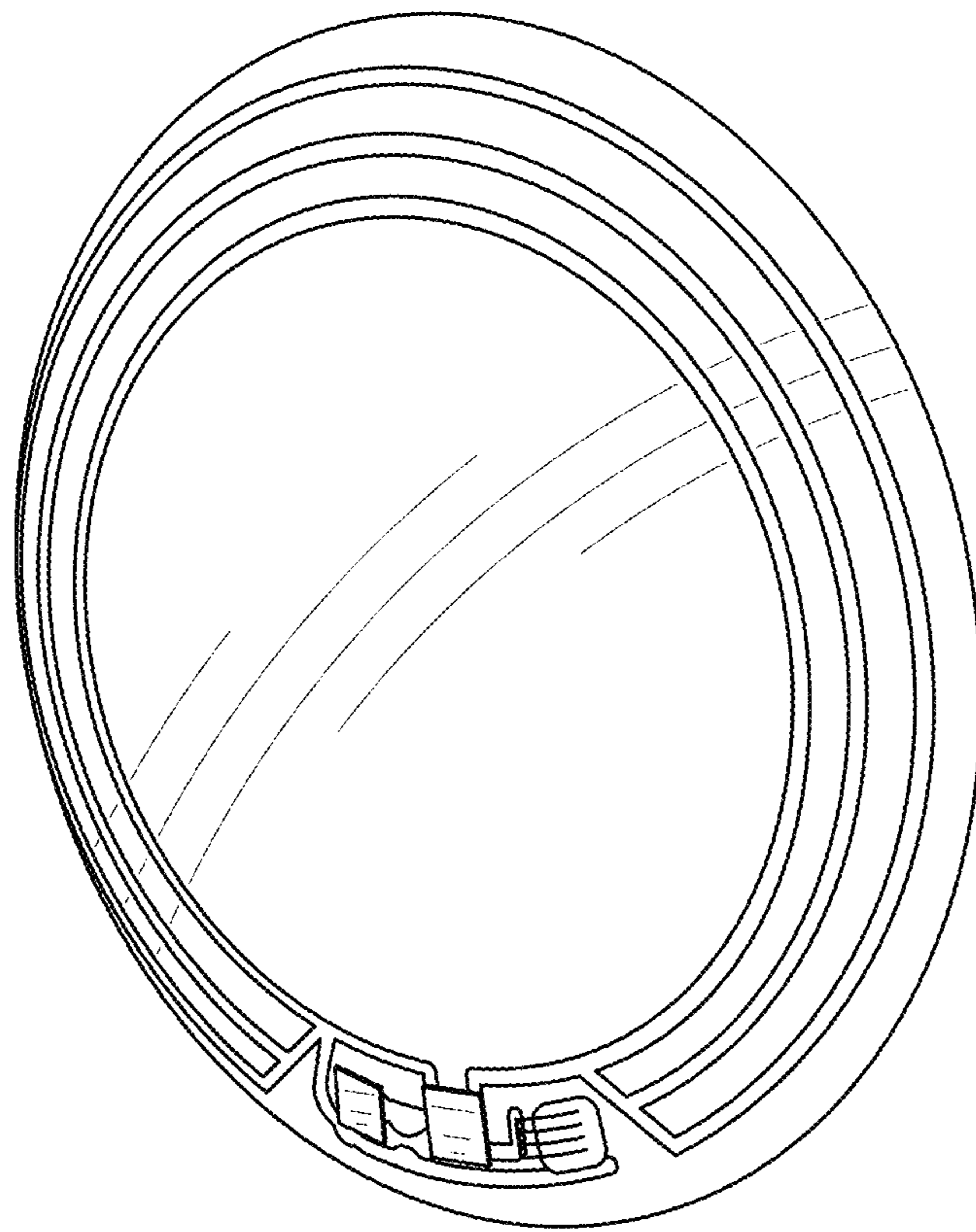


FIG. 1

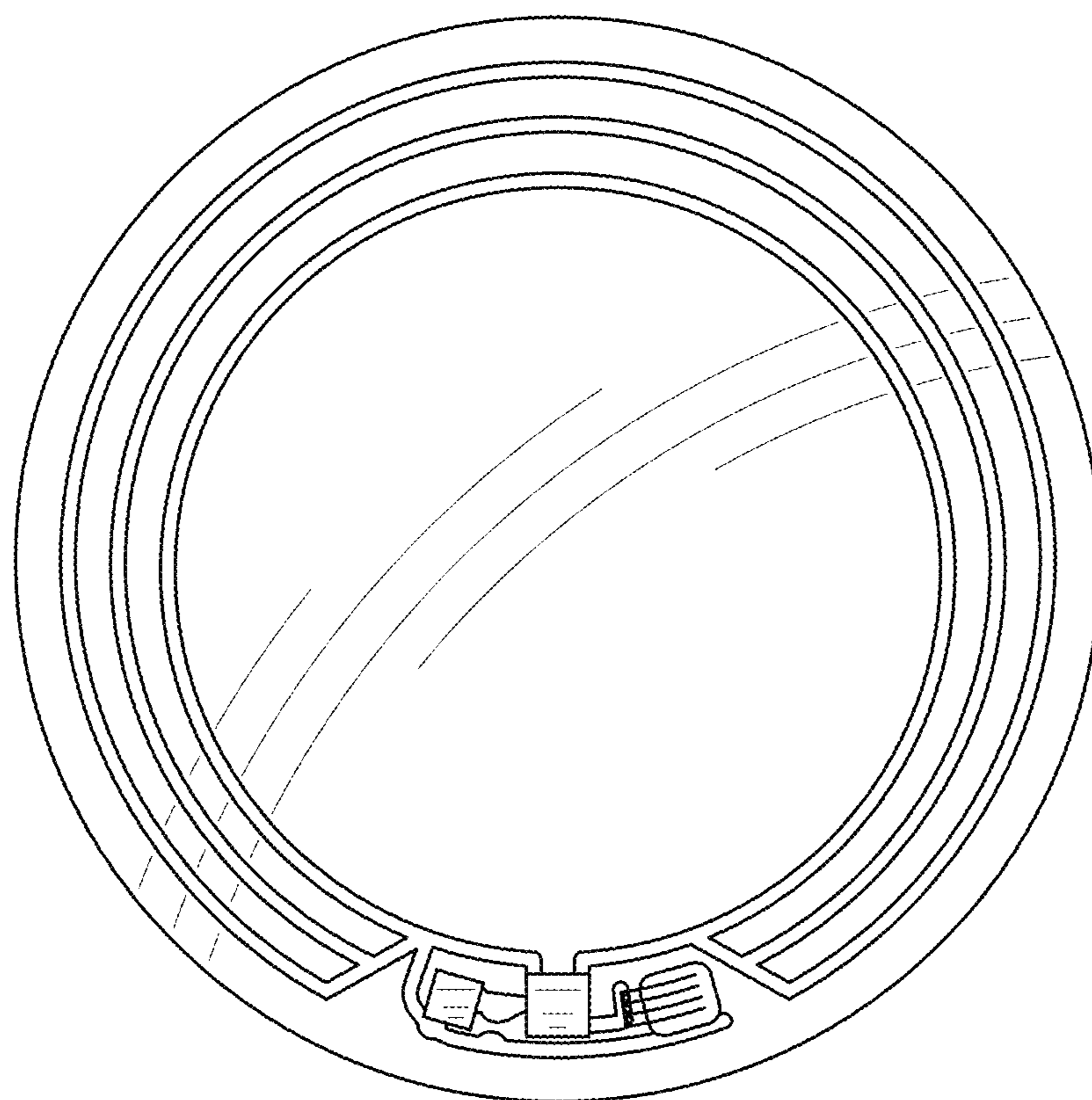


FIG. 2

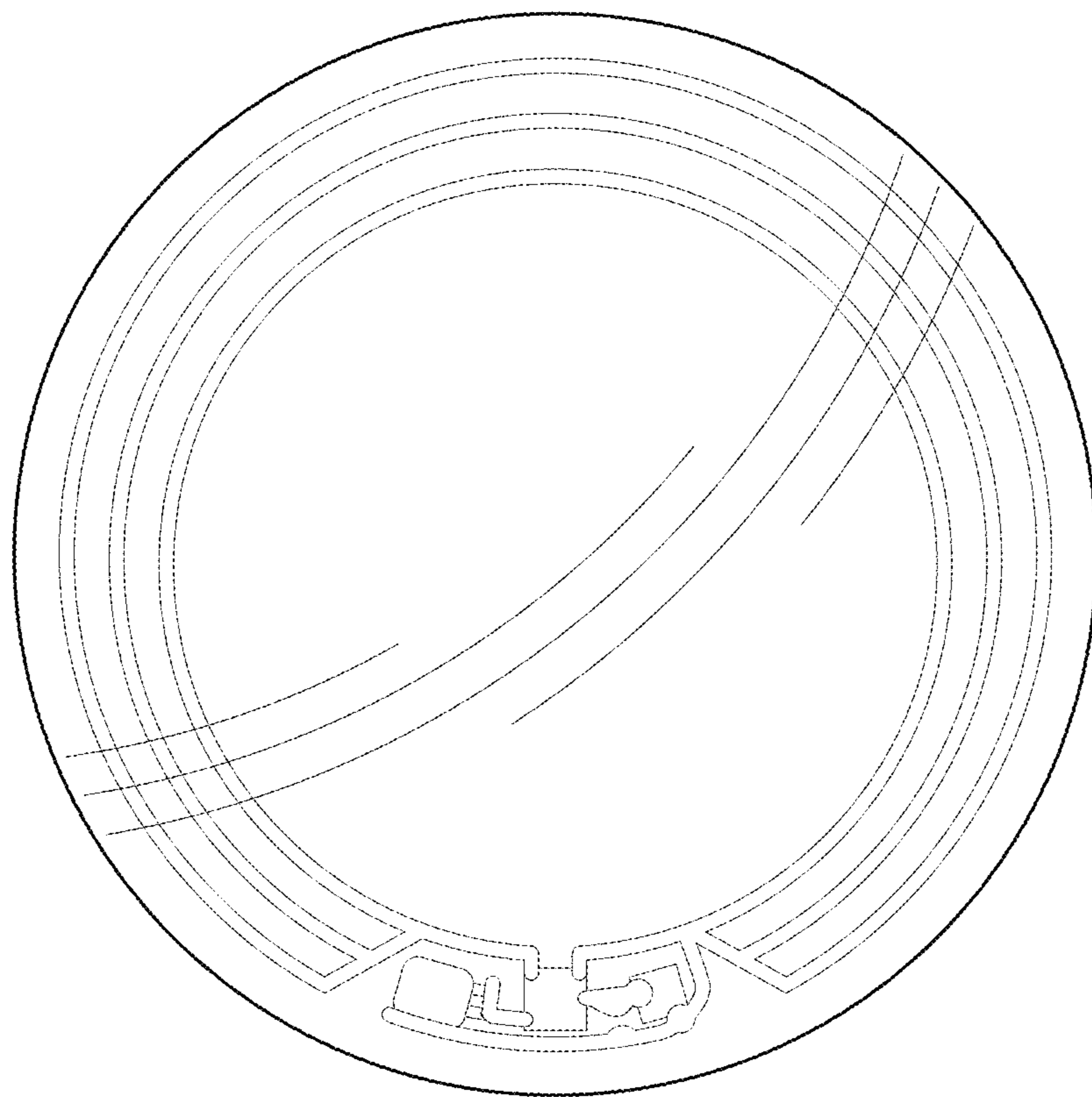


FIG. 3

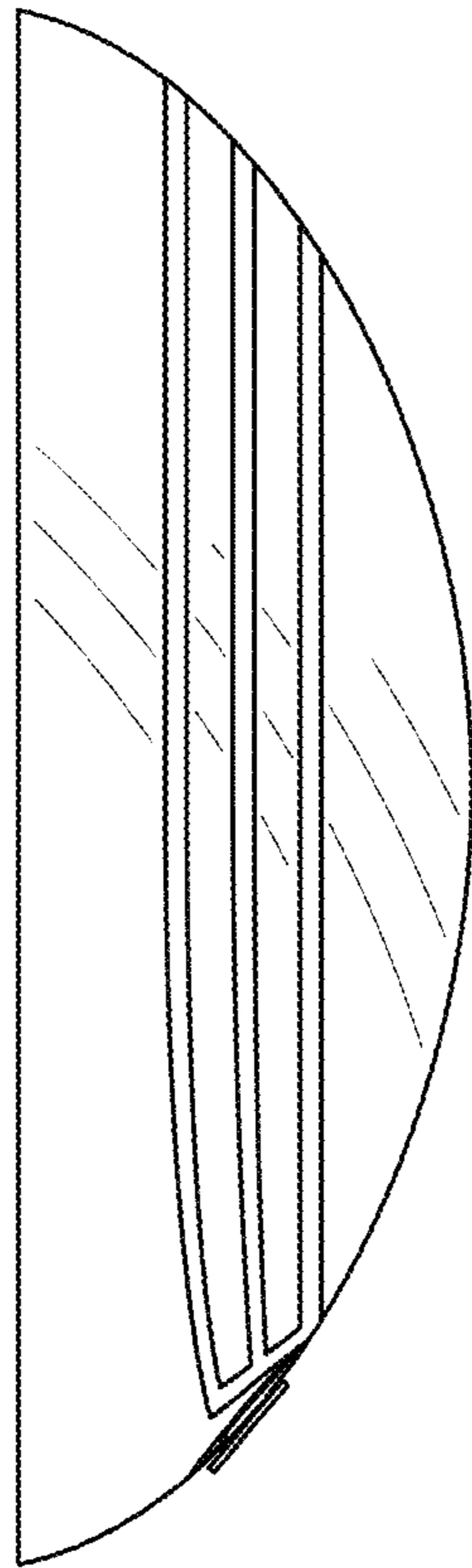


FIG. 4

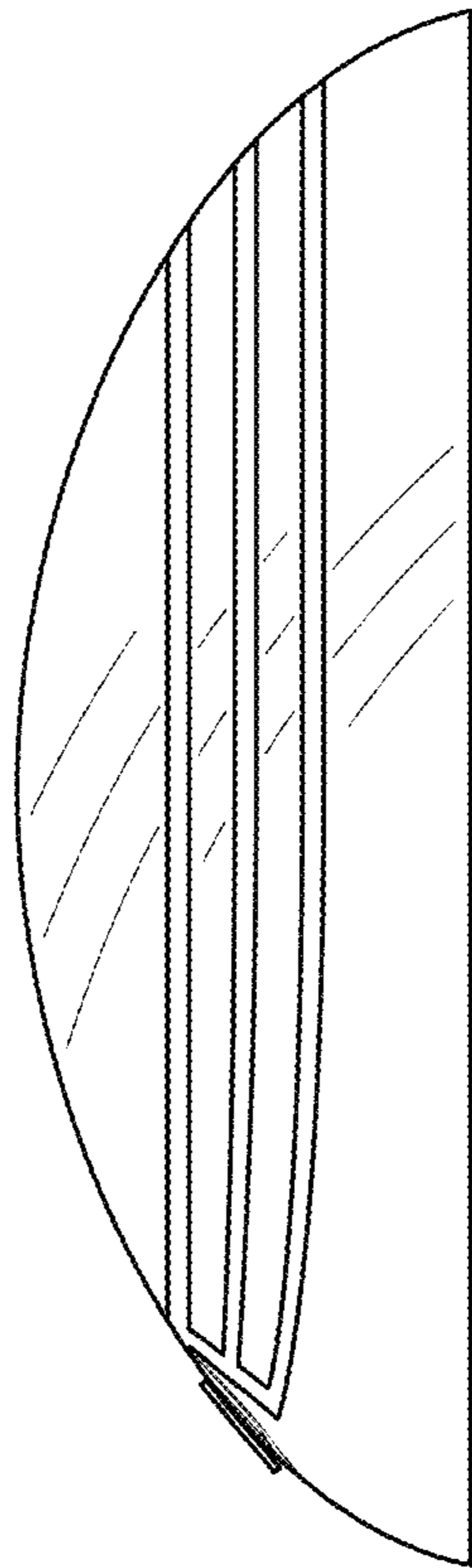


FIG. 5

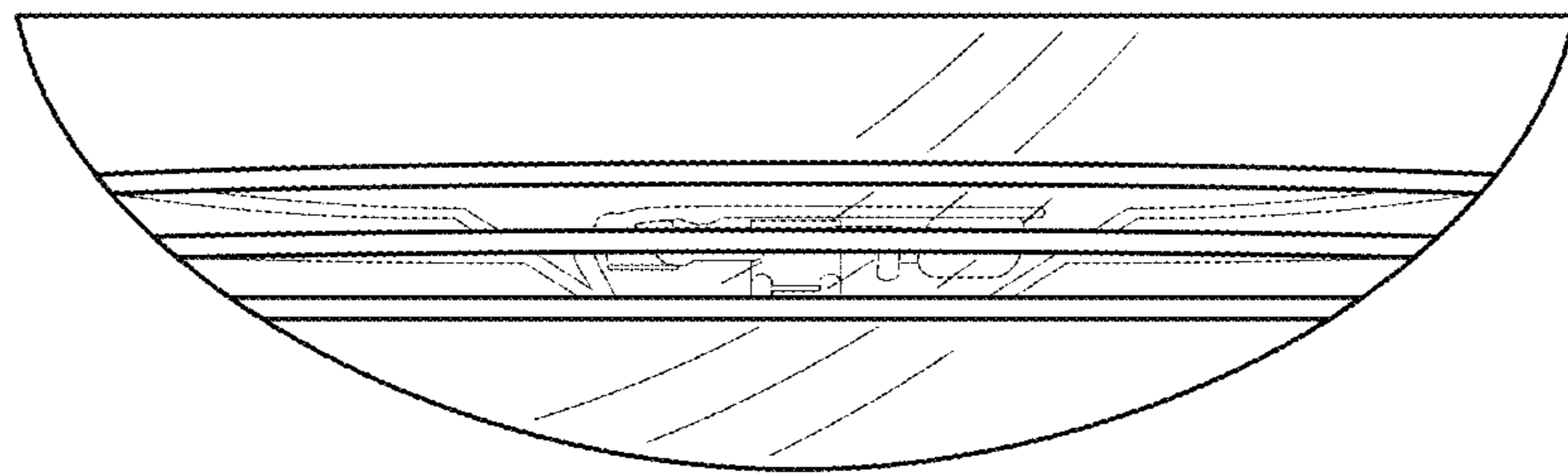


FIG. 6

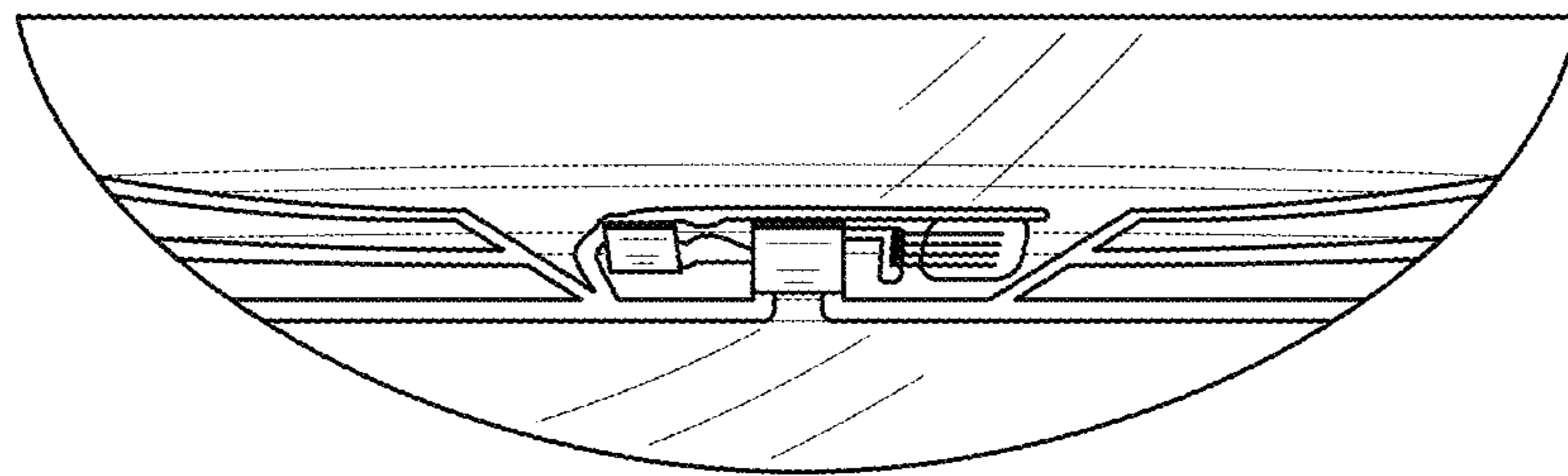


FIG. 7

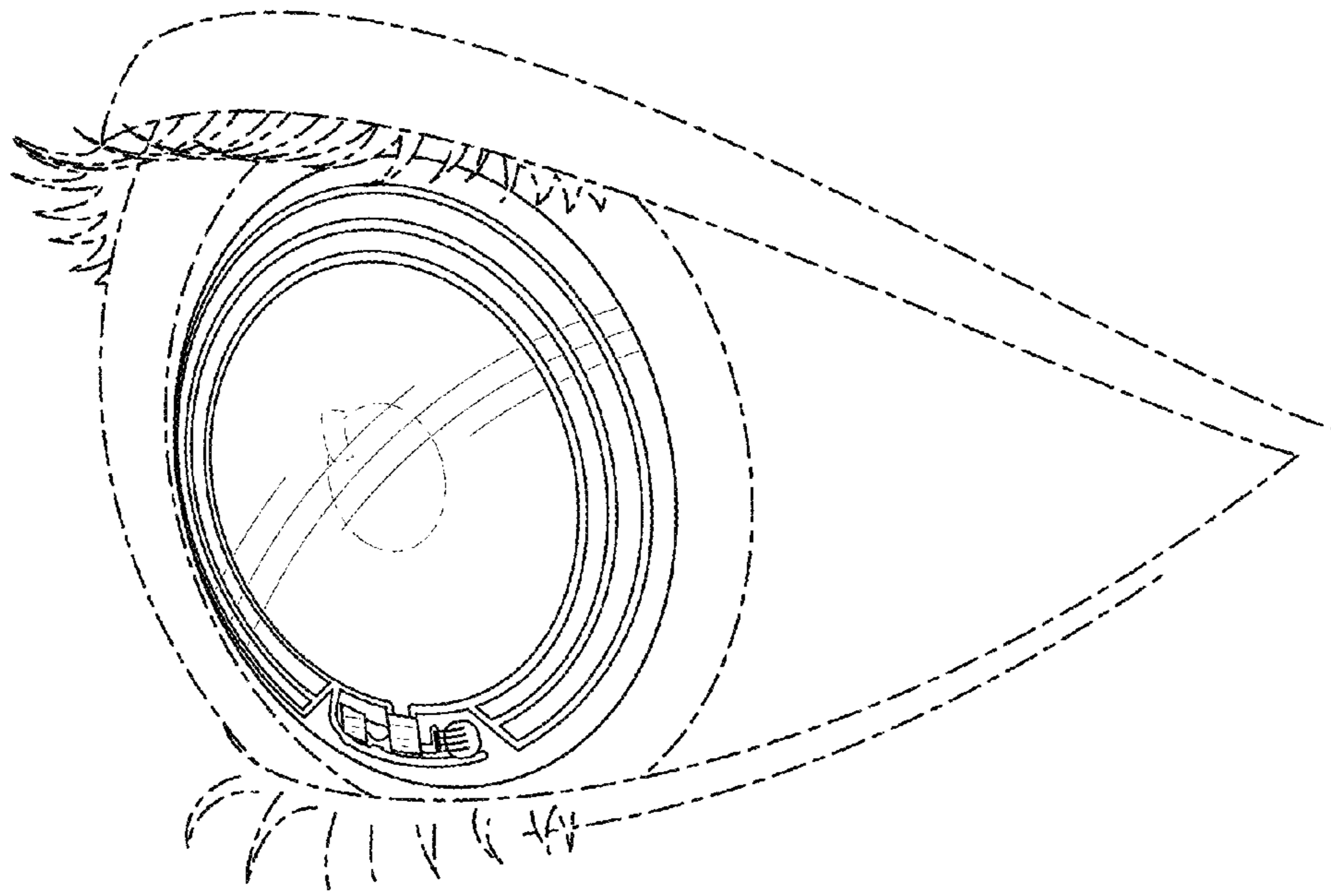


FIG. 8

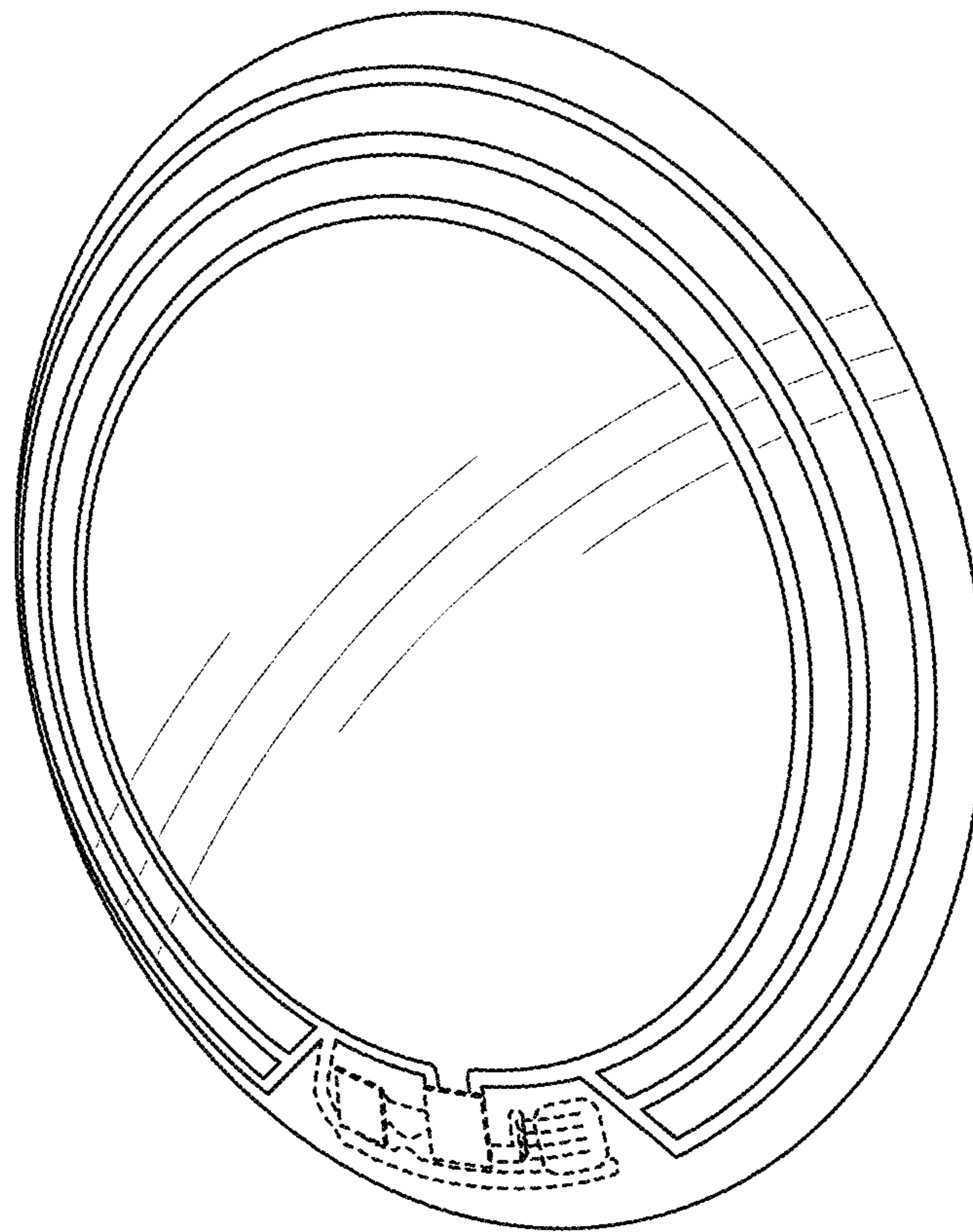


FIG. 9

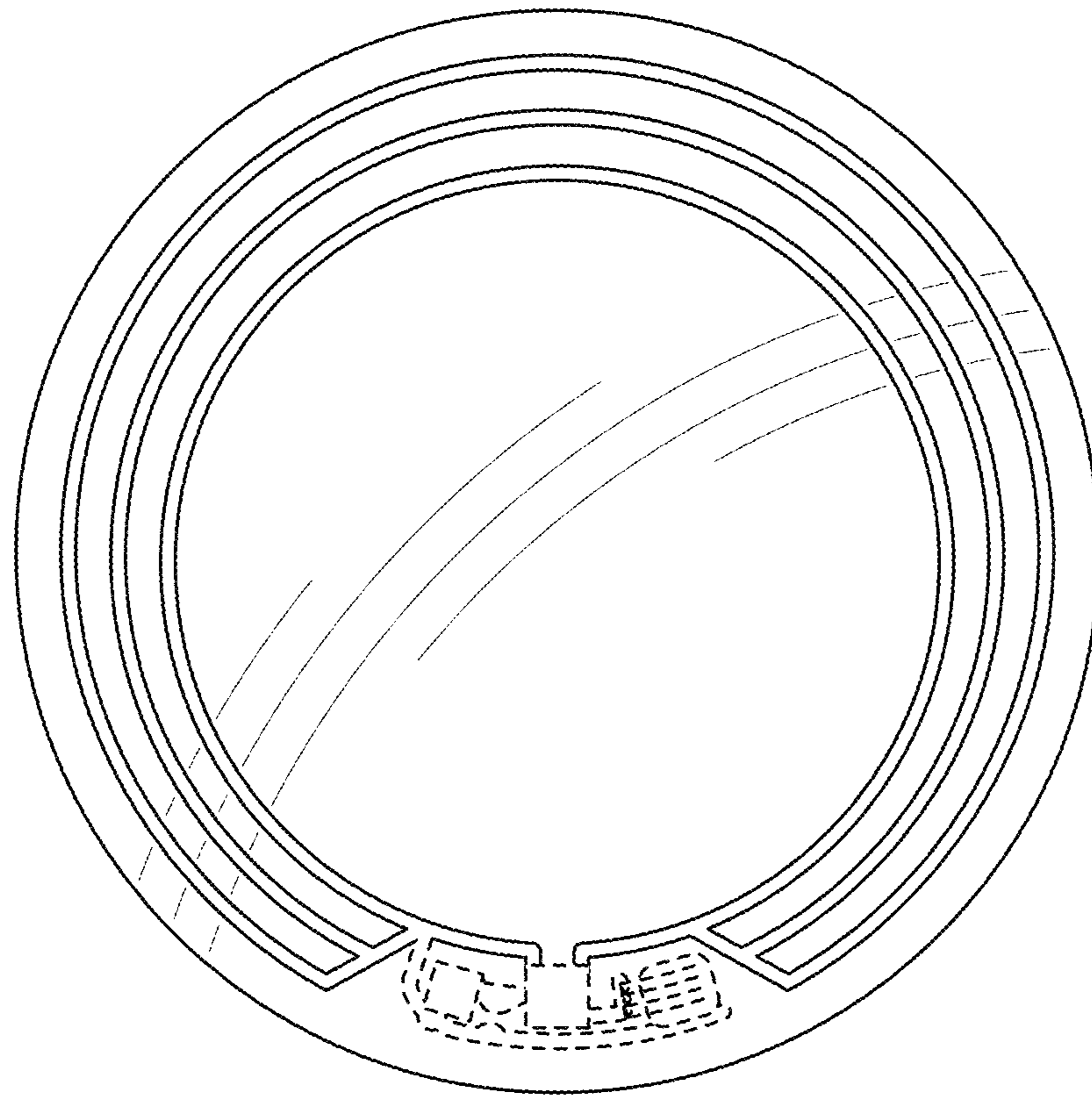


FIG. 10

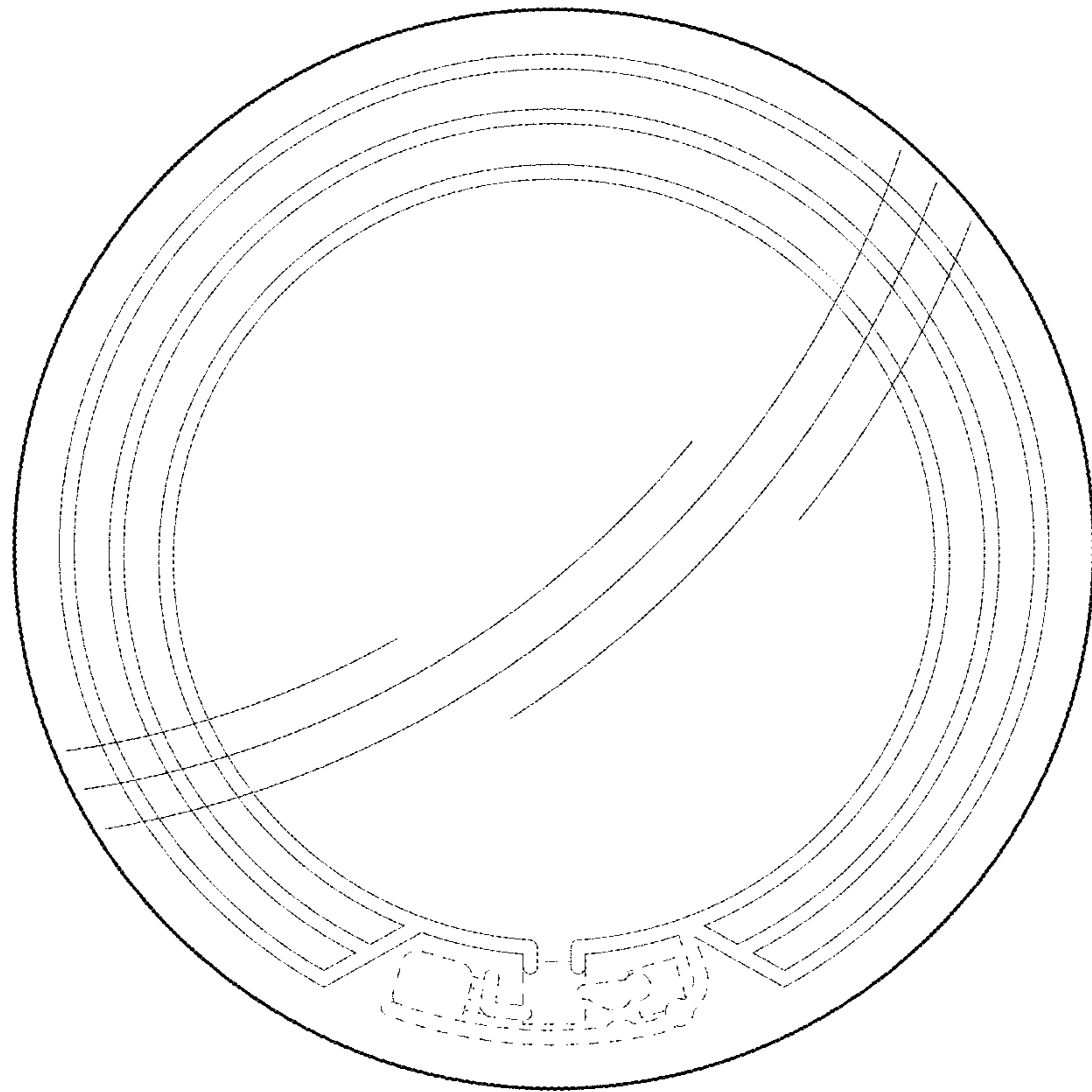


FIG. 11

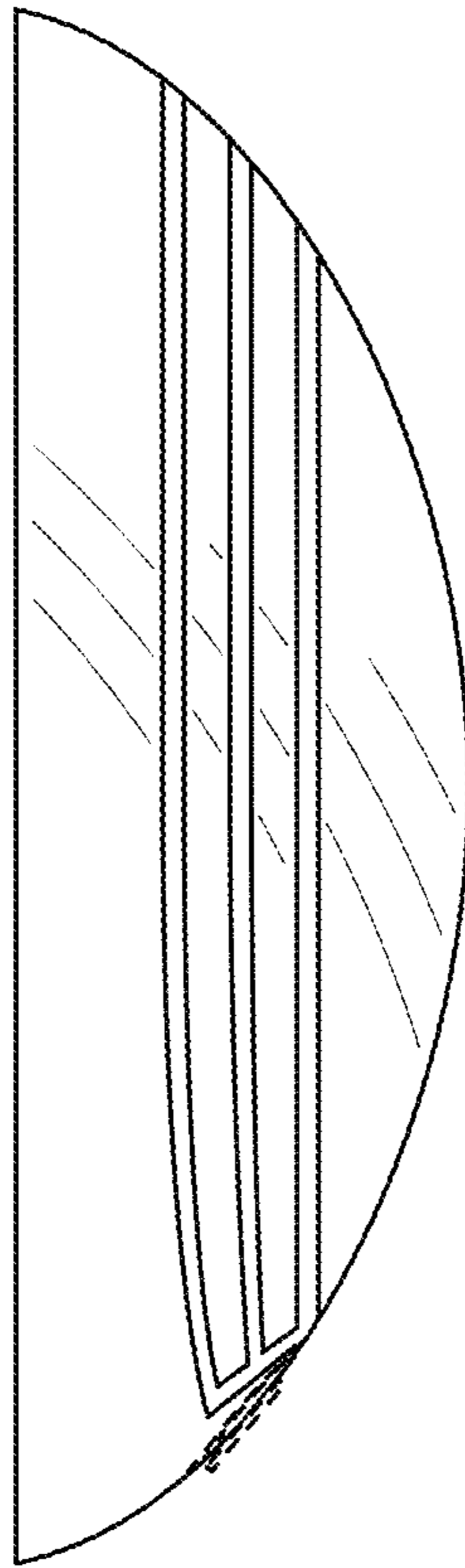


FIG. 12

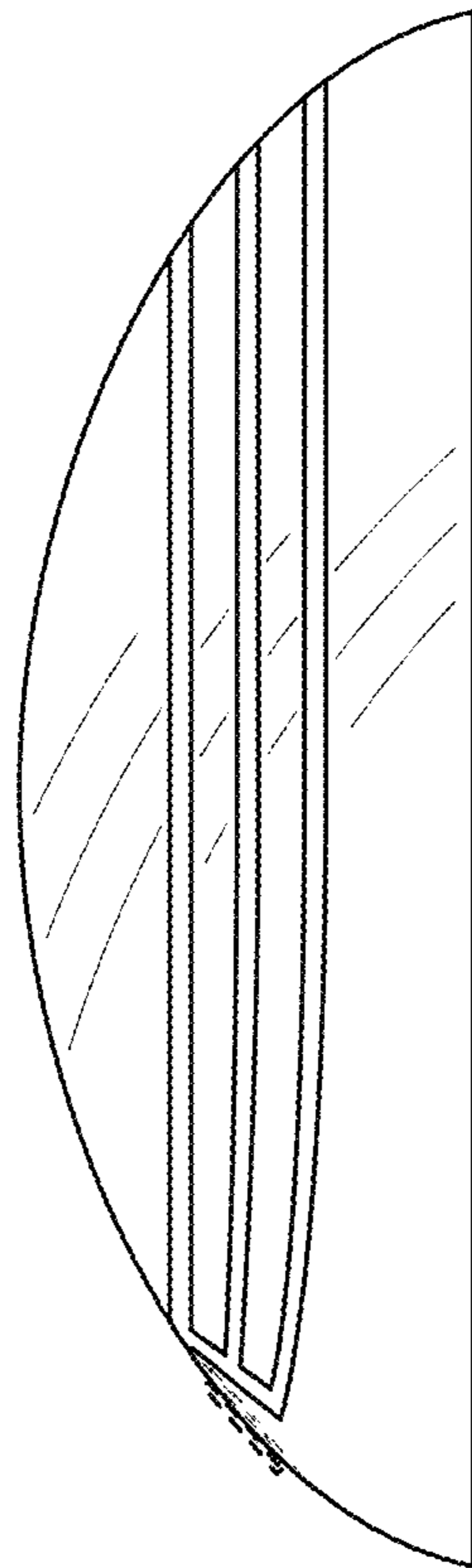


FIG. 13

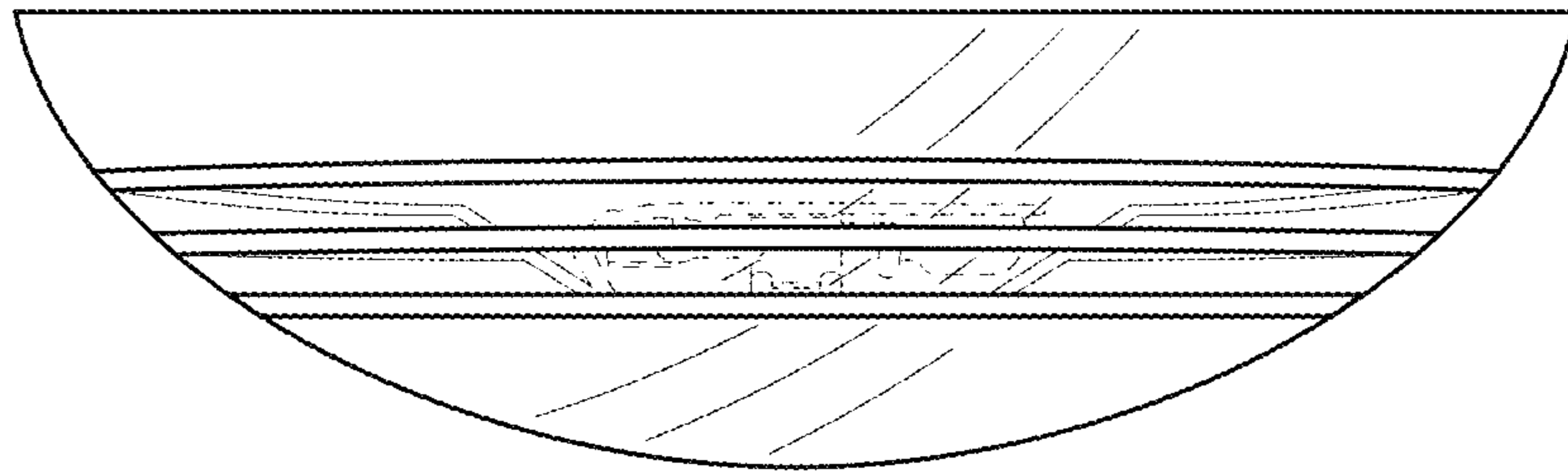


FIG. 14

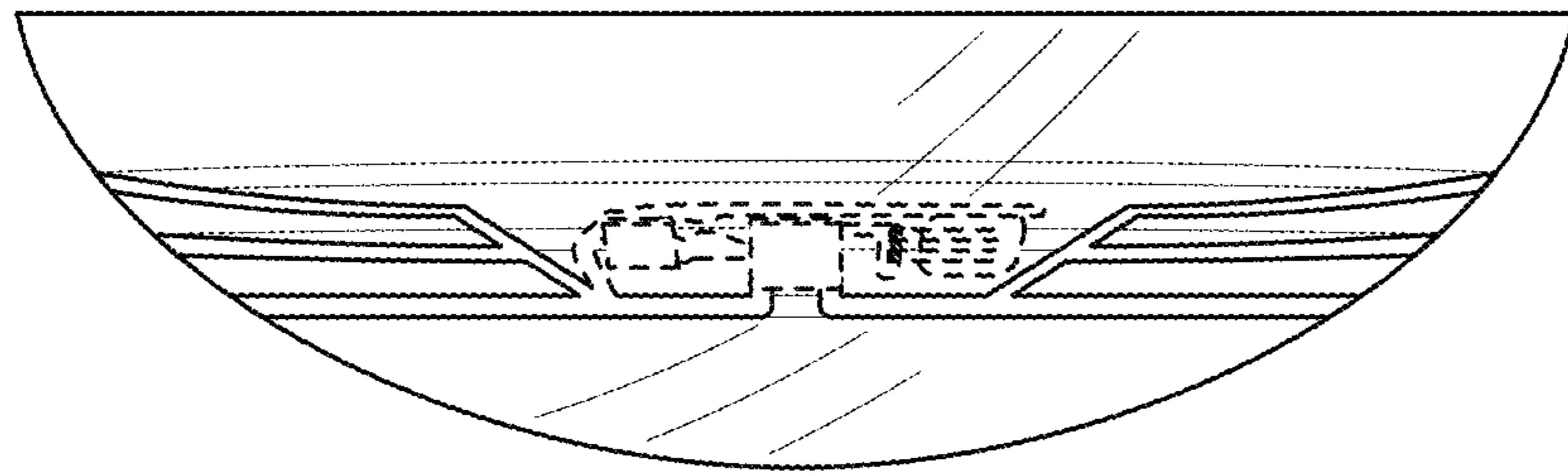


FIG. 15

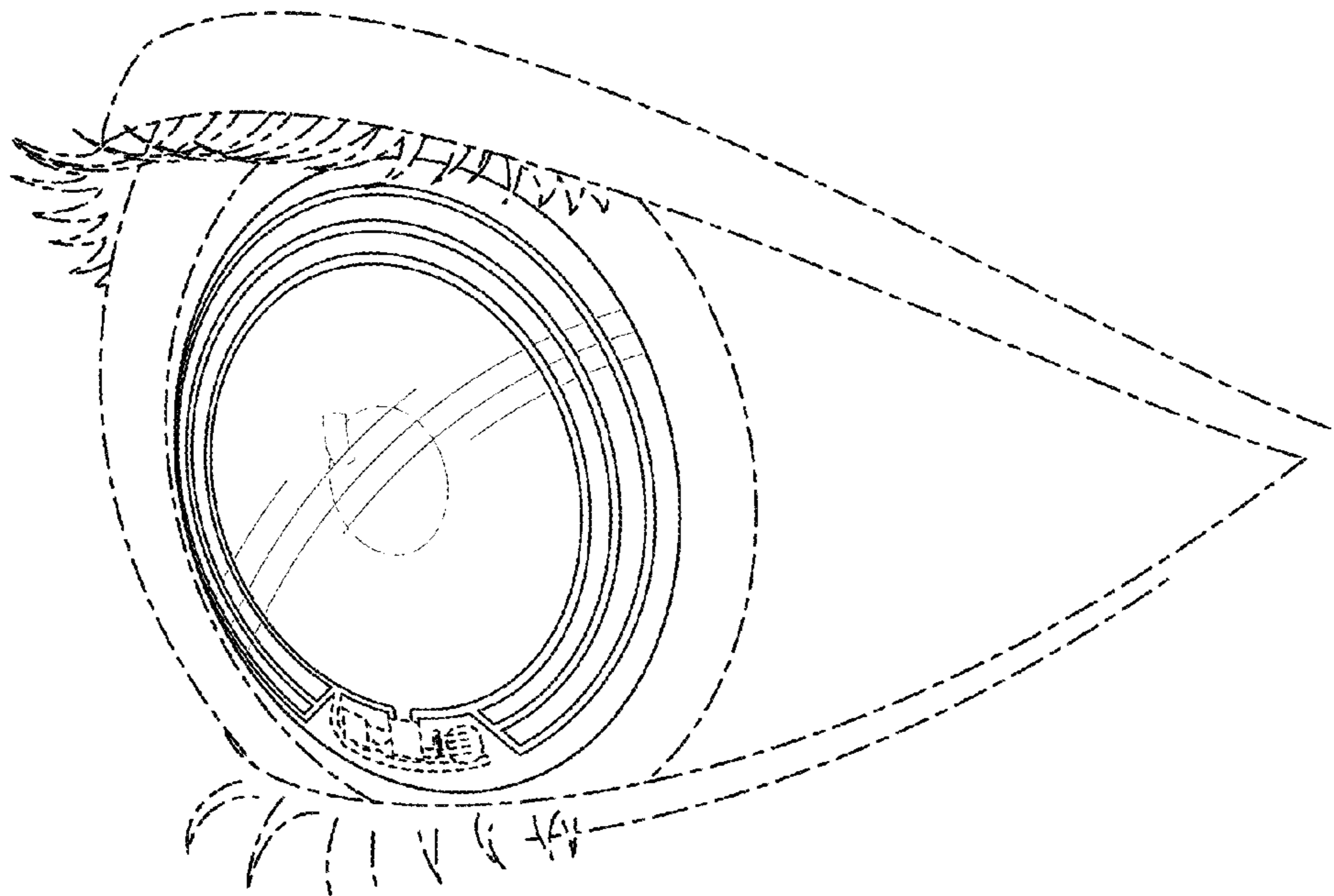


FIG. 16