



US00D754860S

(12) **United States Design Patent**
Ikenaga

(10) **Patent No.:** **US D754,860 S**
(45) **Date of Patent:** **** Apr. 26, 2016**

(54) **HOLDER FOR DENTAL RESIN**
(71) Applicant: **Kuraray Noritake Dental Inc.,**
Kurashiki-shi, Okayama (JP)
(72) Inventor: **Yoshimi Ikenaga,** Tokyo (JP)
(73) Assignee: **Kuraray Noritake Dental Inc.,**
Kurashiki-shi, Okayama (JP)

(**) Term: **14 Years**
(21) Appl. No.: **29/515,284**
(22) Filed: **Jan. 21, 2015**

(30) **Foreign Application Priority Data**
Jul. 31, 2014 (JP) 2014-016748
(51) **LOC (10) Cl.** **24-02**
(52) **U.S. Cl.**
USPC **D24/181**
(58) **Field of Classification Search**
USPC D24/152, 181, 155-156, 176
CPC A61C 13/0022; A61C 13/00; A61C
13/0009; A61C 13/0003
See application file for complete search history.

(56) **References Cited**
U.S. PATENT DOCUMENTS
4,615,678 A * 10/1986 Moermann A61C 13/0022
428/542.8
5,342,696 A * 8/1994 Eidenbenz A61C 13/0022
269/287
5,939,211 A * 8/1999 Mormann A61C 13/0022
264/16
6,669,875 B2 * 12/2003 Meyertholen A61C 13/0003
264/138
D618,807 S * 6/2010 Konrad D24/181
8,443,502 B2 * 5/2013 Galehr A61C 13/0022
29/281.1
D716,455 S 10/2014 Rusin et al.
D716,456 S 10/2014 Rusin et al.

8,940,402 B2 * 1/2015 Giordano A61C 13/0022
428/542.8
9,155,598 B2 * 10/2015 Niewiadomski ... A61C 13/0009
2007/0050072 A1 * 3/2007 Schwotzer A61C 13/0022
700/116
2011/0229857 A1 * 9/2011 Niewiadomski ... A61C 13/0022
433/201.1

FOREIGN PATENT DOCUMENTS

| | | |
|----|----------------|--------|
| EM | 001378012-0001 | 7/2013 |
| EM | 001378012-0002 | 7/2013 |
| EM | 001378012-0003 | 7/2013 |
| EM | 001378012-0004 | 7/2013 |
| EM | 001378012-0005 | 7/2013 |
| EM | 001378012-0006 | 7/2013 |
| EM | 001378012-0007 | 7/2013 |
| EM | 001378012-0008 | 7/2013 |
| EM | 001378012-0009 | 7/2013 |

* cited by examiner

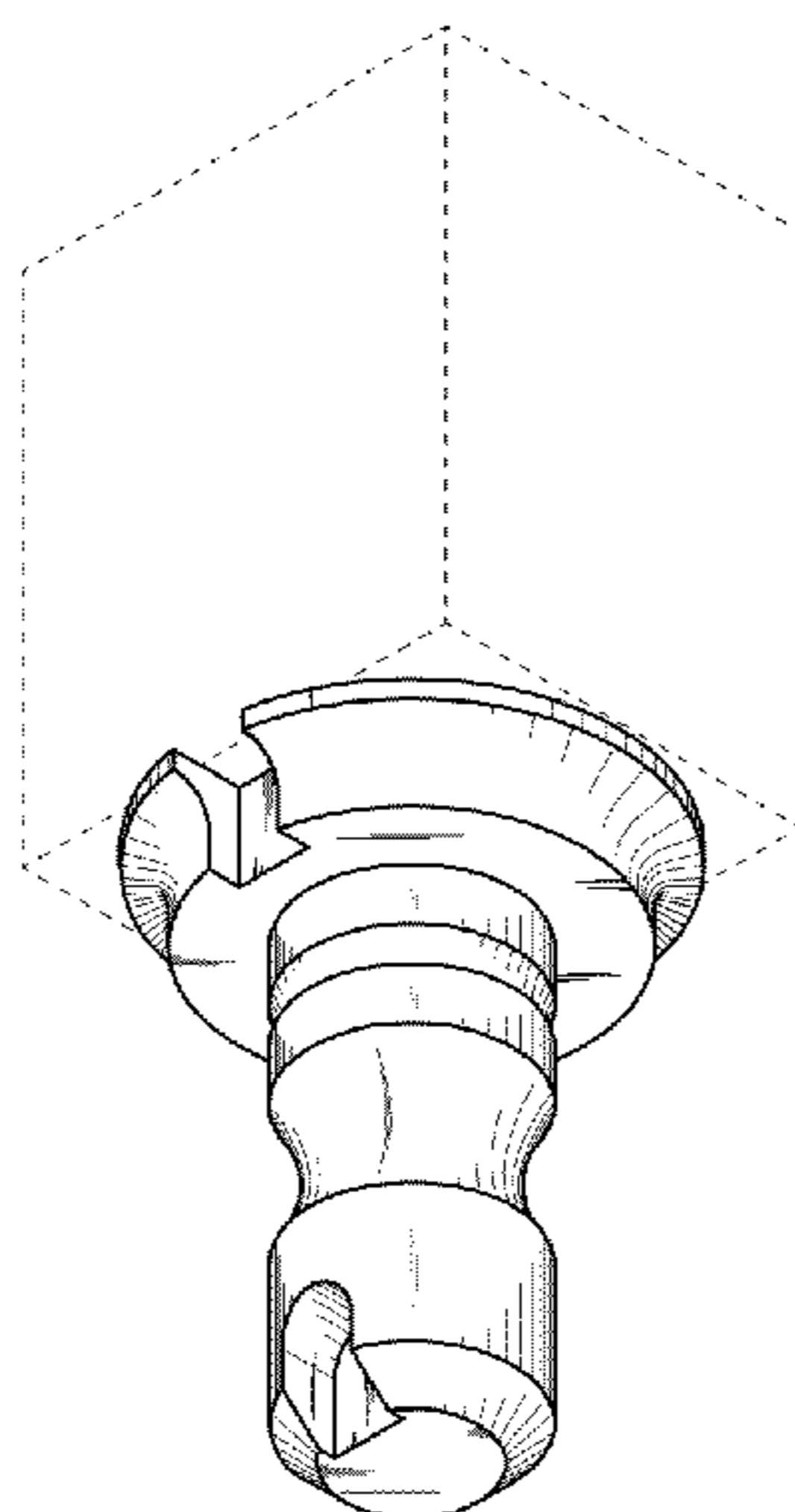
Primary Examiner — Wan Laymon
(74) *Attorney, Agent, or Firm* — The Webb Law Firm

(57) **CLAIM**
The ornamental design for a holder for dental resin, as shown and described.

DESCRIPTION

FIG. 1 is a perspective view of a holder for dental resin, showing my new design;
FIG. 2 is a front view thereof;
FIG. 3 is a rear view thereof;
FIG. 4 is a top view thereof;
FIG. 5 is a bottom view thereof;
FIG. 6 is a right side view thereof; and,
FIG. 7 is a cross-sectional view thereof taken along lines 7-7 shown in FIG. 2.
A left side view of the holder for dental resin is omitted as it is symmetric in appearance to the right side view of FIG. 6. The broken line showings of FIGS. 1-7 are environmental only and not part of the claimed design.

1 Claim, 4 Drawing Sheets



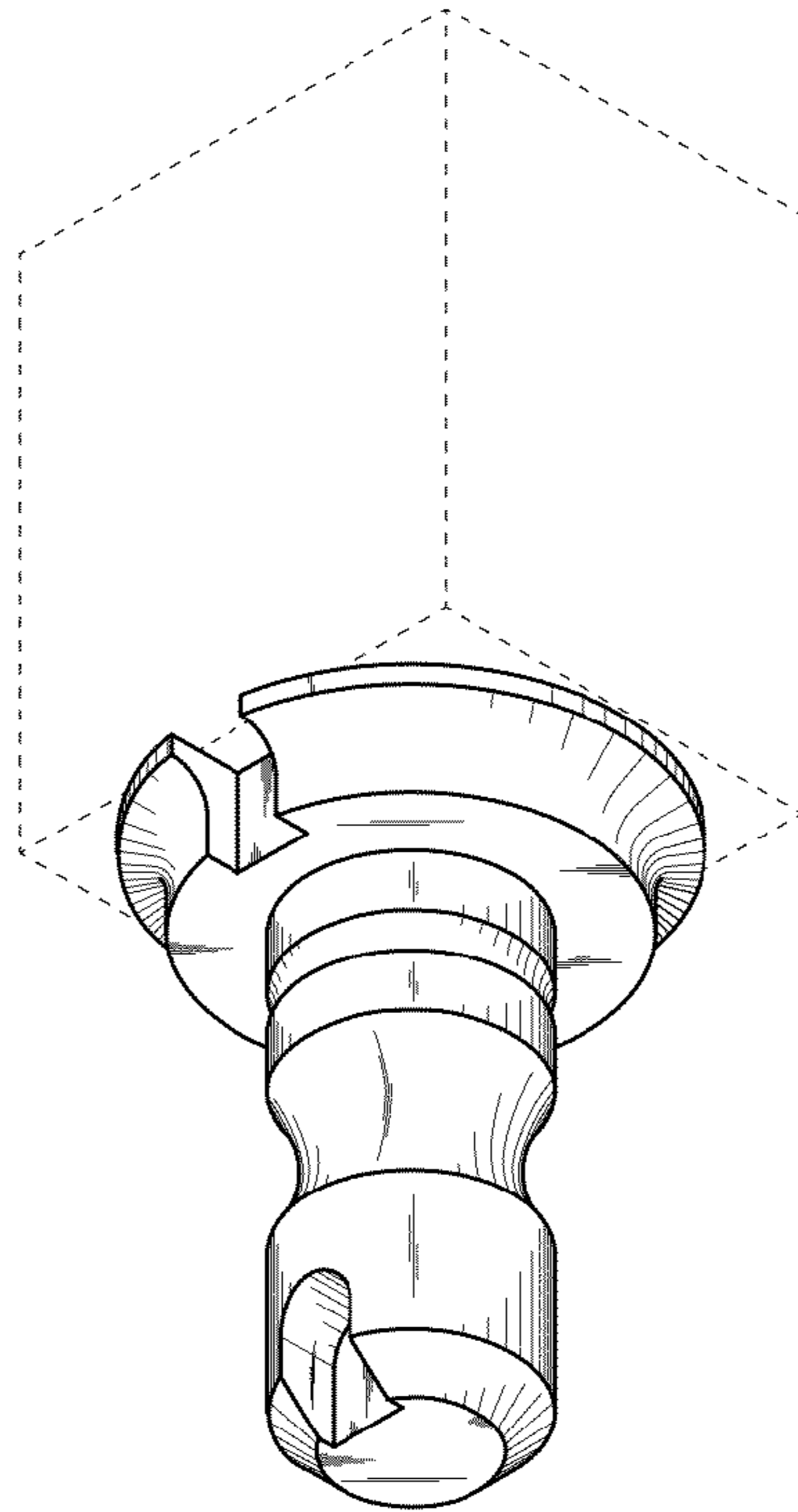


FIG. 1

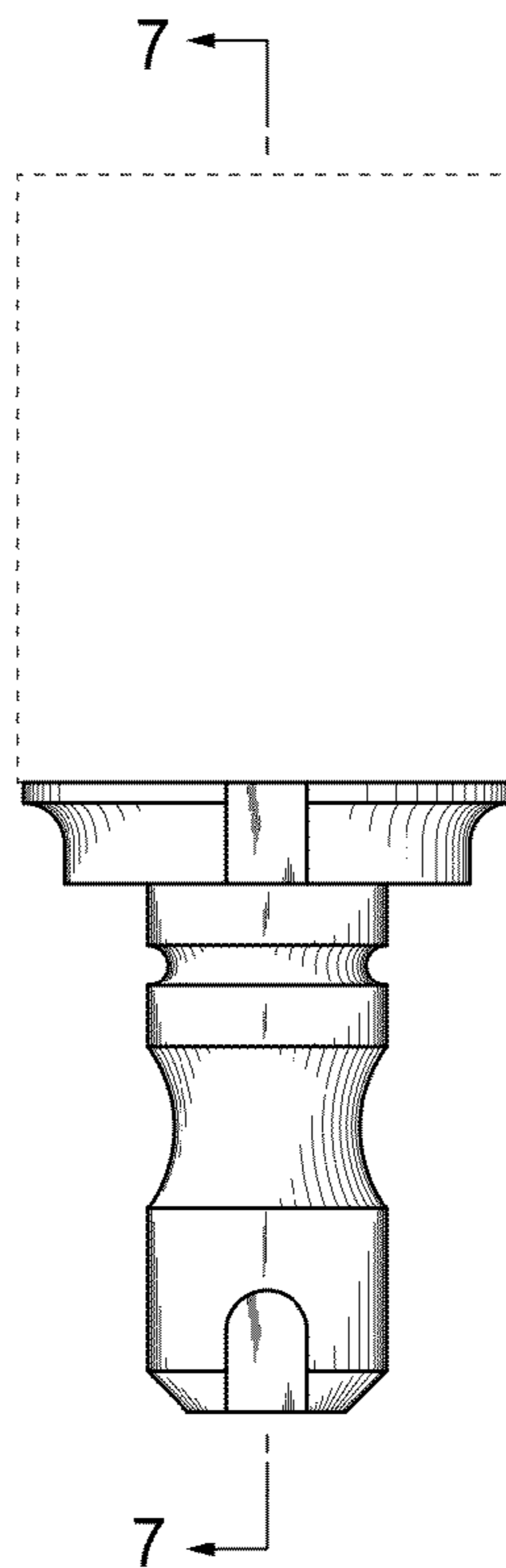


FIG. 2

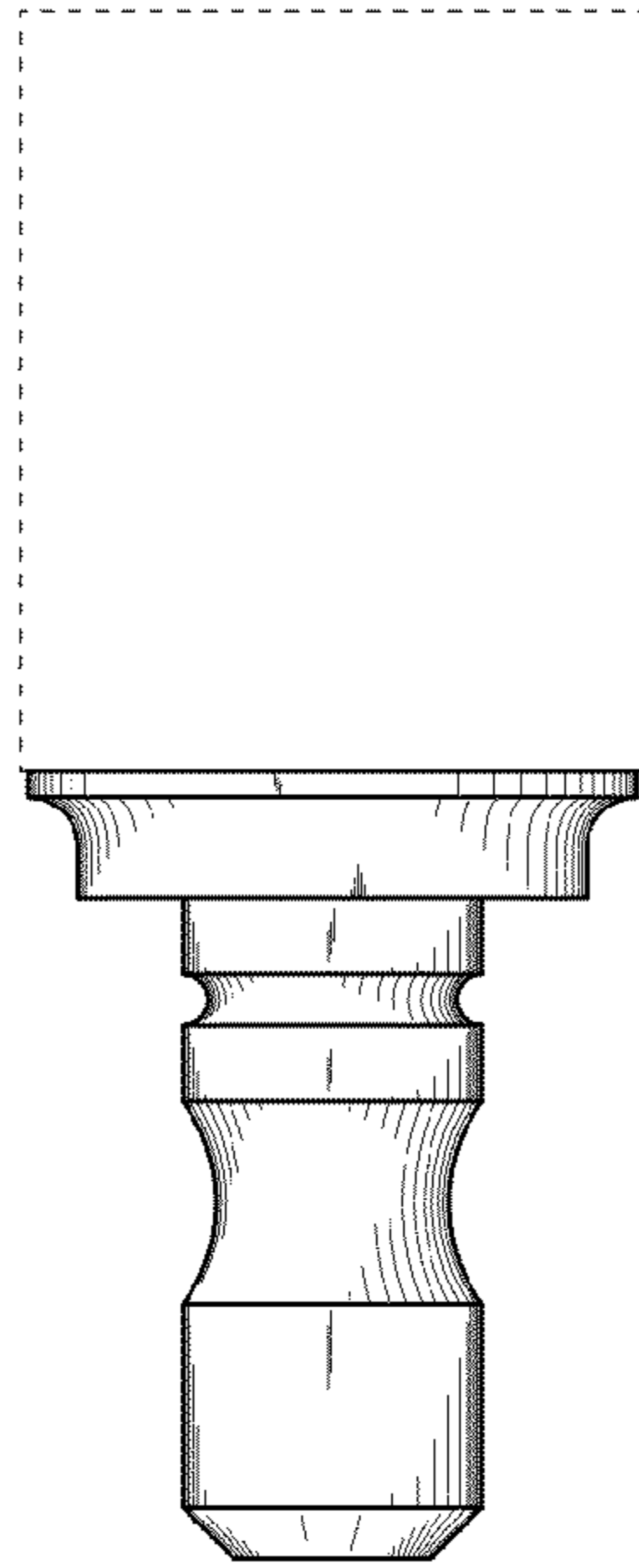


FIG. 3

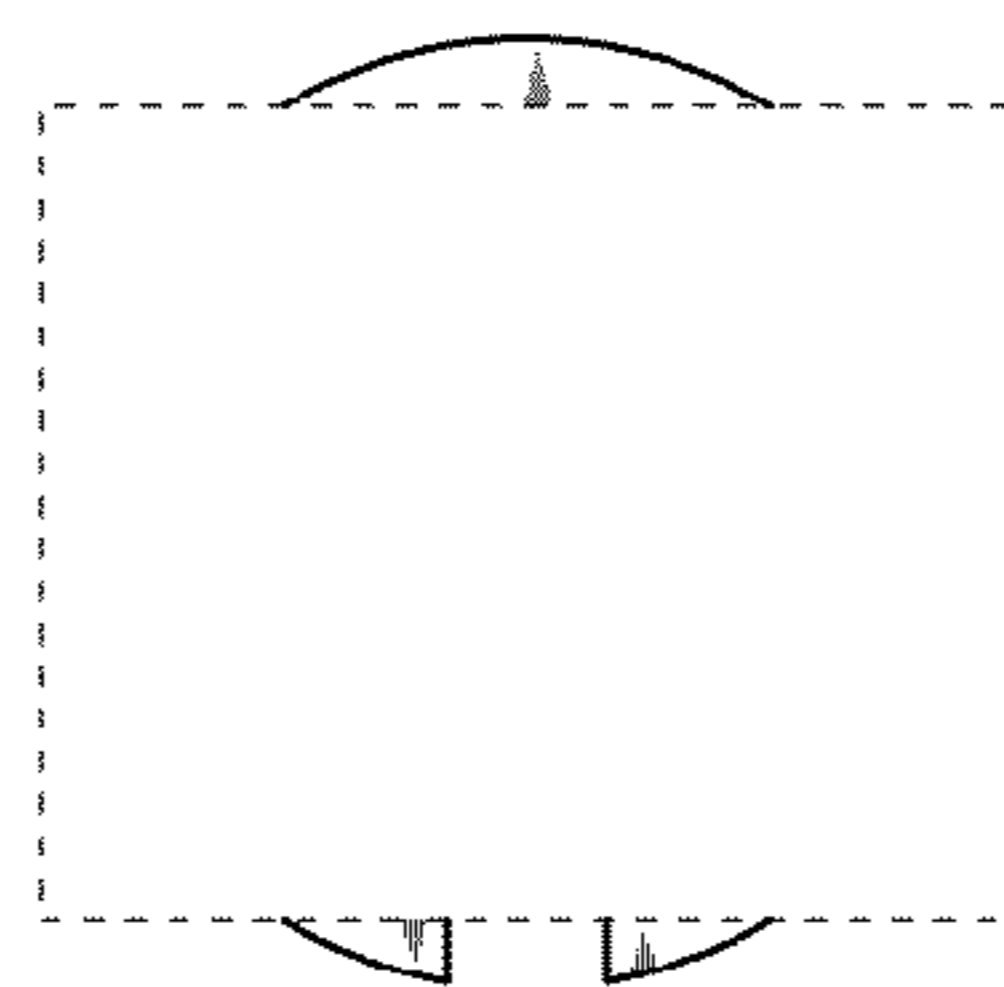


FIG. 4

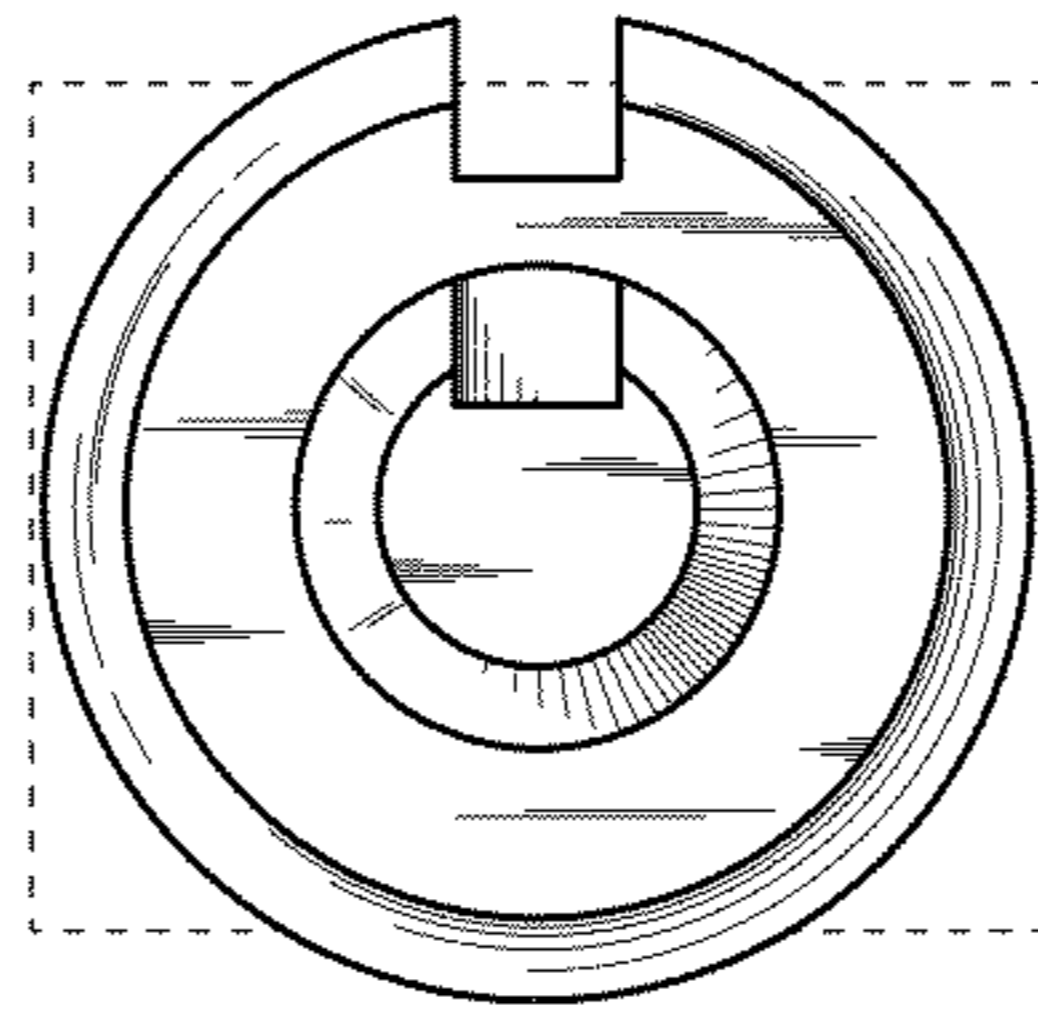


FIG. 5

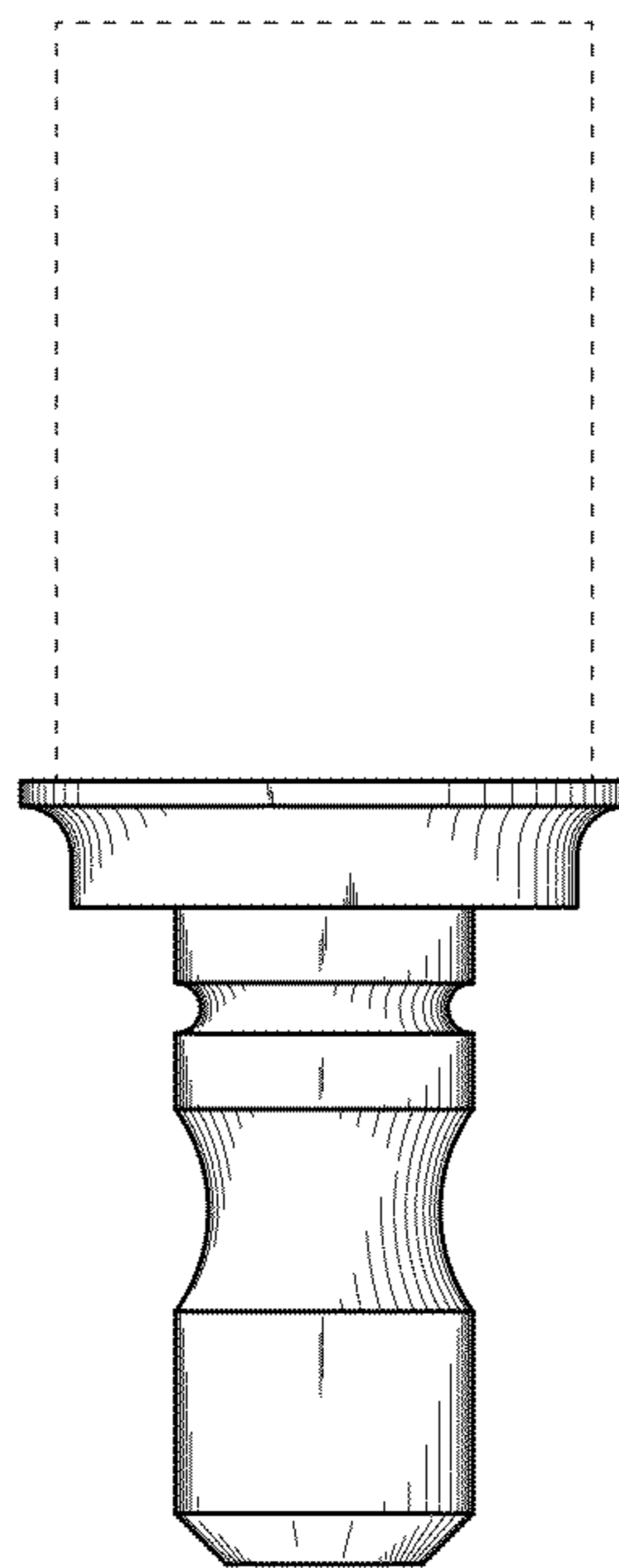


FIG. 6

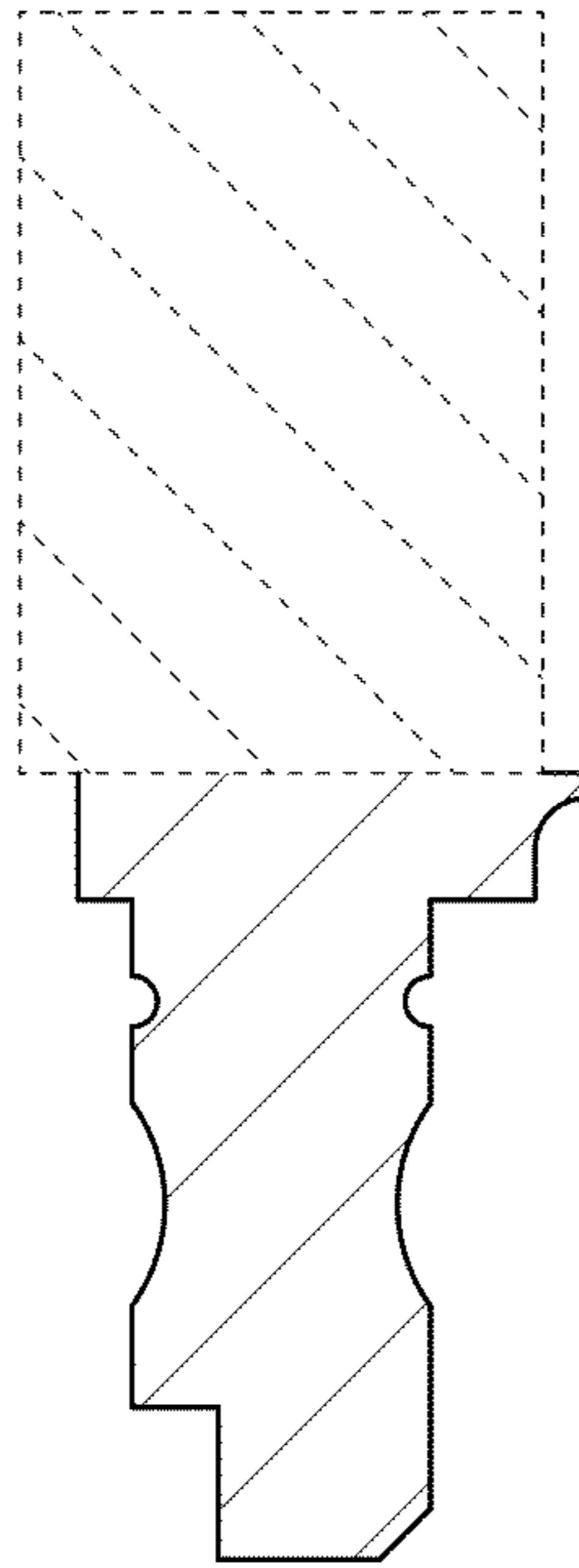


FIG. 7