



US00D754859S

(12) **United States Design Patent**
Gonsalves et al.

(10) **Patent No.:** **US D754,859 S**
(45) **Date of Patent:** **** Apr. 26, 2016**

(54) **BLOOD PROCESSING DEVICE**

(56) **References Cited**

(71) Applicant: **Haemonetics Corporation**, Braintree (MA)
(72) Inventors: **Robert Gonsalves**, Carver, MA (US);
Gary Stacey, Marshfield, MA (US);
Robert Lancelot, Cohasset, MA (US);
Ebenezer Y. Degbor, Norton, MA (US);
Paul McGovern, Hanson, MA (US);
Jessica Connolly, Quincy, MA (US);
André Buechner, Plymouth, MA (US);
Edward Kaleskas, North Falmouth, MA (US);
Howard Sumner, Bedford, MA (US);
Gary F. Prokop, Wheaton, IL (US);
Daniel R. Johnson, Hickory Hills, IL (US);
Christopher Newell, Braintree, MA (US)
(73) Assignee: **Haemonetics Corporation**, Braintree, MA (US)

U.S. PATENT DOCUMENTS

D341,890	S	*	11/1993	Sievert et al.	D24/169
5,311,908	A		5/1994	Barone et al.	137/881
5,494,592	A		2/1996	Latham, Jr. et al.	210/805
D381,748	S	*	7/1997	Matsuda et al.	D24/169
5,769,811	A	*	6/1998	Stacey et al.	604/407
D406,894	S	*	3/1999	Menhennett et al.	D24/169
6,113,554	A		9/2000	Gilcher et al.	600/573
D632,792	S	*	2/2011	Cameron et al.	D24/169
D679,409	S	*	4/2013	Johnson et al.	D24/219
2005/0059540	A1	*	3/2005	Skinkle	A61M 1/3696 494/48

* cited by examiner

Primary Examiner — Anhdao Doan

(74) *Attorney, Agent, or Firm* — Sunstein Kann Murphy & Timbers LLP

(57) **CLAIM**

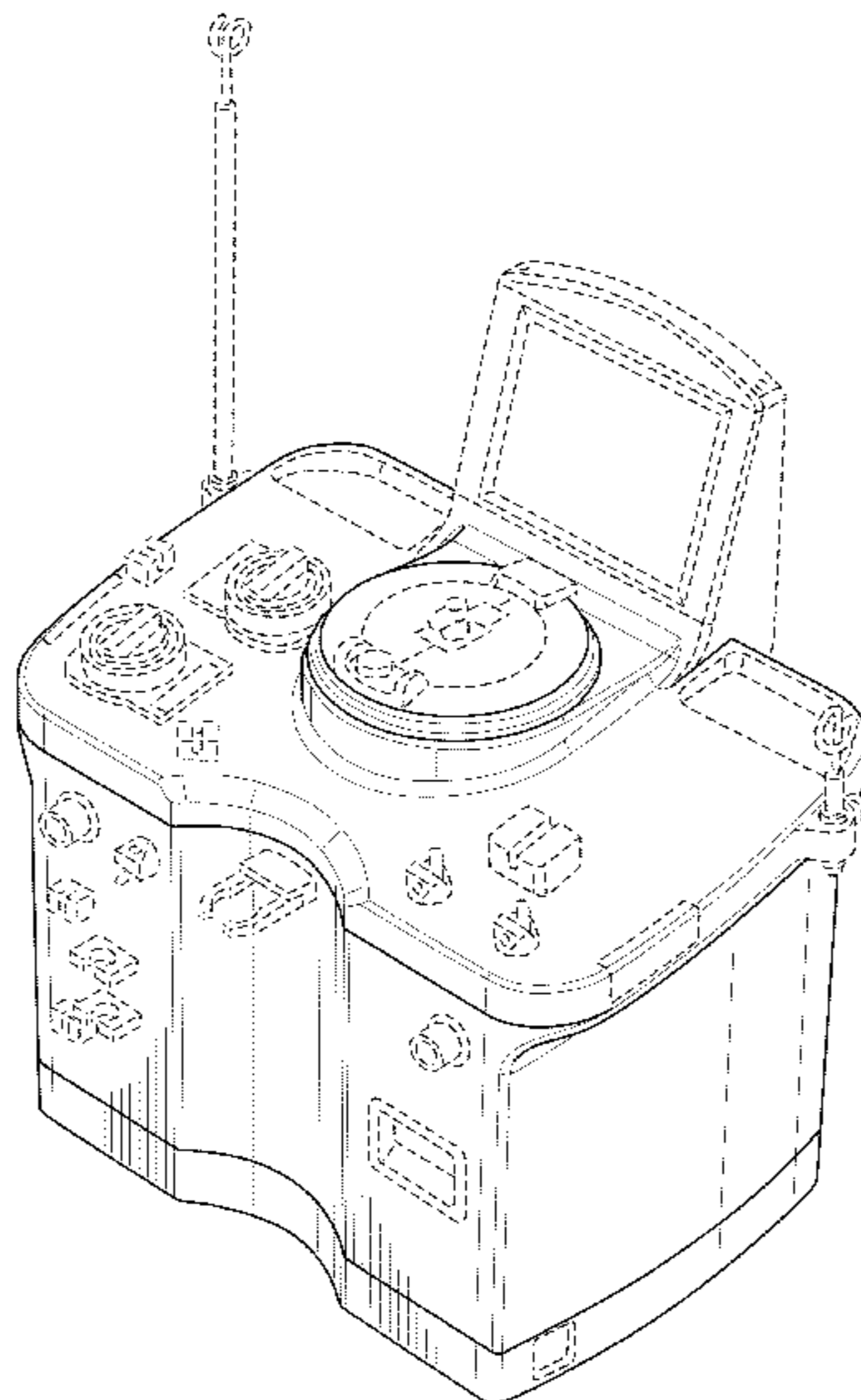
The ornamental design for a blood processing device, as shown and described.

DESCRIPTION

FIG. 1 is a perspective view of a blood processing device showing our design;
FIG. 2 is a front view of the blood processing device of FIG. 1;
FIG. 3 is a right side view of the blood processing device of FIG. 1;
FIG. 4 is a rear view of the blood processing device of FIG. 1;
FIG. 5 is a left side view of the blood processing device of FIG. 1;
FIG. 6 is a top plan view of the blood processing device of FIG. 1; and,
FIG. 7 is a bottom plan view of the blood processing device of FIG. 1.
The broken lines in the drawing views are included for the purpose of illustrating portions of the blood processing device that form no part of the claimed design.

(**) Term: **14 Years**
(21) Appl. No.: **29/491,774**
(22) Filed: **May 23, 2014**
(51) **LOC (10) Cl.** **24-01**
(52) **U.S. Cl.**
USPC **D24/169; D24/216**
(58) **Field of Classification Search**
USPC D24/169, 186, 107, 108, 111, 216, 219,
D24/232; 604/27, 29, 131, 132, 140, 141,
604/146; 422/534; 435/308.1, 287.1, 297.2,
435/286.5, 287.3
CPC ... A61M 1/36; A61M 1/3601; A61M 7/3696;
A61M 2205/3306; A61M 2205/6018
See application file for complete search history.

1 Claim, 7 Drawing Sheets



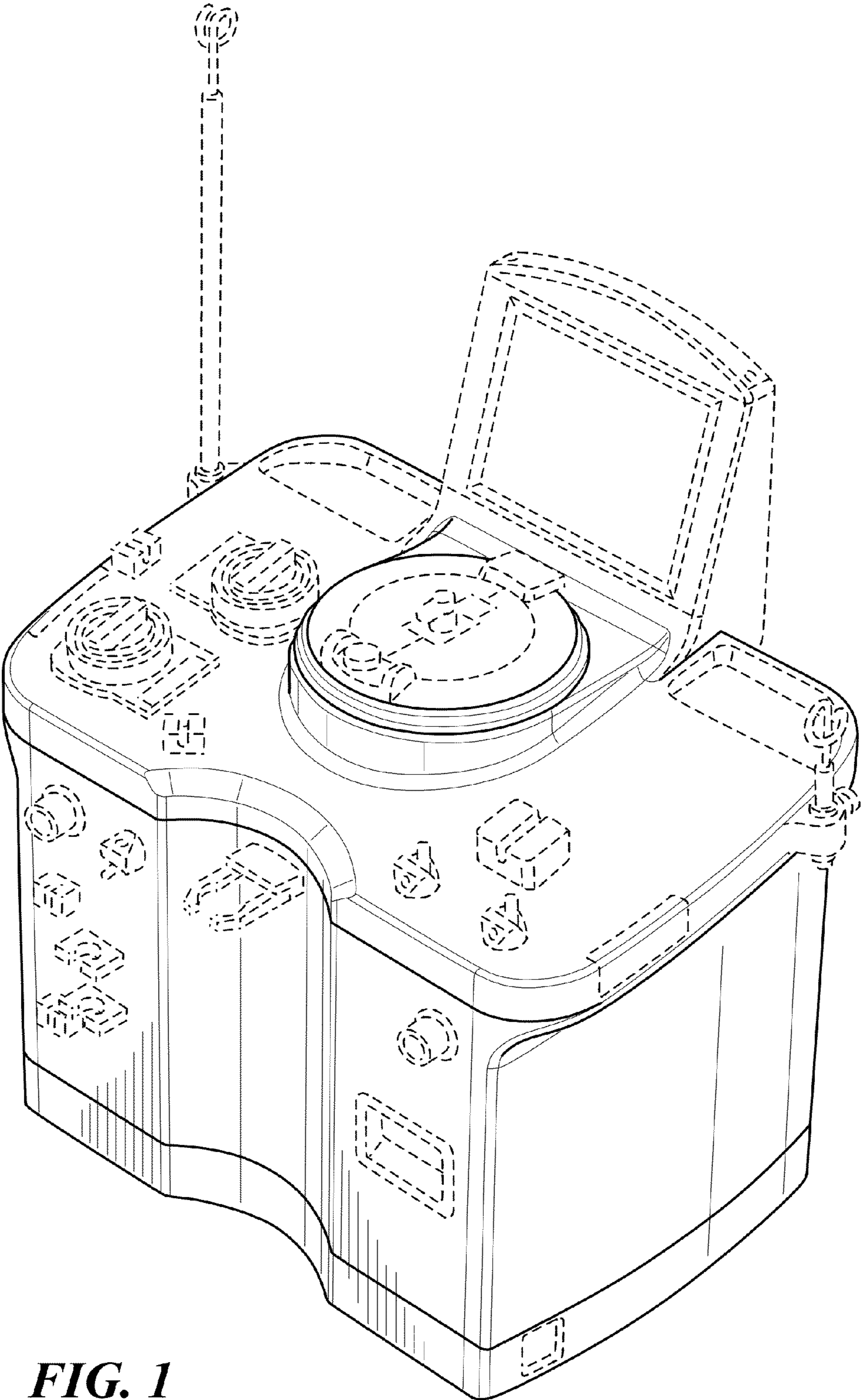


FIG. 1

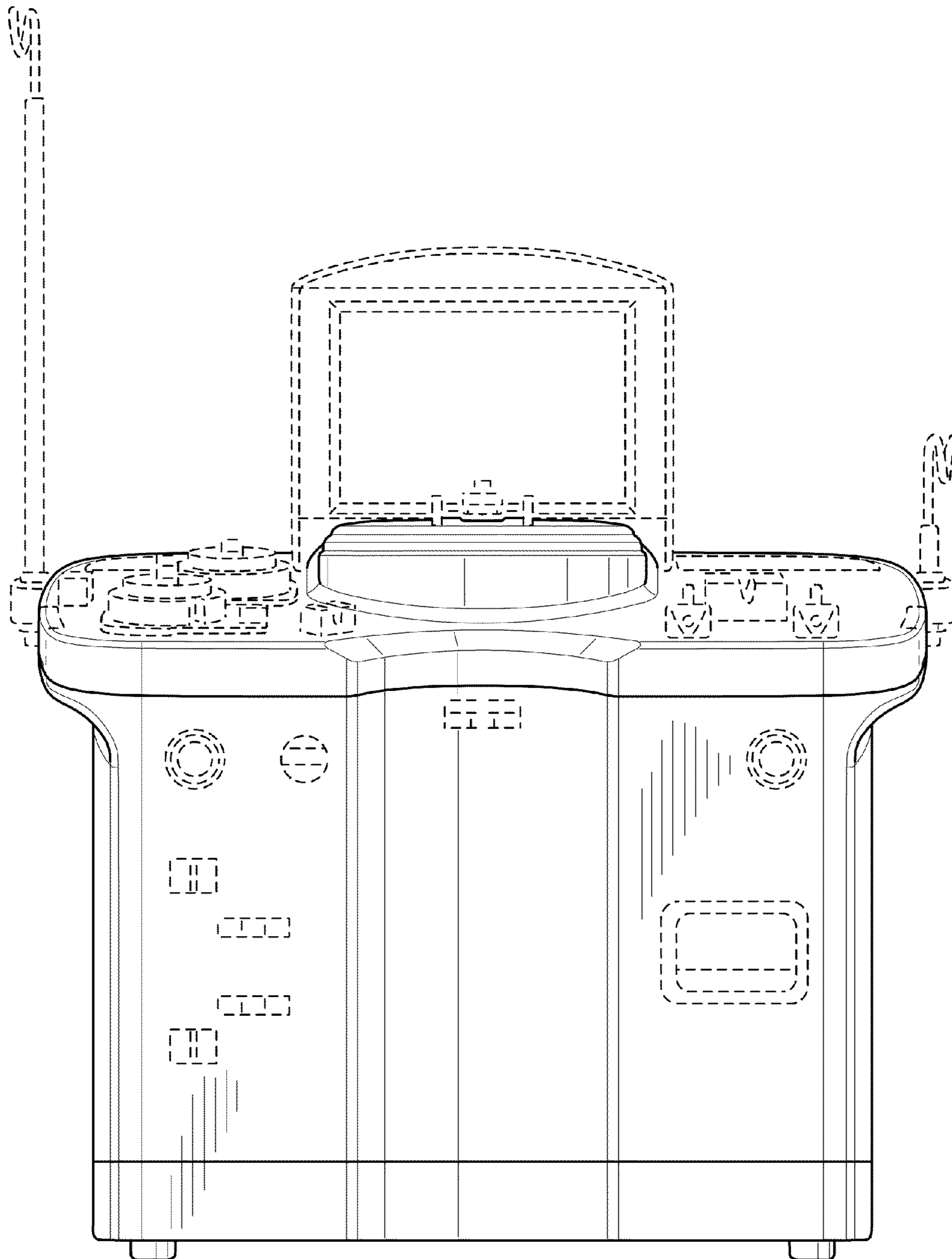


FIG. 2

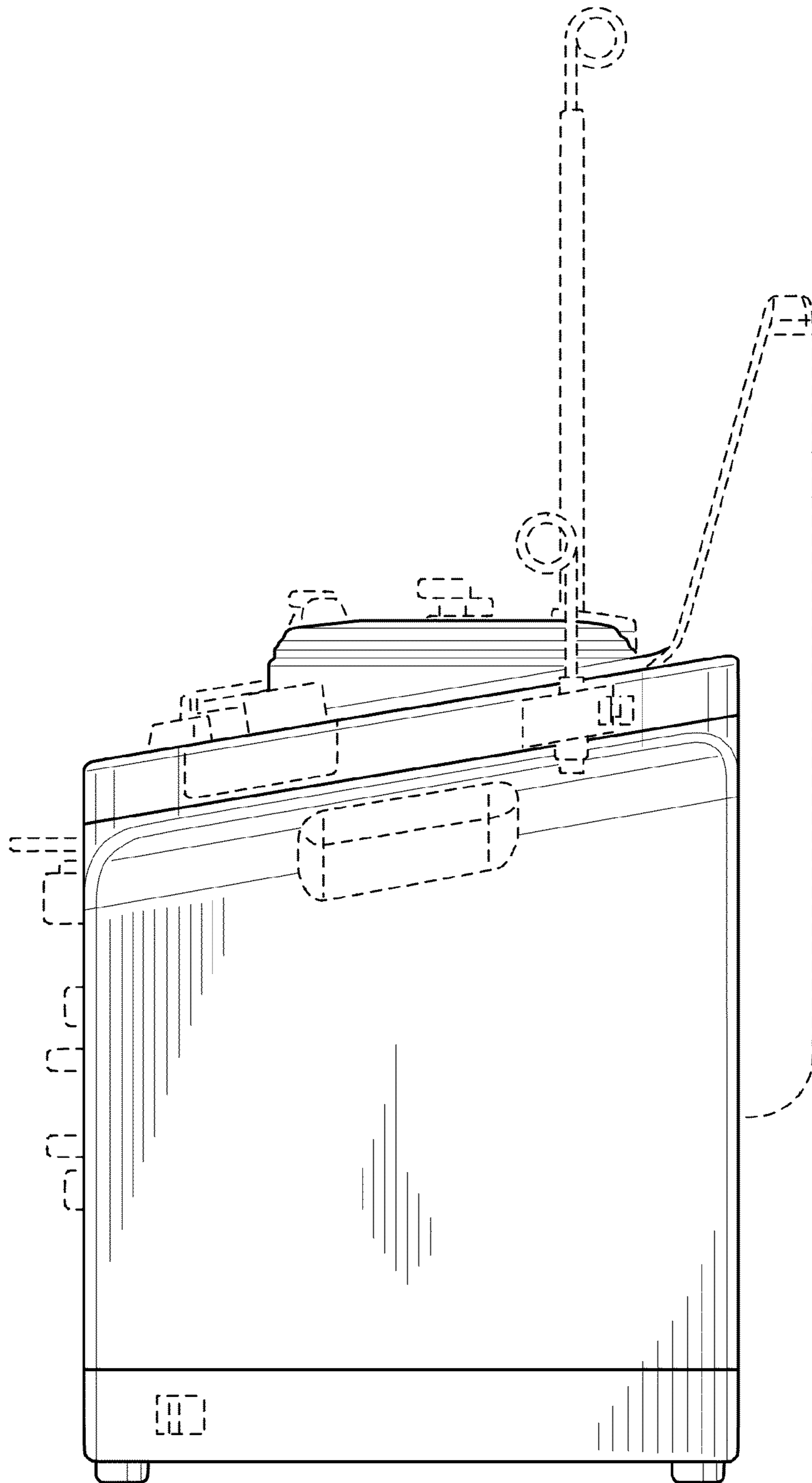


FIG. 3

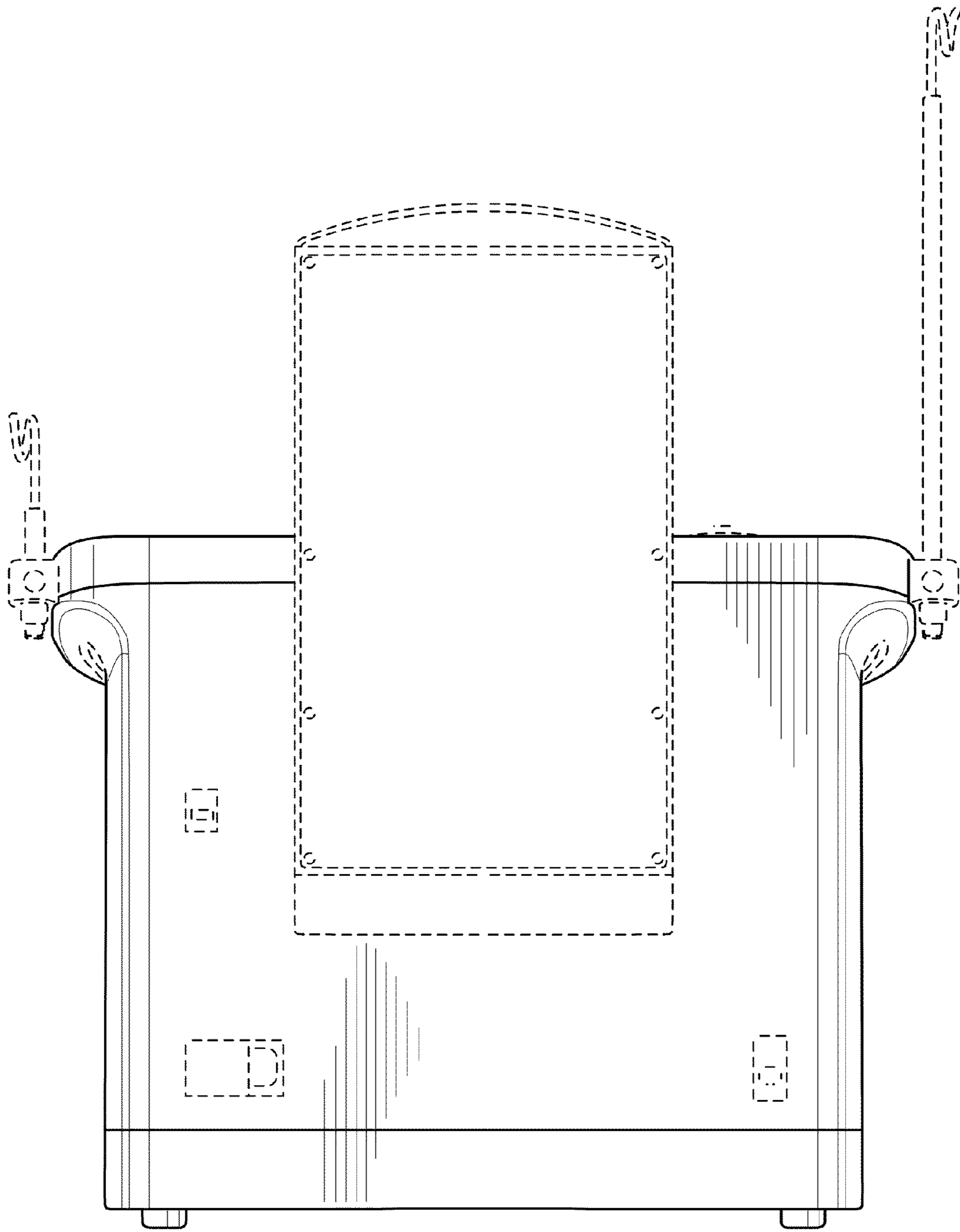


FIG. 4

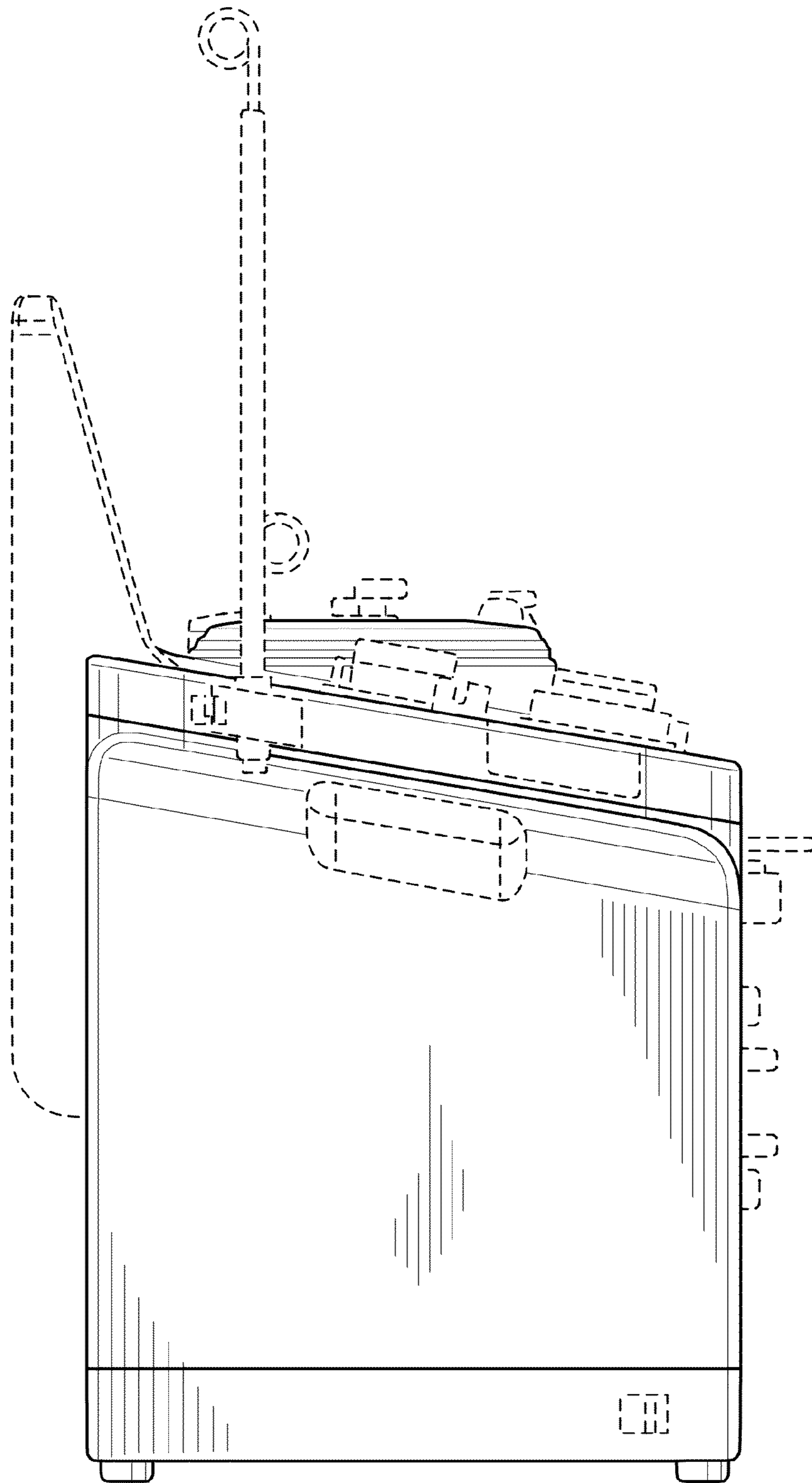


FIG. 5

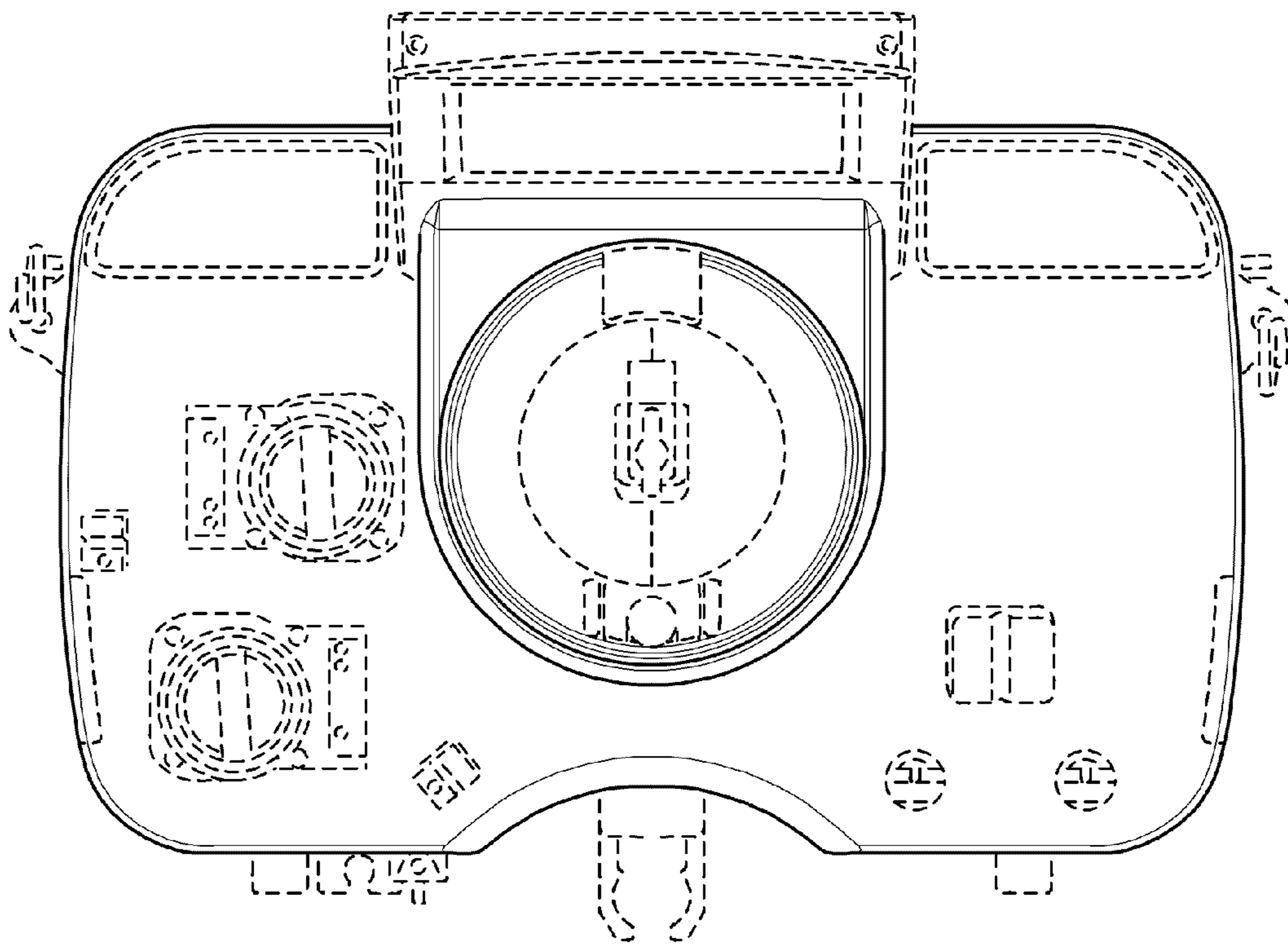


FIG. 6

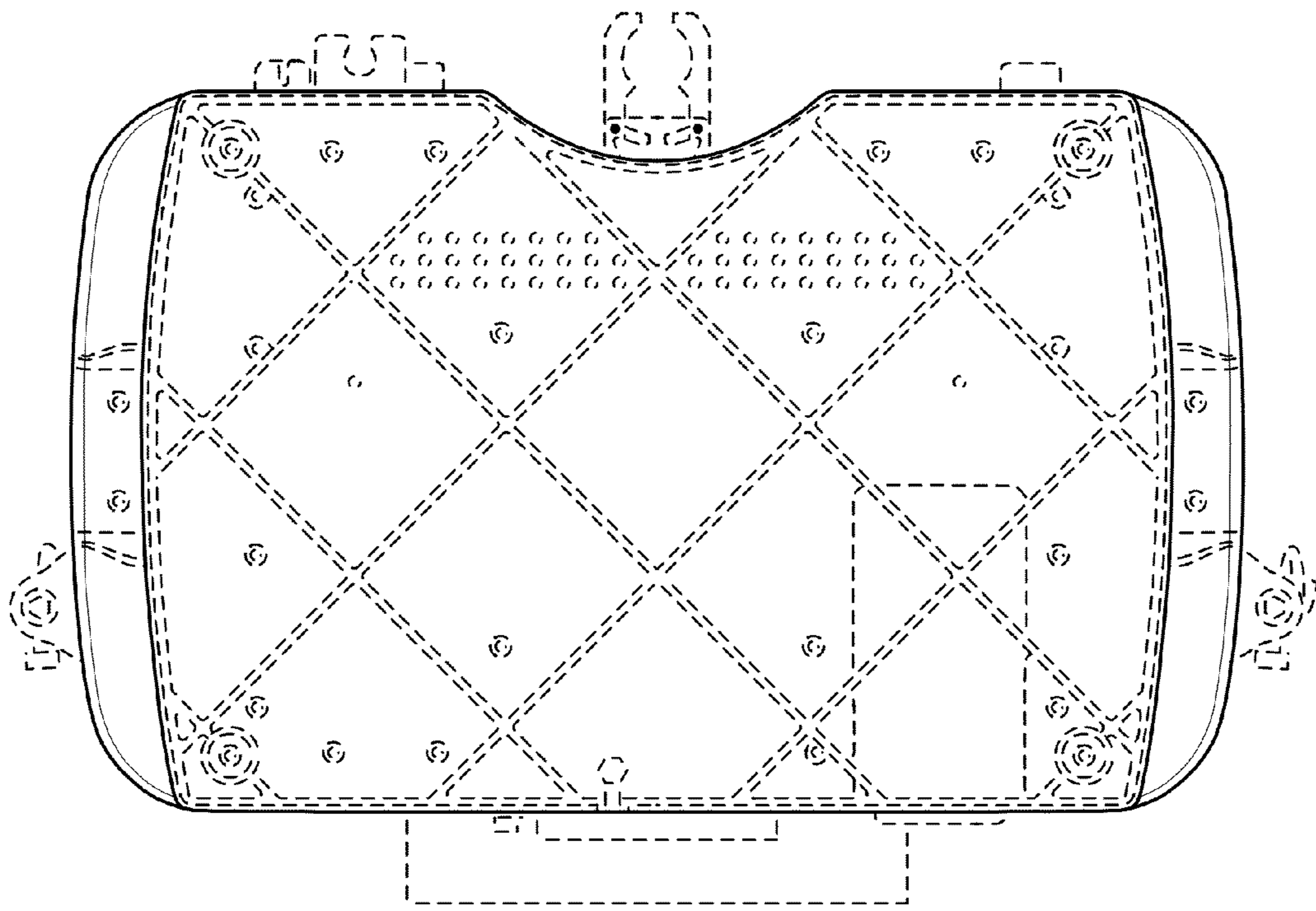


FIG. 7