



US00D754857S

(12) **United States Design Patent**  
**Grant et al.**

(10) **Patent No.:** **US D754,857 S**  
(45) **Date of Patent:** **\*\* Apr. 26, 2016**

- (54) **BONE PLATE** 5,108,395 A 4/1992 Laurain
- 5,129,903 A 7/1992 Luhr
- (71) Applicant: **NuVasive, Inc.**, San Diego, CA (US) 5,261,910 A 11/1993 Warden
- 5,534,027 A 7/1996 Hodorek
- (72) Inventors: **Chad Grant**, Escondido, CA (US); **Eric Dasso**, Carlsbad, CA (US); **Robert German**, San Diego, CA (US); **Richard Mueller**, Chapel Hill, NC (US); **Ryan Donahoe**, San Diego, CA (US) 5,534,032 A 7/1996 Hodorek
- 5,549,612 A 8/1996 Yapp
- 5,603,713 A 2/1997 Aust
- 5,607,426 A 3/1997 Ralph
- 5,616,142 A 4/1997 Yuan
- 5,616,144 A 4/1997 Yapp
- (73) Assignee: **NuVasive, Inc.**, San Diego, CA (US) 5,634,926 A 6/1997 Jobe
- 5,728,099 A 3/1998 Tellman
- (\*\*) Term: **14 Years** 5,735,853 A 4/1998 Olerud
- 5,800,433 A 9/1998 Benzel
- (21) Appl. No.: **29/446,441** 5,827,286 A 10/1998 Incavo
- 5,902,303 A 5/1999 Eckhof
- (22) Filed: **Feb. 22, 2013** 5,902,304 A 5/1999 Walker
- 5,954,722 A 9/1999 Bono
- 5,964,762 A 10/1999 Biedermann
- 6,017,345 A 1/2000 Richelsoph

(Continued)

**Related U.S. Application Data**

- (63) Continuation of application No. 12/579,394, filed on Oct. 14, 2009, now abandoned.
- (51) **LOC (10) Cl.** ..... **24-02**
- (52) **U.S. Cl.**  
USPC ..... **D24/155**
- (58) **Field of Classification Search**  
USPC ..... D24/155-157; 606/60, 61, 73, 95, 213, 606/65, 67, 288, 902, 246, 248, 249; 623/17.11, 17.12, 17.13, 17.14, 17.15, 623/17.16, 23.61, 23.56, 247, 213; D15/143, 139  
See application file for complete search history.

**FOREIGN PATENT DOCUMENTS**

- CH 672245 A5 11/1989
- EP 0293411 12/1988

(Continued)

*Primary Examiner* — Susan Hattan  
*Assistant Examiner* — Charles Hanson  
(74) *Attorney, Agent, or Firm* — Jennifer Russell

(57) **CLAIM**

The ornamental design for a bone plate, substantially as shown and described.

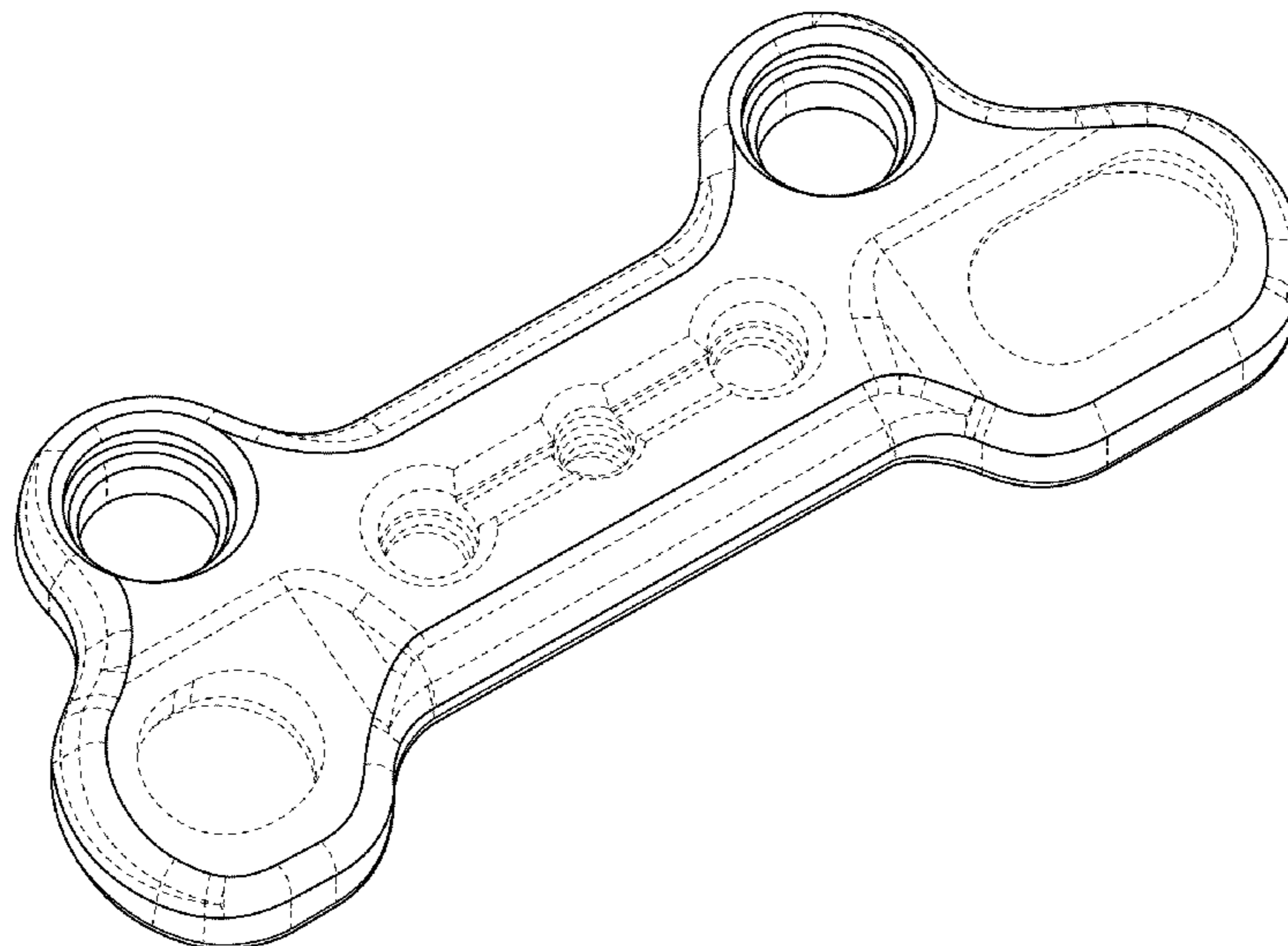
**DESCRIPTION**

FIG. 1 is a perspective view of a bone plate showing our new design; and,  
FIG. 2 is a bottom view thereof.  
The broken line showing is included for the purpose of illustrating environment and forms no part of the claimed design.

**1 Claim, 1 Drawing Sheet**

(56) **References Cited**  
**U.S. PATENT DOCUMENTS**

- 2,406,832 A 9/1946 Hardinge
- 2,486,303 A 10/1949 Longfellow
- 2,922,456 A 1/1960 Kann
- 4,388,921 A 6/1983 Sutter
- 4,484,570 A 11/1984 Sutter
- 5,057,111 A 10/1991 Park



(56)

References Cited

U.S. PATENT DOCUMENTS

|           |      |         |               |               |              |    |         |              |
|-----------|------|---------|---------------|---------------|--------------|----|---------|--------------|
| 6,030,389 | A    | 2/2000  | Wagner        |               | D674,092     | S  | 1/2013  | Lovell       |
| 6,039,740 | A    | 3/2000  | Olerud        |               | D675,320     | S  | 1/2013  | Oi           |
| 6,117,173 | A    | 9/2000  | Taddia        |               | 8,348,949    | B2 | 1/2013  | Butler       |
| 6,159,213 | A    | 12/2000 | Rogozinski    |               | 8,394,130    | B2 | 3/2013  | Orbay        |
| 6,183,476 | B1   | 2/2001  | Gerhardt      |               | 8,500,783    | B2 | 8/2013  | Baynham      |
| 6,228,085 | B1   | 5/2001  | Theken        |               | 8,506,607    | B2 | 8/2013  | Eckhof       |
| 6,235,033 | B1   | 5/2001  | Brace         |               | D696,402     | S  | 12/2013 | Oi           |
| 6,241,731 | B1   | 6/2001  | Fiz           |               | 8,636,738    | B2 | 1/2014  | McClintock   |
| 6,258,089 | B1   | 7/2001  | Campbell      |               | 8,728,127    | B2 | 5/2014  | Stewart      |
| 6,261,291 | B1   | 7/2001  | Talaber       |               | 8,758,347    | B2 | 6/2014  | Weiner       |
| 6,273,889 | B1   | 8/2001  | Richelsoph    |               | D708,747     | S  | 7/2014  | Curran       |
| 6,280,445 | B1   | 8/2001  | Johnson       |               | 8,784,419    | B2 | 7/2014  | Overes       |
| D449,692  | S *  | 10/2001 | Michelson     | ..... D24/155 | D711,537     | S  | 8/2014  | Pimenta      |
| 6,302,883 | B1   | 10/2001 | Bono          |               | 8,915,918    | B2 | 12/2014 | Graham       |
| 6,306,136 | B1   | 10/2001 | Bacelli       |               | D721,808     | S  | 1/2015  | Oi           |
| 6,309,393 | B1   | 10/2001 | Tepic         |               | 2001/0014807 | A1 | 8/2001  | Wagner       |
| 6,331,179 | B1   | 12/2001 | Freid         |               | 2001/0021851 | A1 | 9/2001  | Eberlein     |
| 6,355,038 | B1   | 3/2002  | Pisharodi     |               | 2002/0045898 | A1 | 4/2002  | Freid        |
| 6,383,186 | B1   | 5/2002  | Michelson     |               | 2002/0058939 | A1 | 5/2002  | Wagner       |
| 6,402,756 | B1   | 6/2002  | Ralph         |               | 2002/0147450 | A1 | 10/2002 | LeHuec       |
| 6,428,542 | B1   | 8/2002  | Michelson     |               | 2002/0151899 | A1 | 10/2002 | Bailey       |
| 6,454,769 | B2   | 9/2002  | Wagner        |               | 2002/0156474 | A1 | 10/2002 | Wack         |
| 6,533,786 | B1   | 3/2003  | Needham       |               | 2003/0078583 | A1 | 4/2003  | Biedermann   |
| 6,575,975 | B2   | 6/2003  | Brace         |               | 2003/0083658 | A1 | 5/2003  | Hawkes       |
| 6,592,586 | B1   | 7/2003  | Michelson     |               | 2003/0093082 | A1 | 5/2003  | Campbell     |
| 6,626,907 | B2   | 9/2003  | Campbell      |               | 2003/0135216 | A1 | 7/2003  | Sevrain      |
| 6,645,208 | B2   | 11/2003 | Apfelbaum     |               | 2003/0153919 | A1 | 8/2003  | Harris       |
| 6,689,134 | B2   | 2/2004  | Ralph         |               | 2003/0187440 | A1 | 10/2003 | Richelsoph   |
| D493,533  | S    | 7/2004  | Blain         |               | 2003/0187442 | A1 | 10/2003 | Richelsoph   |
| 6,793,658 | B2   | 9/2004  | LeHuec        |               | 2003/0187443 | A1 | 10/2003 | Laurysen     |
| 6,884,242 | B2   | 4/2005  | LeHuec        |               | 2003/0208204 | A1 | 11/2003 | Bailey       |
| 6,969,390 | B2   | 11/2005 | Michelson     |               | 2003/0229348 | A1 | 12/2003 | Sevrain      |
| 7,001,389 | B1   | 2/2006  | Navarro       |               | 2004/0019353 | A1 | 1/2004  | Freid        |
| 7,041,105 | B2   | 5/2006  | Michelson     |               | 2004/0030340 | A1 | 2/2004  | Pisharodi    |
| 7,044,952 | B2   | 5/2006  | Michelson     |               | 2004/0073218 | A1 | 4/2004  | Dahners      |
| 7,094,238 | B2   | 8/2006  | Morrison      |               | 2004/0087951 | A1 | 5/2004  | Khalili      |
| 7,097,645 | B2   | 8/2006  | Michelson     |               | 2004/0097935 | A1 | 5/2004  | Richelsoph   |
| 7,112,202 | B2   | 9/2006  | Michelson     |               | 2004/0106924 | A1 | 6/2004  | Ralph        |
| D530,423  | S    | 10/2006 | Miles         |               | 2004/0127896 | A1 | 7/2004  | Lombardo     |
| 7,118,573 | B2   | 10/2006 | Michelson     |               | 2004/0127899 | A1 | 7/2004  | Konieczynski |
| 7,135,024 | B2   | 11/2006 | Cook          |               | 2004/0127900 | A1 | 7/2004  | Konieczynski |
| 7,137,984 | B2   | 11/2006 | Michelson     |               | 2004/0127904 | A1 | 7/2004  | Konieczynski |
| 7,175,624 | B2   | 2/2007  | Konieczynski  |               | 2004/0153078 | A1 | 8/2004  | Grinberg     |
| 7,186,254 | B2   | 3/2007  | Dinh          |               | 2004/0158250 | A1 | 8/2004  | Chappuis     |
| 7,214,226 | B2   | 5/2007  | Alleyne       |               | 2004/0167521 | A1 | 8/2004  | De Windt     |
| 7,220,263 | B2 * | 5/2007  | Cordaro       | ..... 606/70  | 2004/0186570 | A1 | 9/2004  | Rapp         |
| 7,229,443 | B2   | 6/2007  | Eberlein      |               | 2004/0210223 | A1 | 10/2004 | Pisharodi    |
| 7,232,670 | B2   | 6/2007  | D'Azzo        |               | 2004/0236333 | A1 | 11/2004 | Lin          |
| 7,309,340 | B2   | 12/2007 | Fallin        |               | 2004/0245479 | A1 | 12/2004 | Misawa       |
| 7,318,825 | B2   | 1/2008  | Butler        |               | 2004/0260292 | A1 | 12/2004 | Orbay        |
| 7,326,212 | B2   | 2/2008  | Huebner       |               | 2004/0260293 | A1 | 12/2004 | Orbay        |
| 7,331,961 | B2   | 2/2008  | Abdou         |               | 2004/0260294 | A1 | 12/2004 | Orbay        |
| D594,986  | S    | 6/2009  | Miles         |               | 2004/0260295 | A1 | 12/2004 | Orbay        |
| D599,019  | S    | 8/2009  | Pimenta       |               | 2004/0260306 | A1 | 12/2004 | Fallin       |
| D603,504  | S *  | 11/2009 | Kriska et al. | ..... D24/155 | 2005/0010227 | A1 | 1/2005  | Paul         |
| D603,506  | S *  | 11/2009 | Kriska et al. | ..... D24/155 | 2005/0015092 | A1 | 1/2005  | Rathbun      |
| D603,507  | S *  | 11/2009 | Kriska et al. | ..... D24/155 | 2005/0015093 | A1 | 1/2005  | Suh          |
| D603,961  | S *  | 11/2009 | Kriska et al. | ..... D24/155 | 2005/0015131 | A1 | 1/2005  | Fourcault    |
| 7,621,914 | B2   | 11/2009 | Ralph         |               | 2005/0027293 | A1 | 2/2005  | LeHuec       |
| 7,635,364 | B2   | 12/2009 | Barrall       |               | 2005/0033298 | A1 | 2/2005  | Hawkes       |
| 7,635,366 | B2   | 12/2009 | Abdou         |               | 2005/0049593 | A1 | 3/2005  | Duong        |
| 7,637,928 | B2   | 12/2009 | Fernandez     |               | 2005/0049595 | A1 | 3/2005  | Suh          |
| 7,695,473 | B2   | 4/2010  | Ralph         |               | 2005/0059970 | A1 | 3/2005  | Kolb         |
| 7,740,630 | B2   | 6/2010  | Michelson     |               | 2005/0070904 | A1 | 3/2005  | Gerlach      |
| D621,509  | S    | 8/2010  | Lovell        |               | 2005/0107796 | A1 | 5/2005  | Gerlach      |
| 7,857,839 | B2   | 12/2010 | Duong         |               | 2005/0177160 | A1 | 8/2005  | Baynham      |
| 7,901,440 | B2   | 3/2011  | Ibrahim       |               | 2005/0177161 | A1 | 8/2005  | Baynham      |
| 7,935,123 | B2   | 5/2011  | Fanger        |               | 2005/0182404 | A1 | 8/2005  | Laurysen     |
| 7,951,151 | B2   | 5/2011  | Butler        |               | 2005/0192580 | A1 | 9/2005  | Dalton       |
| 8,002,809 | B2   | 8/2011  | Baynham       |               | 2005/0228386 | A1 | 10/2005 | Ziolo        |
| 8,083,781 | B2   | 12/2011 | Reimels       |               | 2006/0015104 | A1 | 1/2006  | Dalton       |
| 8,182,533 | B2   | 5/2012  | Perkins       |               | 2006/0100626 | A1 | 5/2006  | Rathbun      |
| 8,206,390 | B2   | 6/2012  | Lindemann     |               | 2006/0106387 | A1 | 5/2006  | Fanger       |
| 8,287,574 | B2   | 10/2012 | Biyani        |               | 2006/0122602 | A1 | 6/2006  | Konieczynski |
| D671,645  | S    | 11/2012 | Curran        |               | 2006/0122604 | A1 | 6/2006  | Gorhan       |
|           |      |         |               |               | 2006/0149249 | A1 | 7/2006  | Mathoulin    |
|           |      |         |               |               | 2006/0149251 | A1 | 7/2006  | Ziolo        |
|           |      |         |               |               | 2006/0149253 | A1 | 7/2006  | Doubler      |
|           |      |         |               |               | 2006/0149255 | A1 | 7/2006  | Doubler      |

(56)

**References Cited**

U.S. PATENT DOCUMENTS

2006/0149256 A1 7/2006 Wagner  
 2006/0235399 A1 10/2006 Carls  
 2006/0241616 A1 10/2006 Konieczynski  
 2006/0241618 A1 10/2006 Gasser  
 2006/0247639 A1 11/2006 Anderson  
 2006/0271052 A1 11/2006 Stern  
 2006/0276793 A1 12/2006 Berry  
 2006/0293669 A1 12/2006 Lindemann  
 2007/0010817 A1 1/2007 de Coninck  
 2007/0118125 A1 5/2007 Orbay  
 2007/0123879 A1 5/2007 Songer  
 2007/0162020 A1 7/2007 Gerlach  
 2007/0260244 A1 11/2007 Wolter  
 2008/0004627 A1 1/2008 Dalton  
 2008/0009870 A1 1/2008 Lombardo  
 2008/0058817 A1 3/2008 Eberlein  
 2008/0097442 A1 4/2008 Dixon  
 2008/0147124 A1 6/2008 Haidukewych  
 2008/0147125 A1 6/2008 Colleran  
 2008/0177330 A1 7/2008 Ralph  
 2008/0234680 A1 9/2008 Zaiser  
 2008/0243192 A1 10/2008 Jacene  
 2009/0012571 A1 1/2009 Perrow  
 2009/0018588 A1 1/2009 Eckhof  
 2009/0024170 A1 1/2009 Kirschman  
 2009/0036933 A1 2/2009 Dube  
 2009/0163960 A1 6/2009 Binder  
 2009/0182383 A1 7/2009 Prybyla  
 2009/0192549 A1 7/2009 Sanders

2009/0192553 A1 7/2009 Maguire  
 2009/0210014 A1 8/2009 Ziolo  
 2009/0248087 A1 10/2009 Lewis  
 2010/0042161 A1 2/2010 Worcel  
 2010/0057127 A1 3/2010 McGuire  
 2010/0063505 A1 3/2010 Frigg  
 2010/0076496 A1 3/2010 Fernandez  
 2010/0198221 A1 8/2010 Hearn  
 2012/0083846 A1 4/2012 Wallenstein  
 2012/0265203 A1 10/2012 Angelucci

FOREIGN PATENT DOCUMENTS

EP 1637085 A2 3/2006  
 FR 2790198 A1 9/2000  
 FR 2792185 A1 10/2000  
 FR 2903880 A1 1/2008  
 GB 2305483 A 4/1997  
 GB 2392096 A 2/2004  
 WO WO-8803781 6/1988  
 WO WO-9306789 4/1993  
 WO WO-9722306 6/1997  
 WO WO-0078238 12/2000  
 WO WO-2005009487 2/2005  
 WO WO-2005053550 6/2005  
 WO WO-2005060845 7/2005  
 WO WO-2006072284 7/2006  
 WO WO-2008145902 12/2008  
 WO WO-2009105066 8/2009  
 WO WO-2009148697 12/2009

\* cited by examiner

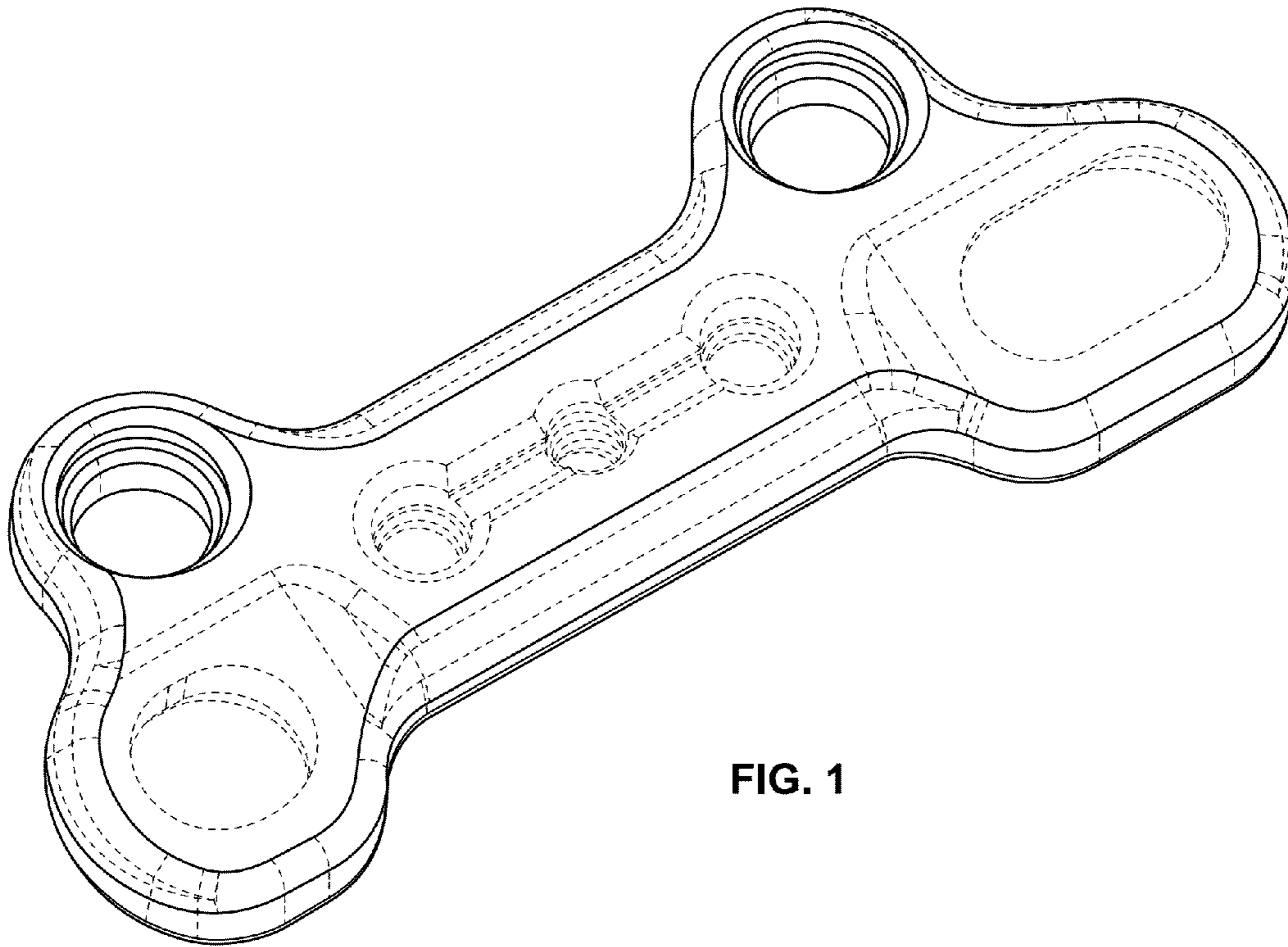


FIG. 1

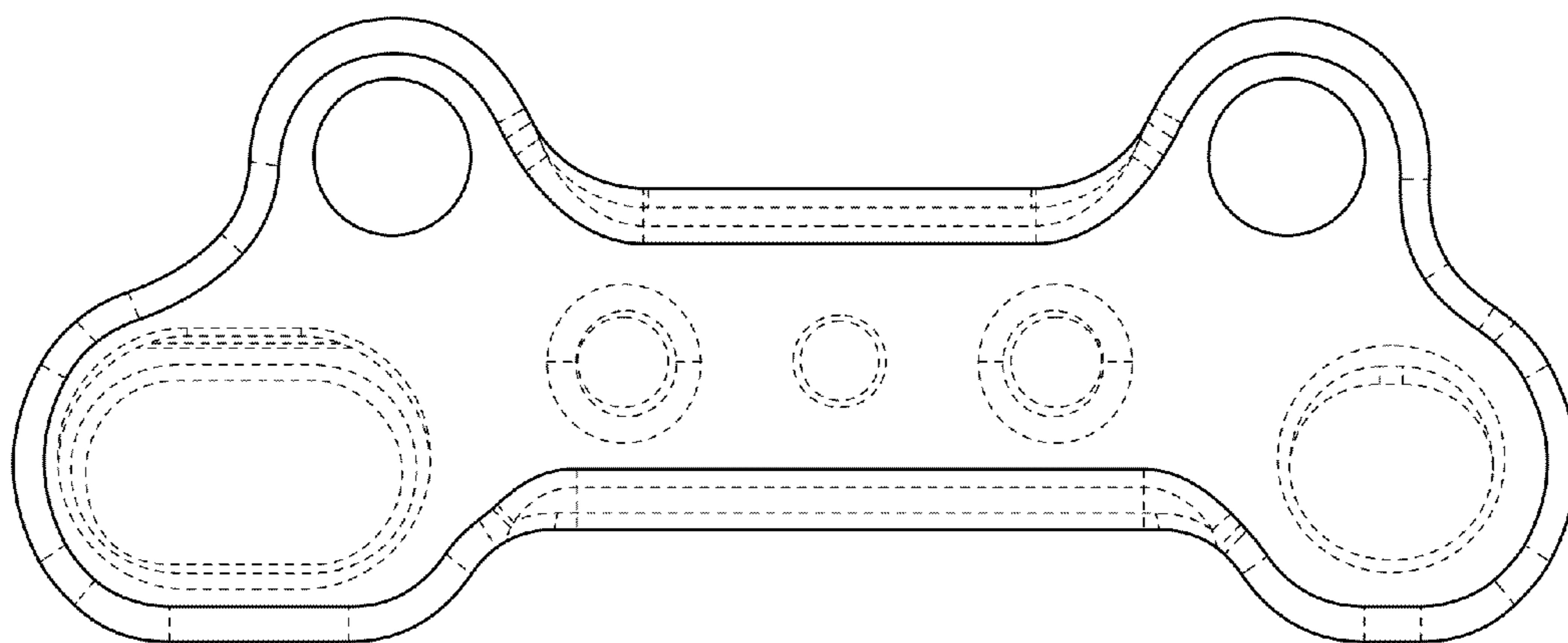


FIG. 2