



US00D754856S

(12) **United States Design Patent**  
**Martin et al.**

(10) **Patent No.:** **US D754,856 S**  
(45) **Date of Patent:** **\*\* Apr. 26, 2016**

- (54) **SUTURE CARTRIDGE**
- (71) Applicant: **Ethicon Endo-Surgery, Inc.**, Cincinnati, OH (US)
- (72) Inventors: **David T. Martin**, Milford, OH (US);  
**William J. White**, West Chester, OH (US)
- (73) Assignee: **Ethicon Endo-Surgery, LLC**,  
Guaynabo, PR (US)
- (\*\*) Term: **14 Years**
- (21) Appl. No.: **29/515,300**
- (22) Filed: **Jan. 21, 2015**
- (51) **LOC (10) Cl.** ..... **24-02**
- (52) **U.S. Cl.**  
USPC ..... **D24/145**
- (58) **Field of Classification Search**  
USPC ..... D24/145; 606/75, 148, 213, 219, 232;  
206/219, 232, 572, 63.3  
CPC ..... A61B 17/06114; A61B 17/0625;  
A61B 17/04; A61B 17/0401; A61B 2017/0416  
See application file for complete search history.

- (56) **References Cited**  
U.S. PATENT DOCUMENTS
- 5,133,723 A \* 7/1992 Li ..... A61B 17/0469  
606/148
- 5,713,910 A \* 2/1998 Gordon ..... A61B 17/0625  
606/139
- 5,728,109 A \* 3/1998 Schulze ..... A61B 17/0483  
606/139

7,041,111 B2 *	5/2006	Chu	.....	A61B 17/0469 606/148
8,366,725 B2 *	2/2013	Chu	.....	A61B 17/0469 606/148
9,125,645 B1 *	9/2015	Martin	.....	A61B 17/0469
9,173,655 B2 *	11/2015	Martin	.....	A61B 17/06114
2014/0131249 A1 *	5/2014	Hart	.....	A61B 17/06114 206/63.3
2014/0166514 A1 *	6/2014	Martin	.....	A61B 17/06114 206/365
2014/0171970 A1 *	6/2014	Martin	.....	A61B 17/06114 606/144
2015/0133967 A1 *	5/2015	Martin	.....	A61B 17/0625 606/144

\* cited by examiner

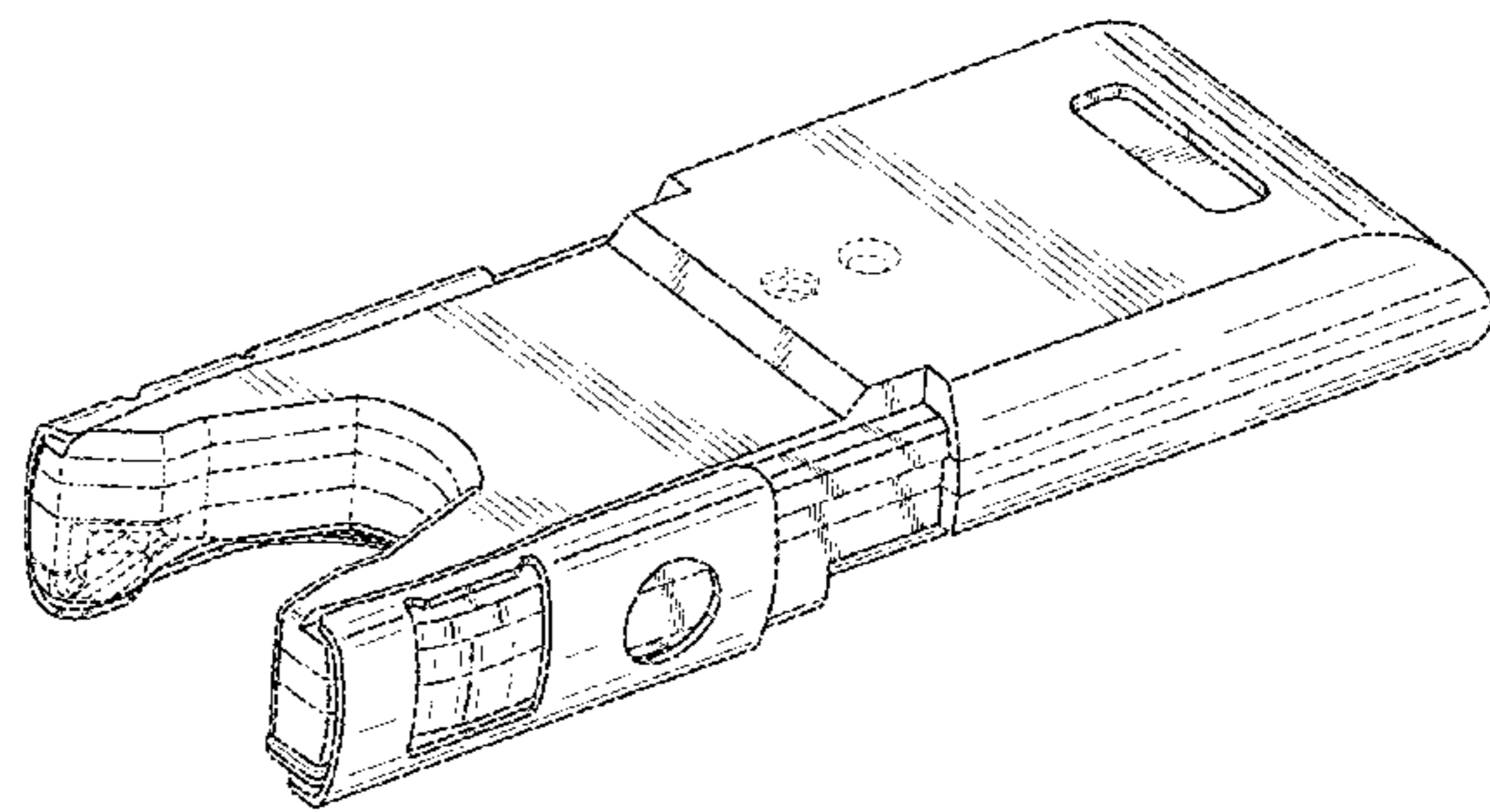
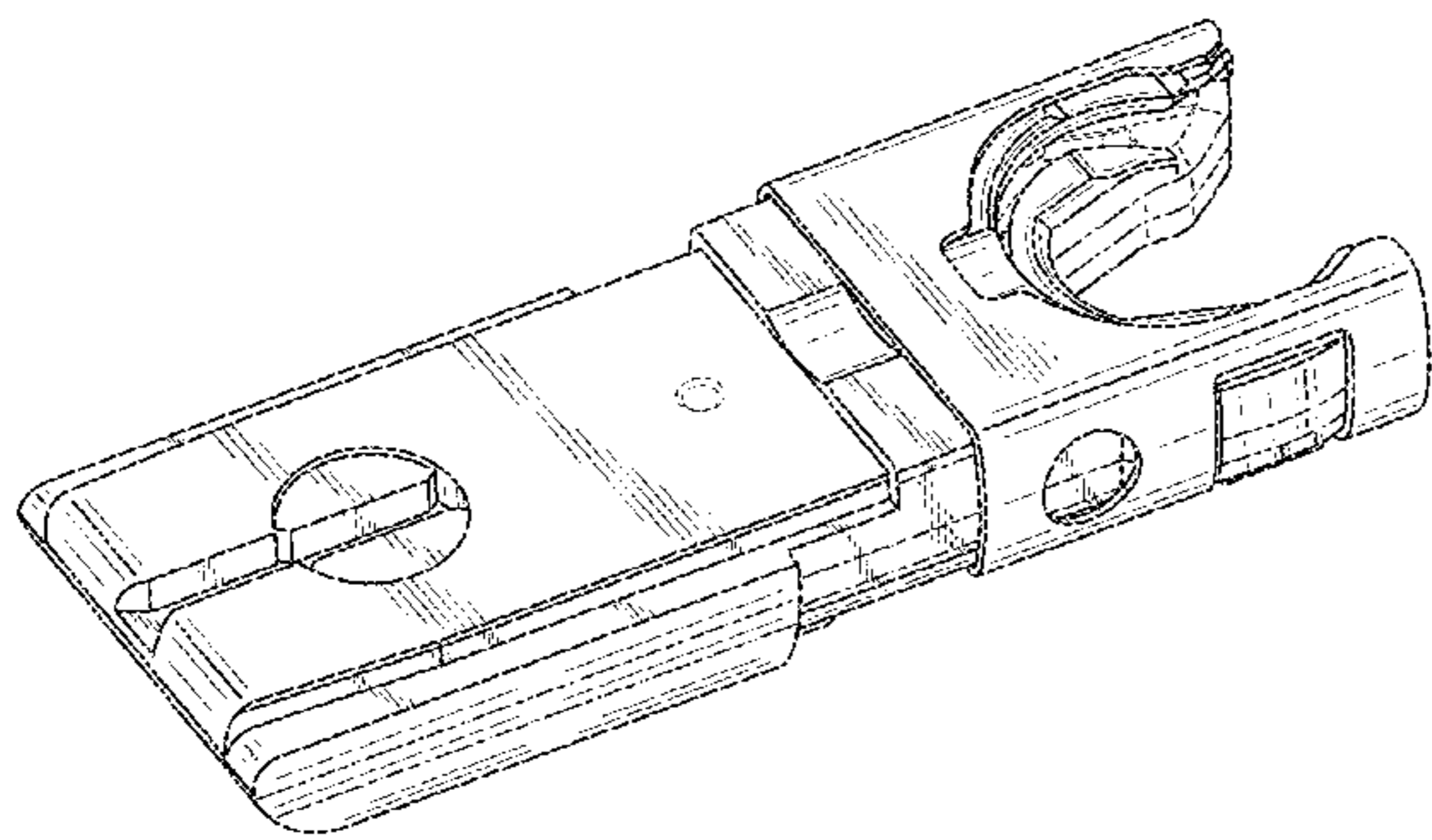
*Primary Examiner* — Wan Laymon

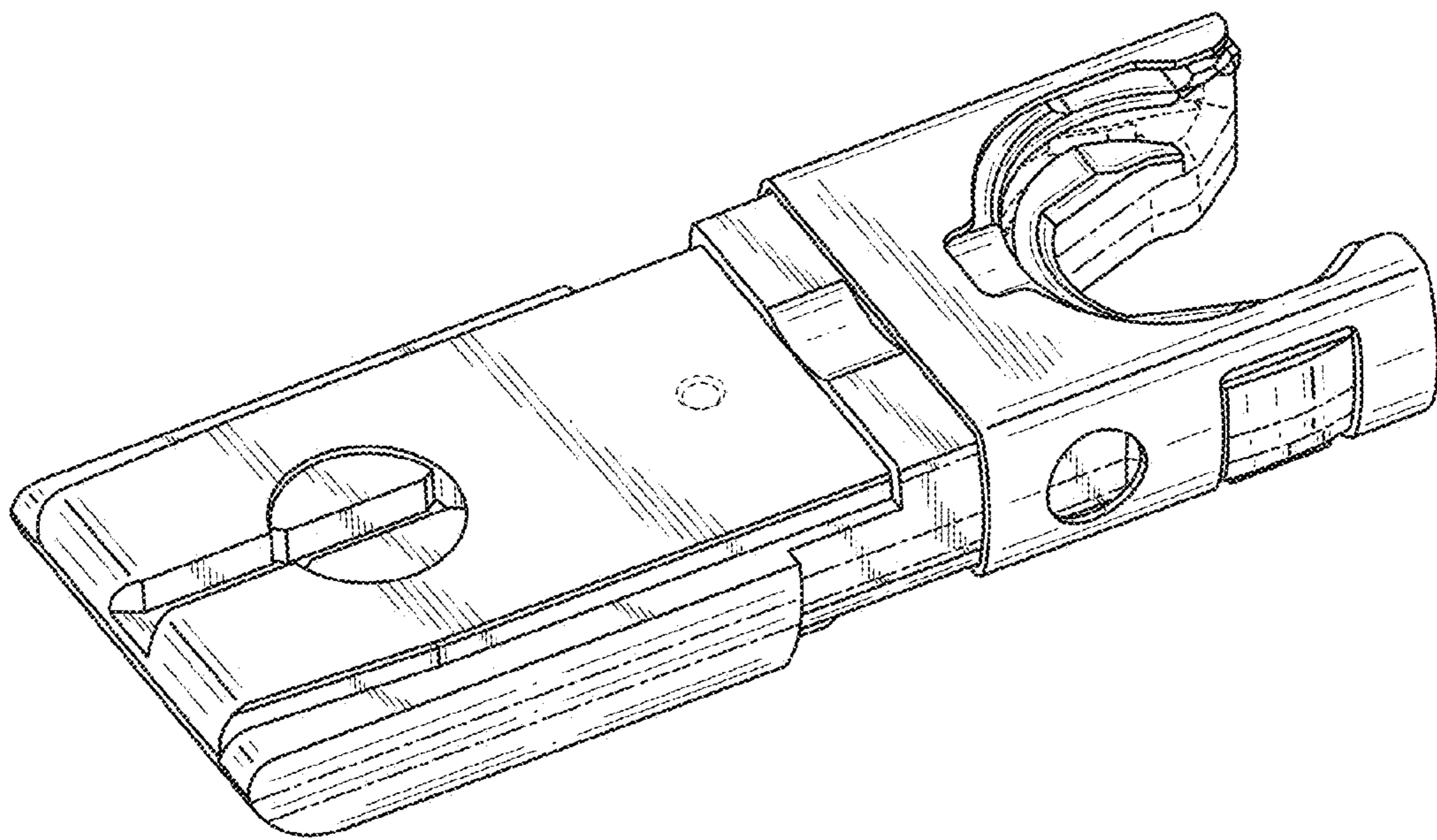
(57) **CLAIM**  
The ornamental design for a suture cartridge, as shown and described.

**DESCRIPTION**

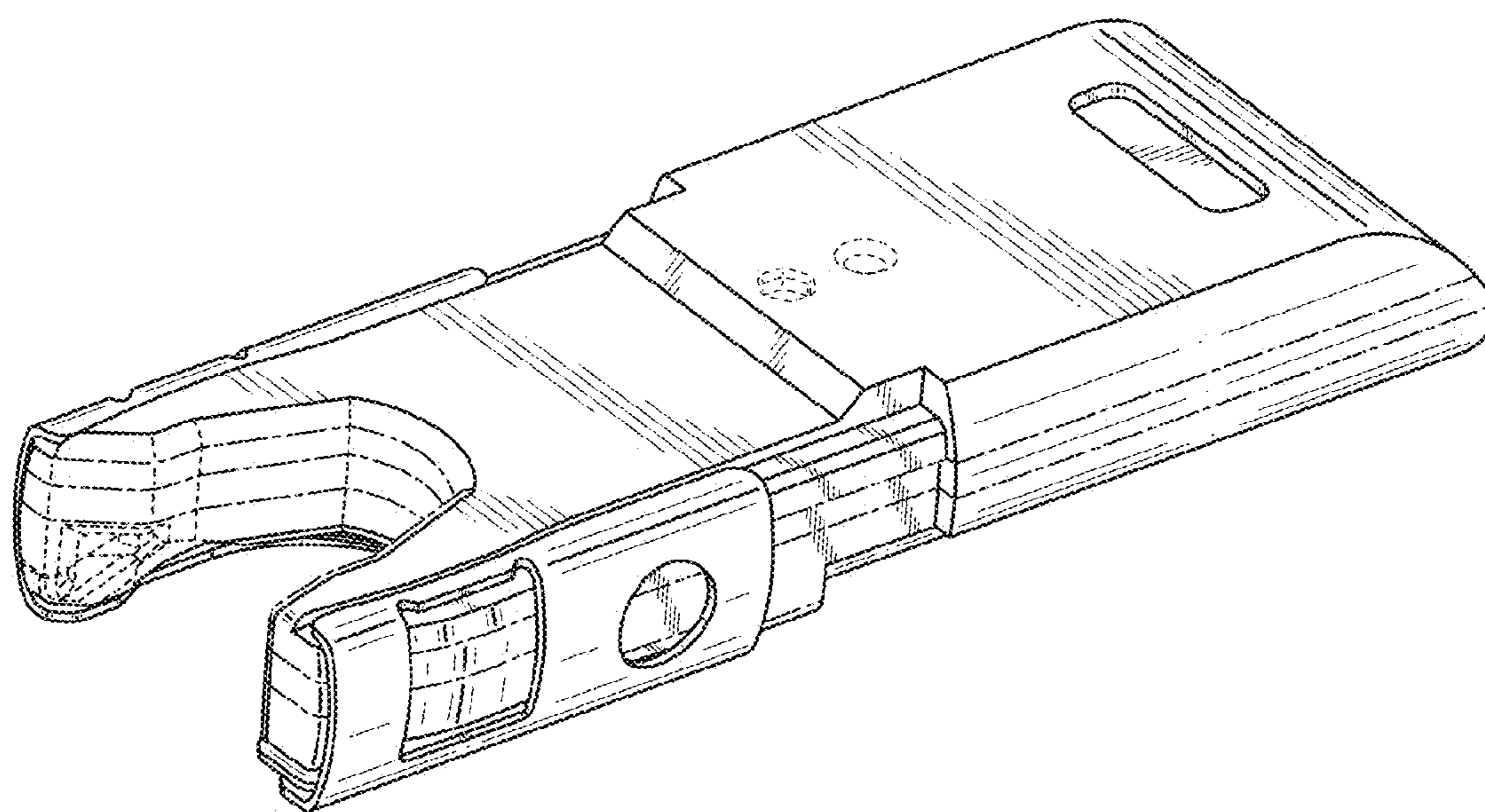
FIG. 1 is a top perspective view of a suture cartridge;  
FIG. 2 is a bottom perspective view thereof;  
FIG. 3 is a top plan view thereof;  
FIG. 4 is a right side elevation view thereof;  
FIG. 5 is a bottom plan view thereof;  
FIG. 6 is a left side elevation view thereof;  
FIG. 7 is a front elevation view thereof; and,  
FIG. 8 is a rear elevation view thereof.  
The broken lines shown in the drawings are included for the purpose of illustrating structural environment and form no part of the claimed design.

**1 Claim, 5 Drawing Sheets**

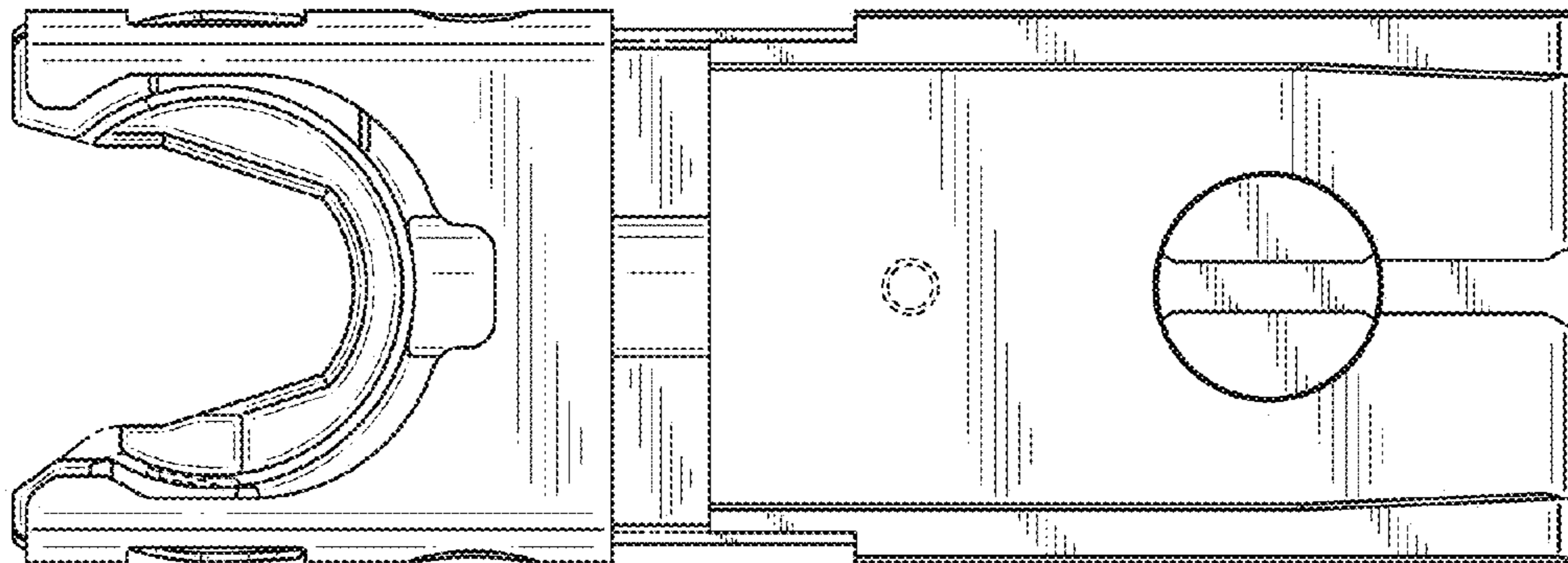




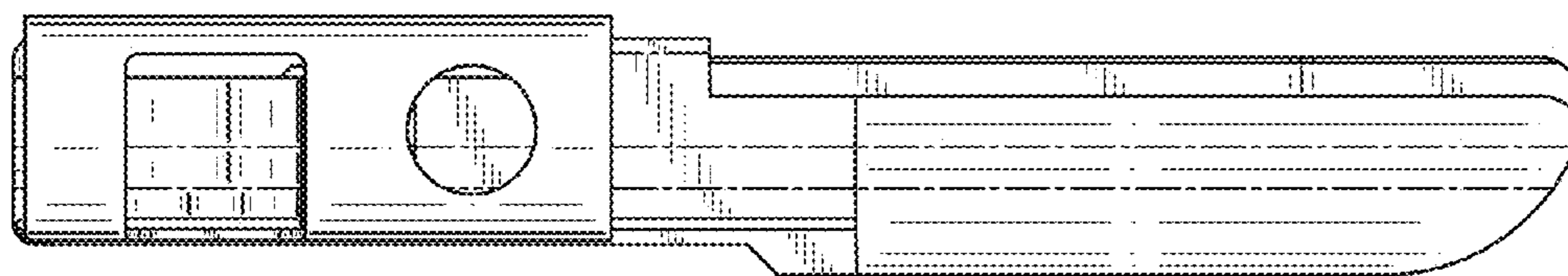
**FIG. 1**



**FIG. 2**

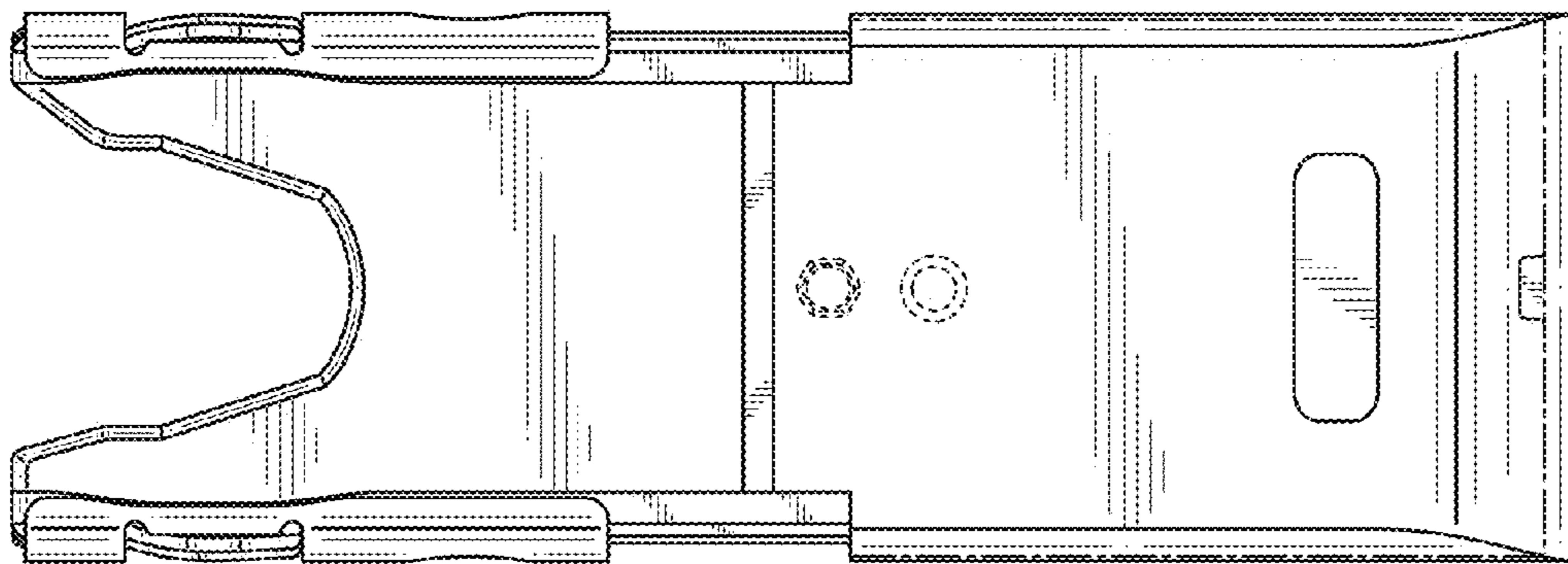


**FIG. 3**

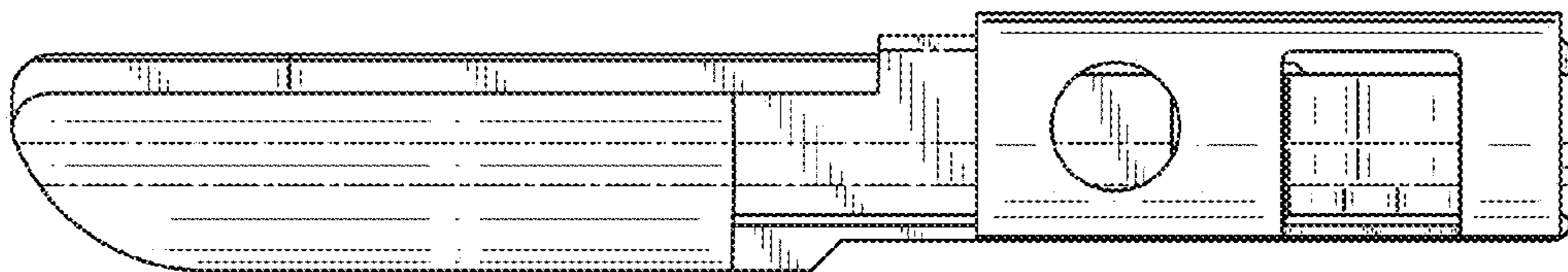


**FIG. 4**

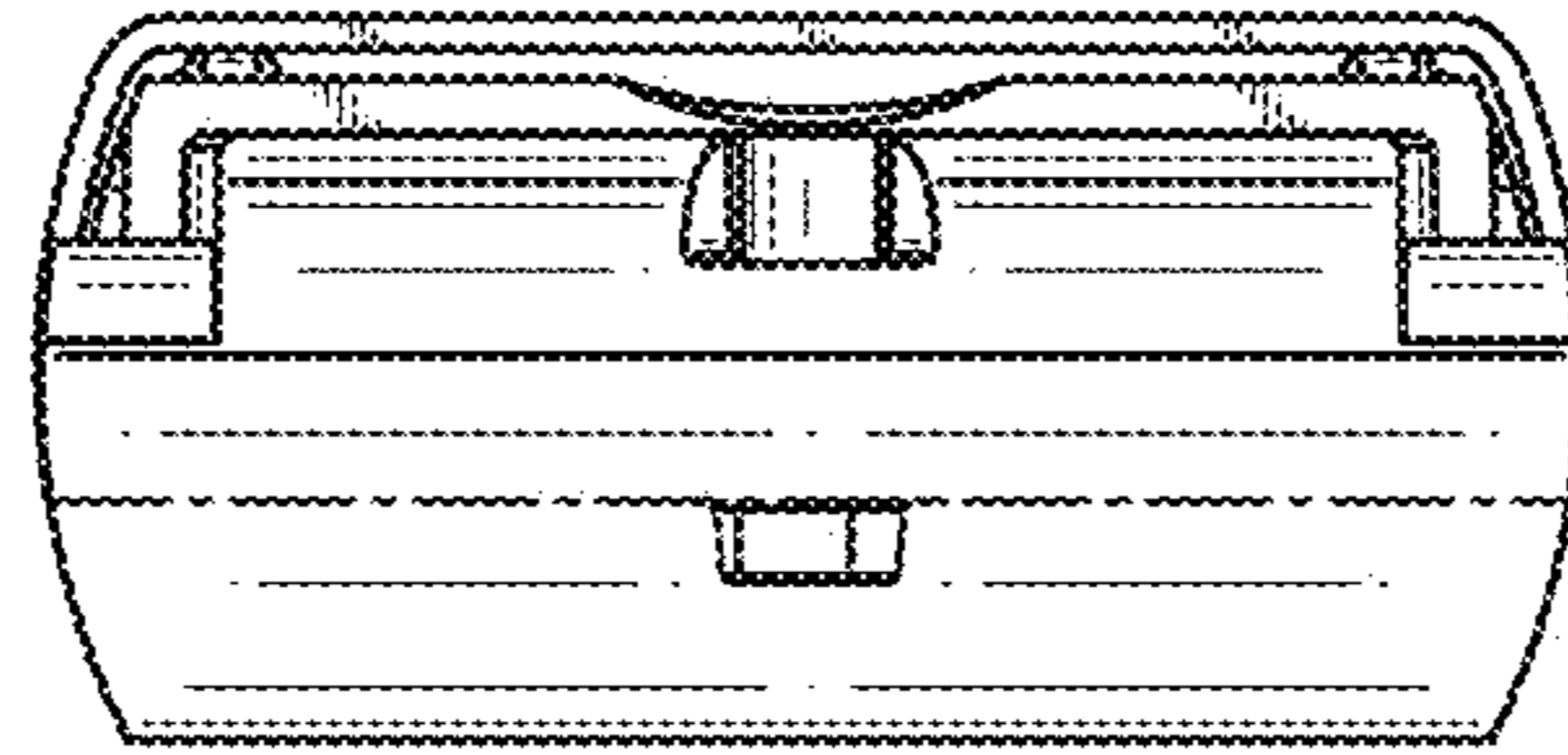




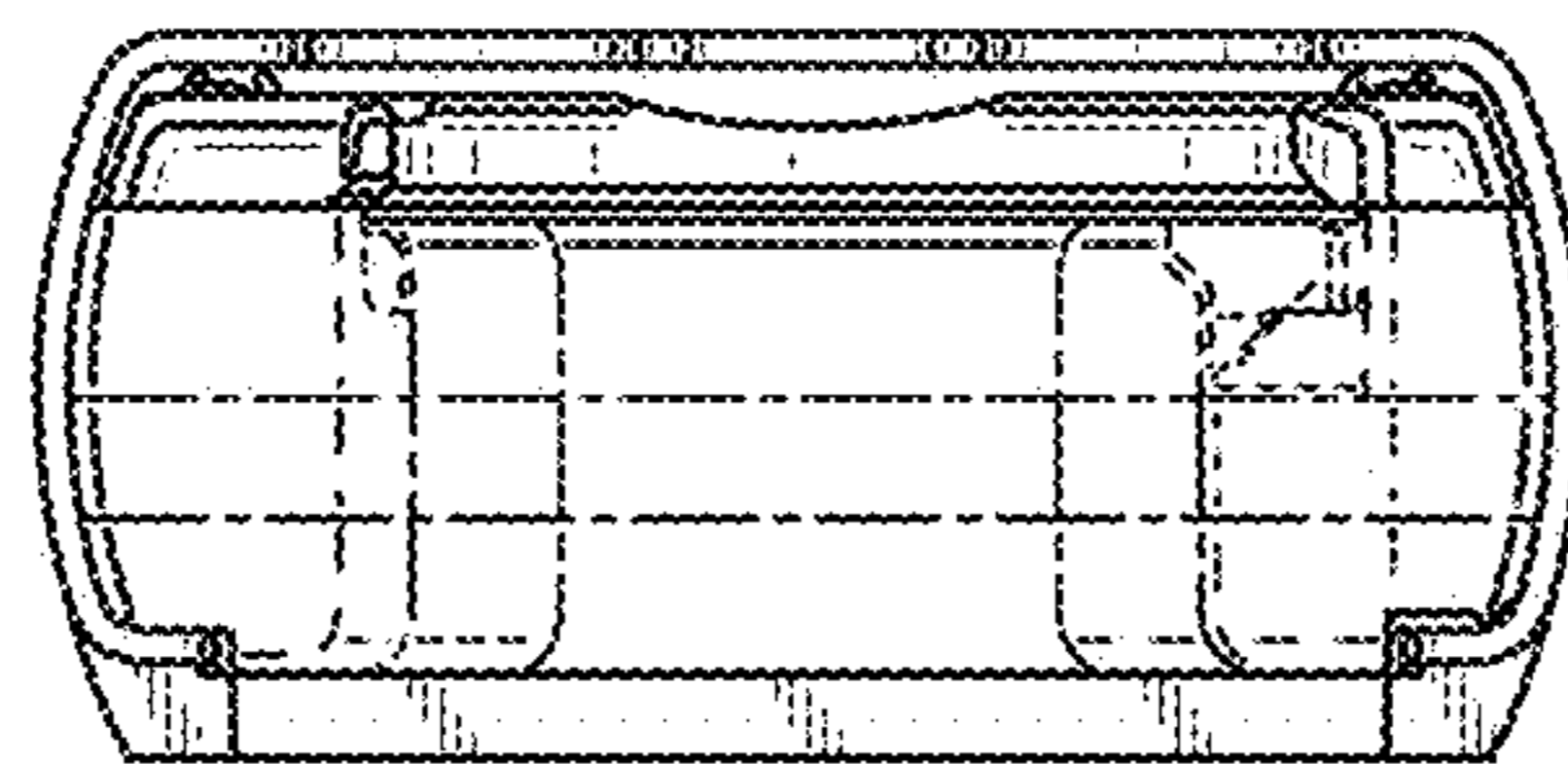
**FIG. 5**



**FIG. 6**



**FIG. 7**



**FIG. 8**