



US00D754848S

(12) **United States Design Patent**  
**Masters et al.**

(10) **Patent No.:** **US D754,848 S**

(45) **Date of Patent:** **\*\* \*Apr. 26, 2016**

(54) **EXPANDABLE OSTOMY APPLIANCE**

FOREIGN PATENT DOCUMENTS

(71) Applicant: **HOLLISTER INCORPORATED**,  
Libertyville, IL (US)

GB 2153231 A 8/1985  
WO 9317643 A 3/1993

(Continued)

(72) Inventors: **Brock E. Masters**, Toronto (CA);  
**Kimberly R. Hansford**, Winthrop  
Harbor, IL (US); **Tze Wan Pansy**  
**Chung**, Fox River Grove, IL (US)

OTHER PUBLICATIONS

2008 web page of Oakmed: <https://web.archive.org/web/20080529025443/http://www.oakmed.co.uk/colostomy.asp>.

(Continued)

(73) Assignee: **Hollister Incorporated**, Libertyville, IL  
(US)

*Primary Examiner* — David Muller

*Assistant Examiner* — Nathan Johnston

(\*) Notice: This patent is subject to a terminal disclaimer.

(74) *Attorney, Agent, or Firm* — Levenfeld Pearlstein, LLC

(\*\*) Term: **14 Years**

(57) **CLAIM**

The ornamental design for an expandable ostomy appliance, as shown and described.

(21) Appl. No.: **29/441,280**

(22) Filed: **Jan. 3, 2013**

**DESCRIPTION**

**Related U.S. Application Data**

(63) Continuation-in-part of application No. 29/416,492,  
filed on Mar. 22, 2012, now Pat. No. Des. 676,550.

(51) **LOC (10) Cl.** ..... **24-02**

(52) **U.S. Cl.**

USPC ..... **D24/118**

(58) **Field of Classification Search**

USPC ..... D24/118, 127, 108, 128, 111; 604/317,  
604/327, 408, 403, 108, 339, 92, 415, 410,  
604/332, 333; 128/DIG. 24; 383/22, 23, 35;  
D9/707, 709, 696; 206/219; D18/56

See application file for complete search history.

FIG. 1 is a rear perspective view of an expandable ostomy appliance in an expanded state embodying our new design, an adhesive skin barrier being shown in dashed lines and forming no part of the claimed design;

FIG. 2 is a front view thereof;

FIG. 3 is a rear view thereof;

FIG. 4 is a side view thereof as seen from the right-hand side of FIG. 2, the opposite side being a mirror image thereof;

FIG. 5 is a bottom view thereof;

FIG. 6 is a top view thereof;

FIG. 7 is a rear perspective view of the expandable ostomy appliance in a compacted state with its bottom portion tucked in its top portion;

FIG. 8 is a front view of thereof in the compacted state; and,  
FIG. 9 is a rear view thereof in the compacted state.

The broken line showing of an adhesive skin barrier on the expandable ostomy appliance is included for the purpose of illustrating environment and forms no part of the claimed design.

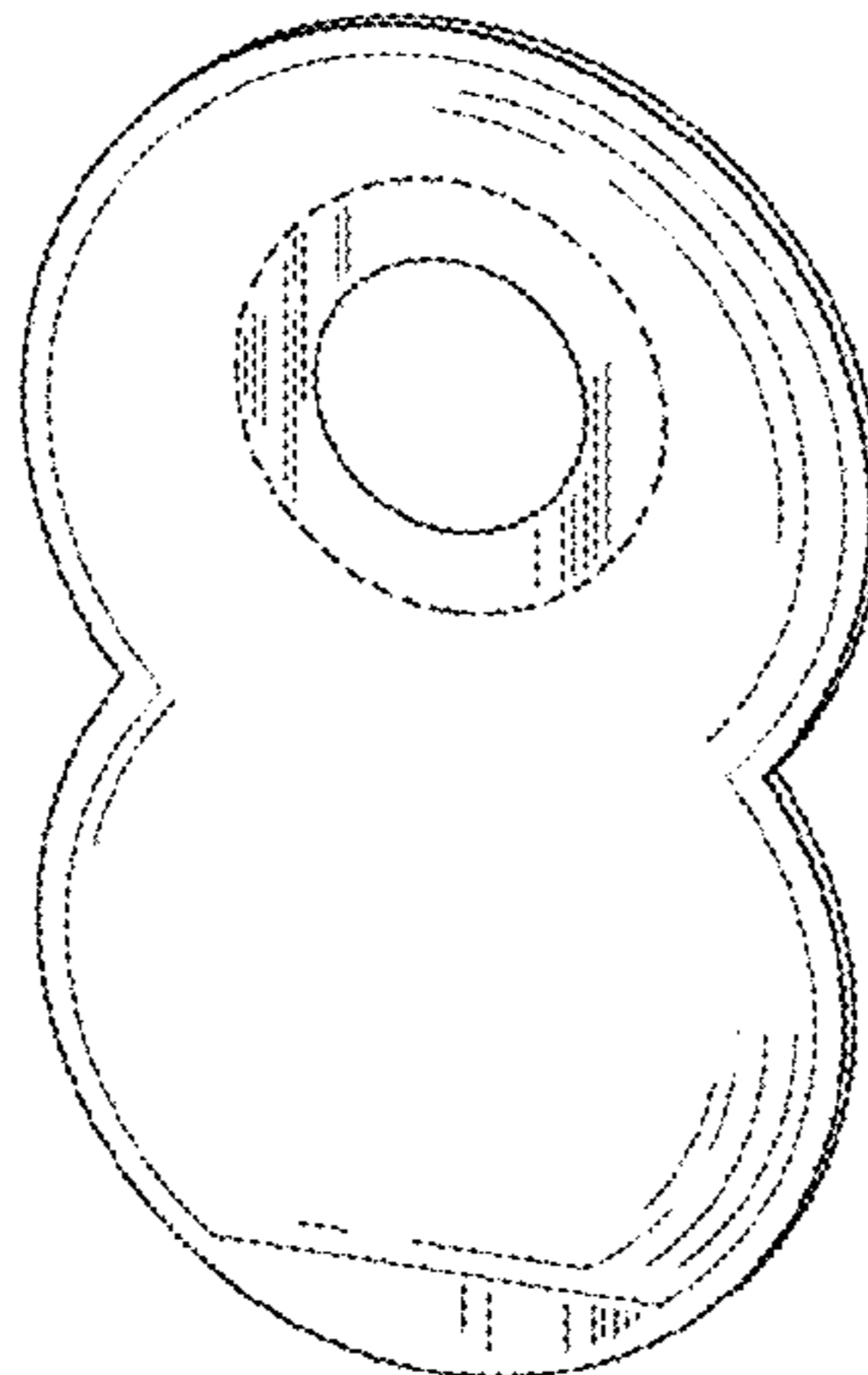
(56) **References Cited**

U.S. PATENT DOCUMENTS

2,741,247 A 4/1956 Marsan  
3,403,715 A 10/1968 Trudel

(Continued)

**1 Claim, 3 Drawing Sheets**



(56)

**References Cited**

U.S. PATENT DOCUMENTS

3,952,727 A 4/1976 Nolan  
 4,188,989 A 2/1980 Andersen  
 4,439,191 A \* 3/1984 Hogan ..... 604/332  
 4,723,944 A 2/1988 Jensen  
 4,799,928 A 1/1989 Crowley  
 4,917,691 A \* 4/1990 Briggs ..... 604/339  
 5,263,946 A 11/1993 Klug  
 5,409,474 A 4/1995 Fleeman-Hardwick  
 5,792,127 A 8/1998 Marran  
 5,834,009 A \* 11/1998 Sawers et al. .... 424/443  
 D424,691 S \* 5/2000 Yavitz ..... D24/128  
 6,258,423 B1 \* 7/2001 Giori ..... 428/36.7  
 7,008,407 B1 3/2006 Kamp  
 7,214,217 B2 \* 5/2007 Pedersen et al. .... 604/333  
 7,559,922 B2 7/2009 Botten  
 7,879,015 B2 2/2011 Villefrance et al.

7,879,016 B2 2/2011 Mandzij et al.  
 D676,550 S \* 2/2013 Masters et al. .... D24/124  
 2005/0113770 A1 \* 5/2005 Pedersen et al. .... 604/332  
 2005/0273065 A1 12/2005 Lillegaard  
 2007/0203466 A1 \* 8/2007 Pedersen et al. .... 604/333  
 2007/0261789 A1 \* 11/2007 Giori ..... 156/308.4  
 2008/0294129 A1 \* 11/2008 Giori et al. .... 604/332  
 2012/0130329 A1 \* 5/2012 March et al. .... 604/332  
 2013/0253455 A1 \* 9/2013 Masters et al. .... 604/332

FOREIGN PATENT DOCUMENTS

WO 02102289 A1 12/2002  
 WO 2011031822 A1 3/2011

OTHER PUBLICATIONS

Iprp for PCT/2013/033105 dated Oct. 2, 2014.

\* cited by examiner

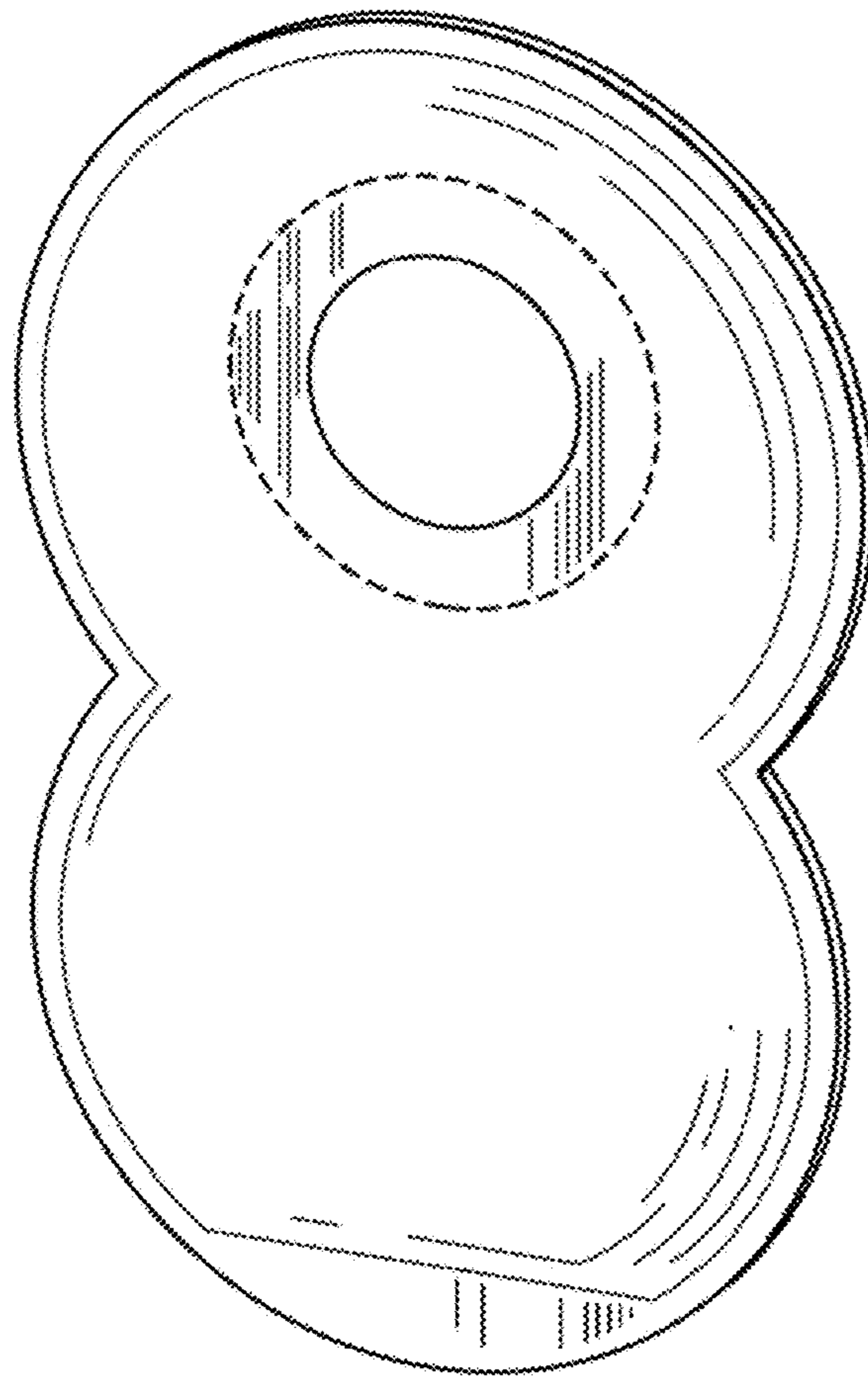


FIG. 1

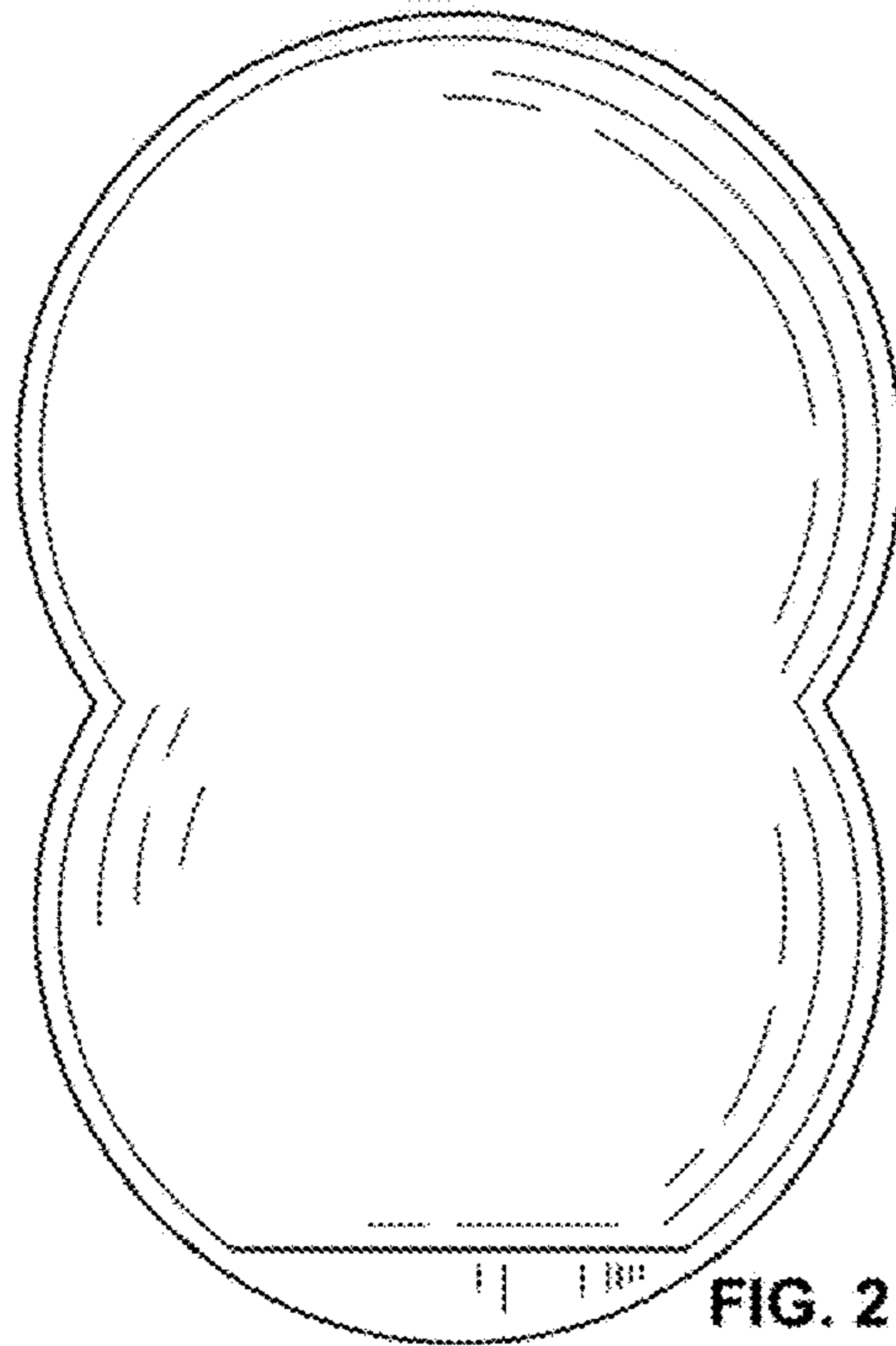


FIG. 2

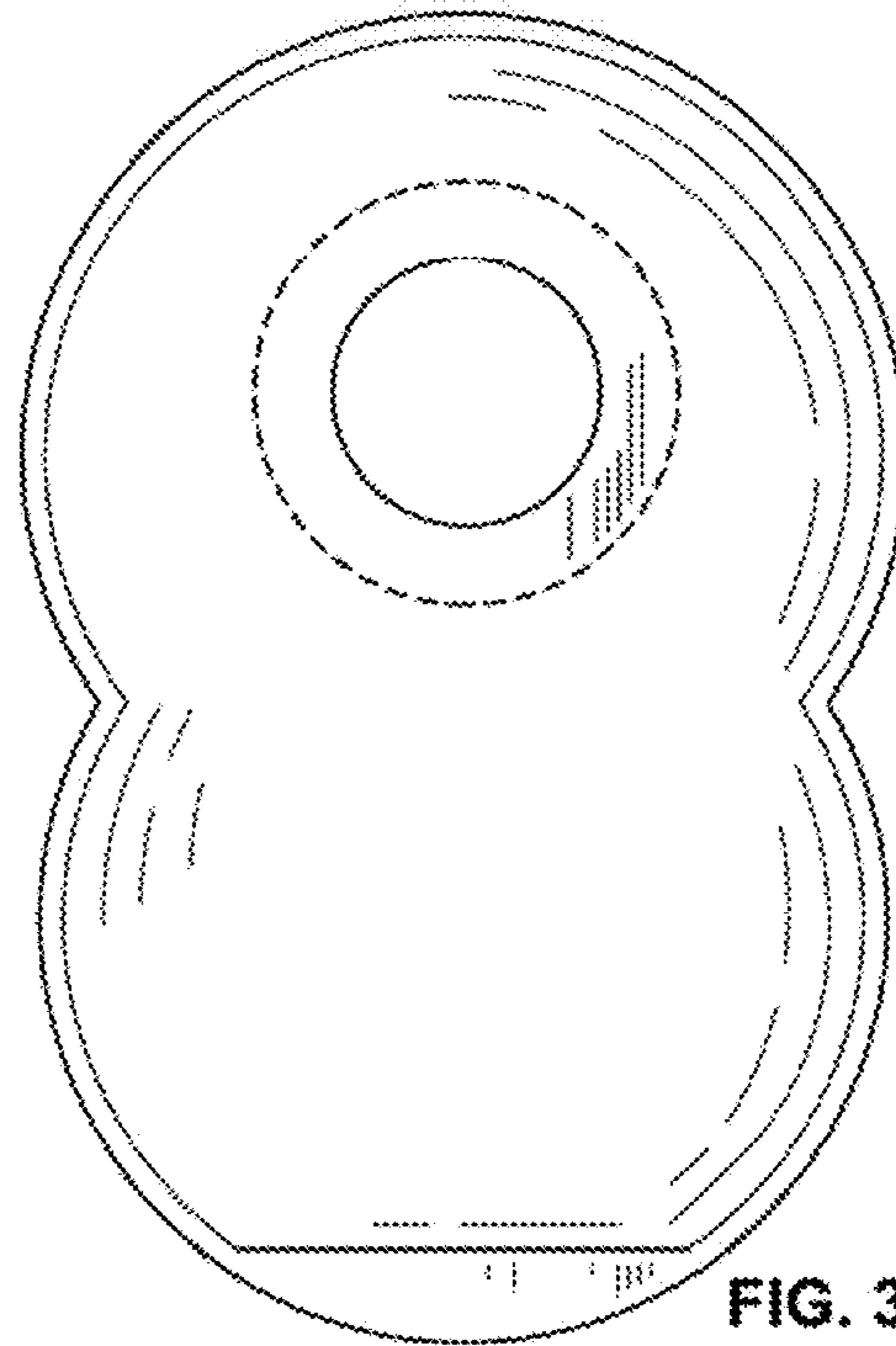


FIG. 3

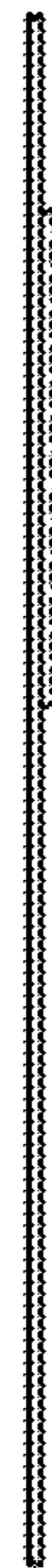


FIG. 4



FIG. 5

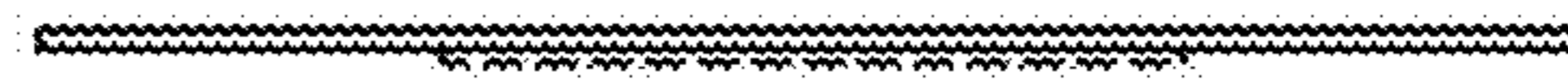


FIG. 6

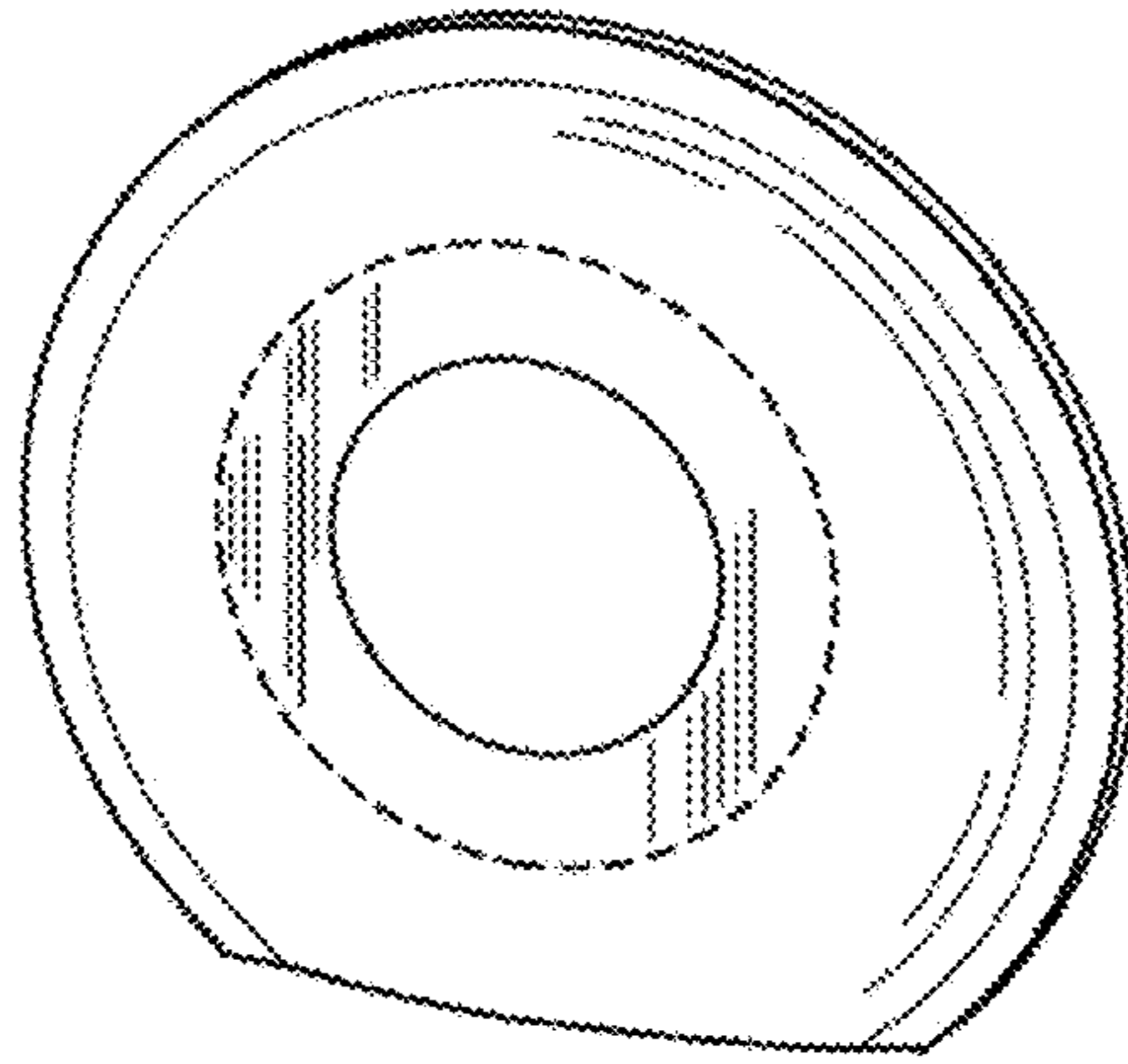


FIG. 7

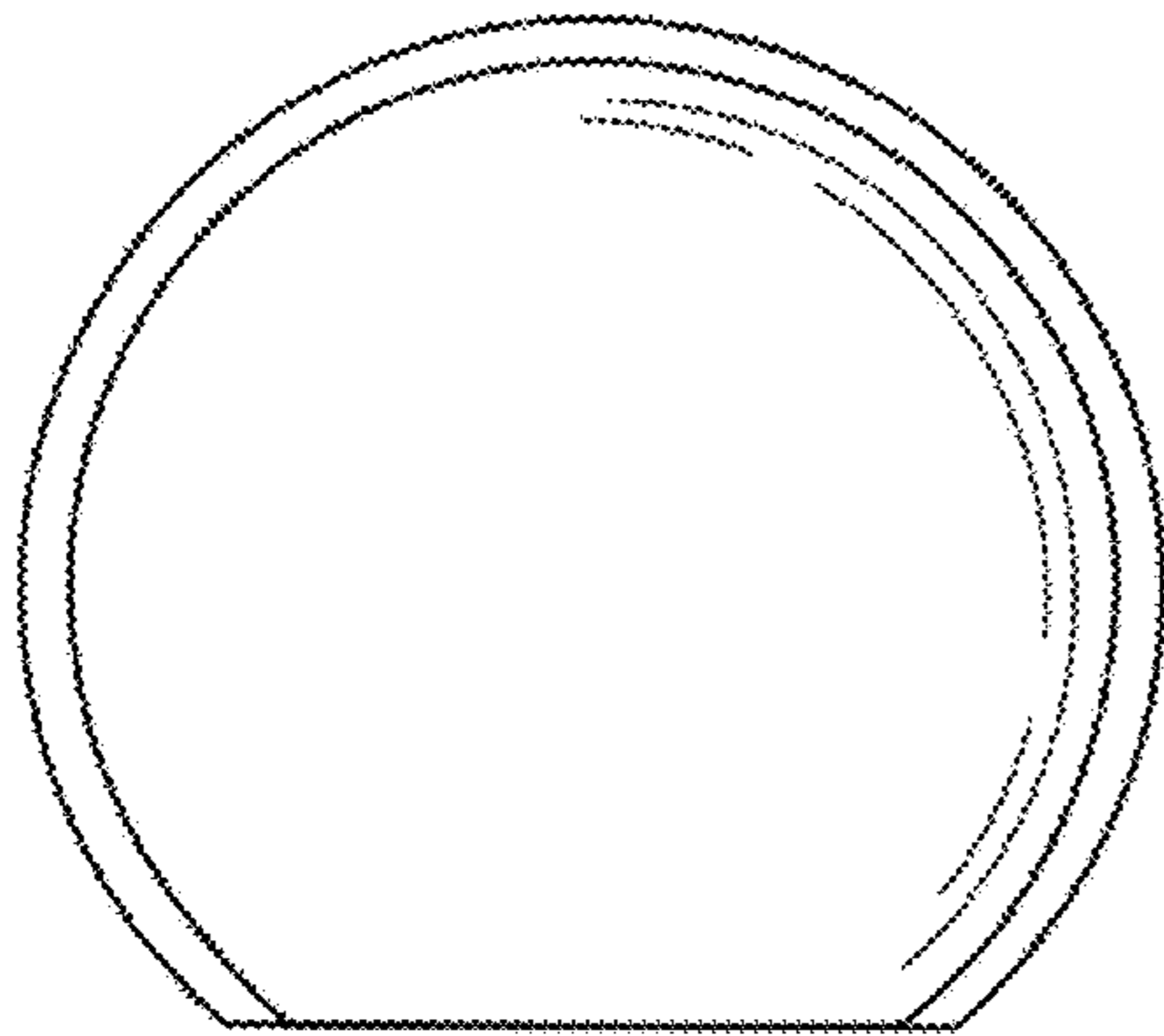


FIG. 8

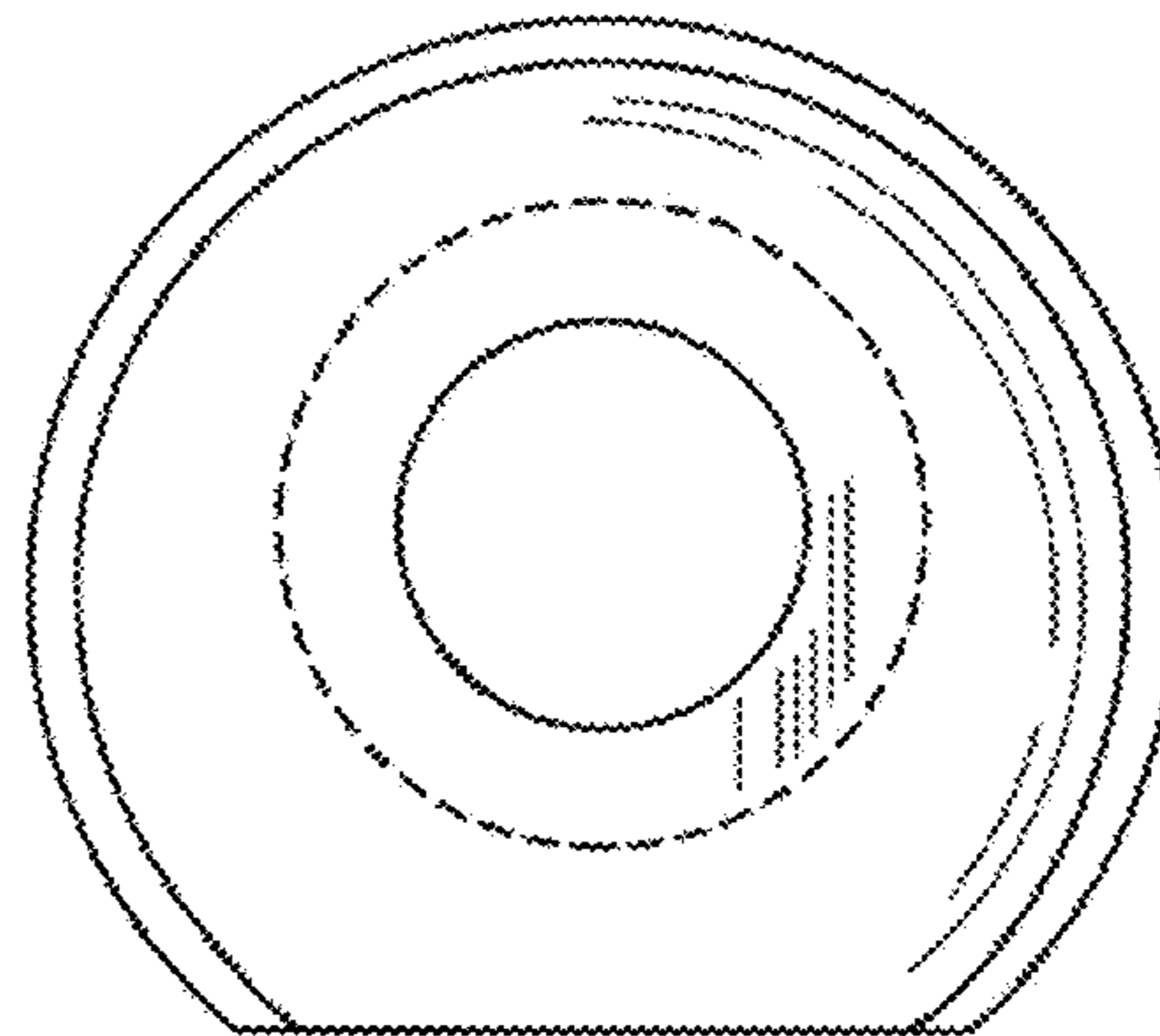


FIG. 9