



US00D754847S

(12) **United States Design Patent**
Jackson et al.

(10) **Patent No.:** **US D754,847 S**
(45) **Date of Patent:** **** Apr. 26, 2016**

(54) **MEDICAL BITE BLOCK**
(71) Applicant: **GI Supply, Inc.**, Camp Hill, PA (US)
(72) Inventors: **Frank Wilson Jackson**, Mechanicsburg, PA (US); **Frank Wilson Jackson, III**, Mechanicsburg, PA (US); **William Robert Harding**, Bloomsburg, PA (US)
(73) Assignee: **GI Supply, Inc.**, Camp Hill, PA (US)
(**) Term: **14 Years**
(21) Appl. No.: **29/499,249**
(22) Filed: **Aug. 13, 2014**
(51) **LOC (10) Cl.** **29-02**
(52) **U.S. Cl.**
USPC **D24/110.5**
(58) **Field of Classification Search**
USPC D24/110, 110.1, 110.4, 110.5, 127, 164, D24/180, 181; D29/108
CPC A63B 71/085; A63B 2071/088; A63B 2071/086; A61M 16/0493; A61M 16/0497; A61M 16/0488; A61M 16/049; A61M 16/0495; A61C 7/36; A61B 1/24; A61B 2019/204

See application file for complete search history.

(56) **References Cited**
U.S. PATENT DOCUMENTS

D283,158	S *	3/1986	Jackson	128/207.14
D329,901	S *	9/1992	Jackson	D24/176
5,174,284	A *	12/1992	Jackson	A61M 16/0488 128/200.24
D399,950	S *	10/1998	Shepard	D24/110.5
6,634,359	B1 *	10/2003	Rudy, Jr.	A61M 16/0488 128/202.27
7,160,270	B2 *	1/2007	West	A61B 1/00154 128/DIG. 26
8,028,704	B2 *	10/2011	Reynolds, II	A61M 16/0666 128/859
D662,586	S *	6/2012	Coath	D24/110
8,820,320	B2 *	9/2014	Filipi	A61B 1/00154 128/200.26
9,186,473	B2 *	11/2015	Colman	A61B 1/00154
2002/0162555	A1 *	11/2002	West	A61B 1/00154 128/206.29
2007/0006878	A1 *	1/2007	Mackey	A61M 16/0488 128/200.26
2007/0068535	A1 *	3/2007	Colman	A61B 1/00154 128/859
2007/0225570	A1 *	9/2007	Manishen	A61M 16/0493 600/237

2008/0295849	A1 *	12/2008	Reynolds, II	A61M 16/0666 128/859
2009/0266368	A1 *	10/2009	Garren	A61M 16/0488 128/859
2010/0132700	A1 *	6/2010	Filipi	A61B 1/00154 128/200.26
2010/0262033	A1 *	10/2010	Colman	A61M 16/0488 600/532
2010/0317987	A1 *	12/2010	Inoue	A61M 16/0488 600/543
2010/0326435	A1 *	12/2010	Filipi	A61M 16/0488 128/200.26
2014/0081084	A1 *	3/2014	Domenico	A61B 1/00131 600/114
2014/0246030	A1 *	9/2014	Puri	A61B 1/01 128/887
2015/0107600	A1 *	4/2015	Jackson	A61B 1/01 128/845
2015/0265792	A1 *	9/2015	Goudra	A61B 1/00154 600/115

* cited by examiner

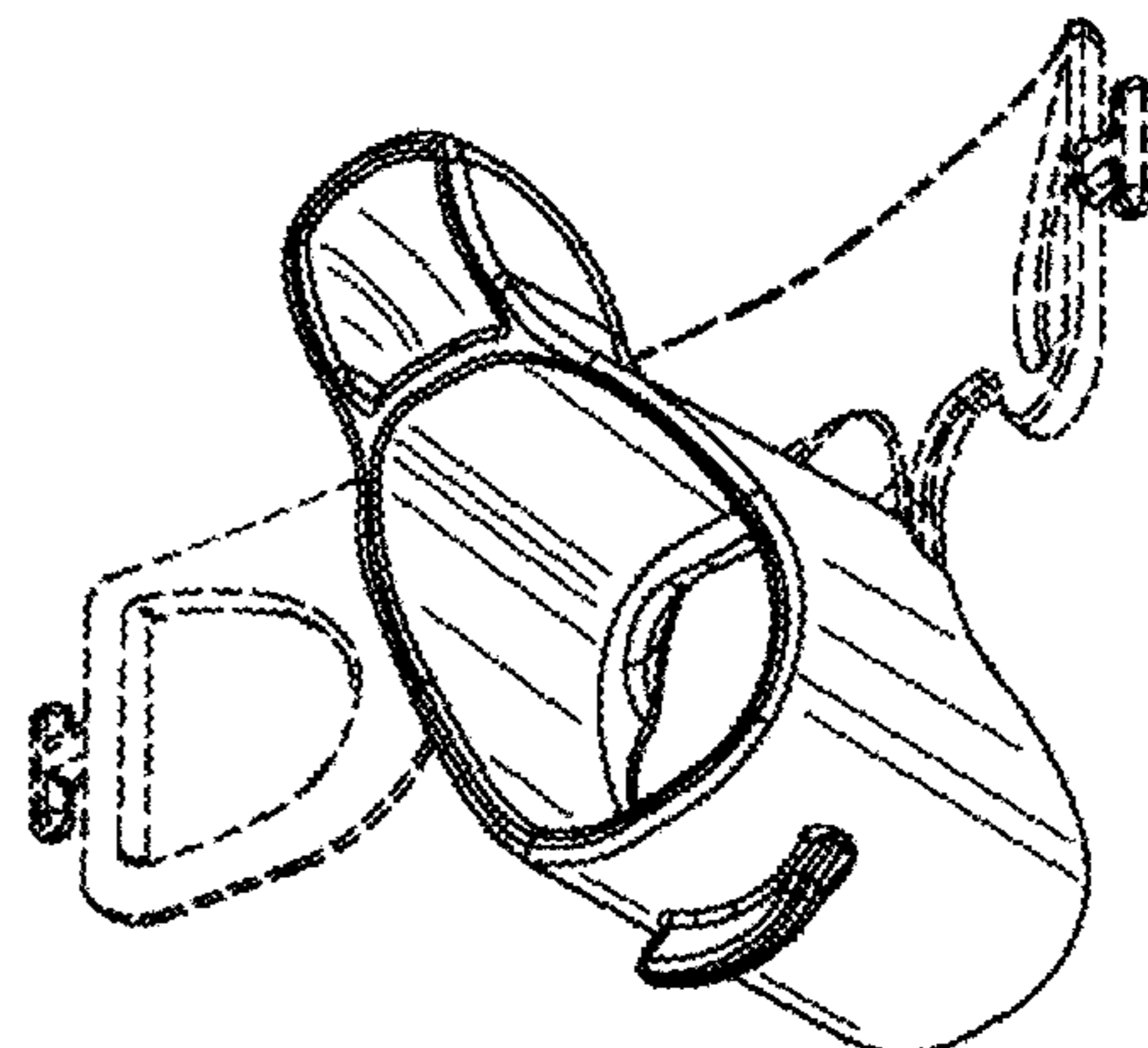
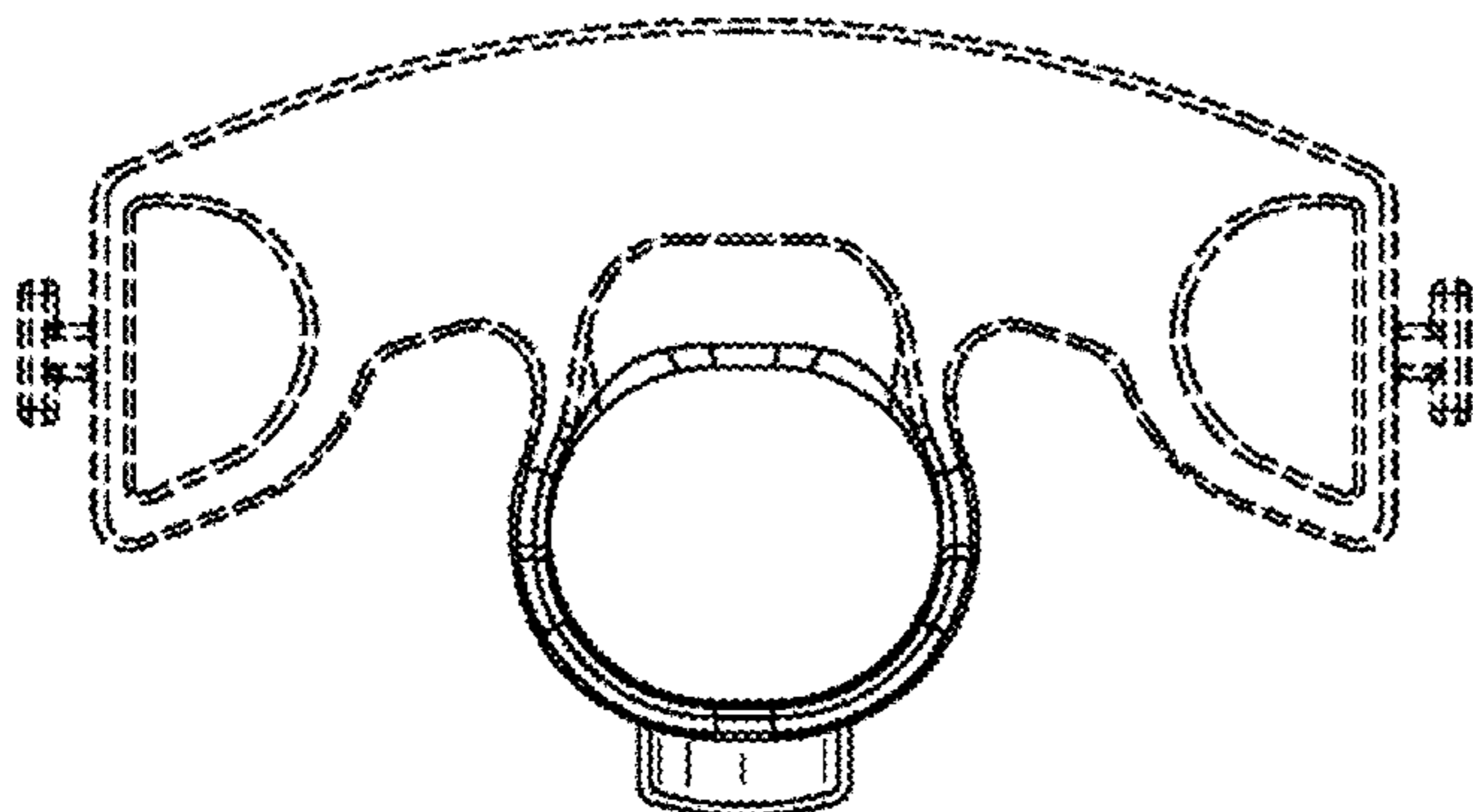
Primary Examiner — Barbara Fox
Assistant Examiner — Lilyana Bekic
(74) *Attorney, Agent, or Firm* — Hooker & Habib, P.C.

(57) **CLAIM**
The ornamental design for a medical bite block, as shown and described.

DESCRIPTION

FIG. 1 is a rear view of a medical bite block showing our new design;
FIG. 2 is a front view of the medical bite block shown in FIG. 1;
FIG. 3 is a right side view of the medical bite block shown in FIG. 1, the left side view being a mirror image of the right side view;
FIG. 4 is a top view of the medical bite block shown in FIG. 1;
FIG. 5 is a bottom view of the medical bite block shown in FIG. 1;
FIG. 6 is a top right perspective view of the medical bite block shown in FIG. 1; and,
FIG. 7 is a bottom right perspective view of the medical bite block shown in FIG. 1.
The broken lines shown in the drawings illustrate portions of the medical bite block which form no part of the claimed design.

1 Claim, 4 Drawing Sheets



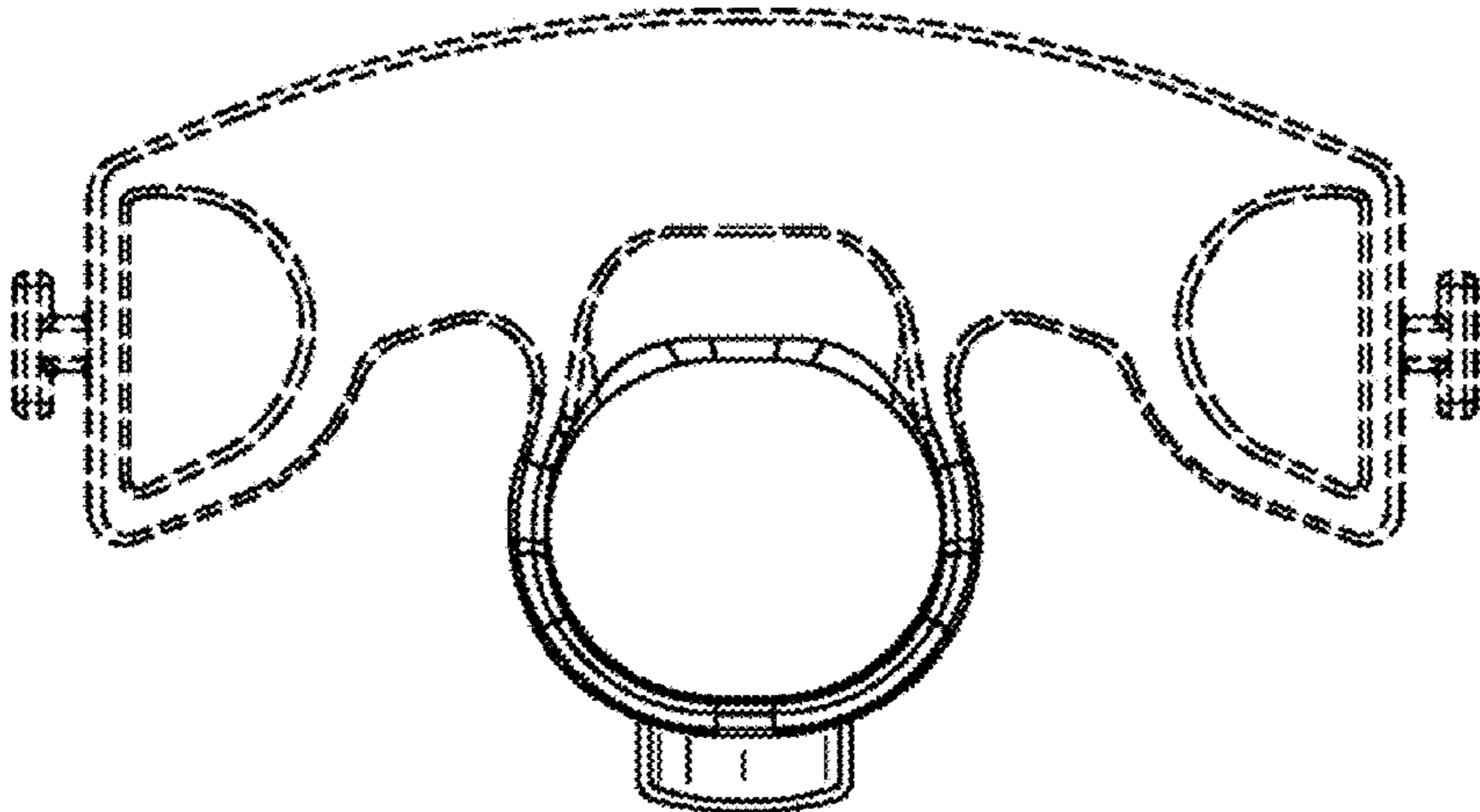


FIG. 1

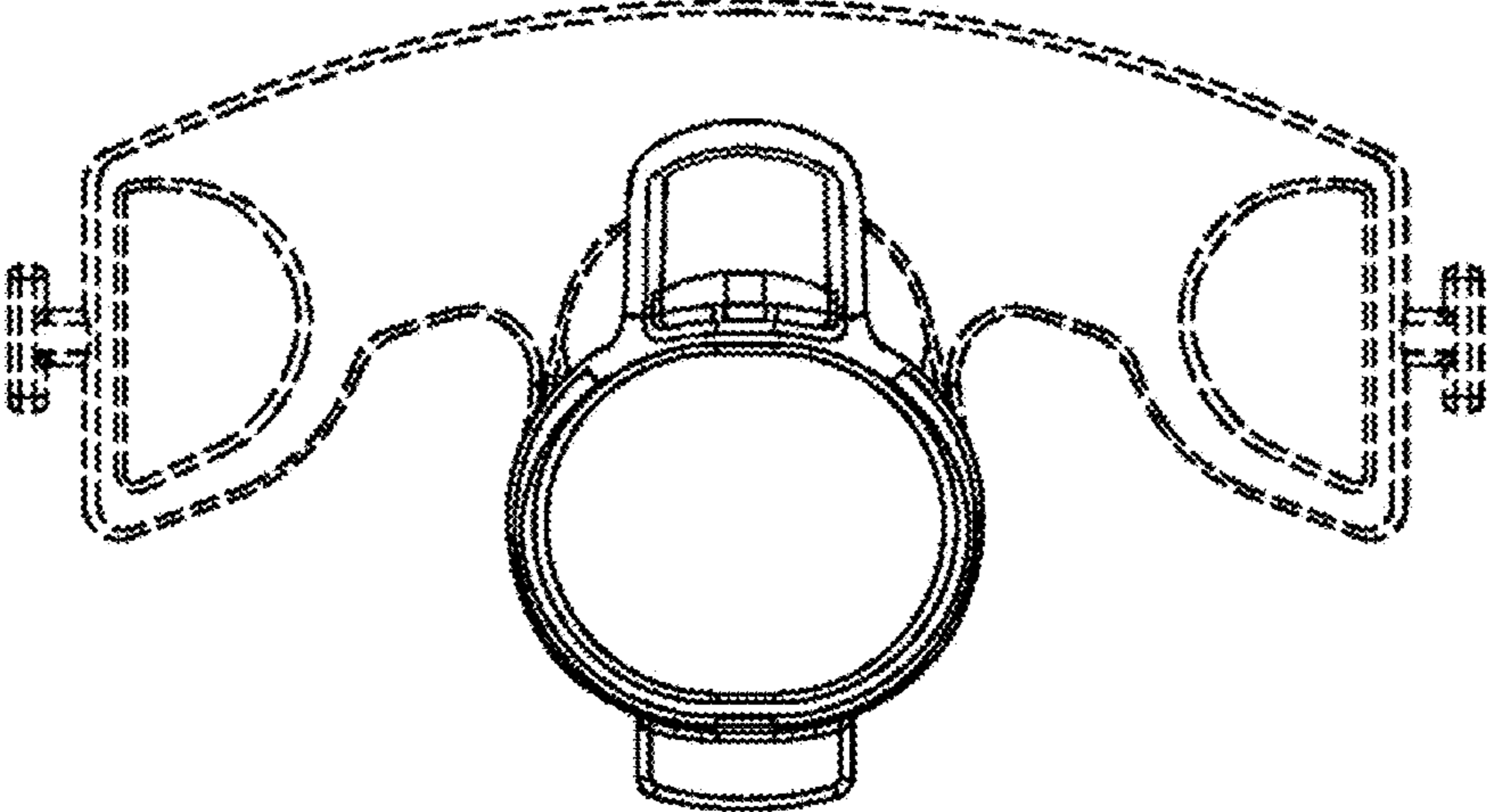


FIG. 2

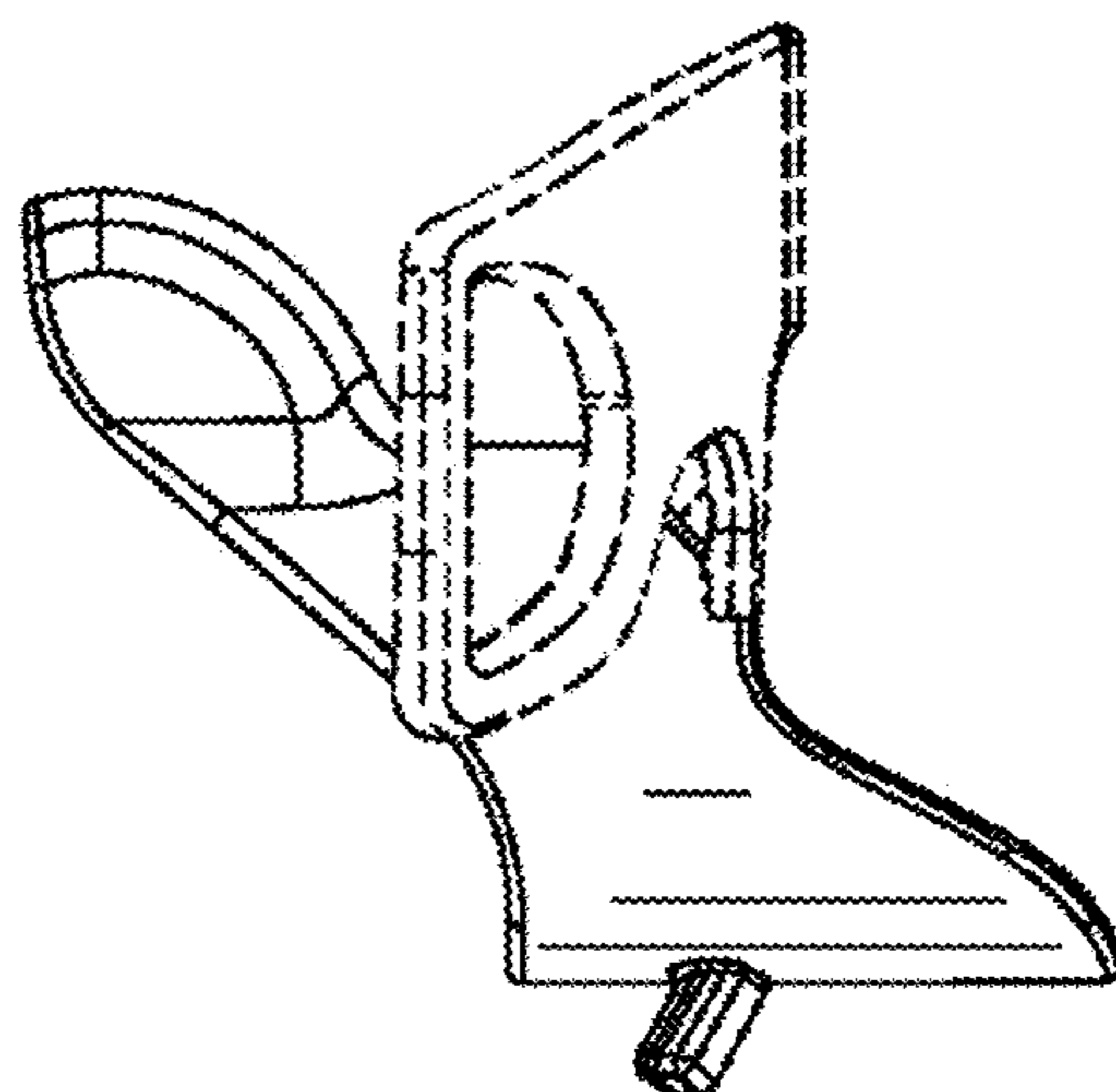


FIG. 3

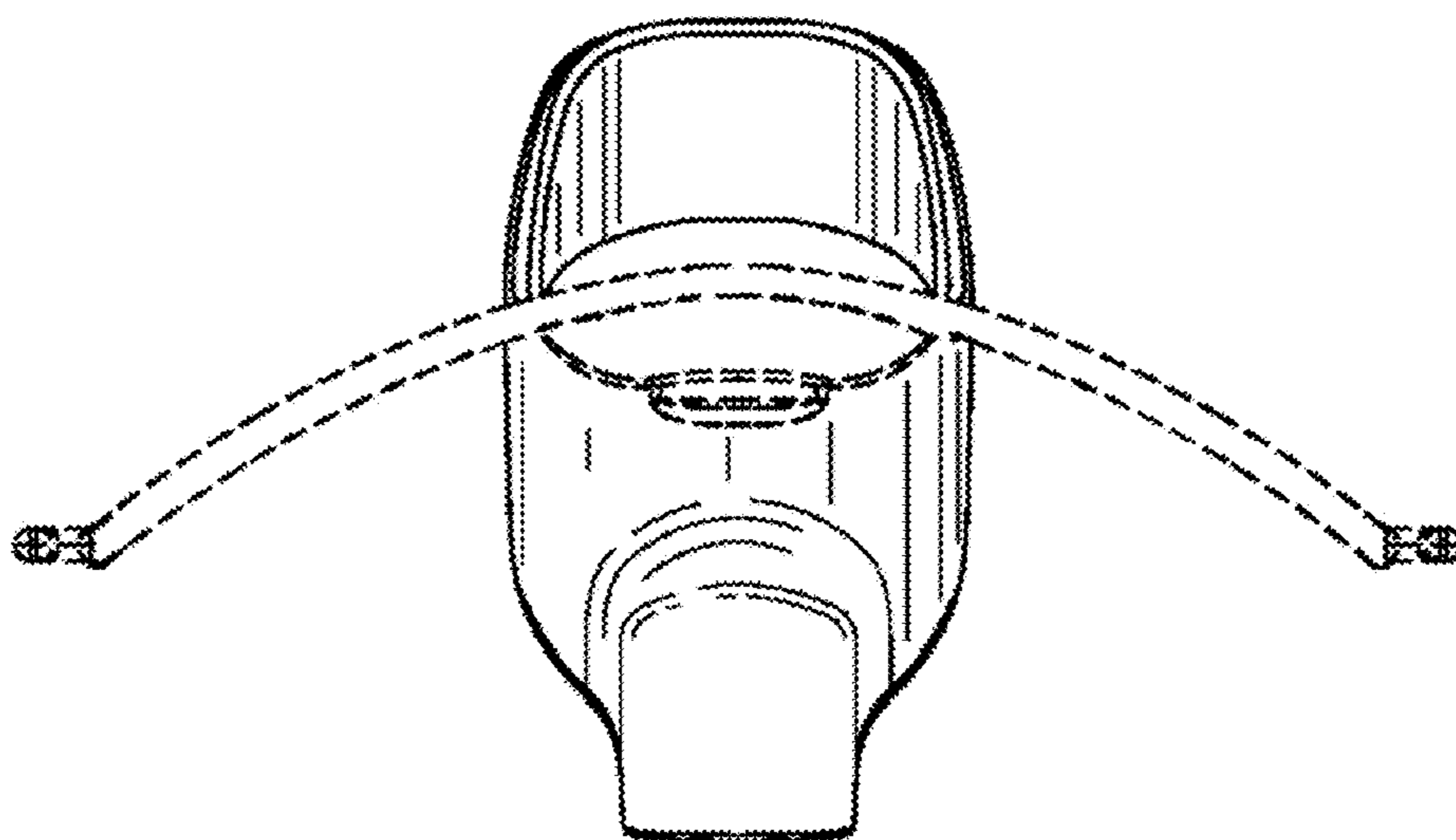


FIG. 4

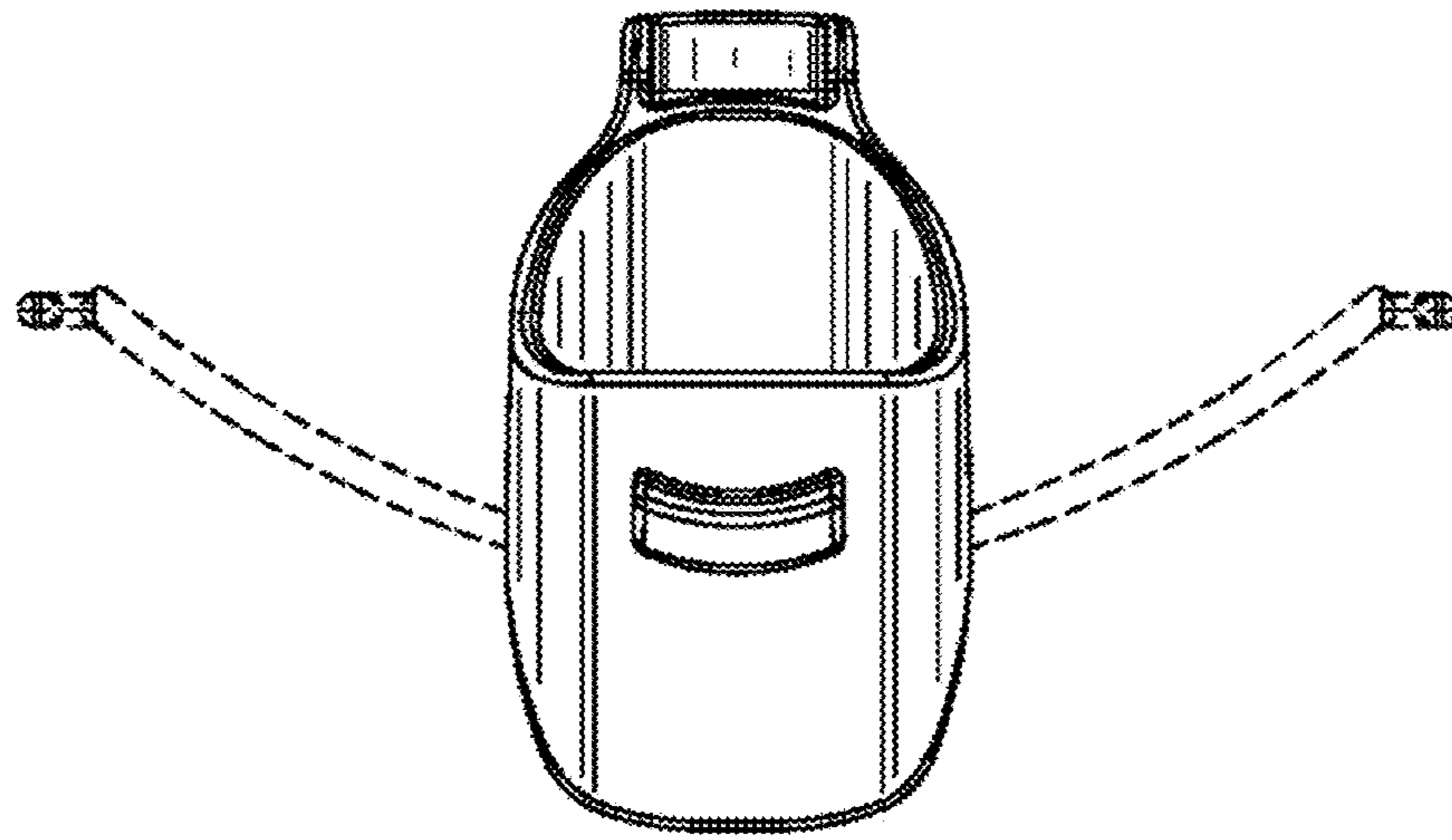


FIG. 5

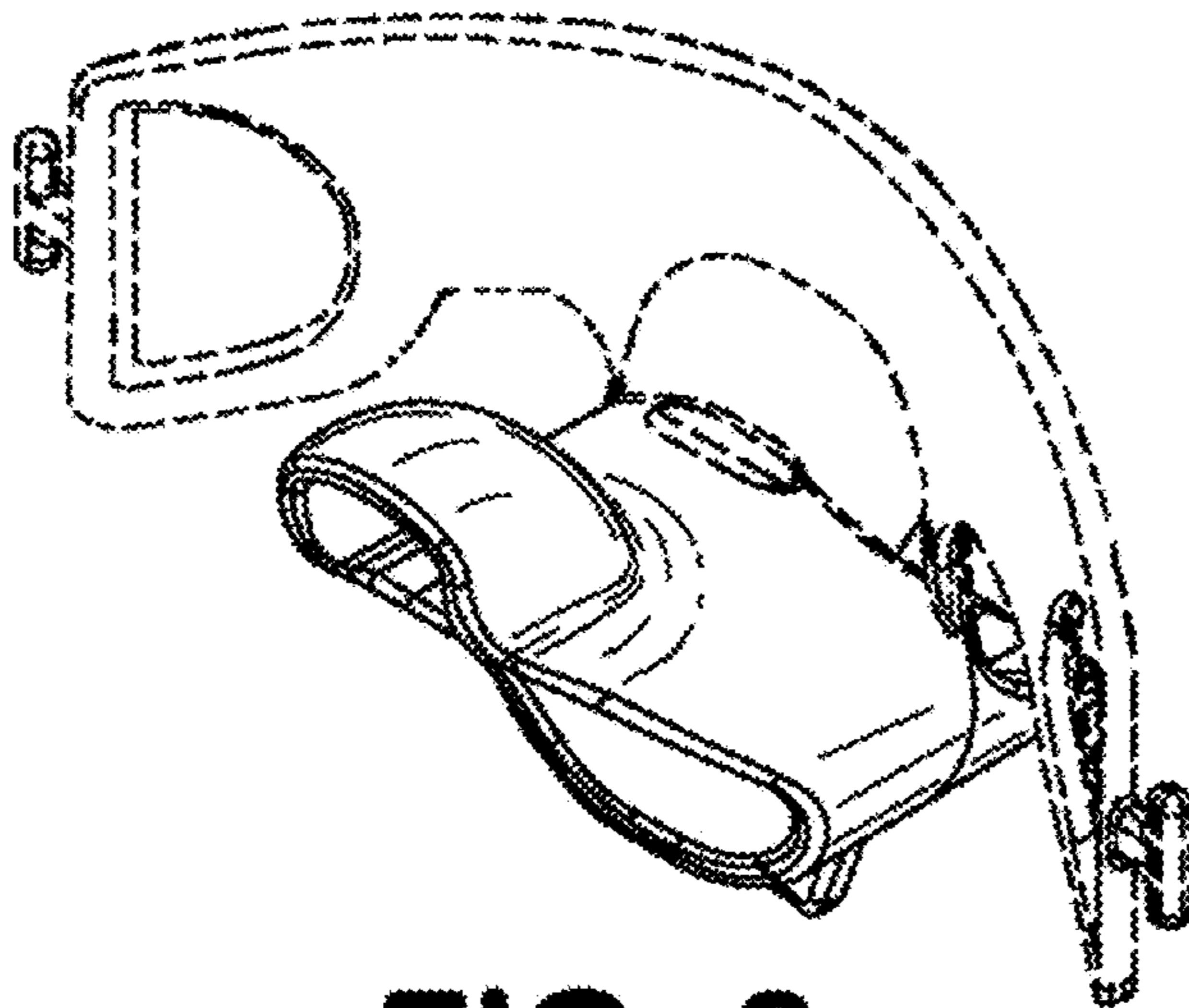


FIG. 6

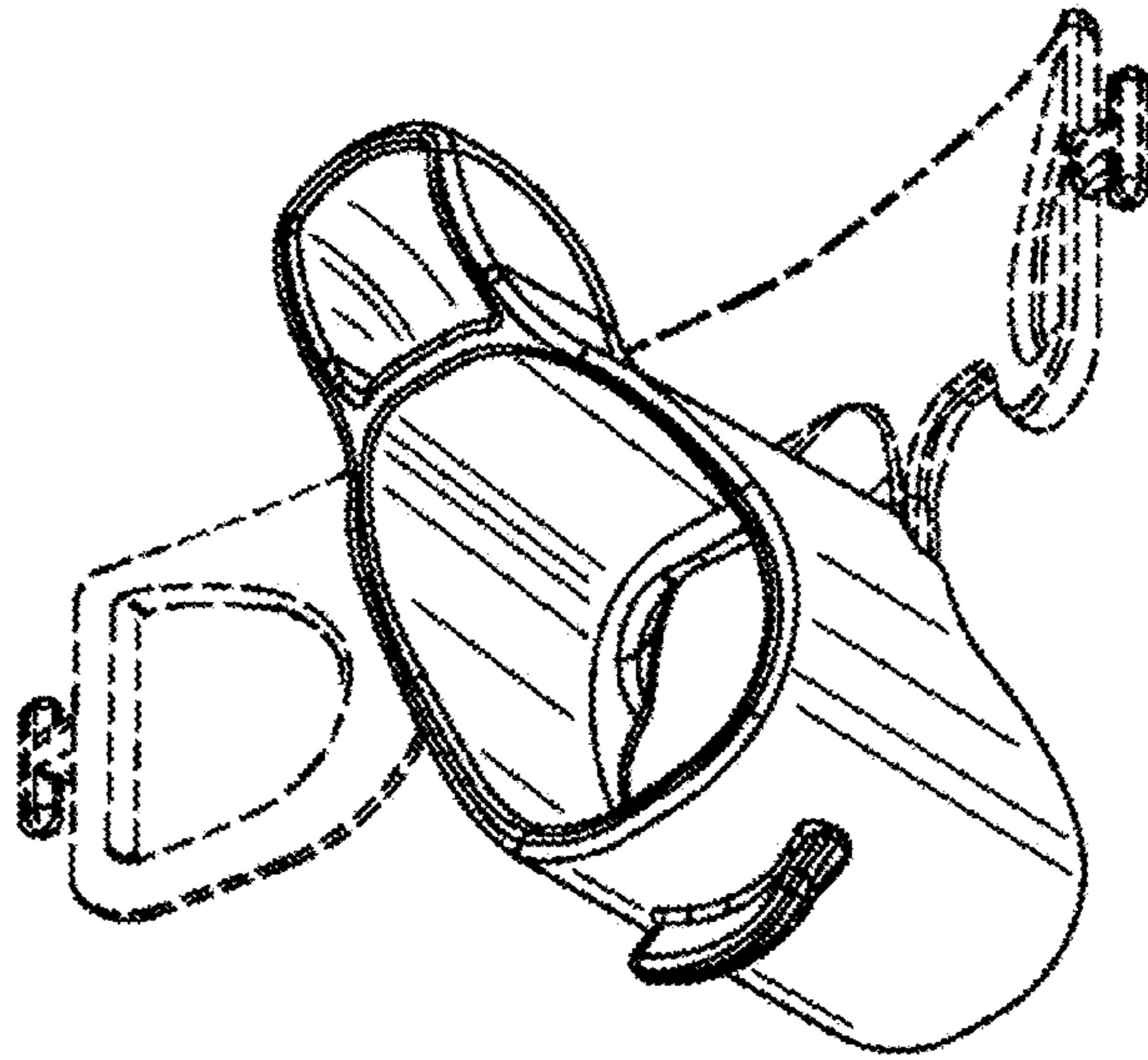


FIG. 7