



US00D754845S

(12) **United States Design Patent**
Duran

(10) **Patent No.:** **US D754,845 S**

(45) **Date of Patent:** **** Apr. 26, 2016**

- (54) **ANESTHESIA MASK WITH INTEGRATED PACIFIER ASSEMBLY**
- (71) Applicant: **Julie J. Duran**, Diamond Bar, CA (US)
- (72) Inventor: **Julie J. Duran**, Diamond Bar, CA (US)
- (**) Term: **14 Years**
- (21) Appl. No.: **29/509,007**
- (22) Filed: **Nov. 13, 2014**
- (51) **LOC (10) Cl.** **29-02**
- (52) **U.S. Cl.**
USPC **D24/110.4**
- (58) **Field of Classification Search**
USPC D24/110, 110.1–110.5, 127; D29/108
CPC A61M 16/0616; A61M 16/0633;
A61M 16/06; A61M 16/0666; A61M 16/0683;
A61M 16/01; A61M 16/0493; A61M 2240/00
See application file for complete search history.

(56) **References Cited**

U.S. PATENT DOCUMENTS

| | | | | | |
|-----------|------|---------|------------------|-------|----------------------------|
| 2,666,432 | A * | 1/1954 | Stanton | | A61M 16/06 128/206.26 |
| D258,994 | S * | 4/1981 | Grane | | D24/110.4 |
| 4,520,809 | A * | 6/1985 | de Greef | | A61M 16/06 128/200.24 |
| D293,613 | S * | 1/1988 | Wingler | | D24/110.1 |
| D302,746 | S * | 8/1989 | Shirley | | D24/110.4 |
| D321,419 | S * | 11/1991 | Wallace | | D24/110.4 |
| D323,908 | S * | 2/1992 | Hollister | | D24/110.1 |
| D343,701 | S | 1/1994 | Dahlstrand | | |
| D347,495 | S * | 5/1994 | Baldwin | | D24/110.1 |
| D349,586 | S * | 8/1994 | Handke | | D24/110.4 |
| 5,375,593 | A * | 12/1994 | Press | | A61M 16/0666 128/207.18 |
| 5,431,158 | A * | 7/1995 | Tirotta | | A61M 16/0488 128/200.26 |
| 5,462,050 | A | 10/1995 | Dahlstrand | | |
| D378,417 | S | 3/1997 | Panagakos et al. | | |
| 6,470,882 | B1 * | 10/2002 | Newhouse | | A61J 9/00 128/200.24 |
| 6,557,548 | B1 * | 5/2003 | Dickson | | A61J 17/00 128/200.24 |
| D499,803 | S * | 12/2004 | Chang | | D24/110.1 |
| 7,243,652 | B2 * | 7/2007 | Chang | | A61M 16/06 128/206.26 |
| 7,318,433 | B2 * | 1/2008 | Cockerham | | A61J 17/00 128/201.26 |

| | | | | | |
|--------------|------|---------|--------------|-------|----------------------------|
| 7,322,351 | B2 * | 1/2008 | Chang | | A62B 9/02 128/202.28 |
| D582,031 | S * | 12/2008 | Sorensen | | D24/110.4 |
| D598,537 | S * | 8/2009 | Nashed | | A61M 16/06 D24/110.1 |
| D615,643 | S * | 5/2010 | Nashed | | A61M 16/06 D24/110.1 |
| 8,291,905 | B2 * | 10/2012 | Moening, Jr. | | A61M 16/06 128/203.29 |
| 8,297,284 | B2 * | 10/2012 | Lee et al. | | A61M 16/0666 128/200.26 |
| 8,651,108 | B2 * | 2/2014 | Albano | | A61J 17/00 128/200.24 |
| 2004/0040556 | A1 * | 3/2004 | Fillyaw | | A61J 17/00 128/202.16 |
| 2005/0188992 | A1 * | 9/2005 | Cockerham | | A61J 17/00 128/206.29 |
| 2005/0263157 | A1 * | 12/2005 | Olsen | | A61J 17/00 128/206.28 |
| 2006/0207600 | A1 * | 9/2006 | Burrow | | A61M 16/06 128/207.11 |
| 2006/0271106 | A1 * | 11/2006 | Su | | A41D 13/11 606/234 |
| 2007/0006882 | A1 * | 1/2007 | Chang | | A62B 9/02 128/205.24 |
| 2007/0295335 | A1 * | 12/2007 | Nashed | | A61M 16/06 128/206.24 |
| 2008/0295845 | A1 * | 12/2008 | Nashed | | A61M 16/06 128/206.26 |
| 2010/0122705 | A1 * | 5/2010 | Moening, Jr. | | A61M 16/009 128/206.24 |
| 2010/0122706 | A1 * | 5/2010 | Moening, Jr. | | A61M 16/06 128/206.24 |
| 2010/0275919 | A1 * | 11/2010 | Sung | | A61M 16/06 128/204.22 |
| 2011/0083670 | A1 * | 4/2011 | Walacavage | | A61M 16/06 128/205.12 |

* cited by examiner

Primary Examiner — Sheryl Lane
Assistant Examiner — Lilyana Bekic
(74) *Attorney, Agent, or Firm* — Crossley Patent Law

(57) **CLAIM**
The ornamental design for an anesthesia mask with integrated pacifier assembly, as shown and described.

DESCRIPTION

FIG. 1 is a front elevation view of an anesthesia mask with integrated pacifier assembly showing my new design;

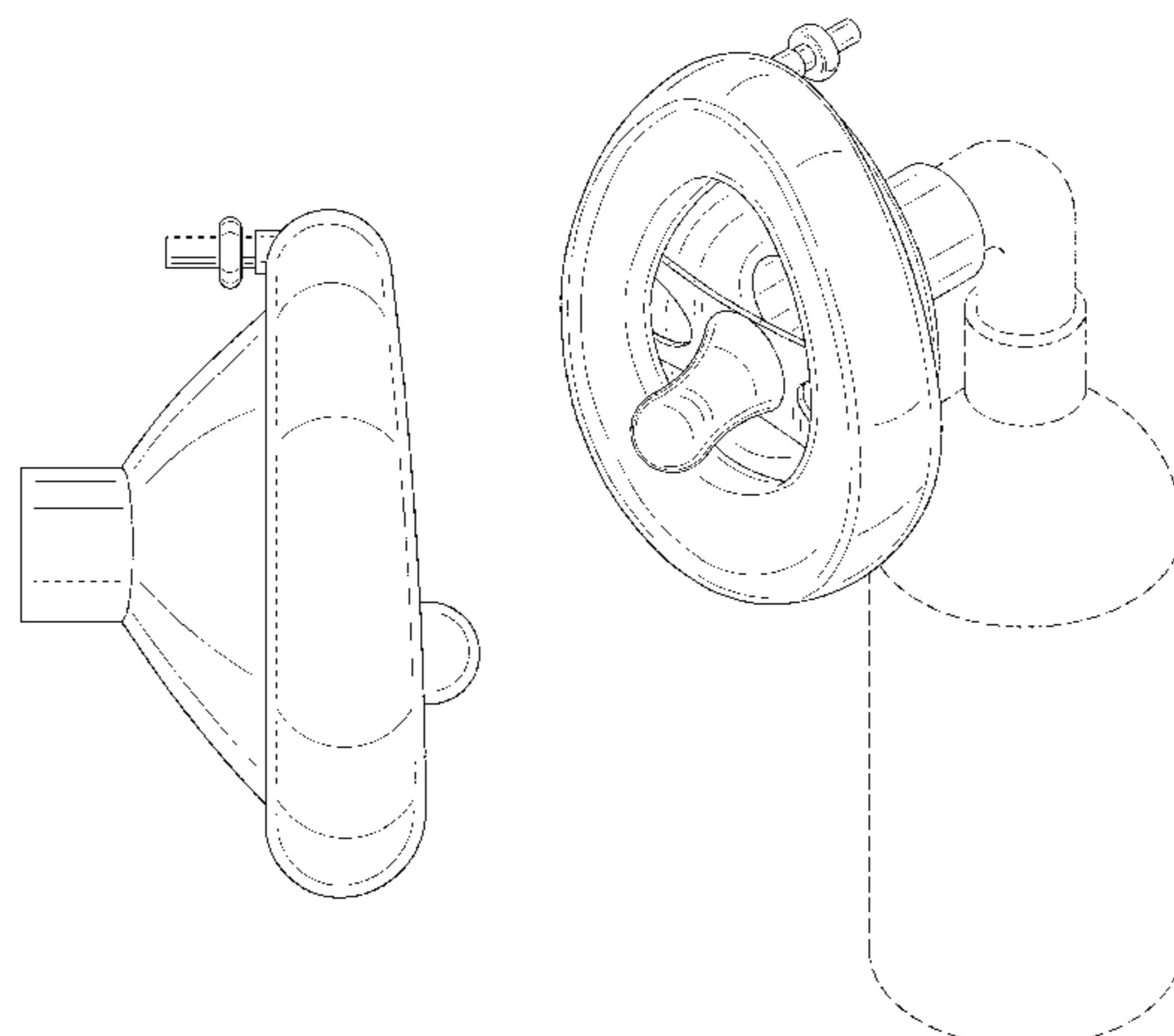


FIG. 2 is a rear elevation view thereof;
FIG. 3 is a right side elevation view thereof, the opposite side being a mirror image;
FIG. 4 is a top plan view thereof;
FIG. 5 is a bottom plan view thereof; and,
FIG. 6 is an isometric view thereof, in a position of use.

The broken line showing of the medical grade gas storage tank in FIG. 6 illustrates the environment of the claimed design and forms no part thereof.
The dash-dot-dash broken lines represent the boundaries of the claimed design and form no part thereof.

1 Claim, 5 Drawing Sheets

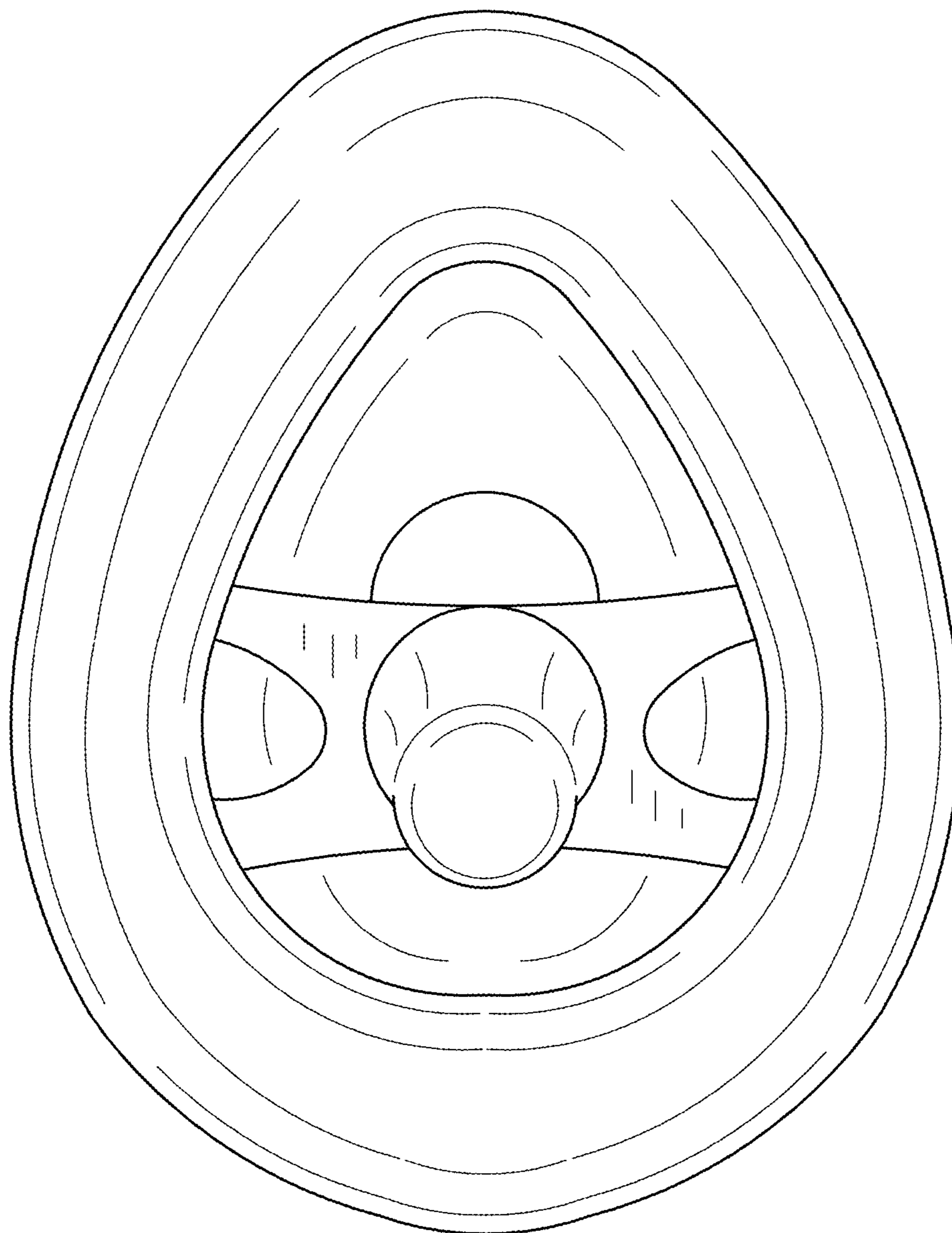


FIG. 1

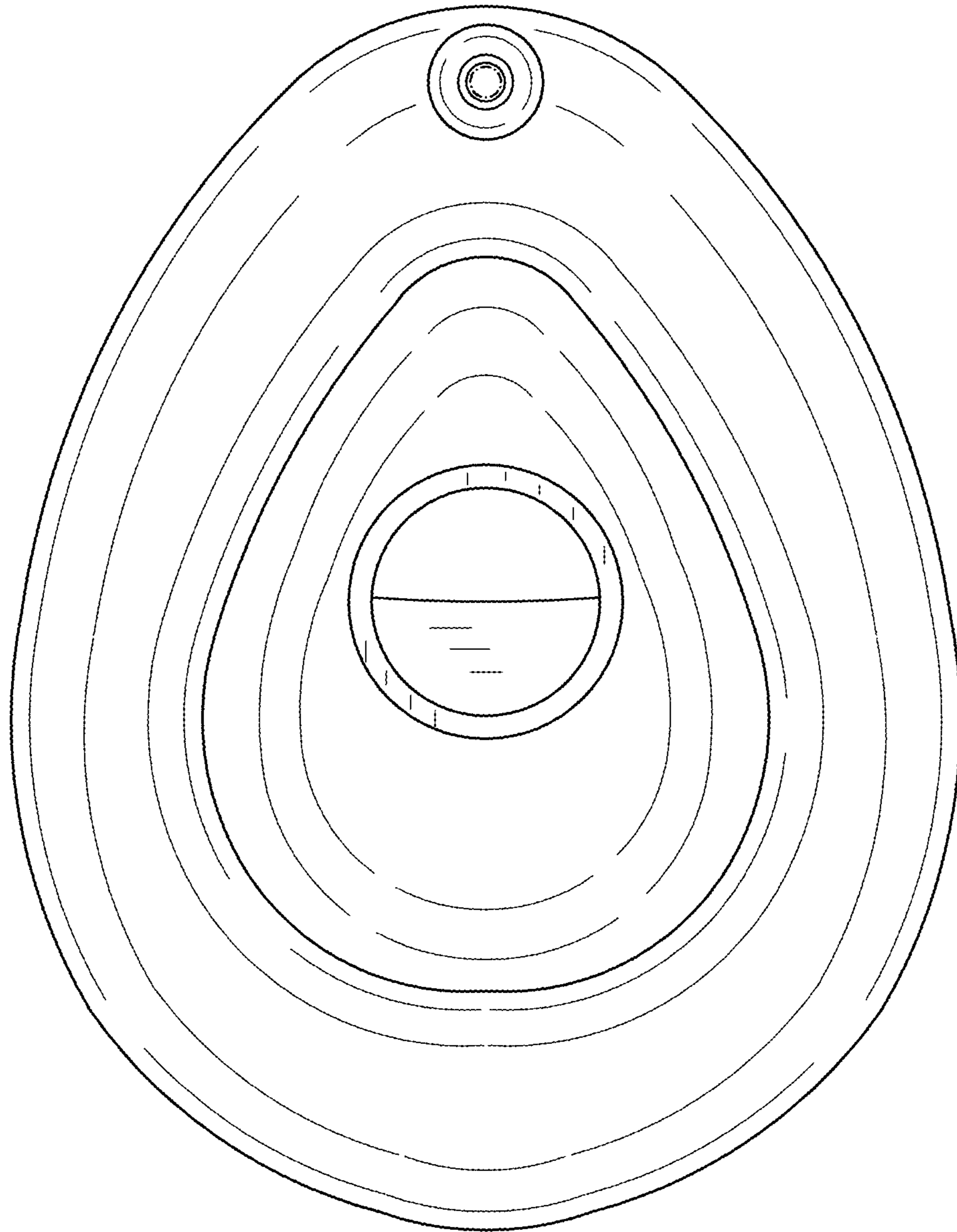


FIG. 2

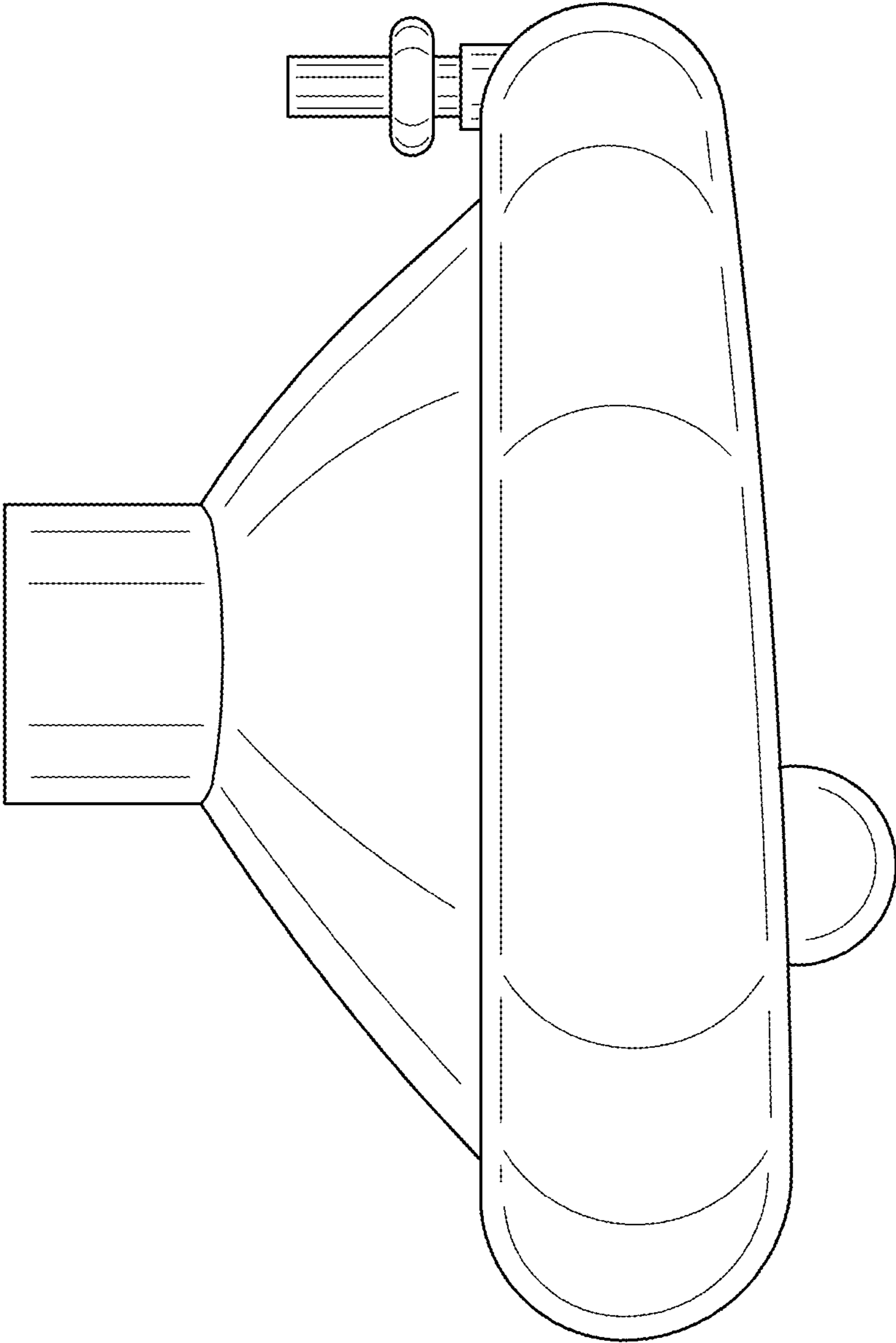


FIG. 3

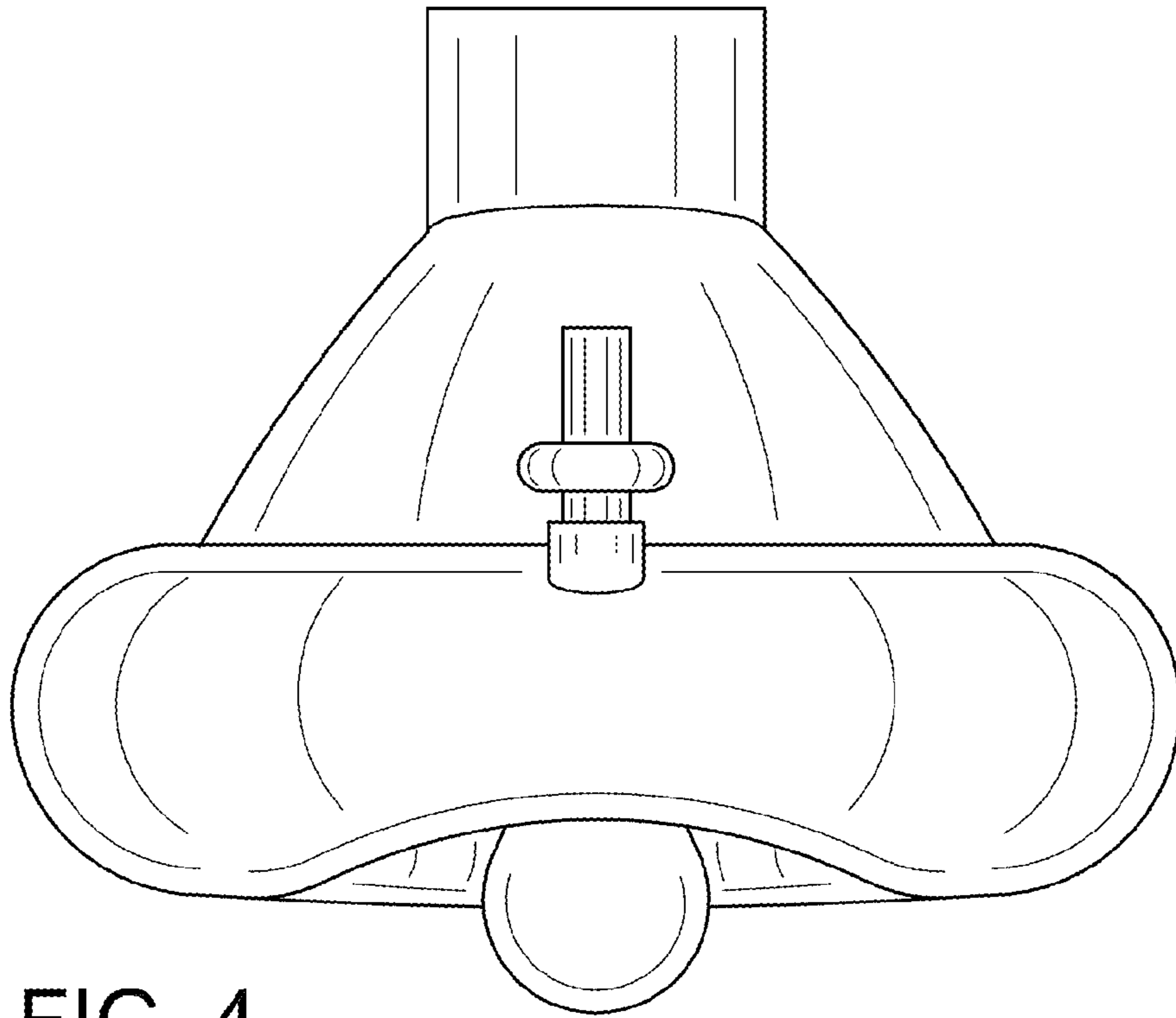


FIG. 4

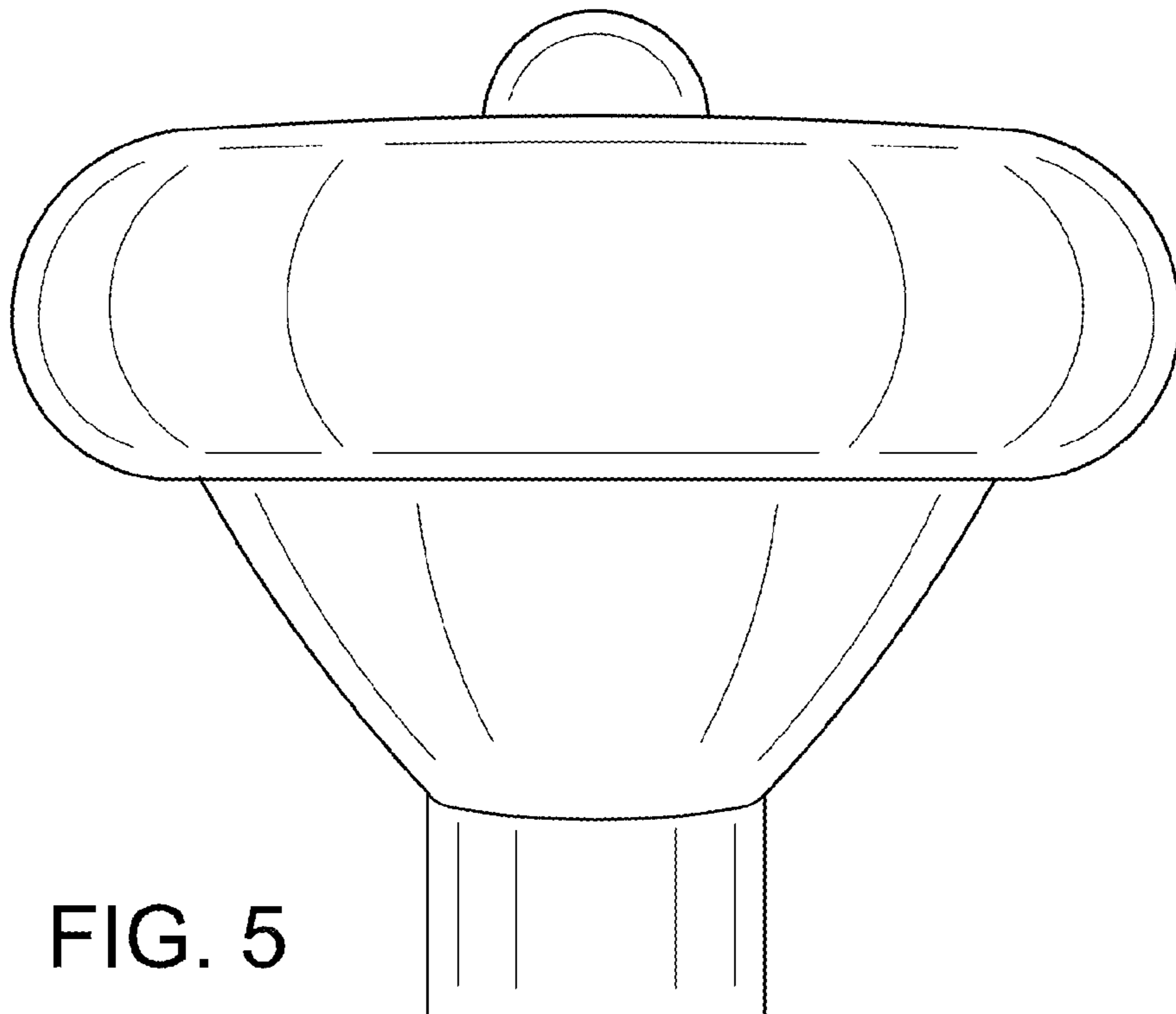


FIG. 5

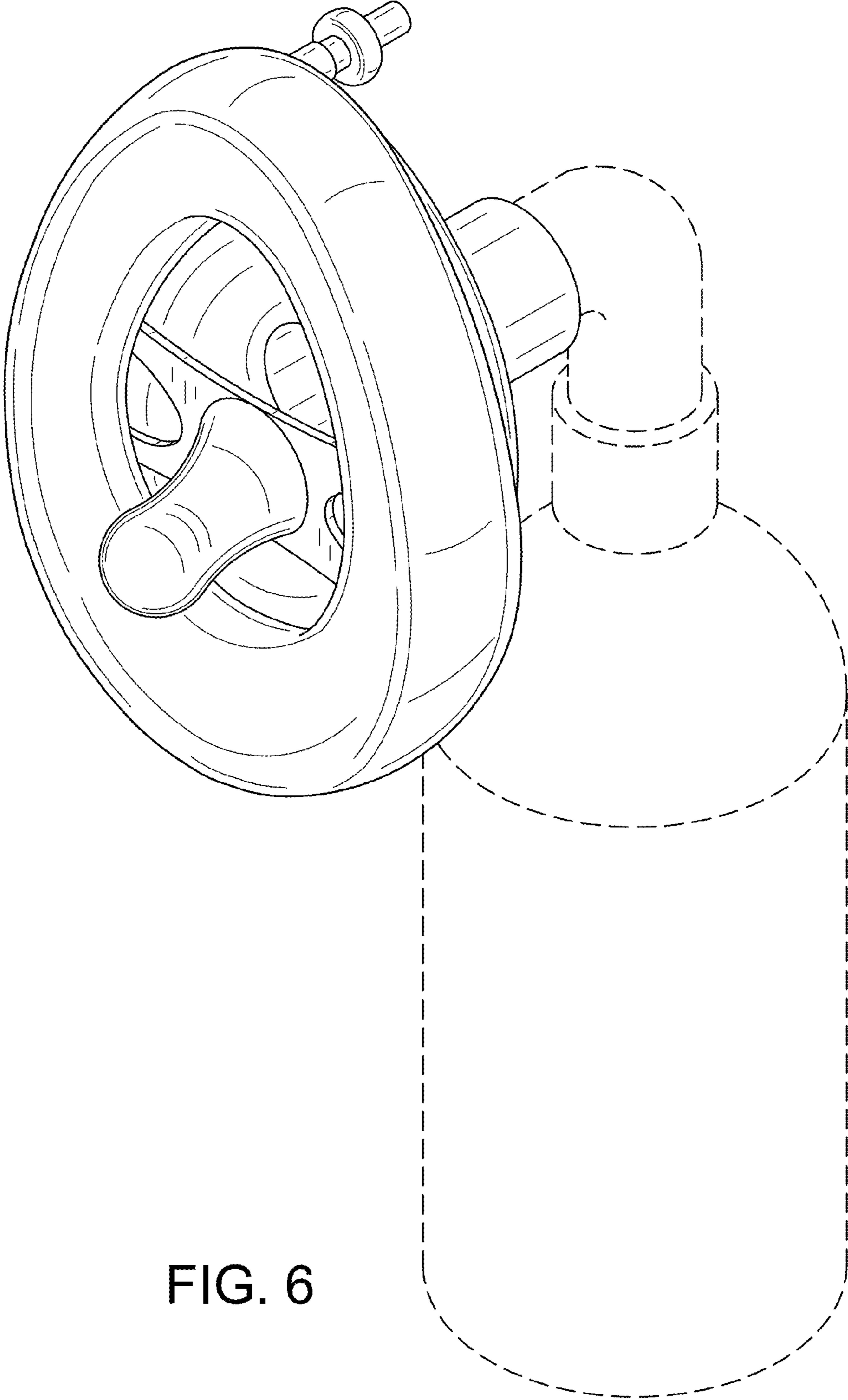


FIG. 6