



US00D754842S

(12) **United States Design Patent**
Sonderegger et al.

(10) **Patent No.:** **US D754,842 S**
(45) **Date of Patent:** **** Apr. 26, 2016**

(54) **INFUSION SET NEEDLE GUARD**

FOREIGN PATENT DOCUMENTS

(71) Applicant: **Becton, Dickinson and Company**,
Franklin Lakes, NJ (US)

EP 1704889 A1 9/2006
EP 2598188 A0 6/2013

(Continued)

(72) Inventors: **Ralph Sonderegger**, Farmington, UT (US); **Ronald Marsh**, Hackettstown, NJ (US); **Charles Hwang**, Wellesley, MA (US); **Stephen Richards**, Holdrege, NE (US); **Victor Politis**, Framingham, MA (US); **Joshua Horvath**, Sparta, NJ (US); **Benjamin Glace**, Dunbarton, NH (US); **Eric Bene**, Lynn, MA (US)

Primary Examiner — Wan Laymon
Assistant Examiner — Mark Booker
(74) *Attorney, Agent, or Firm* — Dickinson Wright PLLC

(73) Assignee: **Becton, Dickinson and Company**,
Franklin Lakes, NJ (US)

(57) **CLAIM**
The ornamental design for an infusion set fluid connector, as shown and described.

(**) Term: **14 Years**

(21) Appl. No.: **29/457,624**

DESCRIPTION

(22) Filed: **Jun. 11, 2013**

Related U.S. Application Data

(63) Continuation-in-part of application No. PCT/US2012/068632, filed on Dec. 7, 2012, and a continuation-in-part of application No. PCT/US2012/068604, filed on Dec. 7, 2012.

FIG. 1 is a top front perspective view of an infusion set fluid connector showing our new design;
FIG. 2 is a top rear perspective view of the infusion set fluid connector shown in FIG. 1;
FIG. 3 is a bottom rear perspective view of the infusion set fluid connector shown in FIG. 1;
FIG. 4 is a top plan view of the infusion set fluid connector shown in FIG. 1;
FIG. 5 is a front elevational view of the infusion set fluid connector shown in FIG. 1;
FIG. 6 is a left side elevational view of the infusion set fluid connector shown in FIG. 1;
FIG. 7 is a right side elevational view of the infusion set fluid connector shown in FIG. 1;
FIG. 8 is a rear elevational view of the infusion set fluid connector shown in FIG. 1; and,
FIG. 9 is a bottom plan view of the infusion set fluid connector shown in FIG. 1.
The ornamental design that is claimed is shown in solid lines in the drawings. The broken lines in the figures represent portions of the infusion set fluid connector that form no part of the claimed design.

(51) **LOC (10) Cl.** **24-01**

(52) **U.S. Cl.**
USPC **D24/108**; D24/111

(58) **Field of Classification Search**
USPC D24/111, 107, 112, 169; 604/7-9, 19, 604/123-125; 606/44, 147, 223; D11/125, D11/130, 130.1; D16/242, 244, 245
CPC A61M 5/00; A61M 5/002; A61M 5/003
See application file for complete search history.

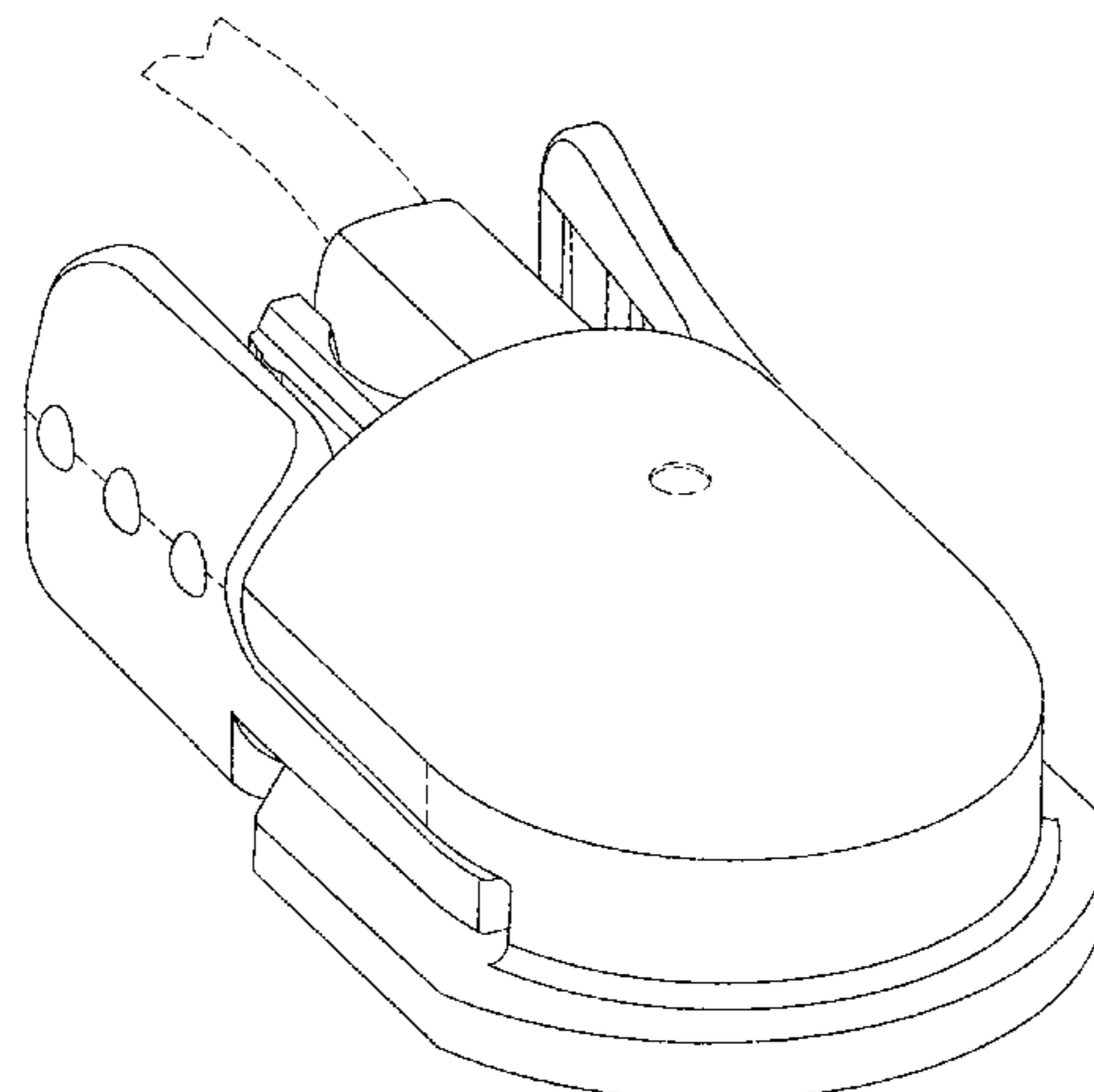
(56) **References Cited**

U.S. PATENT DOCUMENTS

2,928,633 A * 3/1960 Holmes et al. 47/40.5
3,782,671 A * 1/1974 Igwe 248/183.4

(Continued)

1 Claim, 6 Drawing Sheets



(56)

References Cited

U.S. PATENT DOCUMENTS

4,123,091 A 10/1978 Cosentino et al.
 4,311,137 A 1/1982 Gerard
 4,362,156 A 12/1982 Feller et al.
 D269,571 S * 7/1983 Geshwind D11/130.1
 4,752,292 A 6/1988 Lopez et al.
 4,781,680 A * 11/1988 Redmond et al. 604/288.02
 5,137,529 A * 8/1992 Watson et al. 604/891.1
 5,522,803 A 6/1996 Teissen-Simony
 5,688,254 A 11/1997 Lopez et al.
 5,776,116 A 7/1998 Lopez et al.
 5,797,897 A 8/1998 Jepson et al.
 5,810,792 A 9/1998 Fangrow et al.
 5,871,500 A 2/1999 Jepson et al.
 6,056,718 A 5/2000 Funderburk et al.
 6,302,866 B1 10/2001 Marggi
 6,355,021 B1 3/2002 Nielsen et al.
 D461,891 S * 8/2002 Moberg D24/111
 6,605,076 B1 8/2003 Jepson et al.
 6,685,674 B2 2/2004 Douglas et al.
 6,689,100 B2 * 2/2004 Connelly et al. 604/117
 6,702,779 B2 * 3/2004 Connelly et al. 604/93.01
 6,736,797 B1 5/2004 Larsen et al.
 6,840,922 B2 1/2005 Nielsen et al.
 D508,938 S * 8/2005 Murray et al. D16/244
 6,926,694 B2 8/2005 Marano-Ford et al.
 6,949,084 B2 9/2005 Marggi et al.
 D532,436 S * 11/2006 Kruse et al. D16/244
 7,309,326 B2 12/2007 Fangrow et al.
 7,407,493 B2 8/2008 Cane
 D576,267 S * 9/2008 Mogensen et al. D24/108
 7,494,481 B2 2/2009 Moberg et al.
 7,520,867 B2 4/2009 Bowman et al.
 7,594,902 B2 9/2009 Horisberger et al.
 7,699,808 B2 4/2010 Marrs et al.
 7,731,680 B2 * 6/2010 Patton 604/93.01
 7,731,691 B2 6/2010 Cote et al.
 D620,491 S * 7/2010 Wu D14/411
 7,850,658 B2 12/2010 Faust et al.
 7,879,010 B2 2/2011 Hunn et al.
 7,892,216 B2 2/2011 Fangrow et al.
 8,105,279 B2 * 1/2012 Mernoe et al. 604/131
 8,152,771 B2 4/2012 Mogensen et al.
 D659,177 S * 5/2012 Chan D16/242
 8,221,361 B2 * 7/2012 Patton 604/244
 D684,685 S * 6/2013 Schneider et al. D24/111

D685,083 S * 6/2013 Schneider et al. D24/108
 8,469,929 B2 * 6/2013 Hunn et al. 604/164.01
 8,771,227 B2 * 7/2014 Connelly et al. 604/131
 8,801,660 B2 * 8/2014 Hunn et al. 604/93.01
 8,827,957 B2 * 9/2014 Searle et al. 604/131
 2002/0173774 A1 * 11/2002 Olsen 604/891.1
 2003/0220610 A1 * 11/2003 Lastovich et al. 604/47
 2005/0038378 A1 * 2/2005 Lastovich et al. 604/47
 2007/0088271 A1 * 4/2007 Richards 604/151
 2007/0191771 A1 8/2007 Moyer
 2007/0191772 A1 8/2007 Wojcik
 2007/0244448 A1 * 10/2007 Lastovich et al. 604/264
 2008/0249471 A1 10/2008 DeStefano et al.
 2008/0281297 A1 * 11/2008 Pesach et al. 604/890.1
 2008/0287874 A1 * 11/2008 Elmouelhi 604/154
 2009/0069752 A1 * 3/2009 Raj et al. 604/192
 2009/0076453 A1 3/2009 Mejlhede et al.
 2009/0082734 A1 * 3/2009 Walters et al. 604/165.01
 2009/0143763 A1 6/2009 Wyss et al.
 2009/0299289 A1 * 12/2009 Kamen et al. 604/151
 2011/0213340 A1 9/2011 Howell et al.
 2011/0313357 A1 * 12/2011 Skutnik et al. 604/151
 2012/0123344 A1 5/2012 Hornig et al.
 2013/0006216 A1 * 1/2013 Taylor et al. 604/506
 2013/0281974 A1 * 10/2013 Kamen et al. 604/506
 2014/0039453 A1 * 2/2014 Sonderegger 604/506
 2014/0039458 A1 * 2/2014 Constantineau et al. 604/508
 2014/0058353 A1 * 2/2014 Politis et al. 604/506
 2014/0074033 A1 * 3/2014 Sonderegger et al. ... 604/167.02
 2014/0074037 A1 * 3/2014 Bornhoft 604/180
 2014/0088509 A1 * 3/2014 Sonderegger et al. 604/157
 2014/0088549 A1 * 3/2014 Cole et al. 604/506
 2014/0088550 A1 * 3/2014 Bene et al. 604/506
 2014/0100544 A1 * 4/2014 Hwang 604/506
 2014/0135696 A1 * 5/2014 Ruan et al. 604/111
 2014/0276416 A1 * 9/2014 Nelson et al. 604/151
 2014/0276576 A1 * 9/2014 Cole et al. 604/506
 2014/0316379 A1 * 10/2014 Sonderegger et al. 604/506

FOREIGN PATENT DOCUMENTS

WO WO-03026728 A1 4/2003
 WO WO-2006062680 A1 6/2006
 WO WO-2006097111 A3 9/2006
 WO WO-2008092958 A2 8/2008
 WO WO-2009139857 A1 11/2009

* cited by examiner

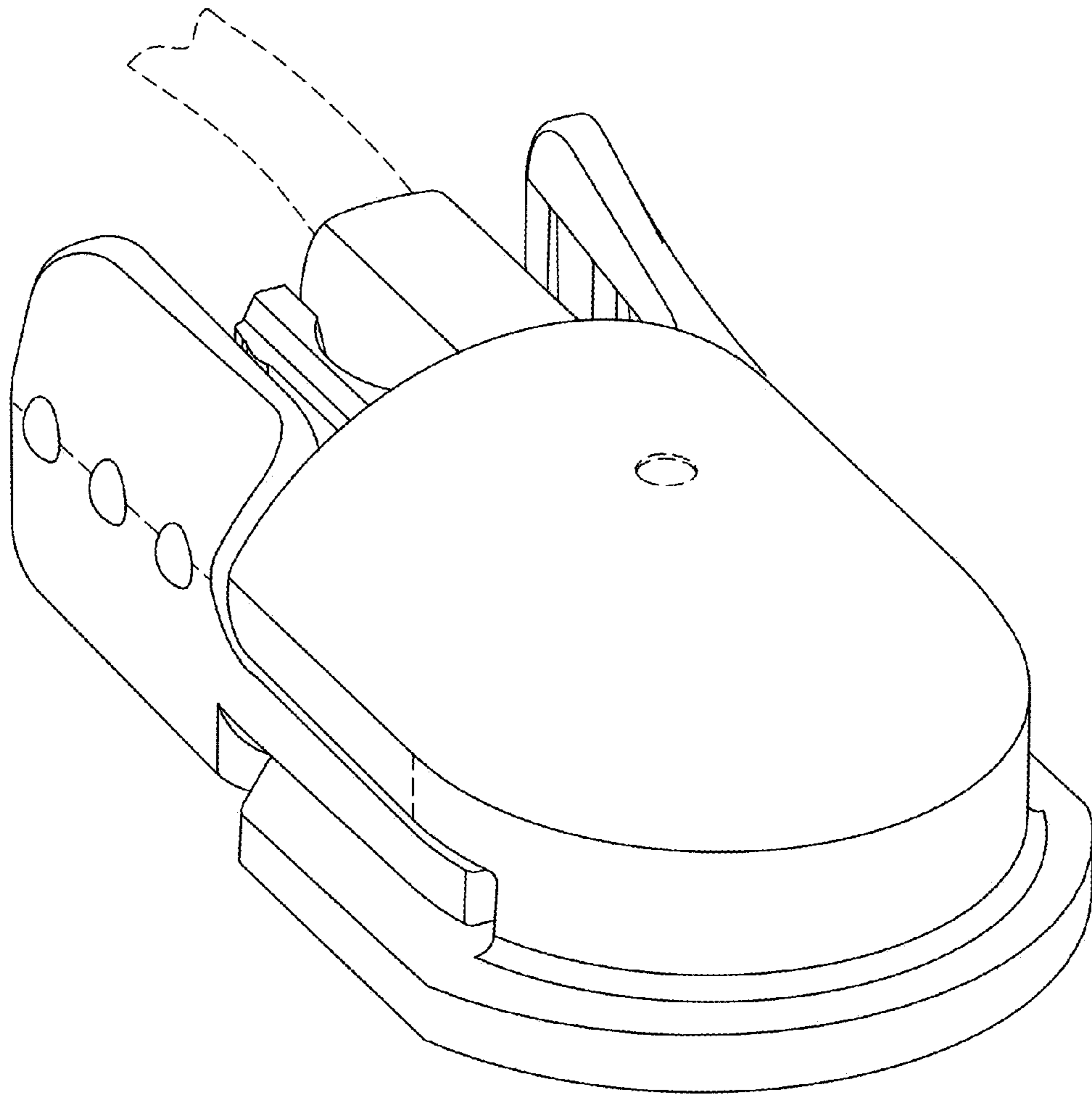


FIG. 1

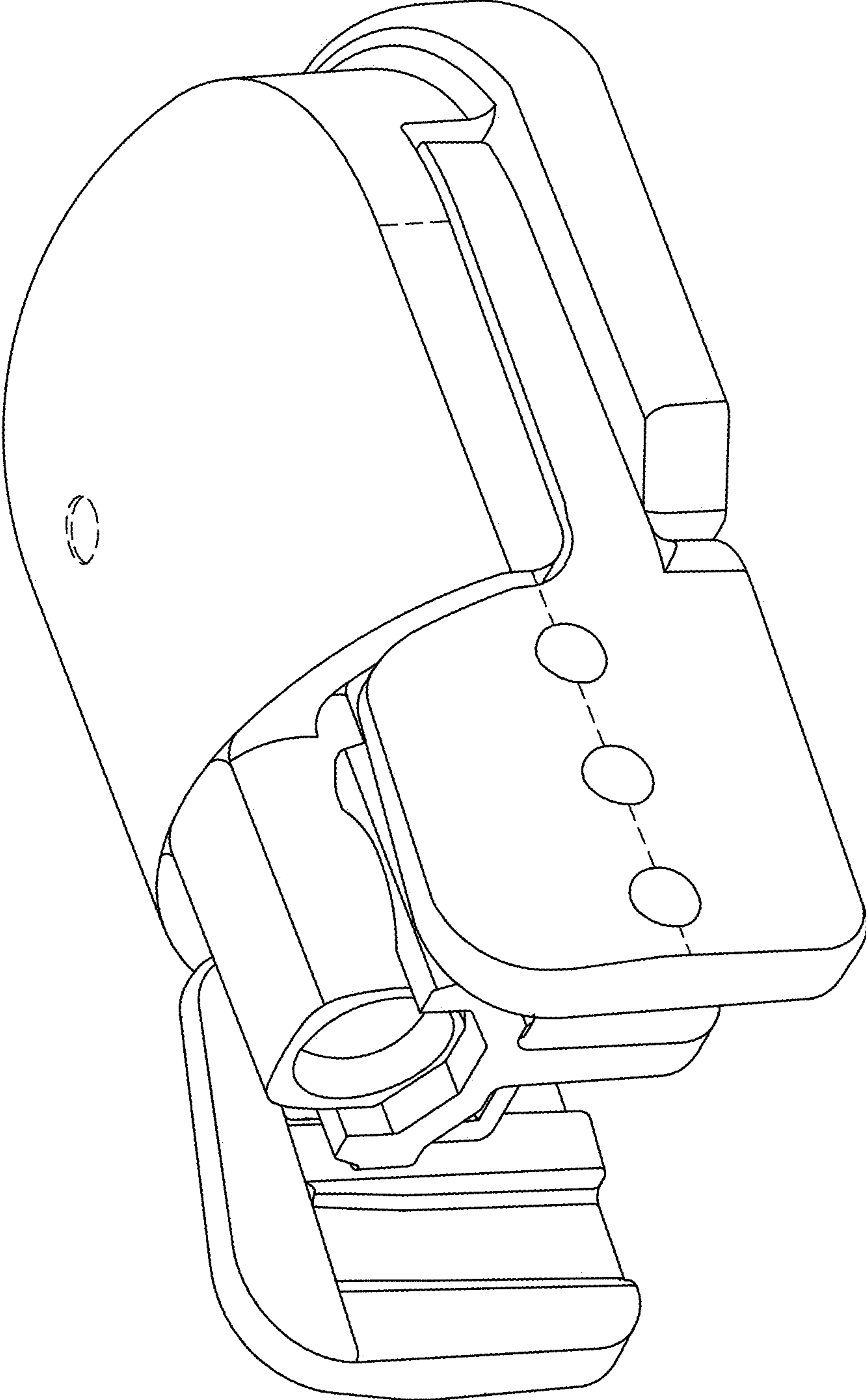


FIG.2

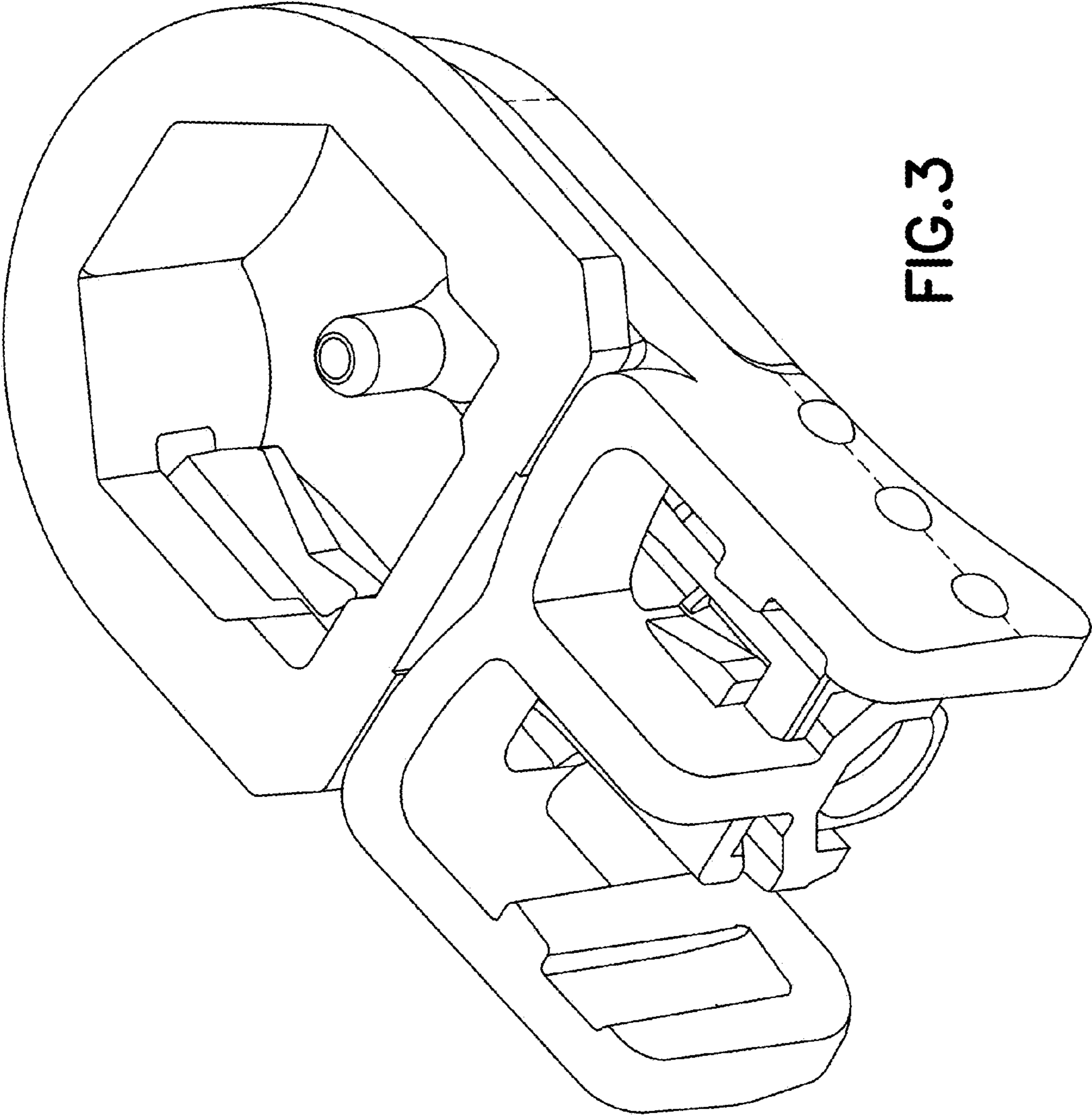


FIG. 3

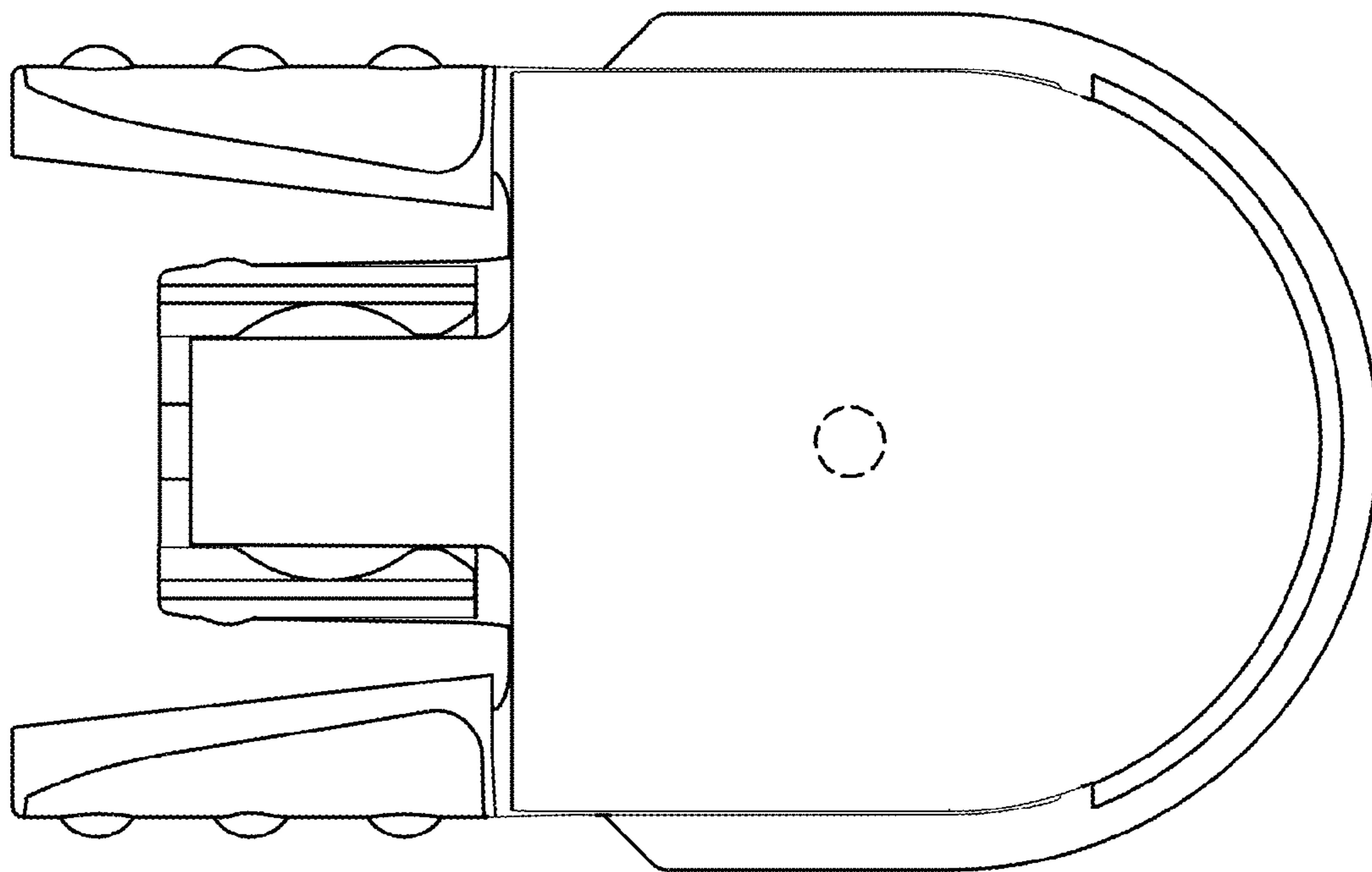


FIG. 4

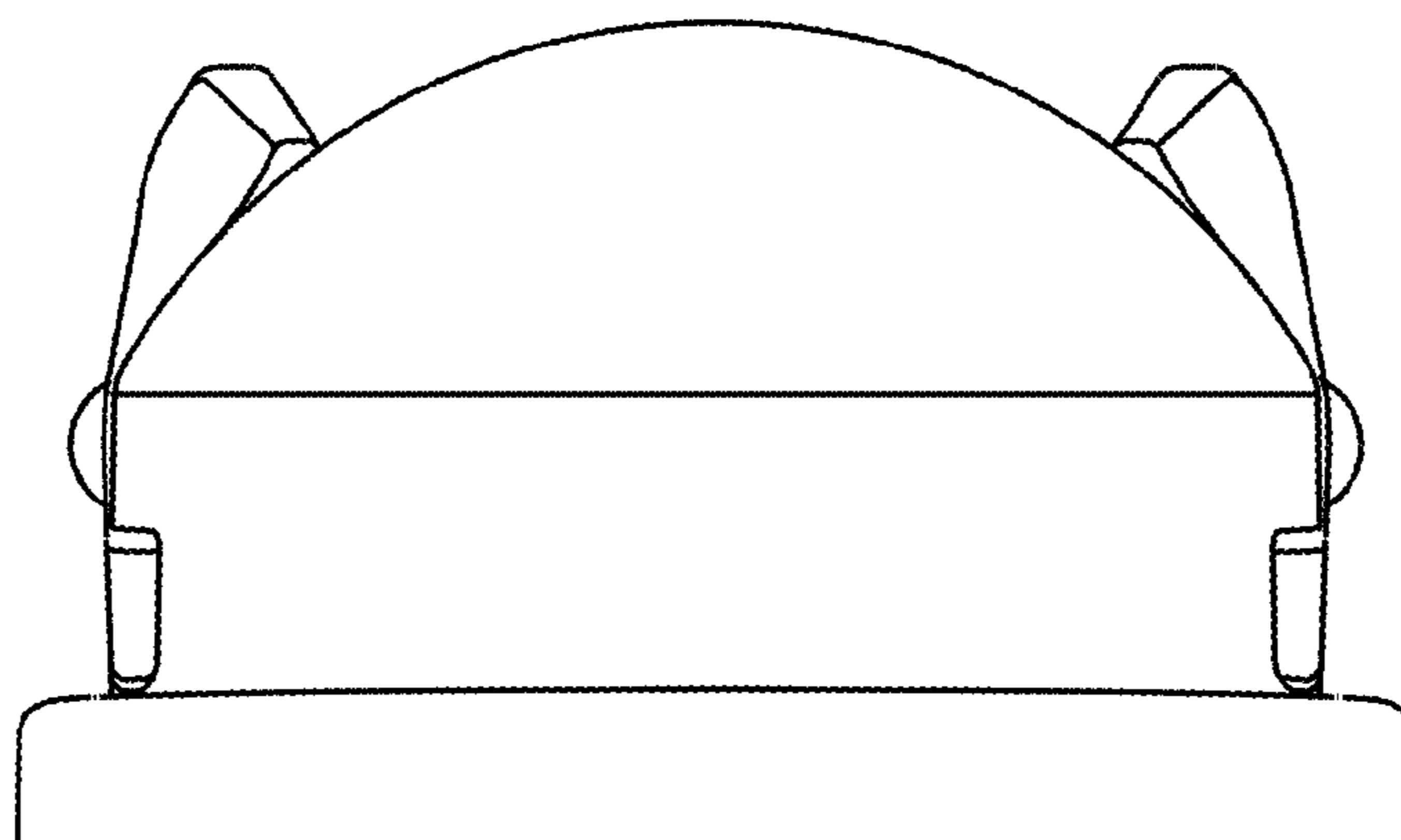


FIG. 5

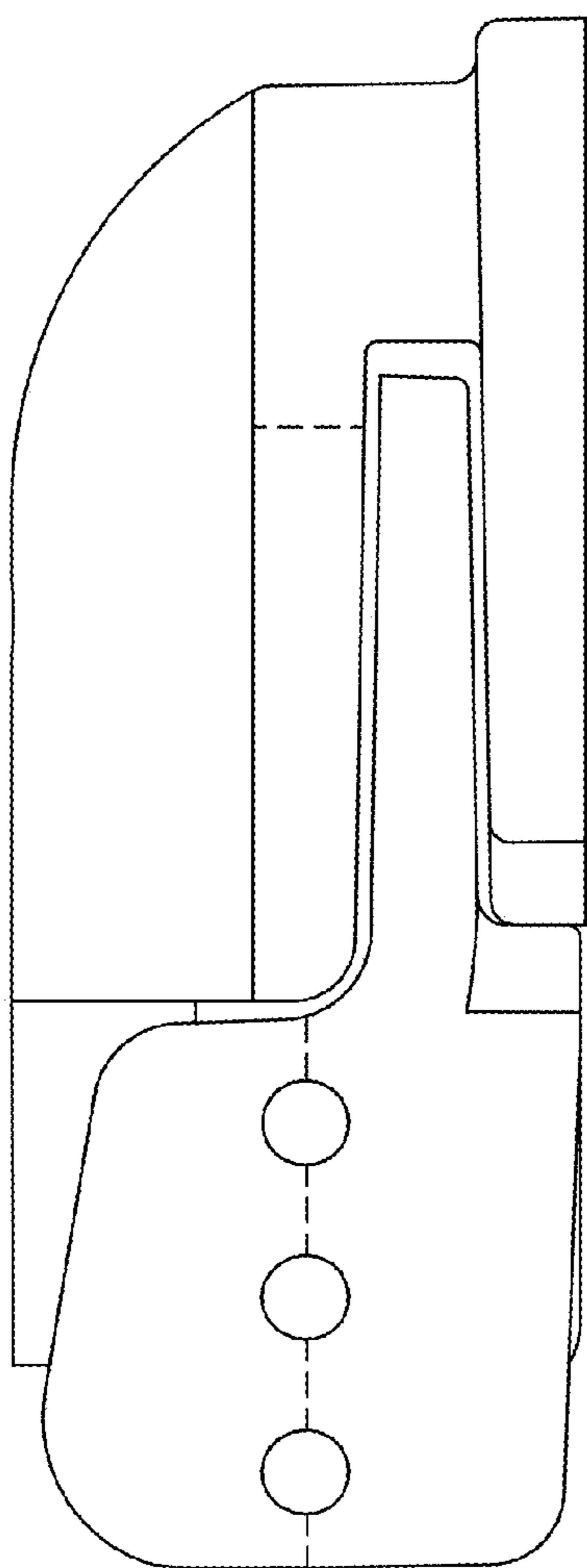


FIG. 6

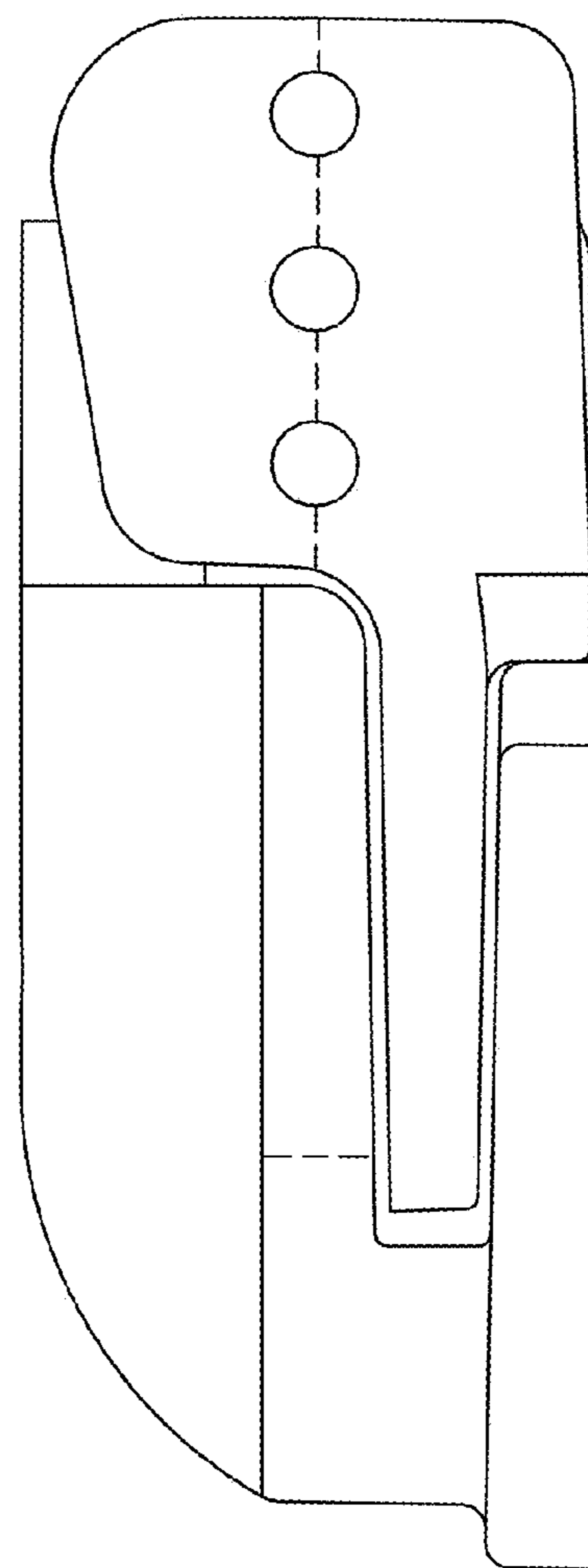


FIG. 7

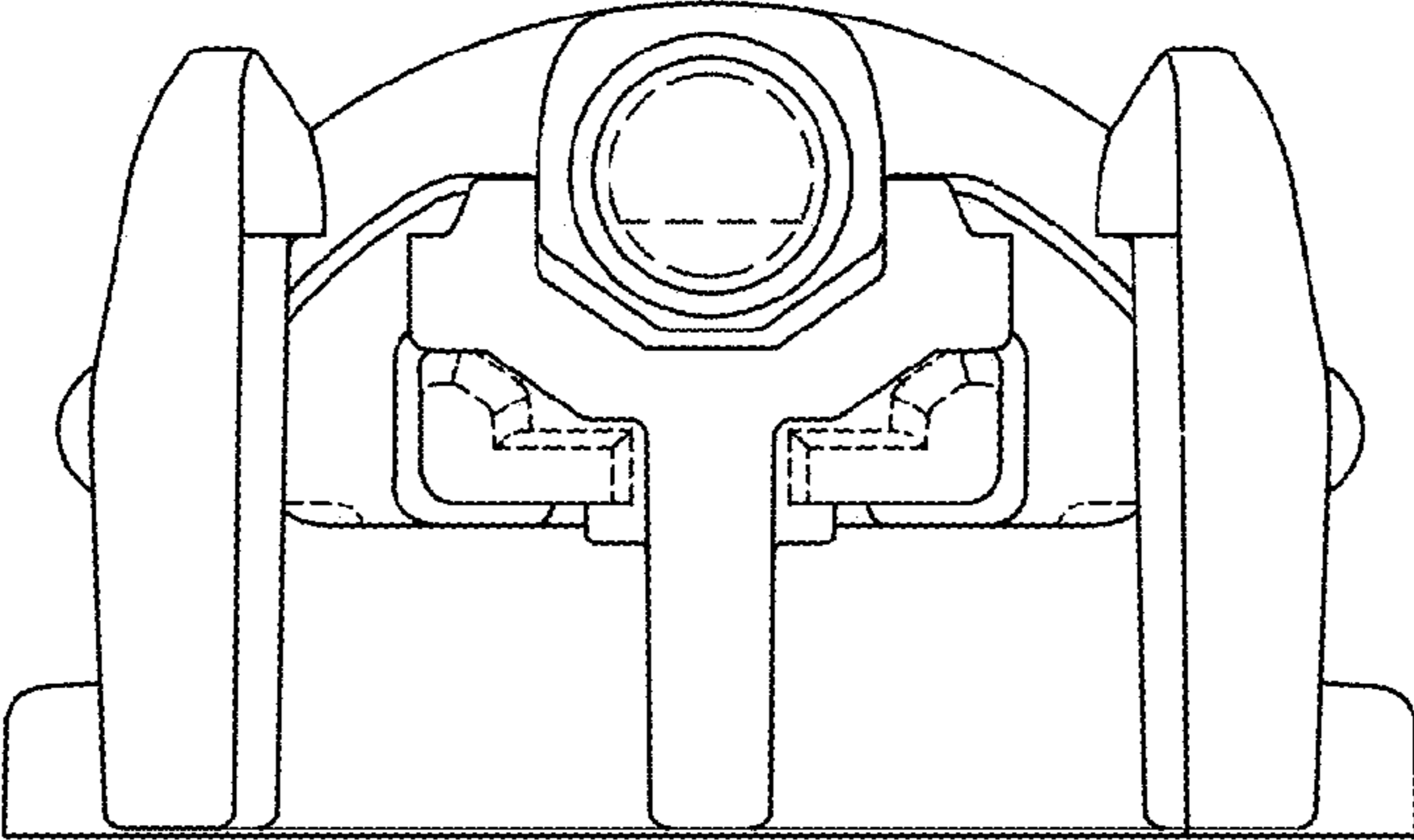


FIG. 8

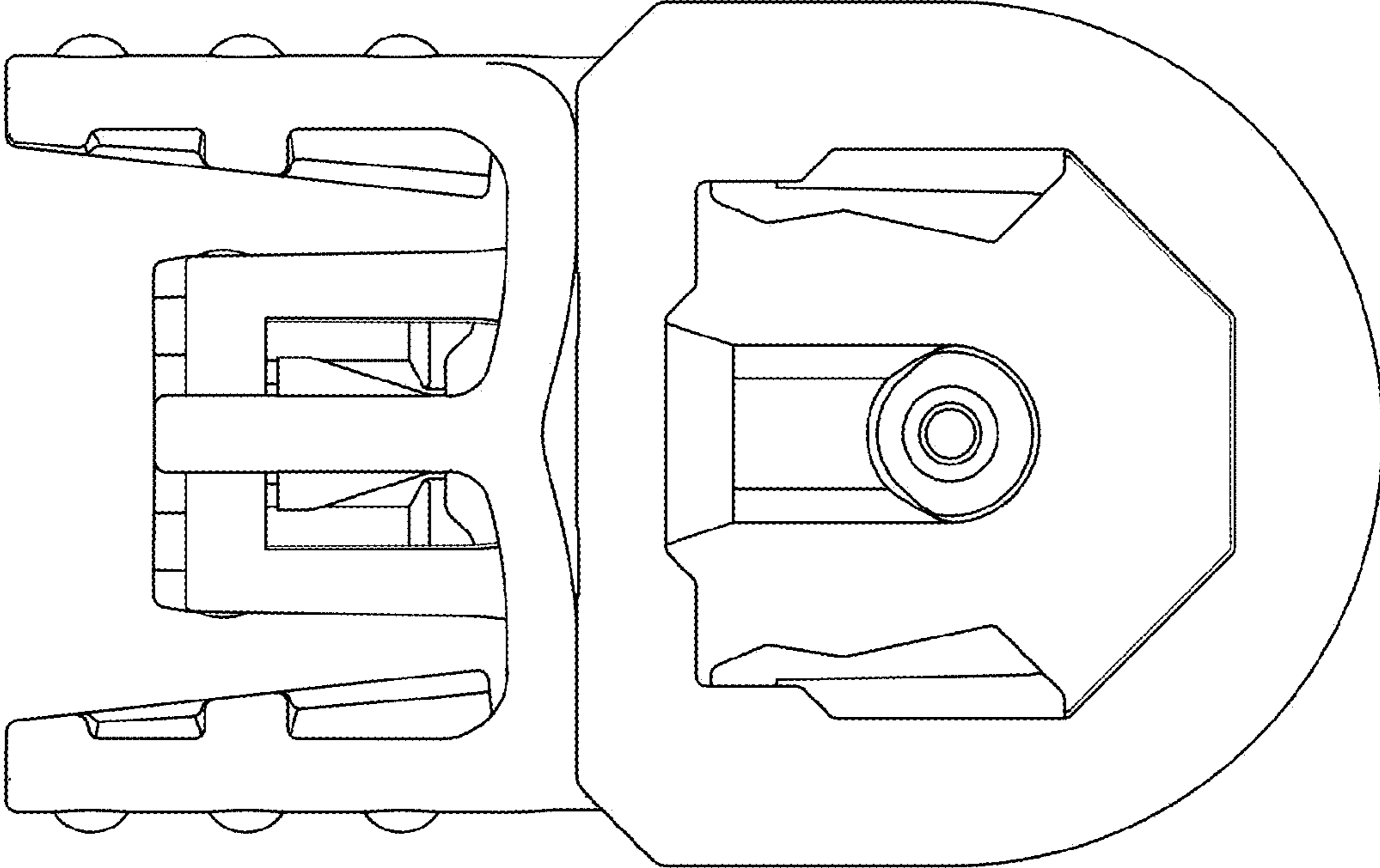


FIG. 9