



US00D754841S

(12) **United States Design Patent**  
**Waldman et al.**

(10) **Patent No.:** **US D754,841 S**  
(45) **Date of Patent:** **\*\* Apr. 26, 2016**

- (54) **ORAL DOSAGE FORM**
- (75) Inventors: **Joel Waldman**, Chalfont, PA (US);  
**Fernanda Franzoi**, São Paulo (BR)
- (73) Assignees: **Johnson & Johnson Consumer Inc.**,  
Skillman, NJ (US); **Johnson & Johnson**  
**Industrial LTDA**, Sao Paulo (BR)
- (\*\*) Term: **14 Years**

D535,016 S *	1/2007	Stawski et al. ....	D24/101
7,169,450 B2	1/2007	Bunick	
D549,724 S *	8/2007	Nijjima .....	D14/491
D549,725 S *	8/2007	Nijjima .....	D14/491
D564,086 S *	3/2008	Nielsen et al. ....	D24/101
D636,865 S *	4/2011	Vepuri .....	D24/103
D667,430 S *	9/2012	Ouilhet et al. ....	D14/489
D671,636 S *	11/2012	Nishino .....	D24/101
D685,460 S *	7/2013	Illing et al. ....	D24/101
2004/0146559 A1	7/2004	Sowden et al.	
2007/0098931 A1	5/2007	Bunick	
2008/0317678 A1	12/2008	Szymczak et al.	

- (21) Appl. No.: **29/412,547**
  - (22) Filed: **Feb. 3, 2012**
  - (51) **LOC (10) Cl.** ..... **24-01**
  - (52) **U.S. Cl.**  
USPC ..... **D24/101**
  - (58) **Field of Classification Search**  
USPC ..... D24/100-104; D1/100, 127, 130;  
D23/207, 208; 604/287, 288, 403;  
206/1.5, 528, 530-539; 424/10.2, 10.3,  
424/408, 438, 439, 451, 472, 473, 475,  
424/453-456, 464-469
- See application file for complete search history.

**FOREIGN PATENT DOCUMENTS**

WO D 000679089 8/2007

\* cited by examiner

*Primary Examiner* — Susan Hattan  
*Assistant Examiner* — Charles Hanson  
(74) *Attorney, Agent, or Firm* — Victor Tsu

(57) **CLAIM**  
The ornamental design for an oral dosage form, as shown and described.

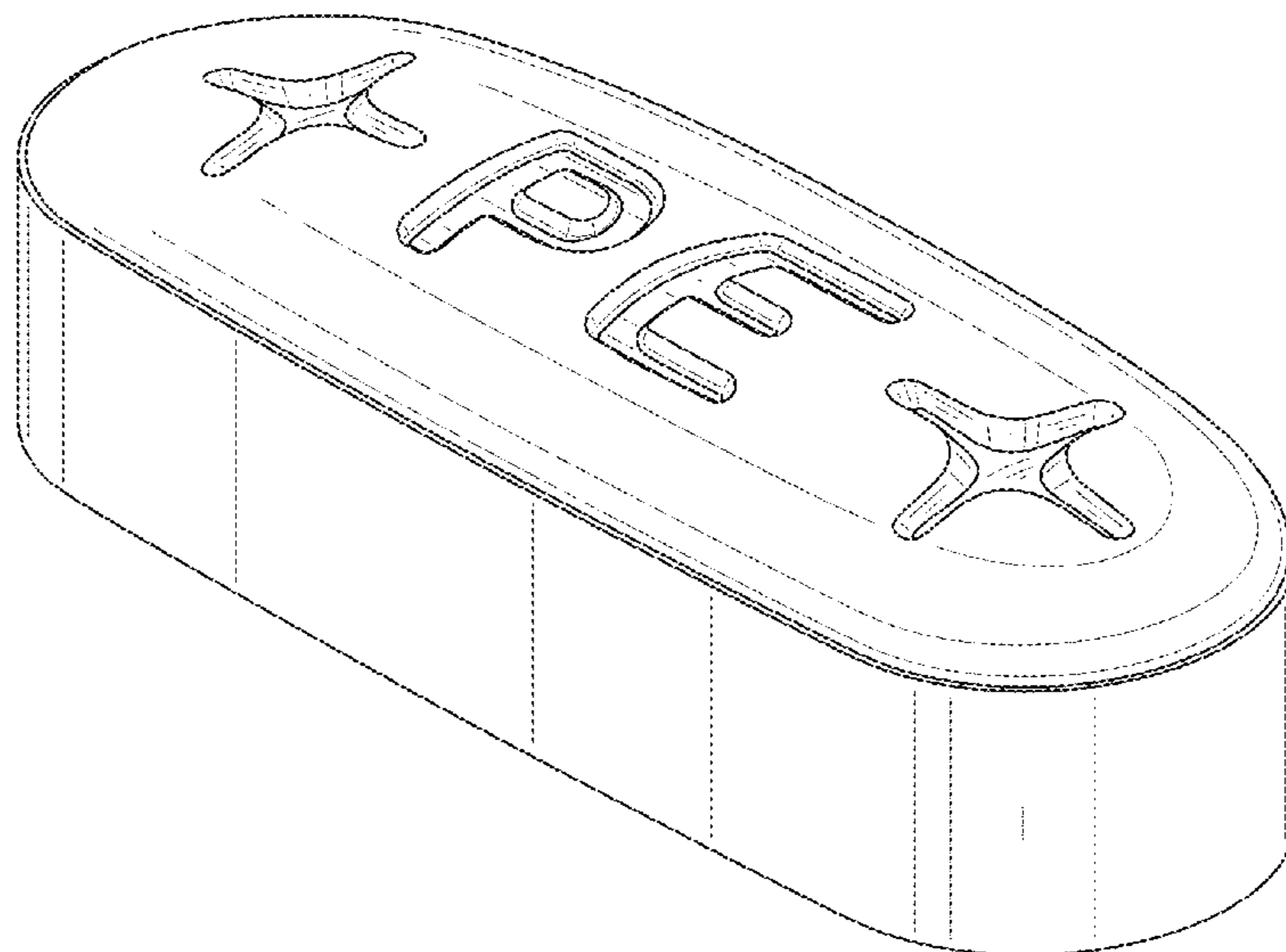
**DESCRIPTION**

FIG. 1 is a front right bottom perspective view of an oral dosage form, showing our claimed design;  
FIG. 2 is a front plan view of the oral dosage form of FIG. 1;  
FIG. 3 is a back plan view of the oral dosage form of FIG. 1;  
FIG. 4 is a left end view of the oral dosage form of FIG. 1;  
FIG. 5 is a right end view of the oral dosage form of FIG. 1;  
FIG. 6 is a top end view of the oral dosage form of FIG. 1;  
FIG. 7 is a bottom end view of the oral dosage form of FIG. 1;  
FIG. 8 is a front, left, top perspective view of the oral dosage form of FIG. 1;  
FIG. 9 is a cross-sectional view along line 9-9 of FIG. 2; and,  
FIG. 10 is a cross-sectional view along line 10-10 of FIG. 2.

**1 Claim, 6 Drawing Sheets**

(56) **References Cited**  
U.S. PATENT DOCUMENTS

3,281,620 A *	10/1966	Miller .....	313/113
4,503,031 A *	3/1985	Glassman .....	424/467
D285,364 S *	8/1986	Tovey .....	D24/101
D304,626 S *	11/1989	Contractor et al. ....	D24/102
D334,420 S *	3/1993	Gladfelter et al. ....	D23/207
D334,421 S *	3/1993	Gladfelter et al. ....	D23/207
D377,977 S *	2/1997	Price et al. ....	D24/101
D431,076 S	9/2000	Chen et al.	
D434,846 S *	12/2000	Chen et al. ....	D24/102
D459,798 S *	7/2002	Desesquelle et al. ....	D24/101
D506,544 S *	6/2005	Rinker et al. ....	D24/101
D515,202 S *	2/2006	Chen et al. ....	D24/102
D534,646 S *	1/2007	Chang et al. ....	D24/101



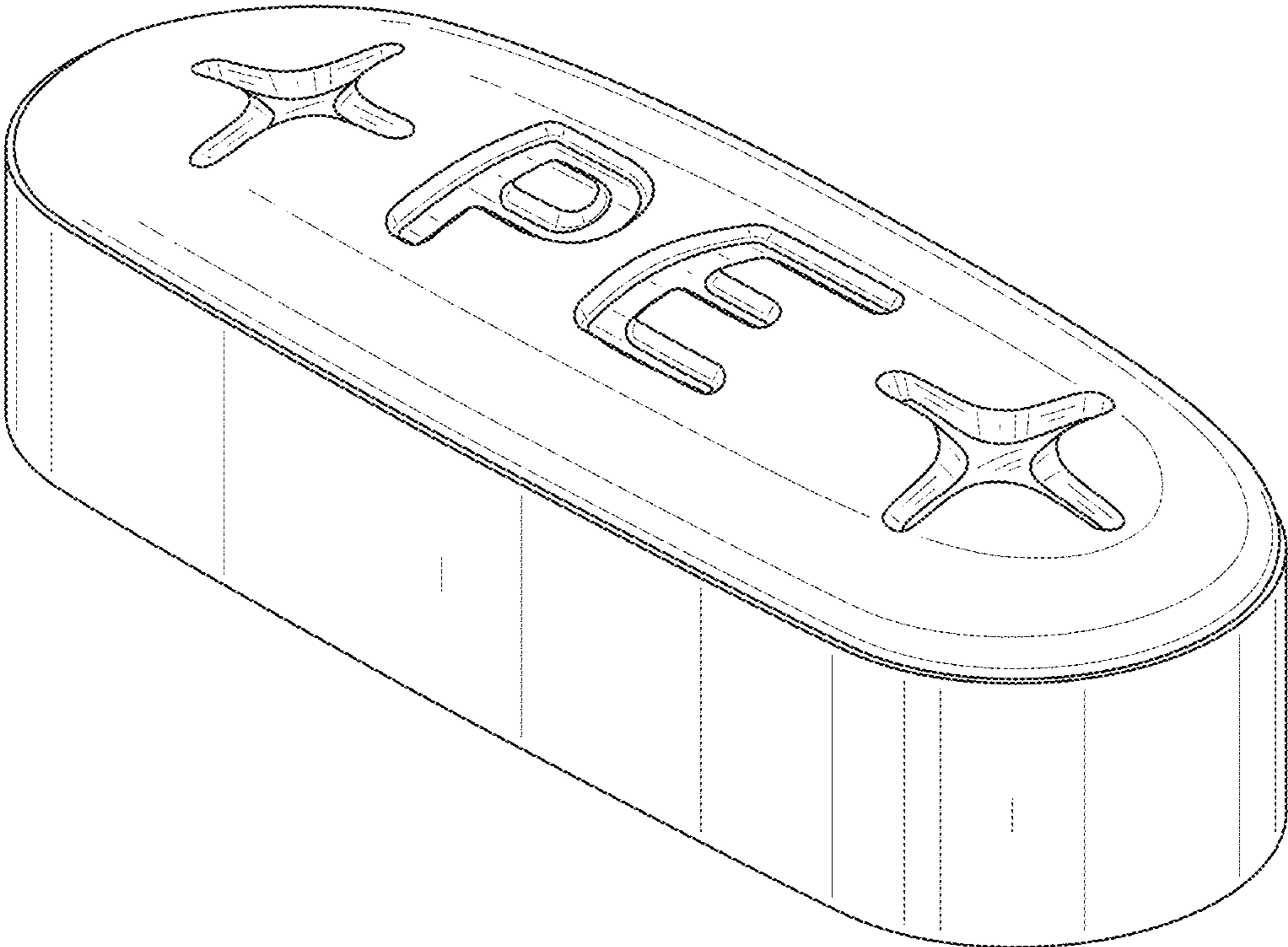


FIG. 1

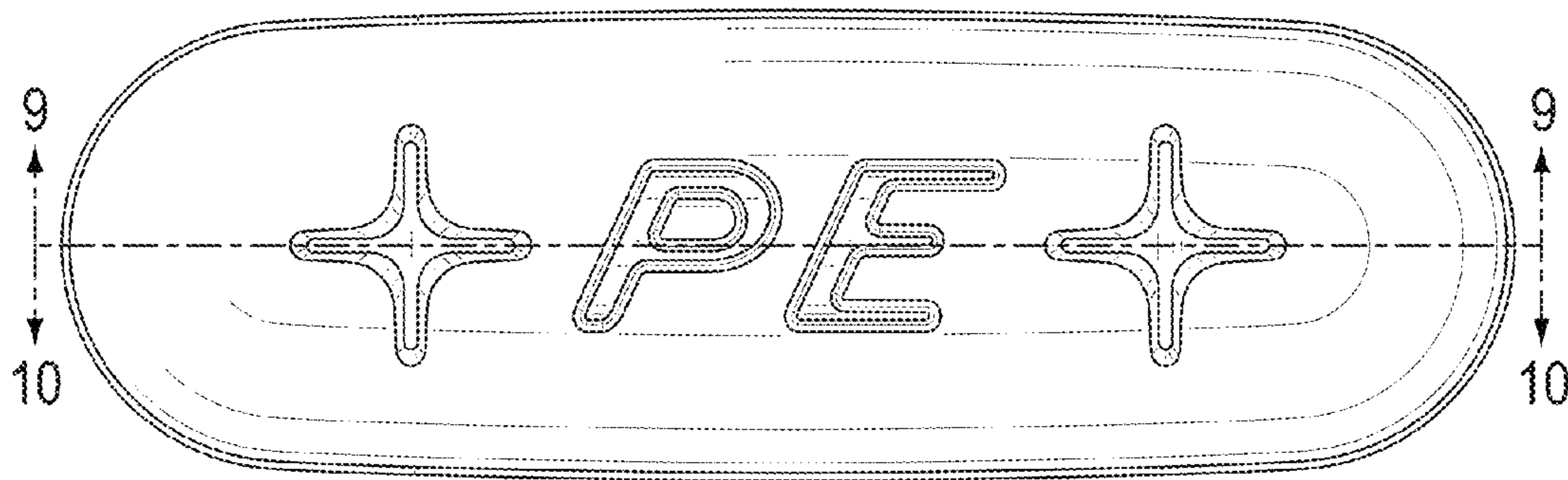


FIG. 2

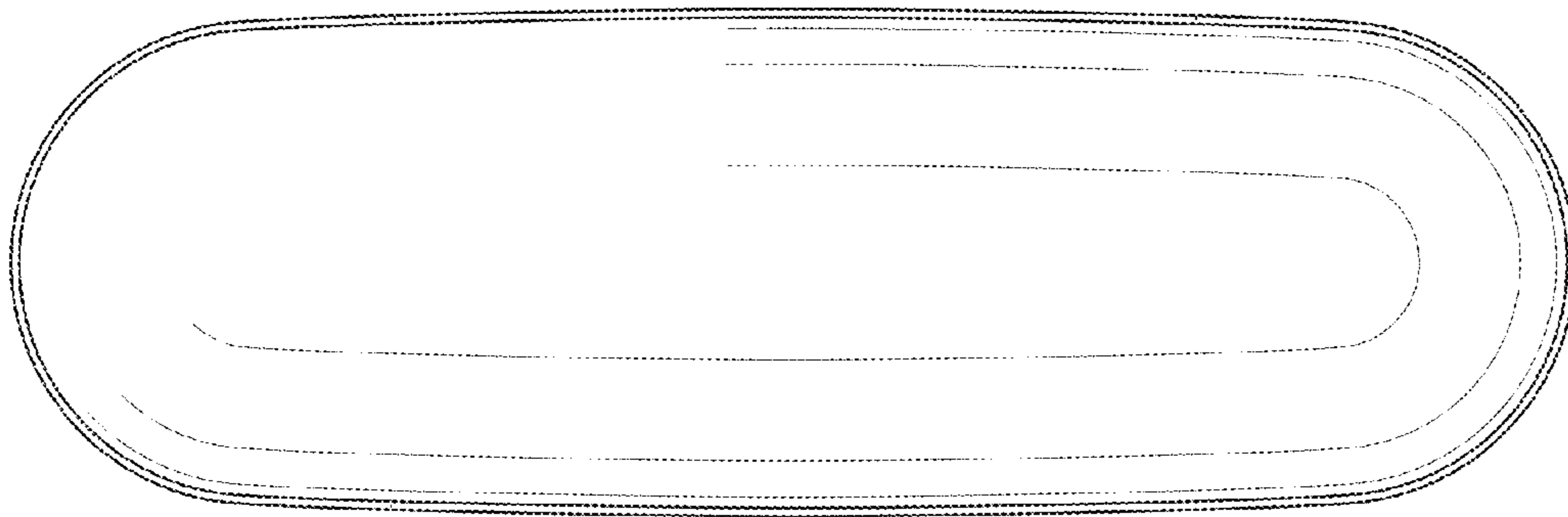


FIG. 3

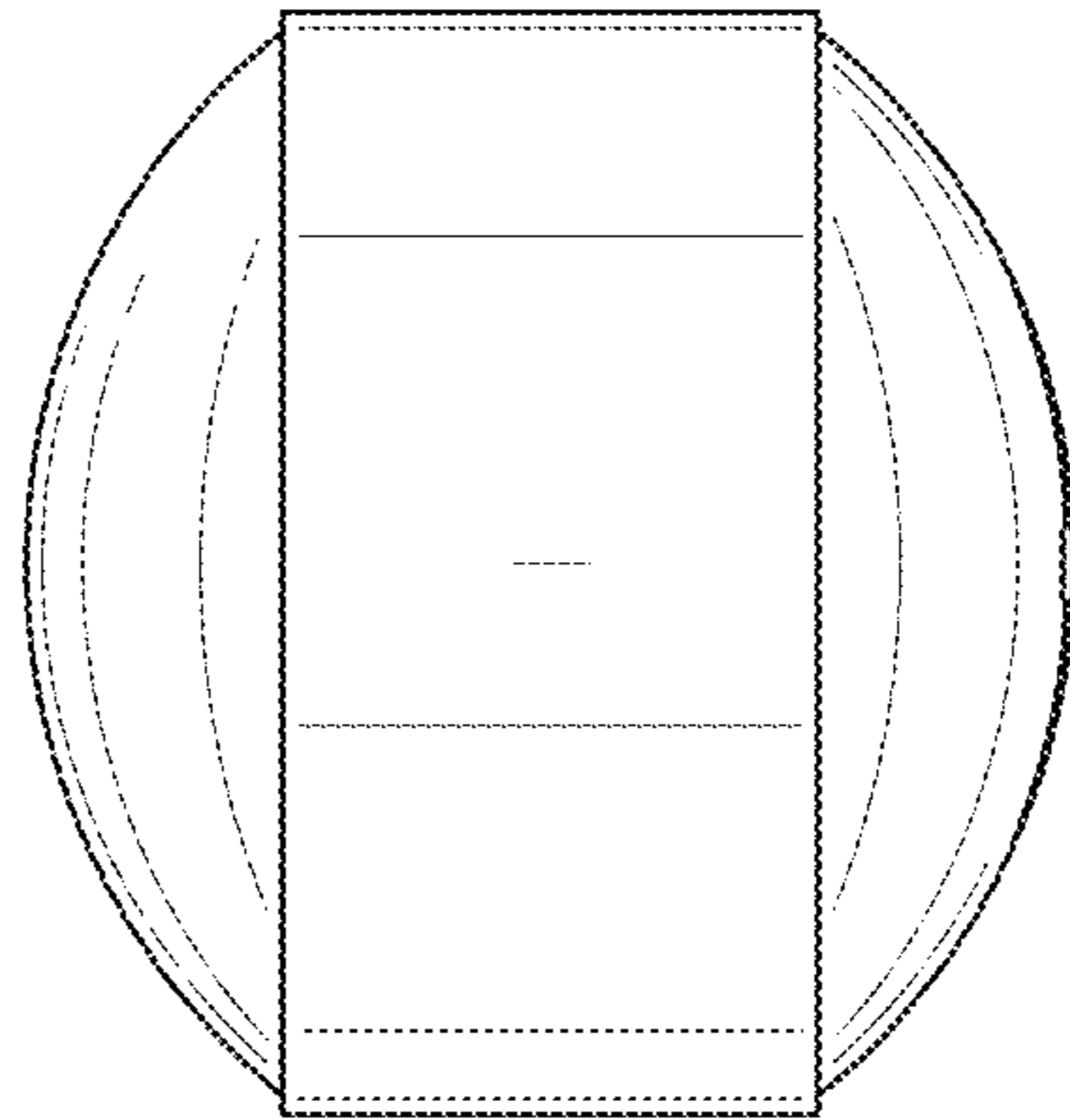


FIG. 4

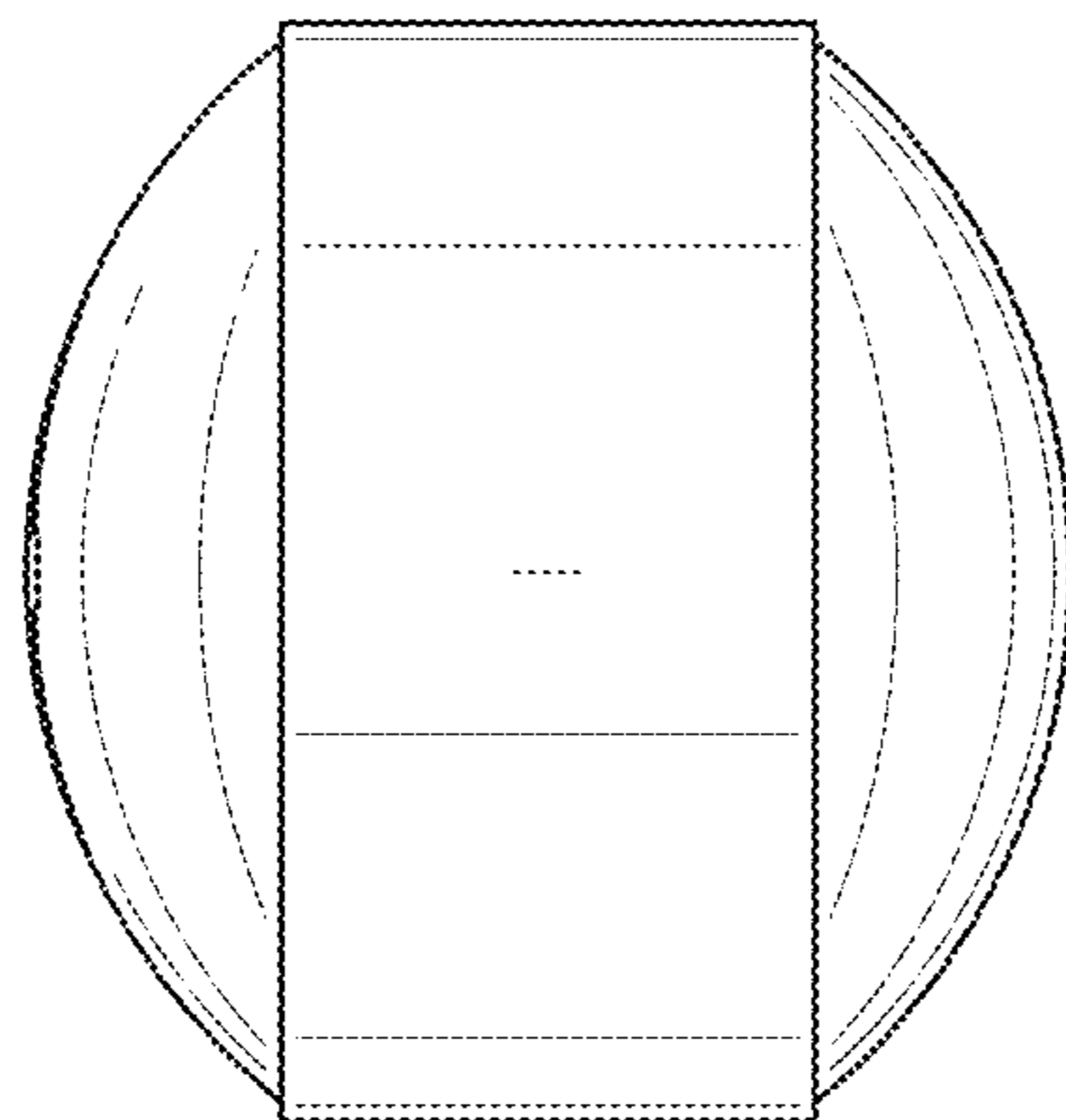


FIG. 5

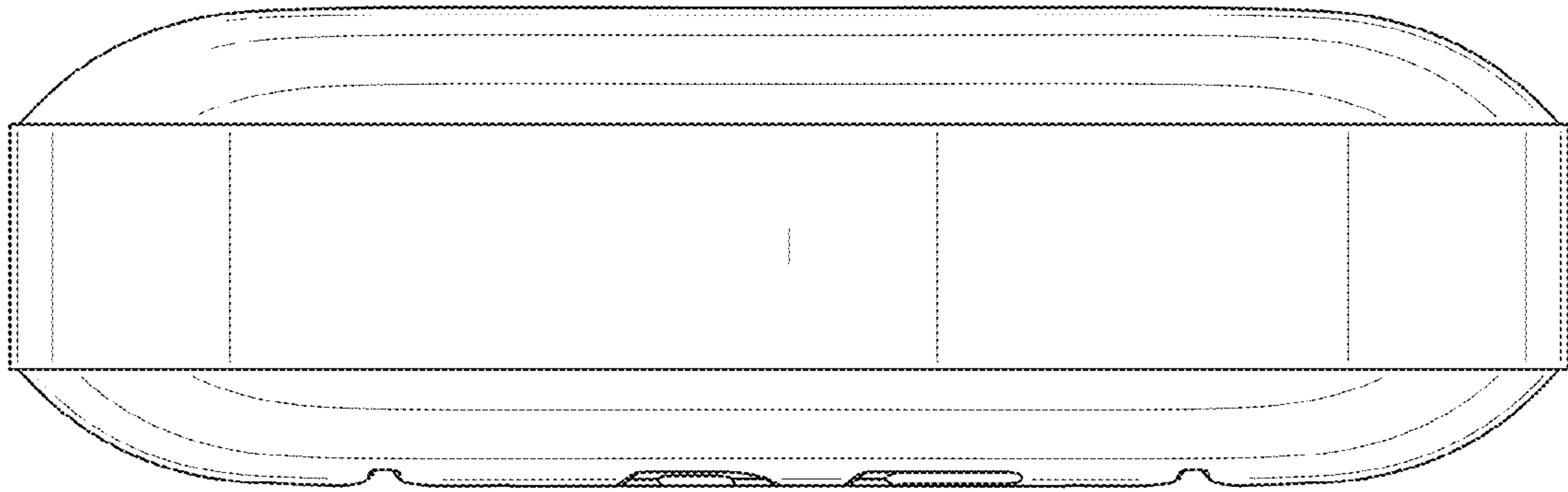


FIG. 6

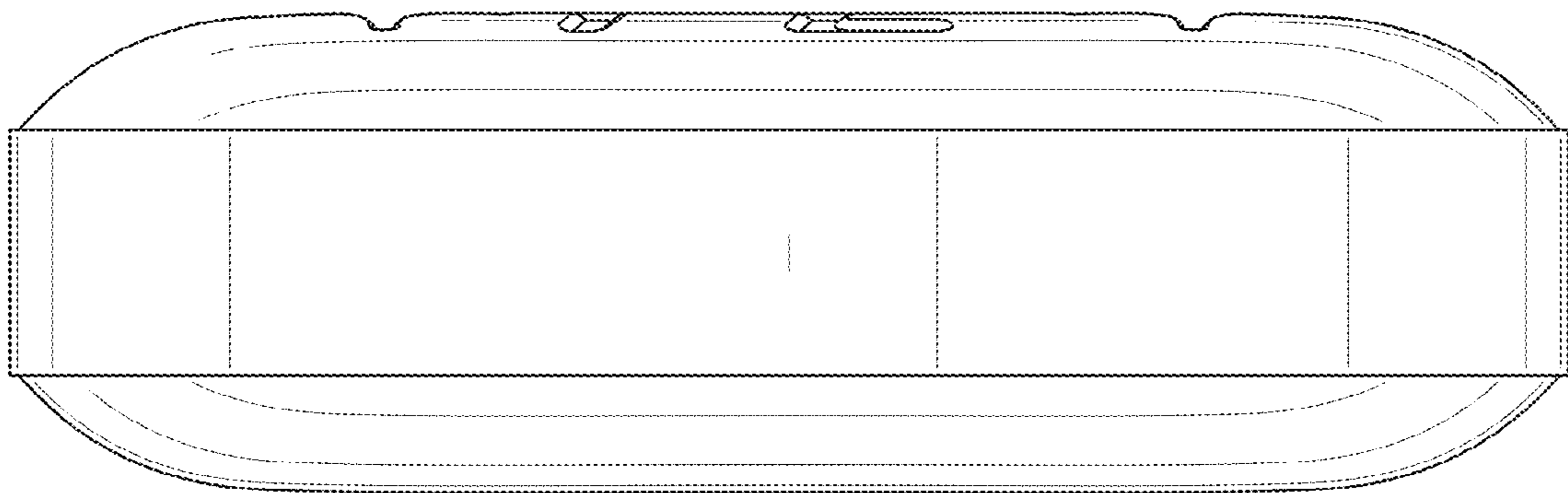


FIG. 7

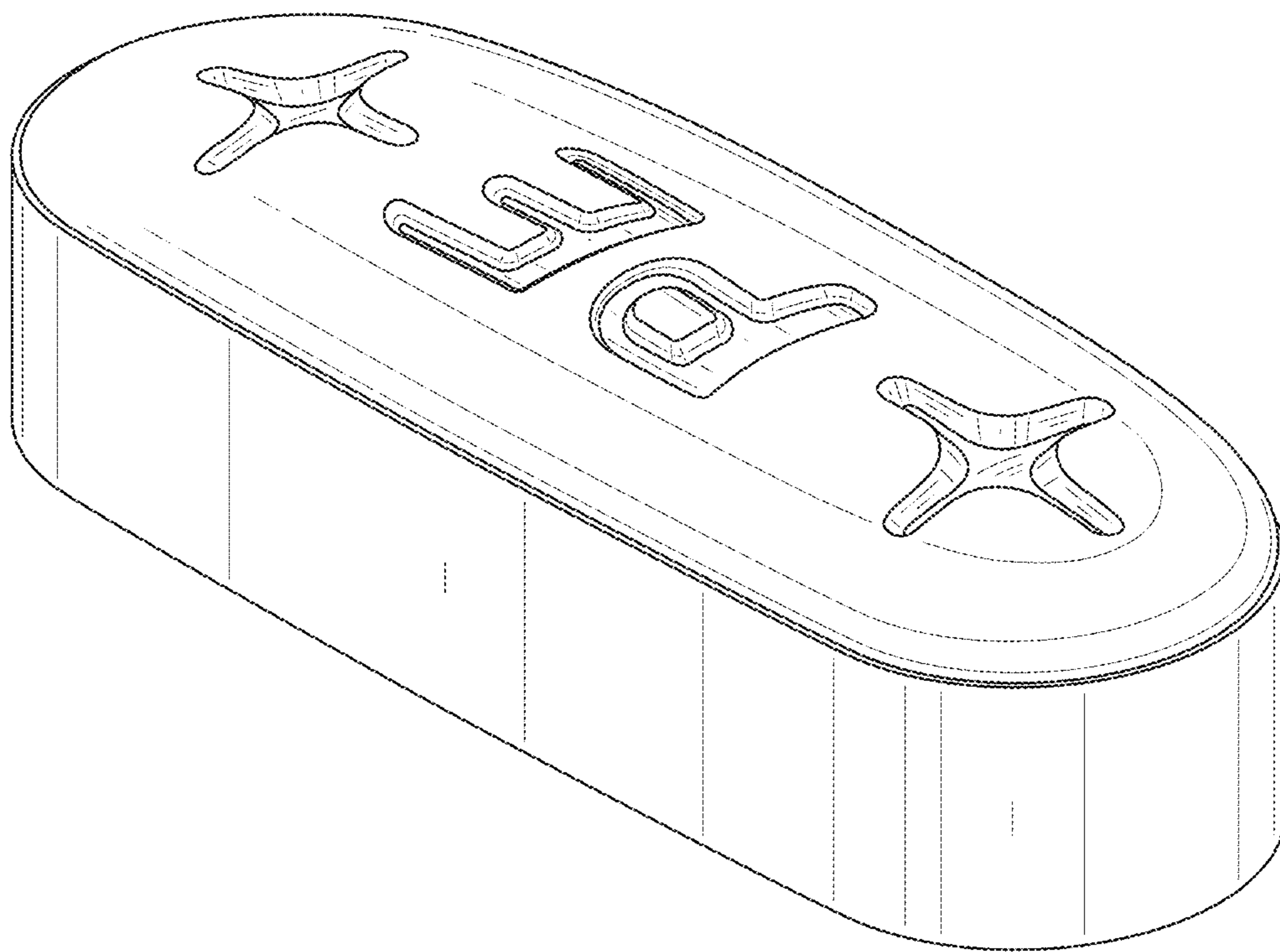


FIG. 8

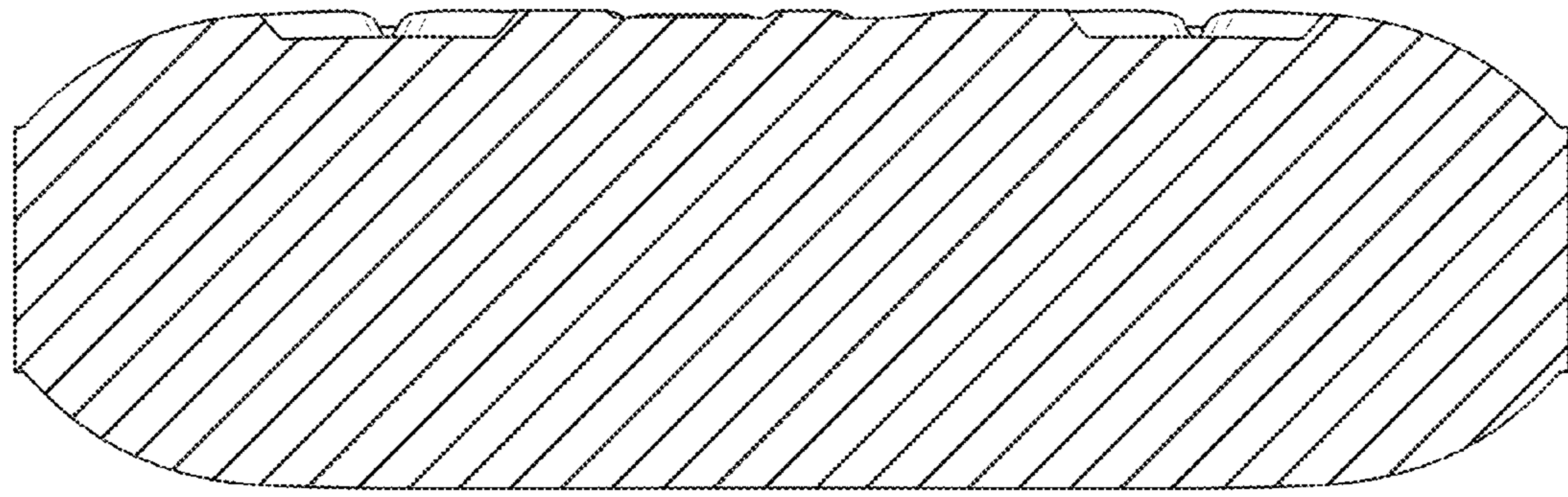


FIG. 9

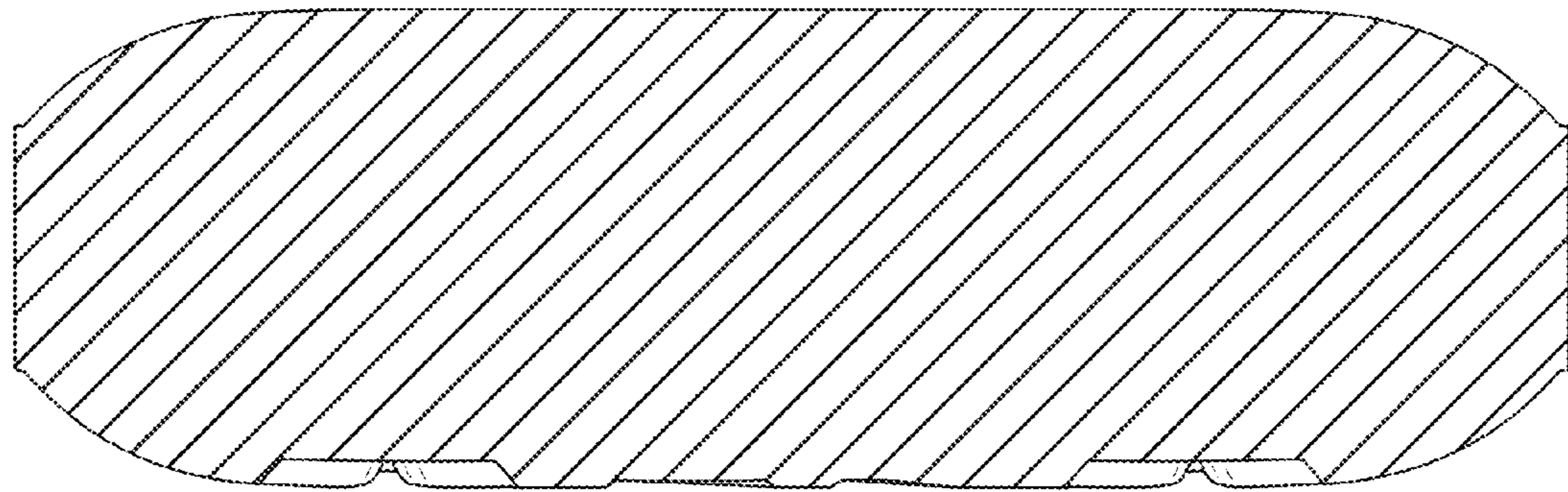


FIG. 10