



US00D754839S

(12) **United States Design Patent**  
**Aruga**

(10) **Patent No.:** **US D754,839 S**  
(45) **Date of Patent:** **\*\* Apr. 26, 2016**

(54) **OUTLET OF AIR CONDITIONING FOR AIRCRAFT**

(71) Applicant: **MITSUBISHI AIRCRAFT CORPORATION**, Nagoya-shi, Aichi (JP)

(72) Inventor: **Hiroyasu Aruga**, Tokyo (JP)

(73) Assignee: **MITSUBISHI AIRCRAFT CORPORATION**, Aichi (JP)

(\*\*) Term: **15 Years**

(21) Appl. No.: **29/534,842**

(22) Filed: **Jul. 31, 2015**

**Related U.S. Application Data**

(62) Division of application No. 29/458,268, filed on Jun. 18, 2013.

(51) **LOC (10) Cl.** ..... **23-04**

(52) **U.S. Cl.**  
USPC ..... **D23/393**

(58) **Field of Classification Search**  
USPC ..... D23/388-393, 342, 366, 356, 385, 370, D23/371, 351, 354, 386; 454/309, 275-277, 454/284, 287; D26/118, 72, 152; D12/319, D12/345

CPC . B64D 13/00; B64D 2013/003; B64D 13/006  
See application file for complete search history.

(56) **References Cited**

**U.S. PATENT DOCUMENTS**

D203,484 S	1/1966	Rousey et al.	
D263,070 S	2/1982	Metz et al.	
D373,417 S	9/1996	Lee	
D377,231 S *	1/1997	Degelmann	D26/77
D384,769 S *	10/1997	Holten	D26/118
6,273,592 B1	8/2001	Herst et al.	
6,402,345 B1	6/2002	Fishman	

D481,820 S *	11/2003	Watt	D26/121
6,652,118 B2 *	11/2003	Shemitz	F21S 4/003 362/225
D490,876 S	6/2004	Okazaki et al.	
7,246,924 B2 *	7/2007	Pfund	F21V 11/02 362/290
D561,384 S	2/2008	Hukle et al.	
D572,358 S	7/2008	Natgrass et al.	
D597,248 S *	7/2009	Lee	D26/122
D601,296 S *	9/2009	Lee	D26/122
D602,579 S	10/2009	Stone	
D605,281 S	12/2009	Kern	
D618,331 S *	6/2010	Stone	D23/373

(Continued)

*Primary Examiner* — David Muller

*Assistant Examiner* — Nathan Johnston

(74) *Attorney, Agent, or Firm* — Birch, Stewart, Kolasch & Birch, LLP

(57) **CLAIM**

The ornamental design for an outlet of air conditioning for aircraft, as shown and described.

**DESCRIPTION**

FIG. 1 is a perspective view of an outlet of air conditioning for aircraft according to my new ornamental design.

FIG. 2 is a front elevation view thereof.

FIG. 3 is a rear elevation view thereof.

FIG. 4 is a top plan view thereof.

FIG. 5 is a bottom plan view thereof.

FIG. 6 is a left side elevation view thereof.

FIG. 7 is a right side elevation view thereof.

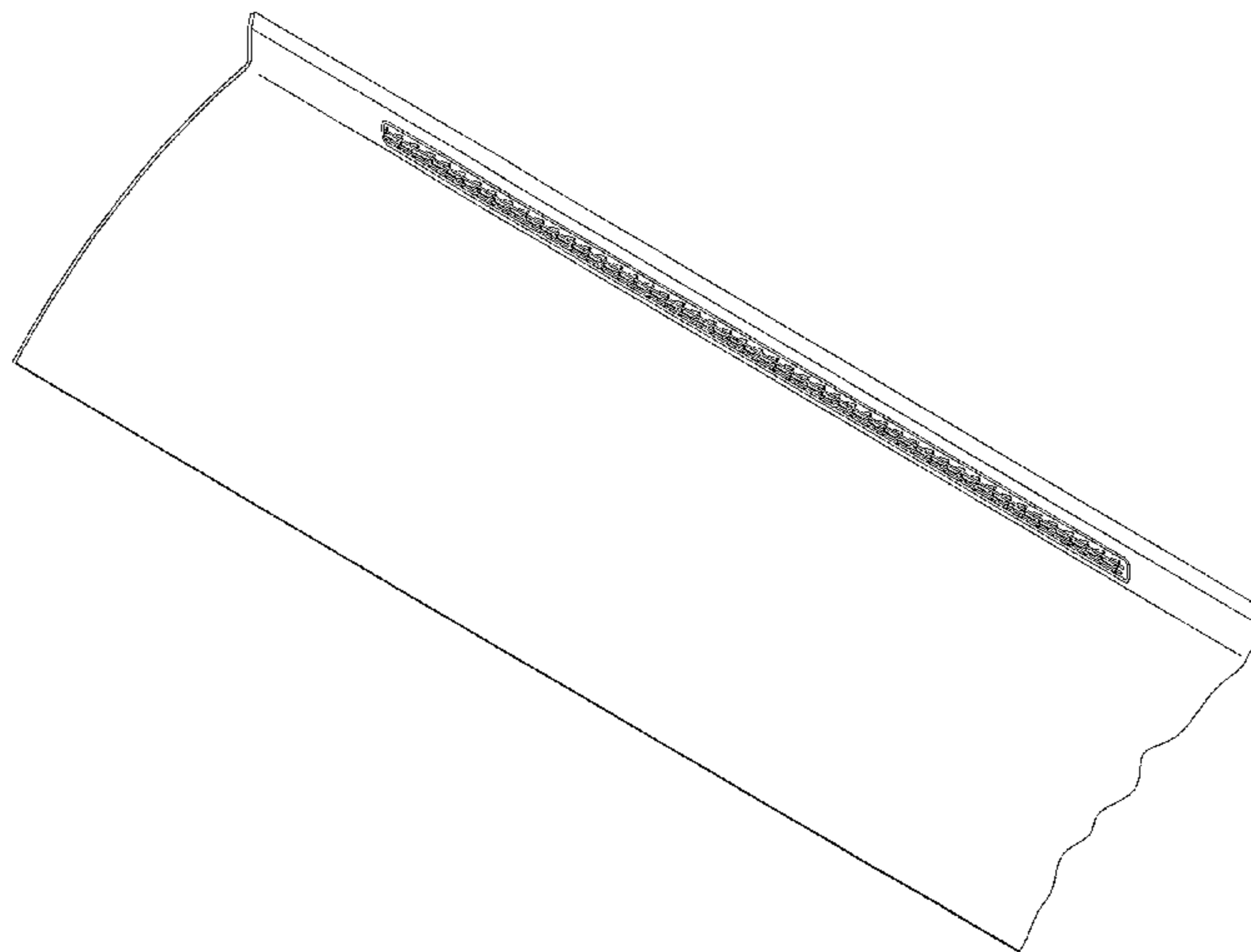
FIG. 8 is an enlarged cross-sectional view taken along the line 8-8 in FIG. 2.

FIG. 9 is an enlarged cross-sectional view taken along the line 9-9 in FIG. 2; and,

FIG. 10 is a referential view showing use thereof.

The outlet of air conditioning for aircraft is shown with a symbolic break in its length on one end. The appearance of any portion of the article outside the break lines forms no part of the claimed design.

**1 Claim, 9 Drawing Sheets**



# US D754,839 S

Page 2

---

(56)

## References Cited

### U.S. PATENT DOCUMENTS

D620,570 S 7/2010 Thomas  
8,092,040 B2\* 1/2012 Wu ..... F21V 7/0016  
362/217.03  
D654,161 S \* 2/2012 Holland ..... D23/373

D697,652 S \* 1/2014 Savani ..... D26/76  
D710,985 S \* 8/2014 Gassman ..... D23/373  
2005/0271468 A1\* 12/2005 Messerschmidt ..... E03F 5/06  
404/4  
2013/0153764 A1 6/2013 Momomura et al.

\* cited by examiner

FIG. 1

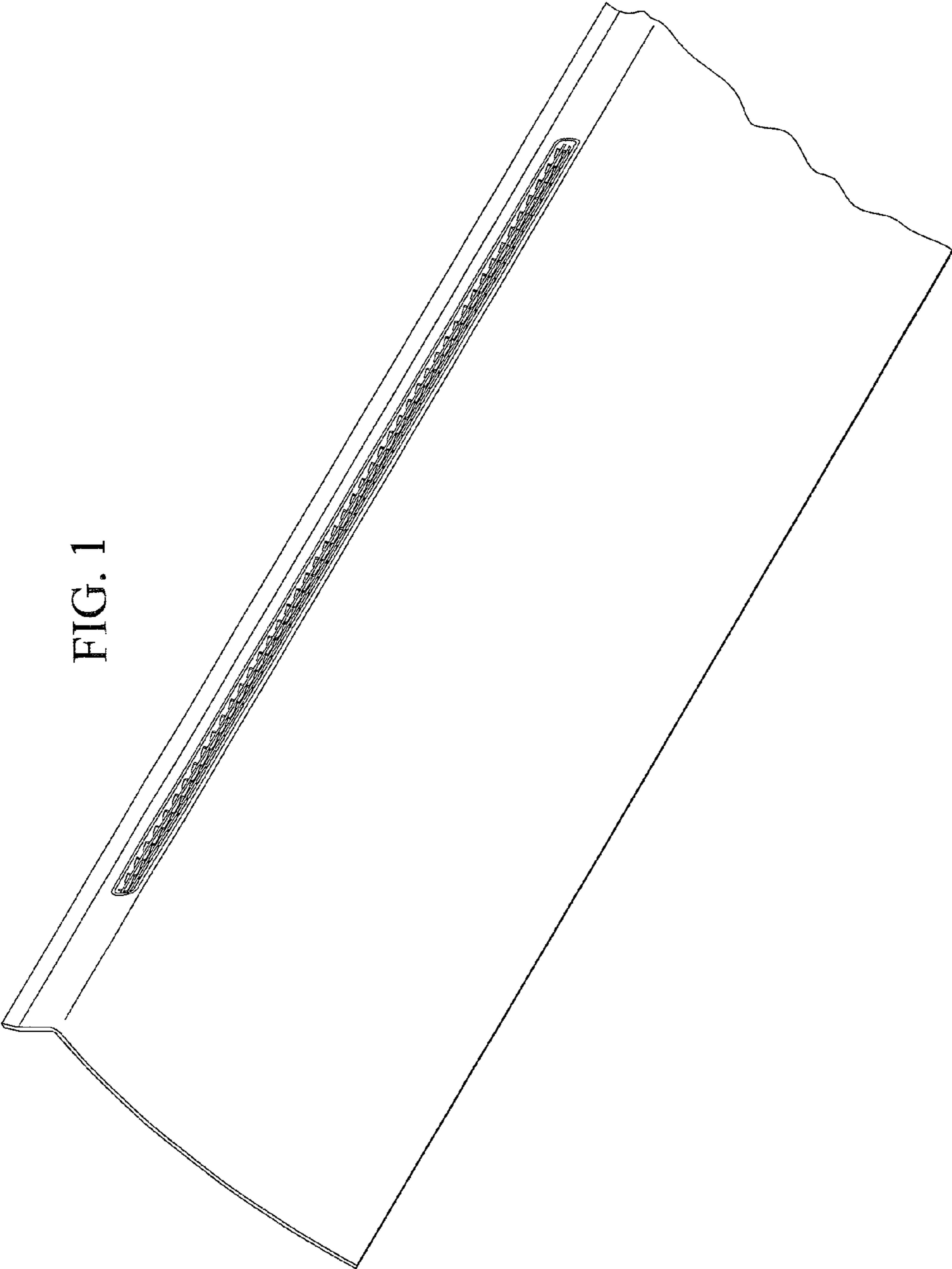


FIG. 2

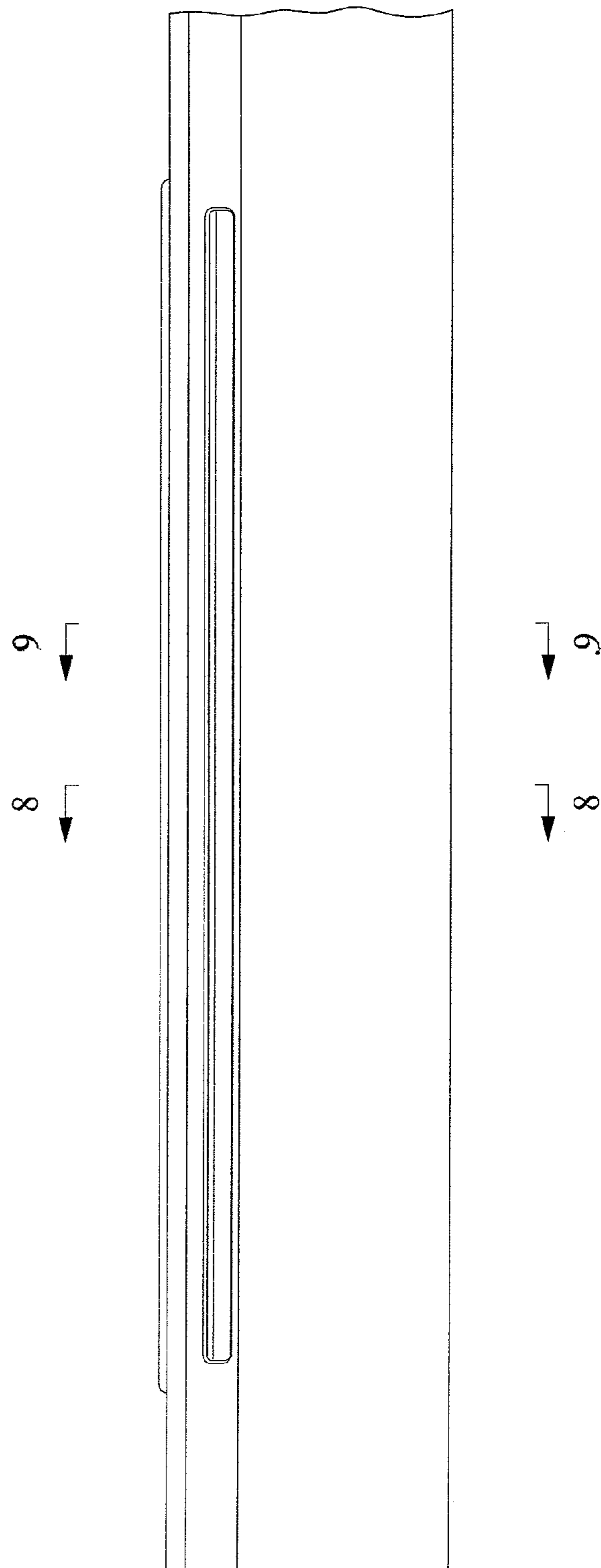


FIG. 3

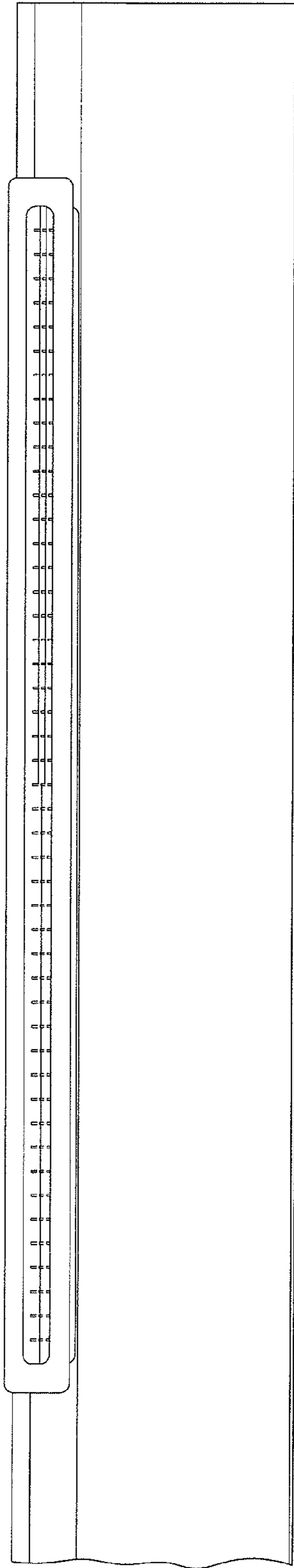


FIG. 4

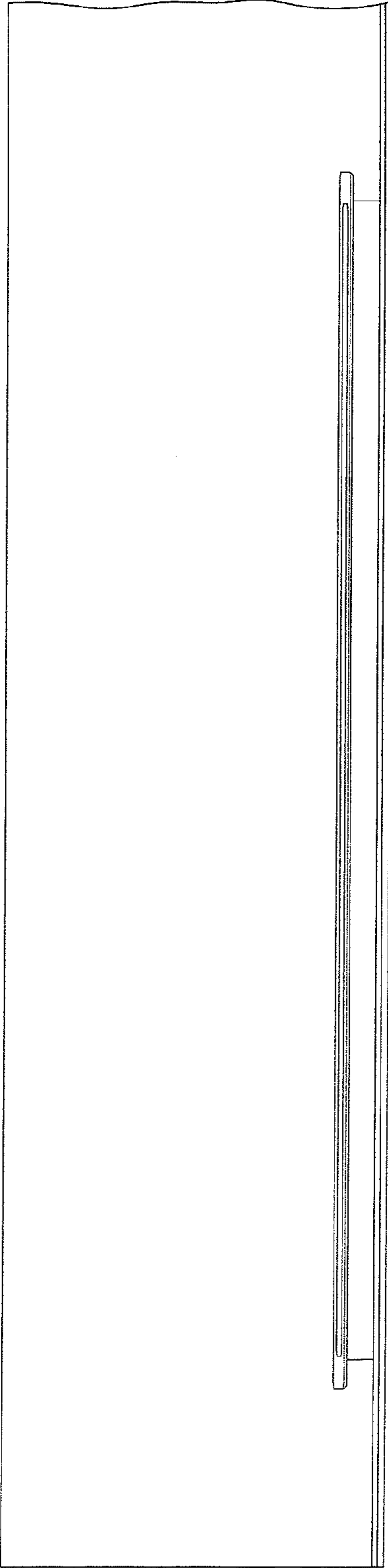


FIG. 5

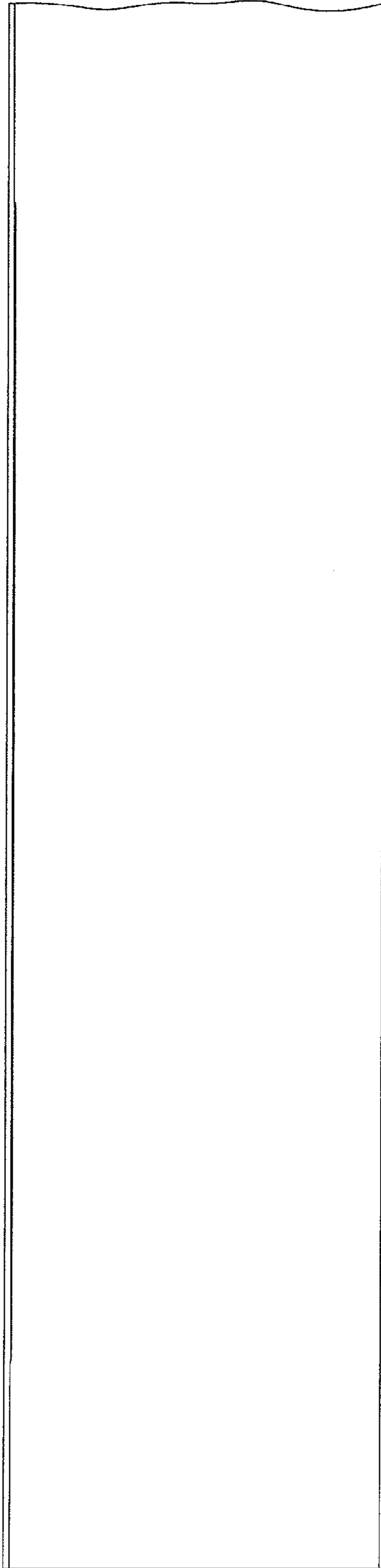


FIG. 7

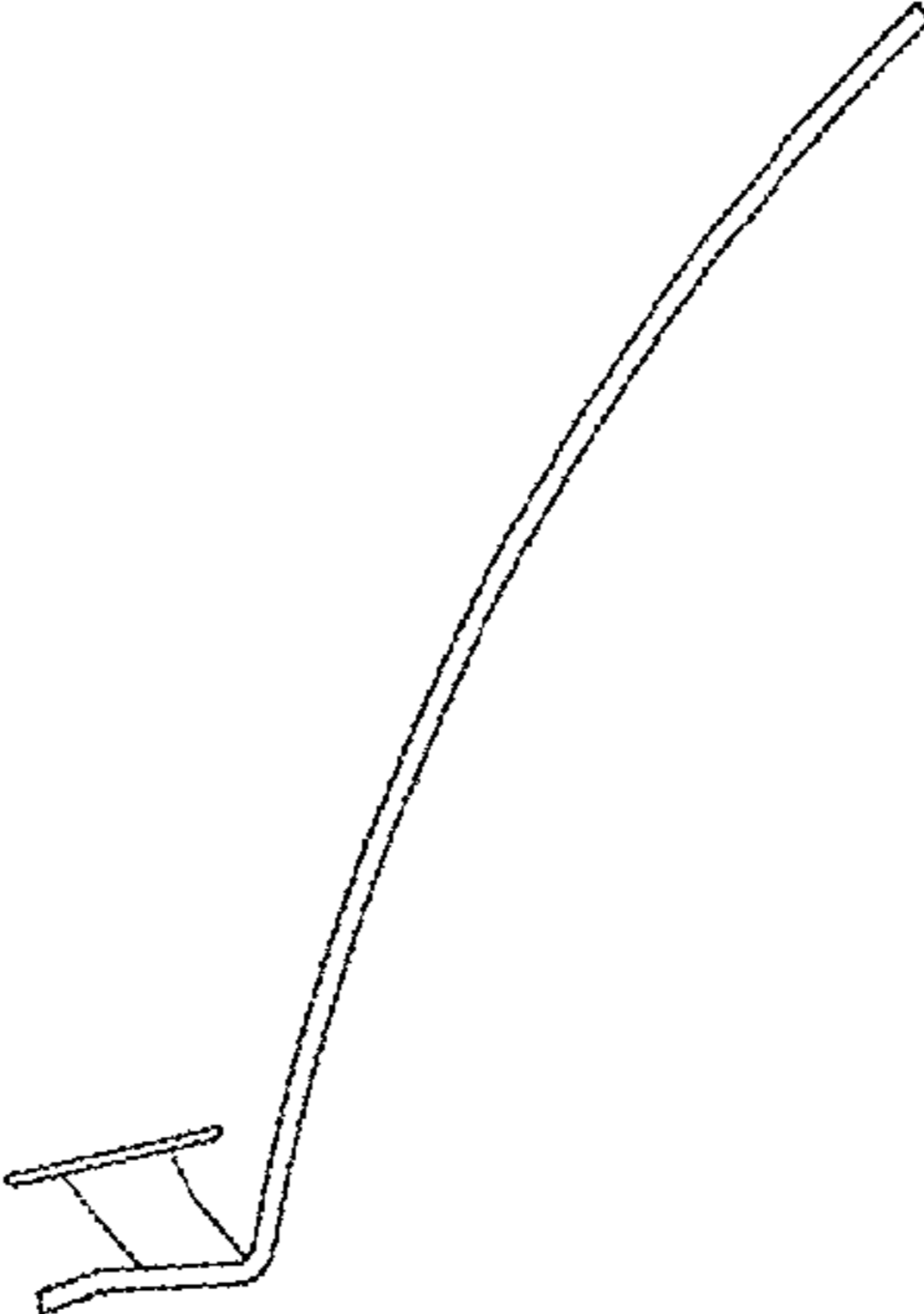


FIG. 6

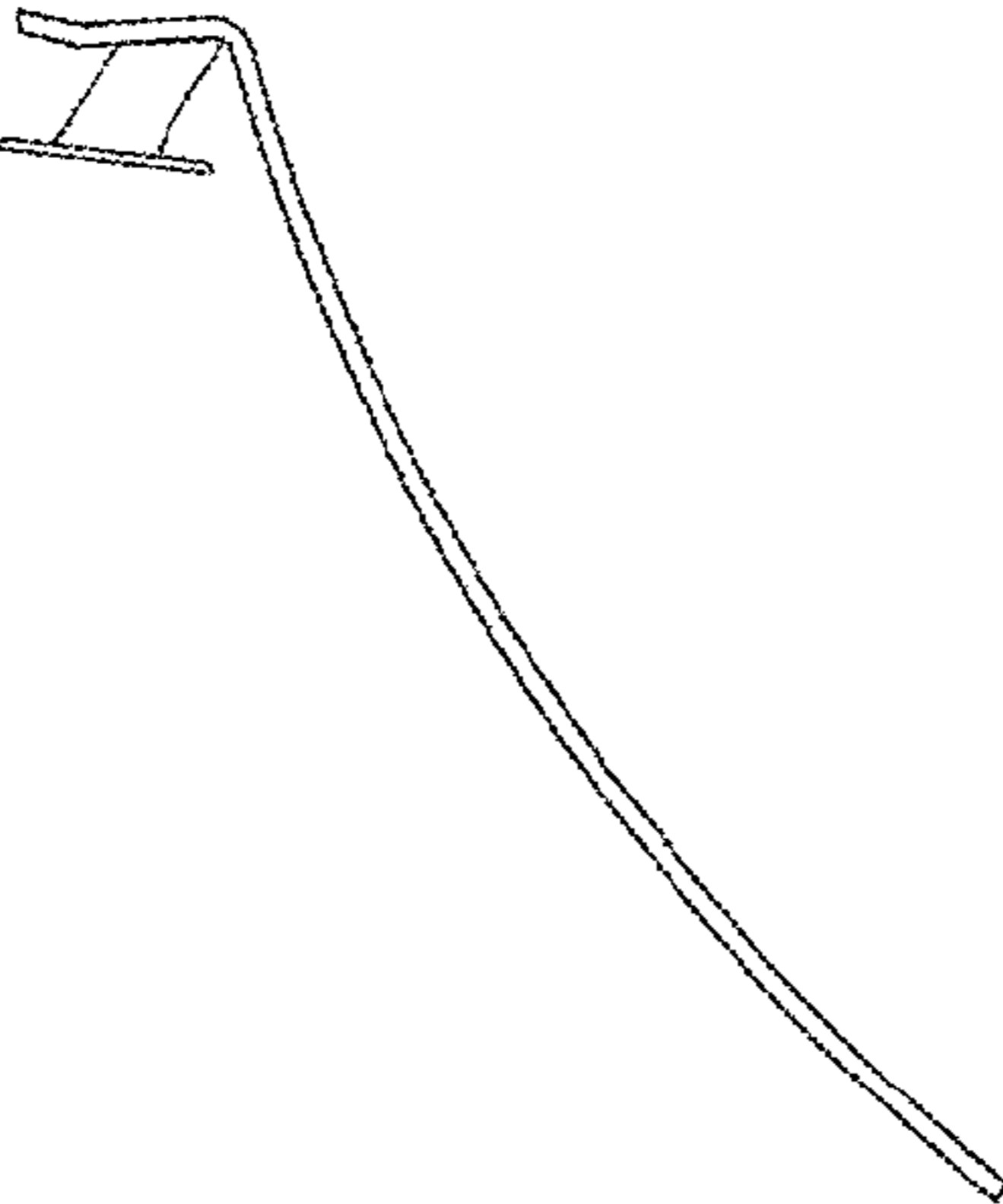




FIG. 8

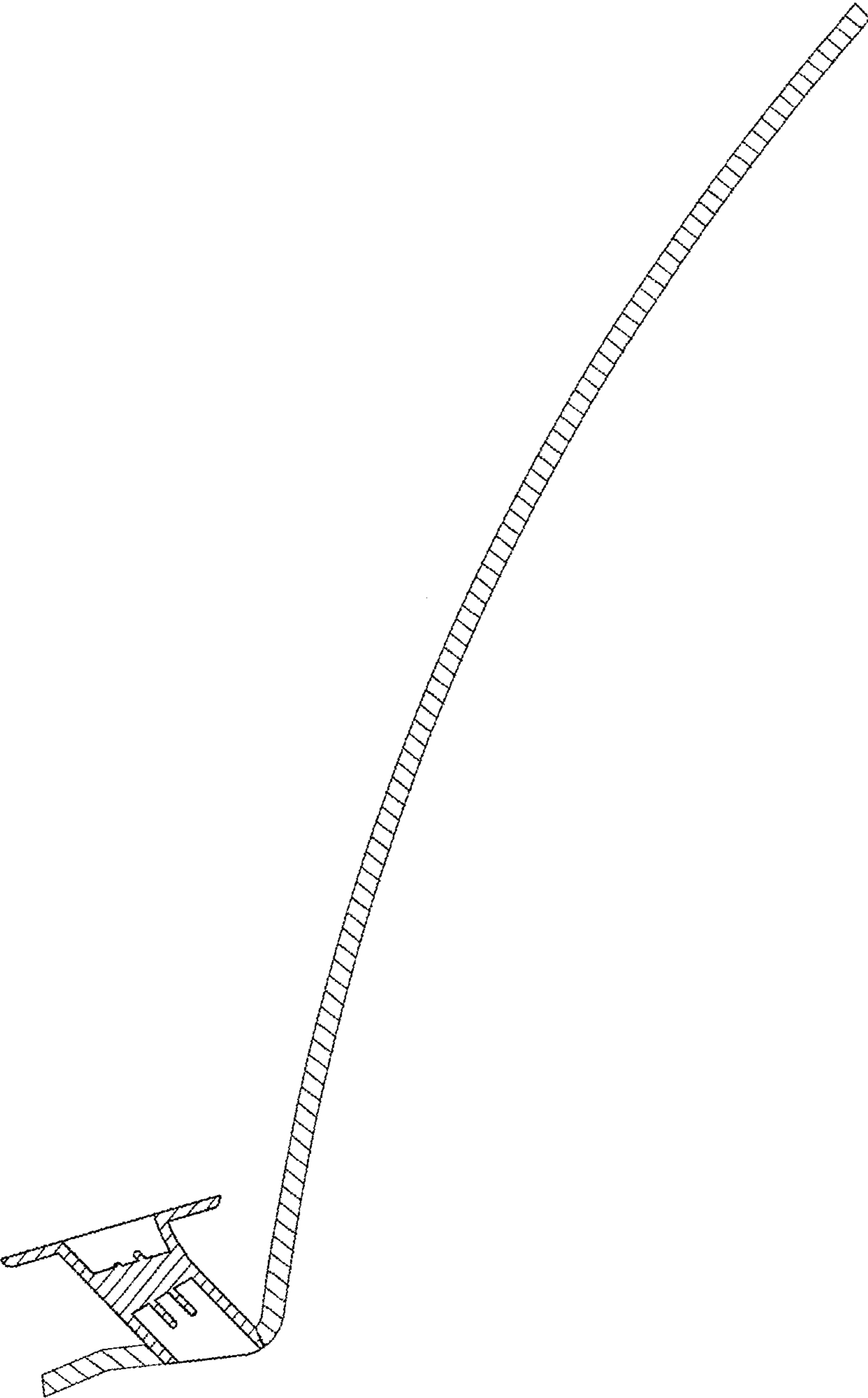


FIG. 9

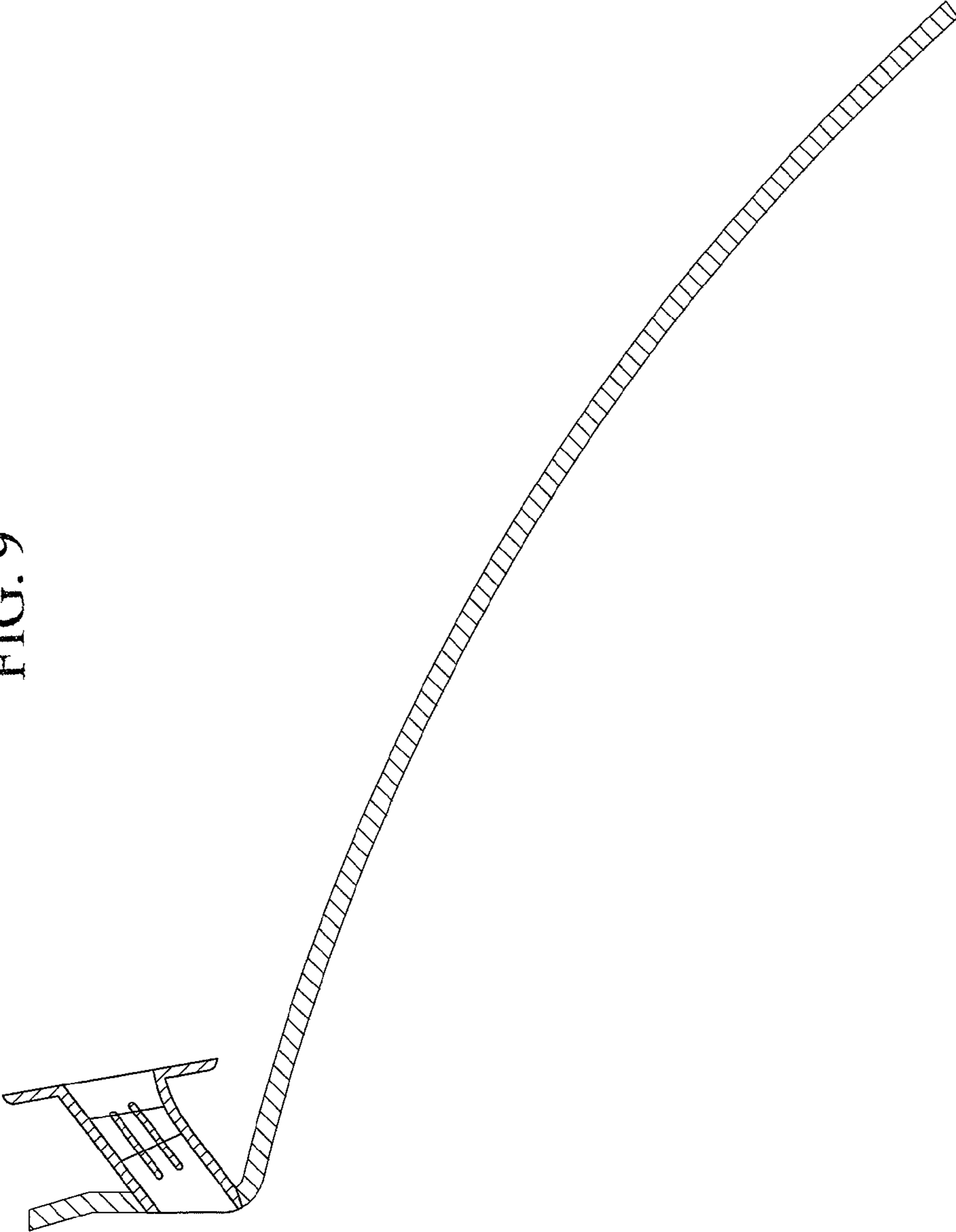


FIG. 10

