



US00D754838S

(12) **United States Design Patent**
Penlesky et al.

(10) **Patent No.:** **US D754,838 S**
(45) **Date of Patent:** **** *Apr. 26, 2016**

- (54) **KNOCK-OUT PANEL**
- (75) Inventors: **Robert G. Penlesky**, Waukesha, WI (US); **Mirko Zakula**, New Berlin, WI (US); **Daniel L. Karst**, Beaver Dam, WI (US)
- (73) Assignee: **Broan-NuTone LLC**, Hartford, WI (US)
- (*) Notice: This patent is subject to a terminal disclaimer.
- (**) Term: **14 Years**
- (21) Appl. No.: **29/412,646**
- (22) Filed: **Feb. 6, 2012**
- (51) **LOC (10) Cl.** **23-04**
- (52) **U.S. Cl.**
USPC **D23/393**
- (58) **Field of Classification Search**
USPC D23/385-395, 397, 370-373, 365, 351, D23/354, 399-403, 421, 499; 454/309, 454/275-277, 284, 287-291, 358-363; 52/302.1, 32.07; D8/354
CPC F24F 7/00; F24F 7/013; F24F 7/06; F24F 2013/205; F21V 33/00; E04B 1/2608; E04B 7/045
See application file for complete search history.

7,356,973	B2 *	4/2008	Roesset et al.	52/712
7,429,023	B2 *	9/2008	Morrow	D8/354
D640,916	S *	7/2011	Sias	D8/382
D667,288	S *	9/2012	Preda	D8/354
D682,079	S *	5/2013	Chou	D8/380
D690,065	S *	9/2013	Schoenster	D32/25
D690,188	S *	9/2013	Pontus	D8/354
D700,831	S *	3/2014	Ng et al.	D8/380
D705,040	S *	5/2014	Konrad et al.	D8/354

FOREIGN PATENT DOCUMENTS

CA 149188 7/2013
* cited by examiner

Primary Examiner — David Muller
(74) *Attorney, Agent, or Firm* — Schwegman Lundberg & Woessner, P.A.

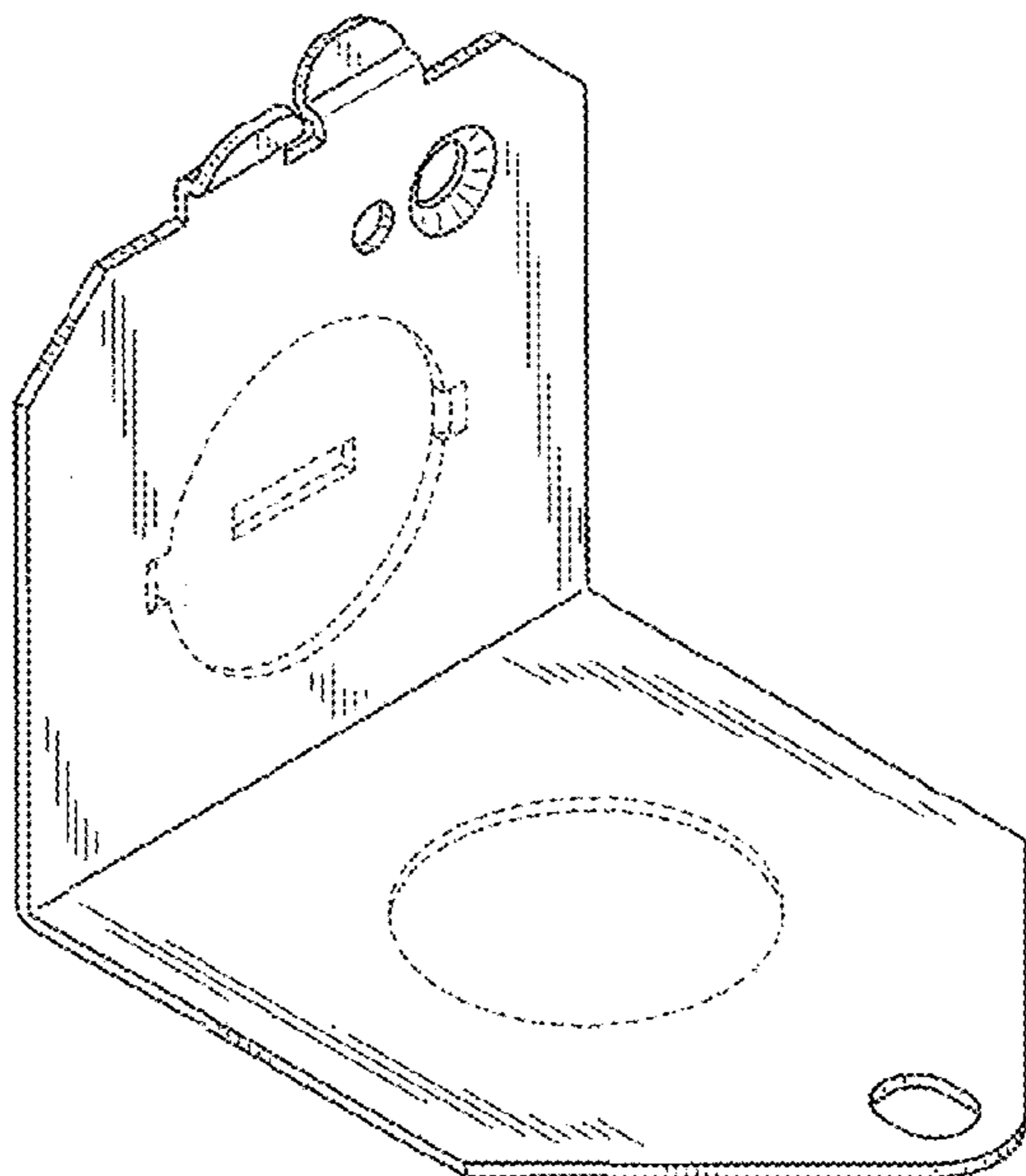
(57) **CLAIM**
We claim the ornamental design for a knock-out panel, as shown and described.

DESCRIPTION

FIG. 1 is a perspective view of a knock-out panel; FIG. 2 is a top view of a portion of the knock-out panel of FIG. 1; FIG. 3 is a bottom view of a portion of the knock-out panel of FIG. 1; FIG. 4 is a first side view of the knock-out panel of FIG. 1; FIG. 5 is a second side view of the knock-out panel of FIG. 1; FIG. 6 is a front view of a portion of the knock-out panel of FIG. 1; and, FIG. 7 is a rear view of a portion of the knock-out panel of FIG. 1.
The features shown in broken lines depict environmental subject matter only and form no part of the claimed design.

1 Claim, 4 Drawing Sheets

- (56) **References Cited**
U.S. PATENT DOCUMENTS
5,081,849 A * 1/1992 Thompson et al. 62/262
D432,901 S * 10/2000 McDonald D8/354
D442,471 S * 5/2001 Willett D8/354
D508,251 S * 8/2005 Tuccinardi et al. D16/132



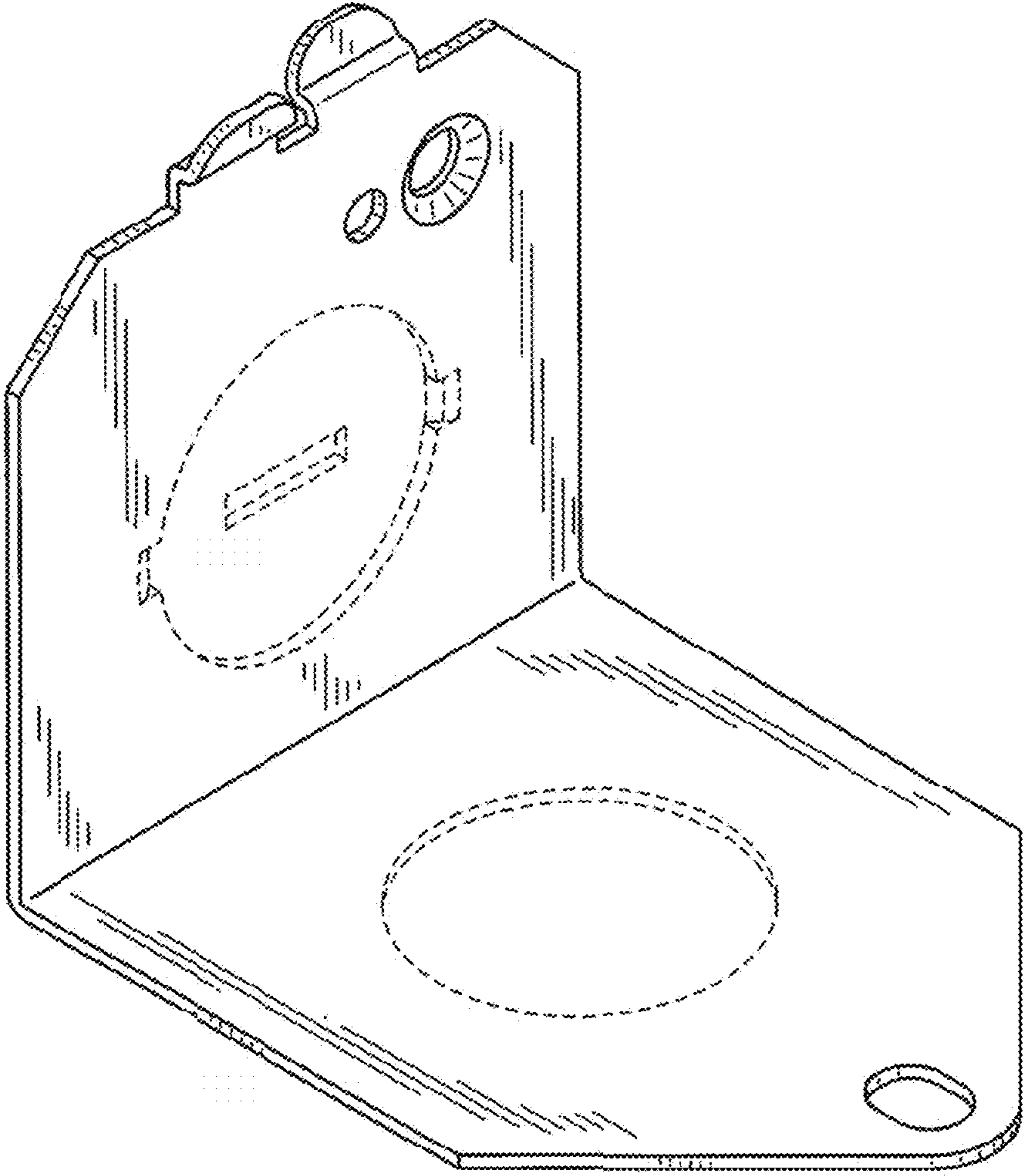


Fig. 1

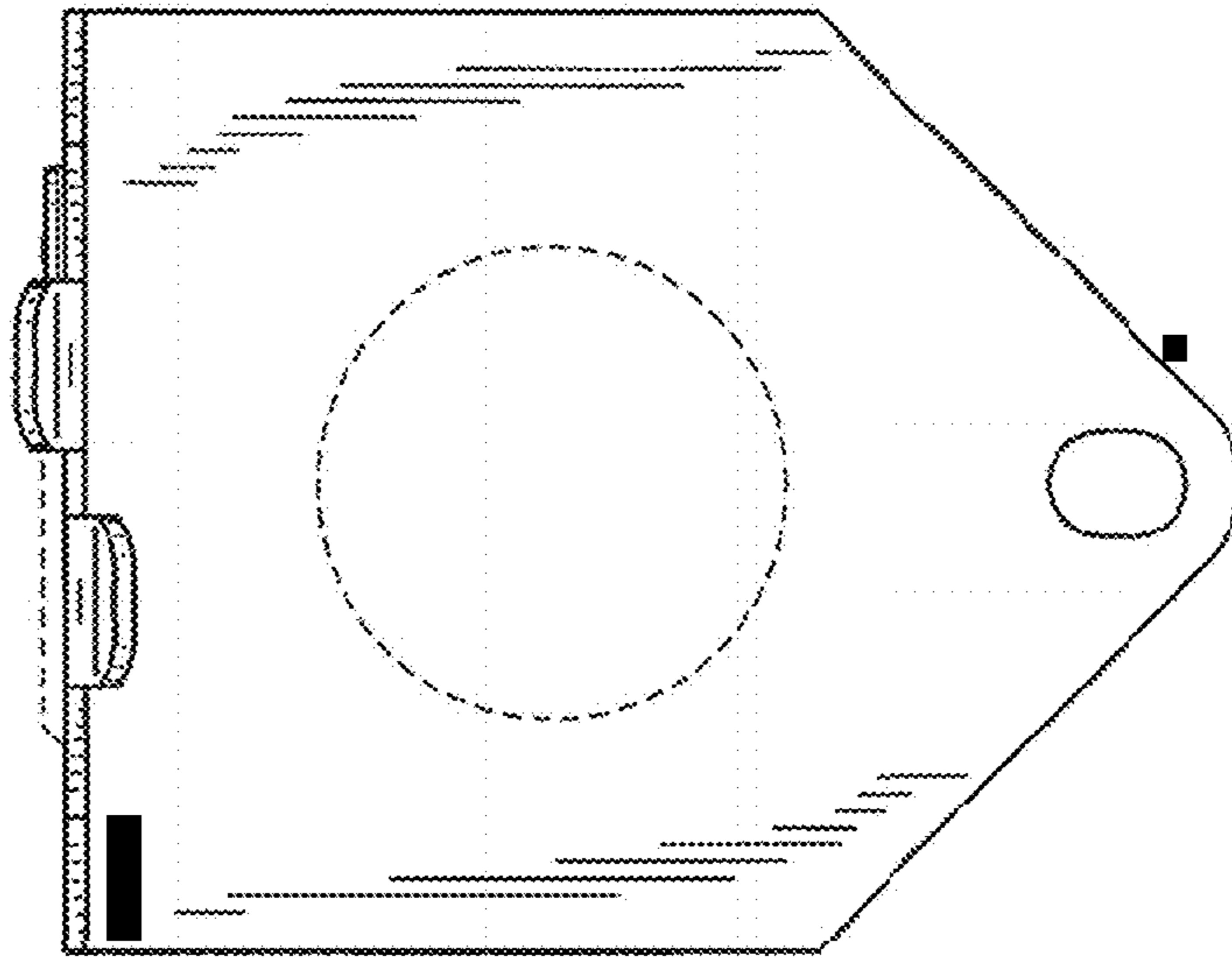


Fig. 2

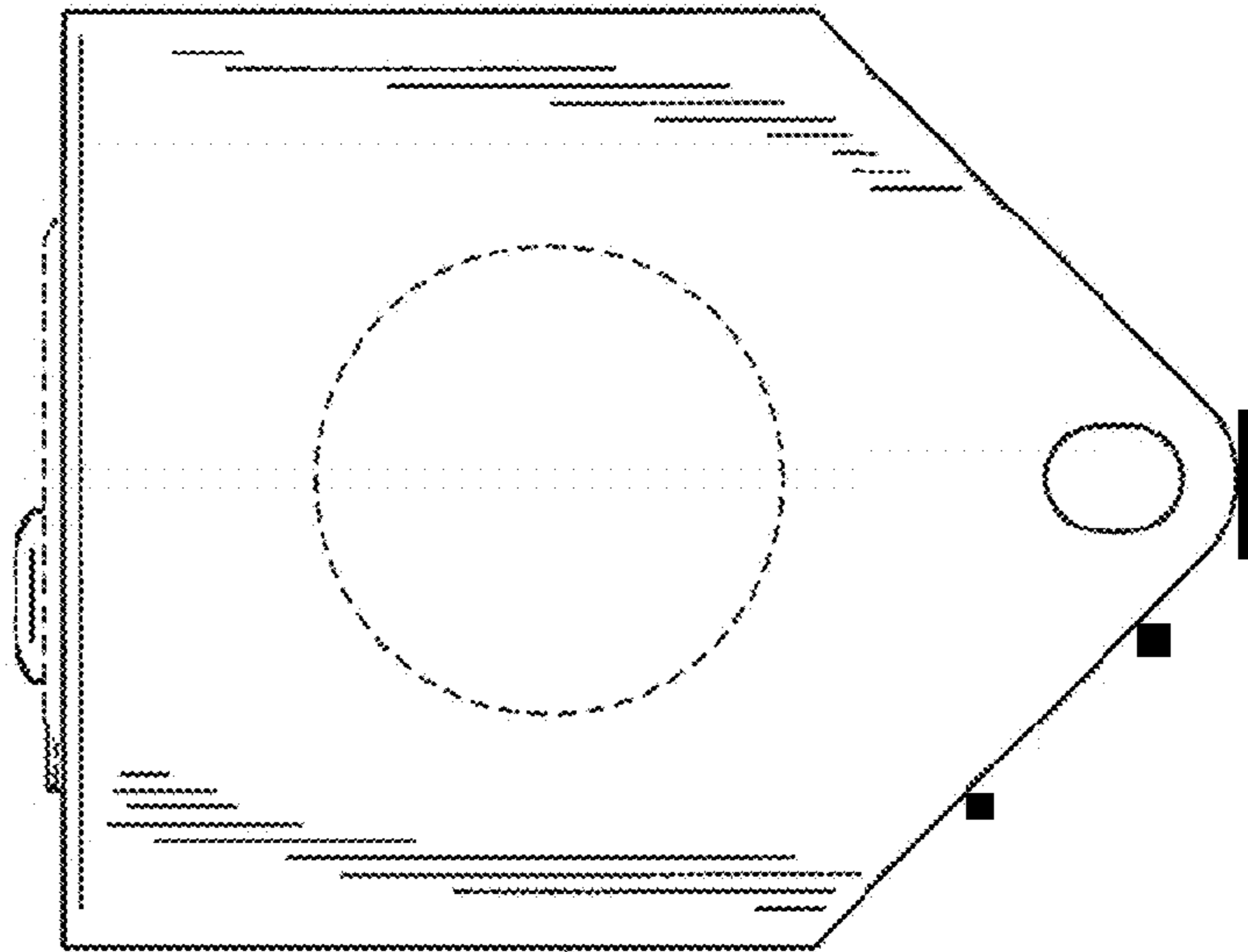


Fig. 3

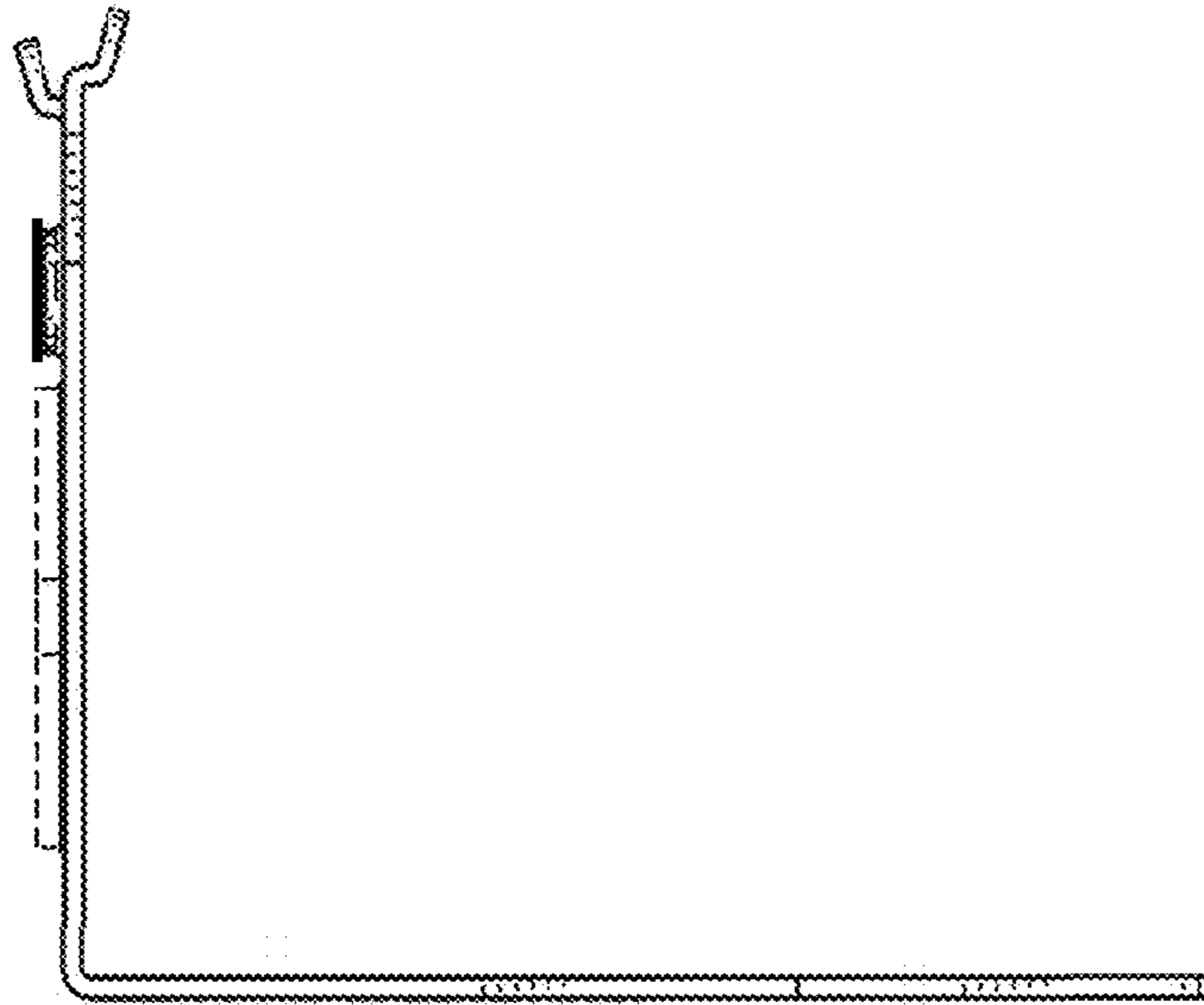


Fig. 4

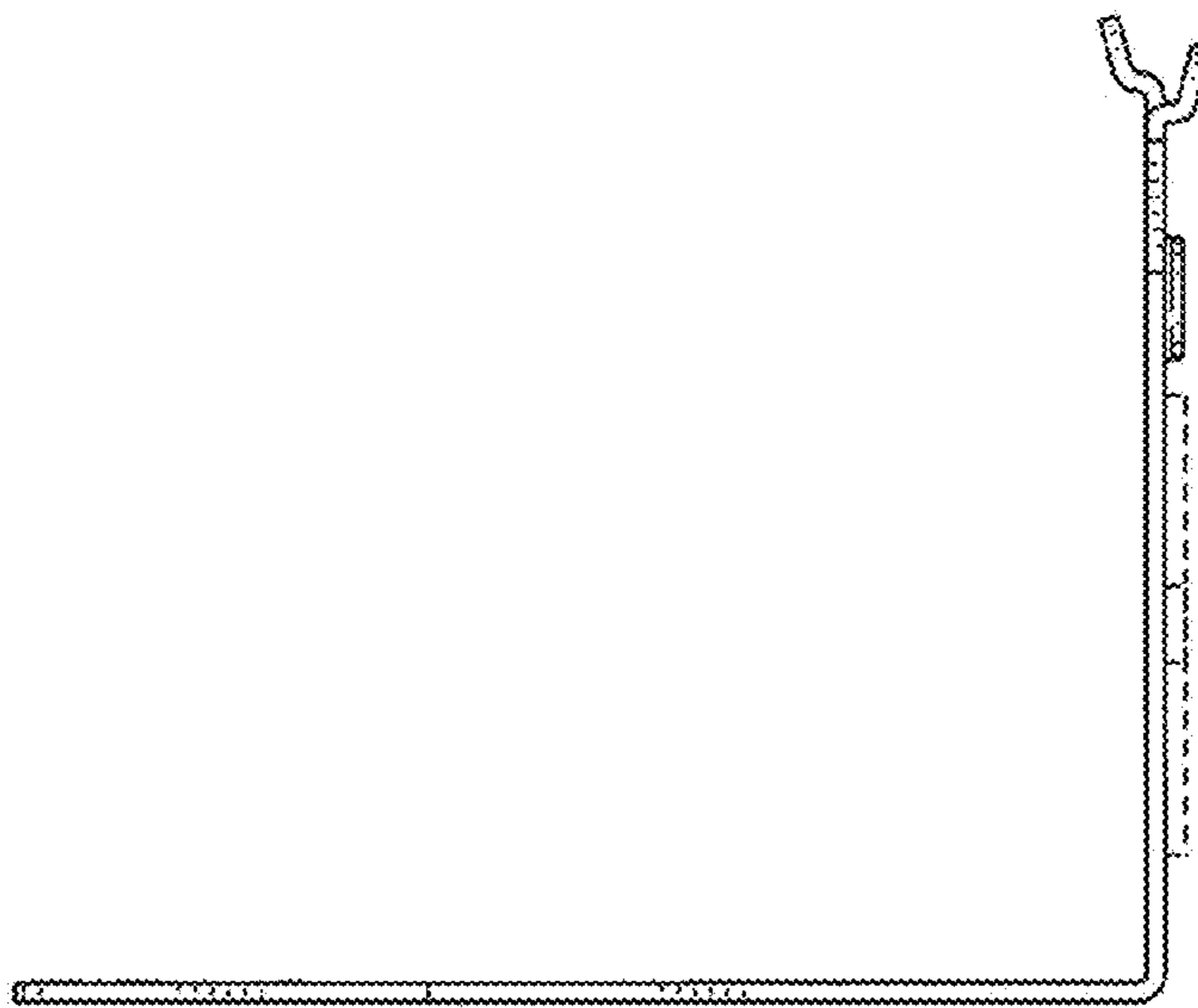


Fig. 5

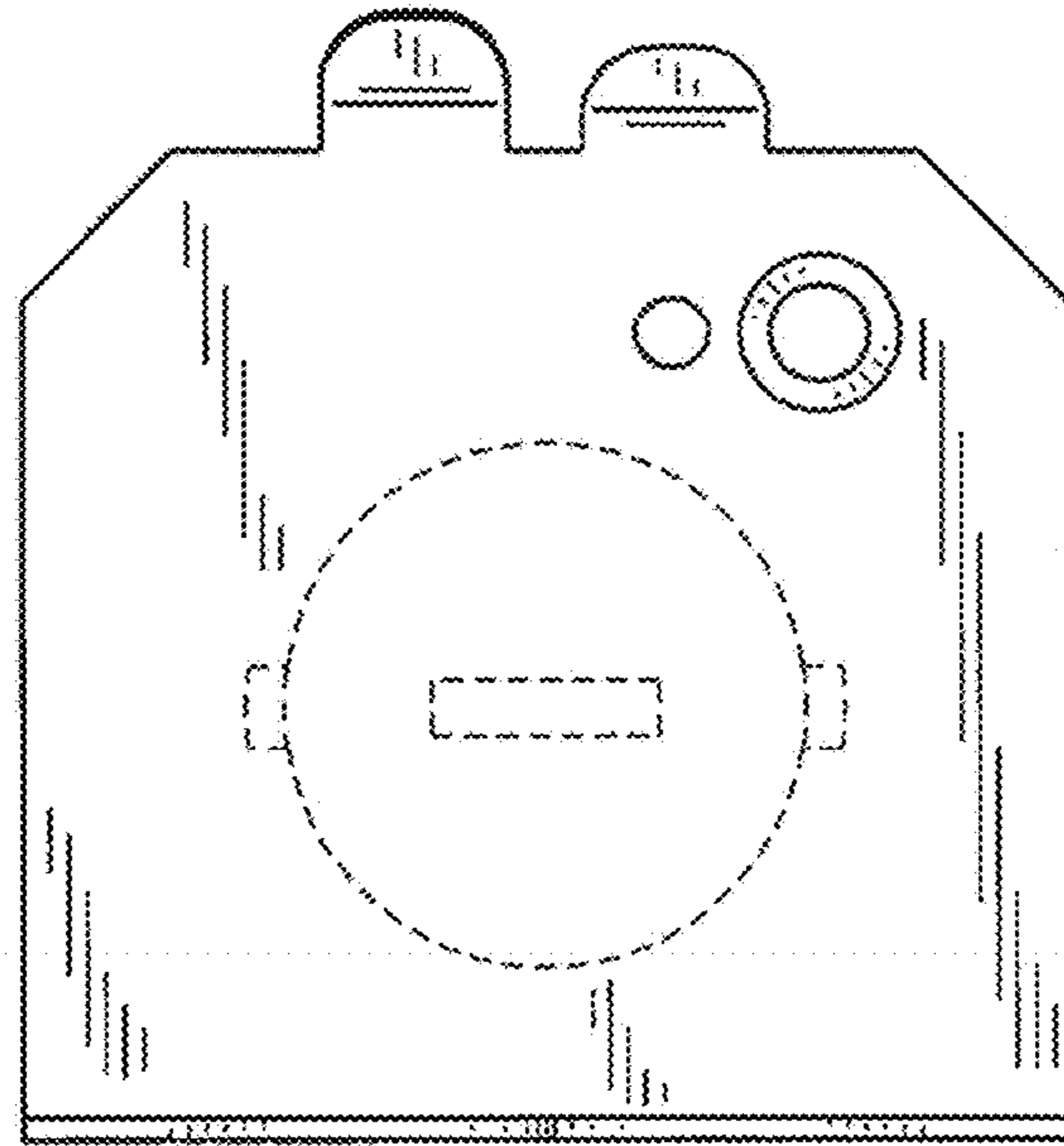


Fig. 6

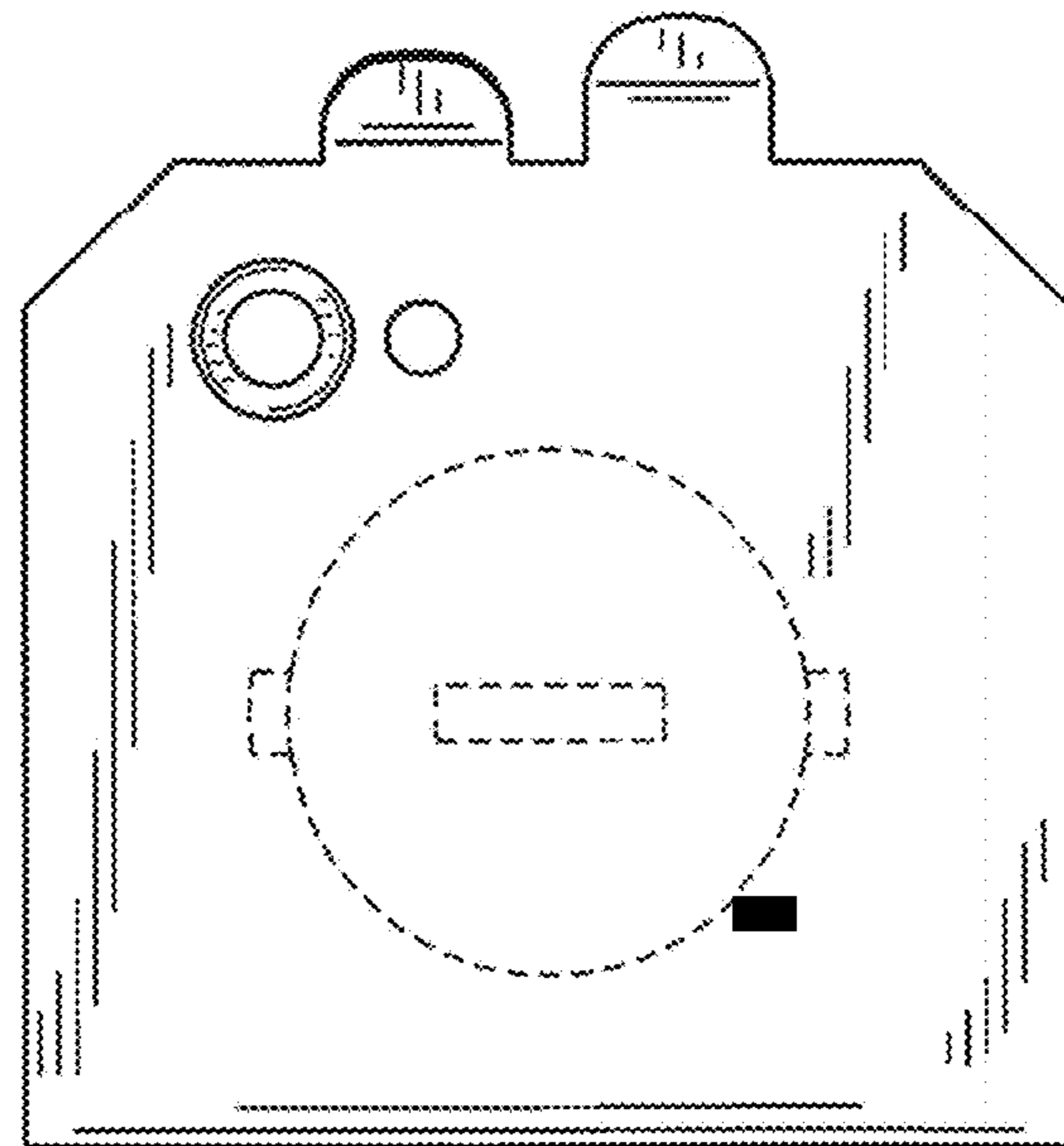


Fig. 7