



US00D754836S

(12) **United States Design Patent**
Park et al.

(10) **Patent No.:** **US D754,836 S**

(45) **Date of Patent:** **** Apr. 26, 2016**

(54) **CEILING FAN WITH LIGHT**

(71) Applicant: **ZALMAN TECH CO., LTD.**,
Anyang-si, Gyeonggi-do (KR)

(72) Inventors: **Sang Woong Park**, Suwon-si (KR);
Sang Il Park, Seoul (KR); **Gi Won Eum**, Seoul (KR)

(73) Assignee: **ZALMAN TECH CO., LTD.**,
Anyang-si, Gyeonggi-do (KR)

(**) Term: **14 Years**

(21) Appl. No.: **29/522,280**

(22) Filed: **Mar. 30, 2015**

(30) **Foreign Application Priority Data**

Sep. 30, 2014 (KR) 30-2014-0047366

(51) **LOC (10) Cl.** **23-04**

(52) **U.S. Cl.**
USPC **D23/385; D26/59**

(58) **Field of Classification Search**
USPC D23/351, 370, 371, 381, 385, 386, 388,
D23/411, 412; D26/59, 72, 74, 89, 118, 119
CPC ... F24F 13/28; F24F 7/007; F24F 2001/0037;
F24F 7/10; F24F 13/06; F24F 13/078; F21V
33/0088
See application file for complete search history.

(56) **References Cited**

U.S. PATENT DOCUMENTS

D282,972 S * 3/1986 Castor D26/59
D288,007 S * 1/1987 Jonas D23/366
D403,787 S * 1/1999 Van Belle D26/28

D452,904 S * 1/2002 Peng D23/370
D452,906 S * 1/2002 Peng D23/370
D511,379 S * 11/2005 Penlesky D23/412
D530,808 S * 10/2006 Sinur D23/385
D531,301 S * 10/2006 Sinur D23/385
D533,956 S * 12/2006 Vladika D26/118
D575,386 S * 8/2008 Jacak D23/371
D575,388 S * 8/2008 Deng D23/372
D618,782 S * 6/2010 Zakula D23/385
D667,162 S * 9/2012 Choi D26/89
D668,375 S * 10/2012 Daniels D26/89
D674,524 S * 1/2013 Davies D26/28
D679,046 S * 3/2013 Hoshino D26/120
8,967,832 B2 * 3/2015 Zakula 362/249.02

* cited by examiner

Primary Examiner — Susan Bennett Hattan

Assistant Examiner — Janice Hallmark

(74) *Attorney, Agent, or Firm* — Ladas & Parry LLP

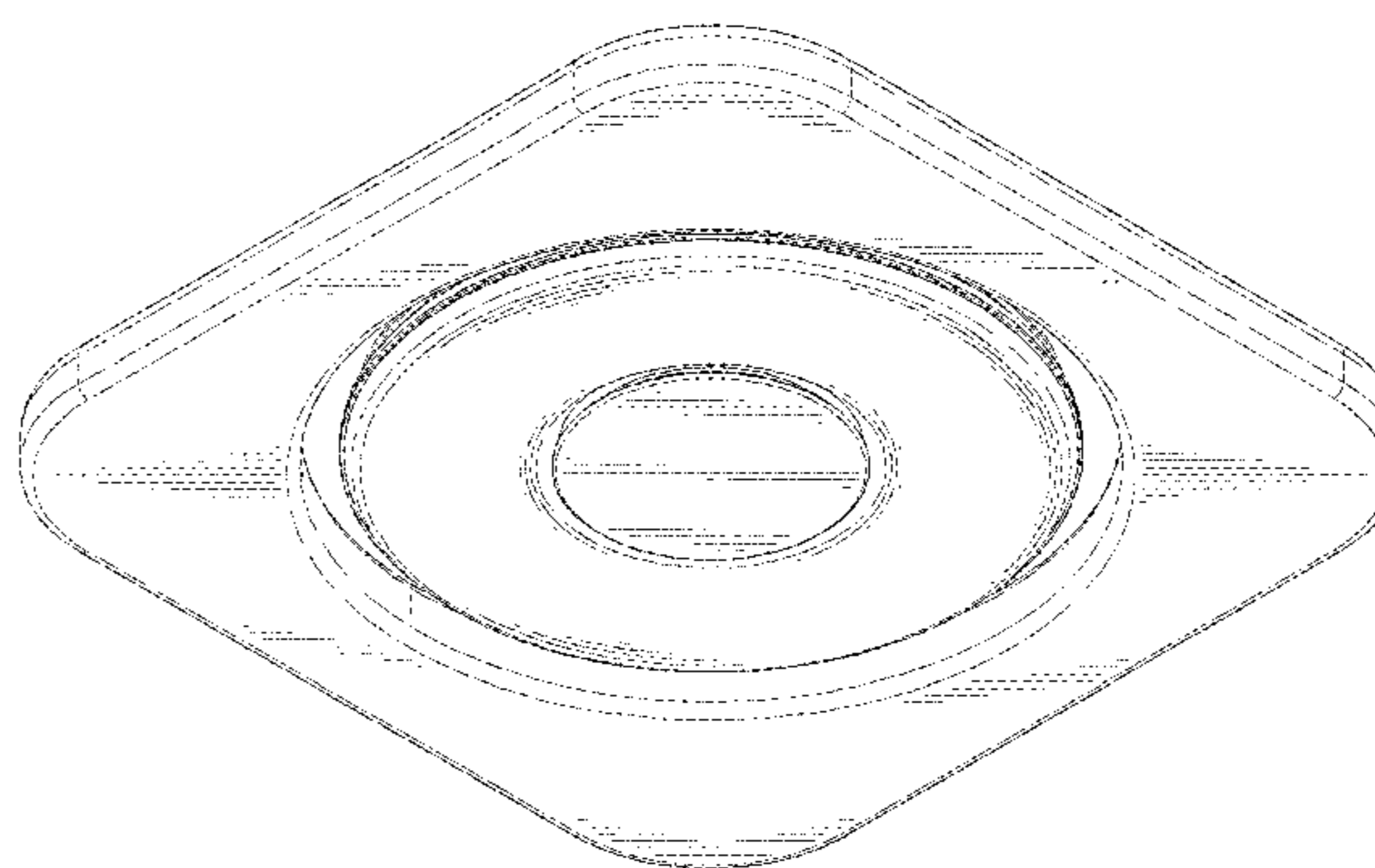
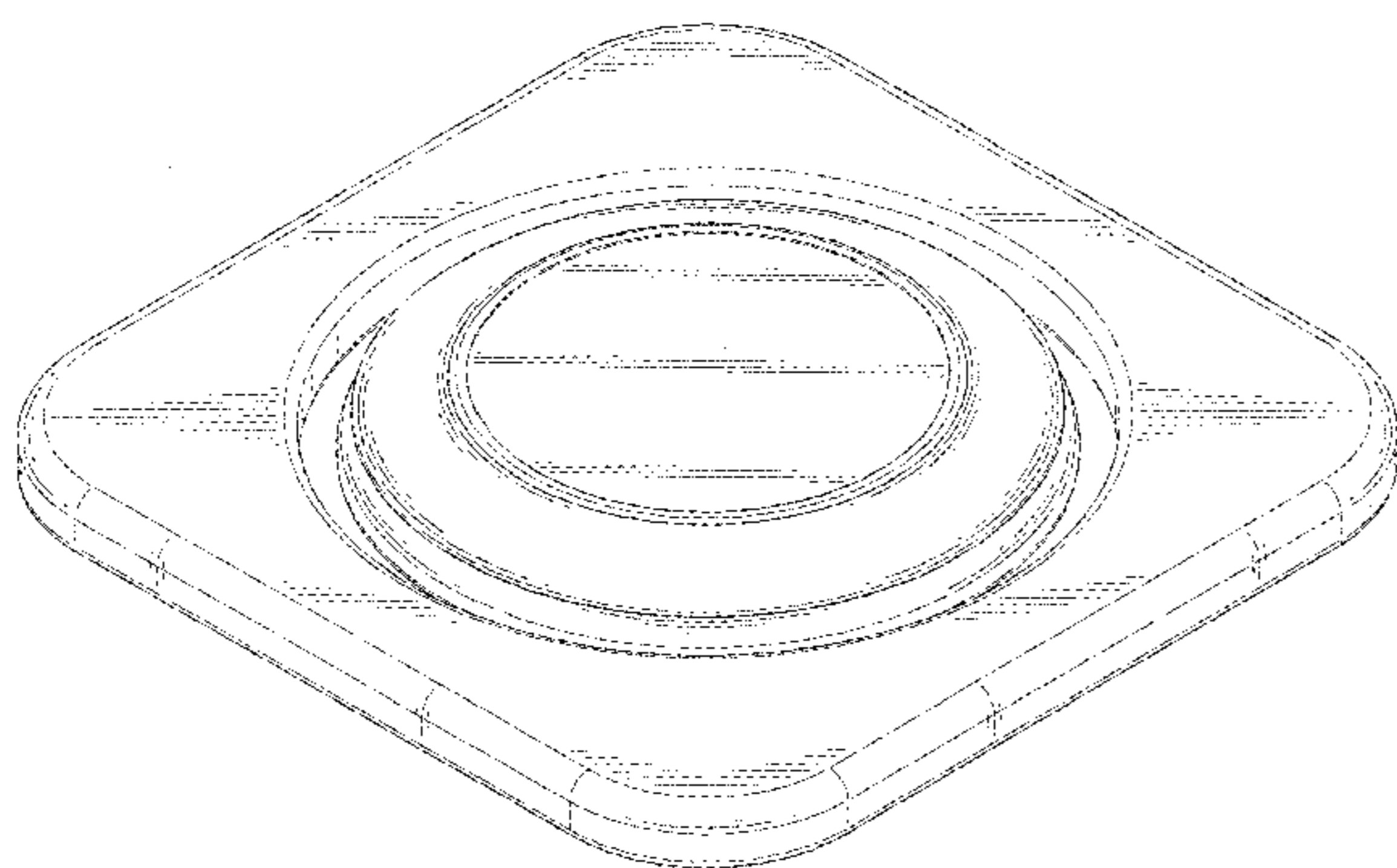
(57) **CLAIM**

The ornamental design for a ceiling fan with light, as shown and described.

DESCRIPTION

FIG. 1 is a perspective view of a ceiling fan with light showing our new design;
FIG. 2 is a front elevational view thereof;
FIG. 3 is a rear elevational view thereof;
FIG. 4 is a left side elevational view thereof;
FIG. 5 is a right side elevational view thereof;
FIG. 6 is atop plan view thereof;
FIG. 7 is a bottom plan view thereof; and,
FIG. 8 is a perspective view of the ceiling fan with light, viewed from below.

1 Claim, 6 Drawing Sheets



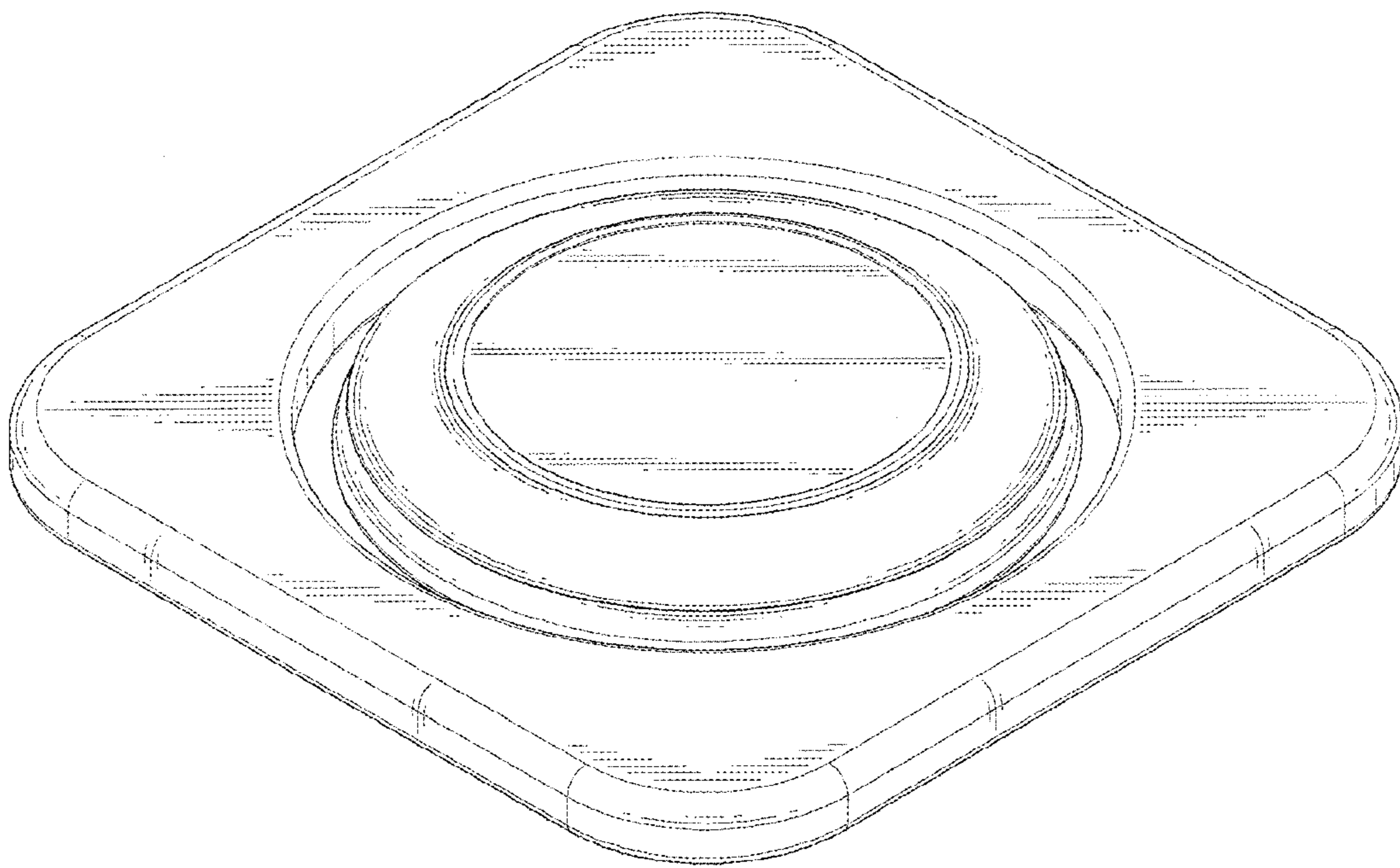


FIG. 1

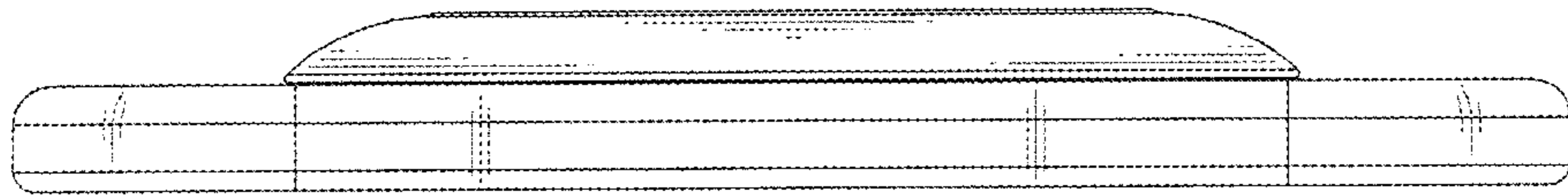


FIG. 2

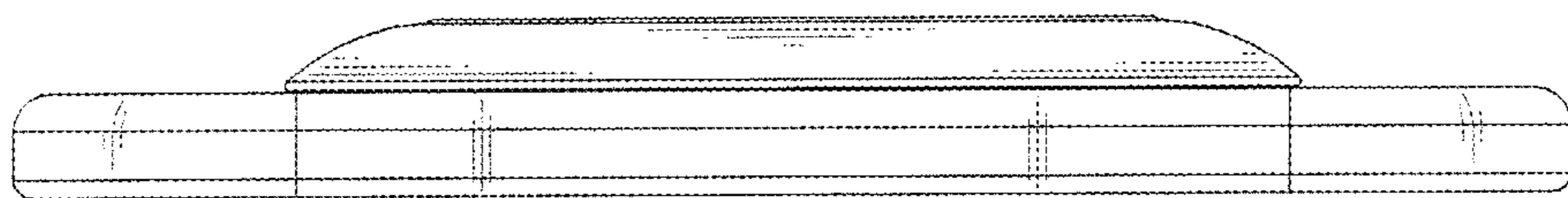


FIG. 3

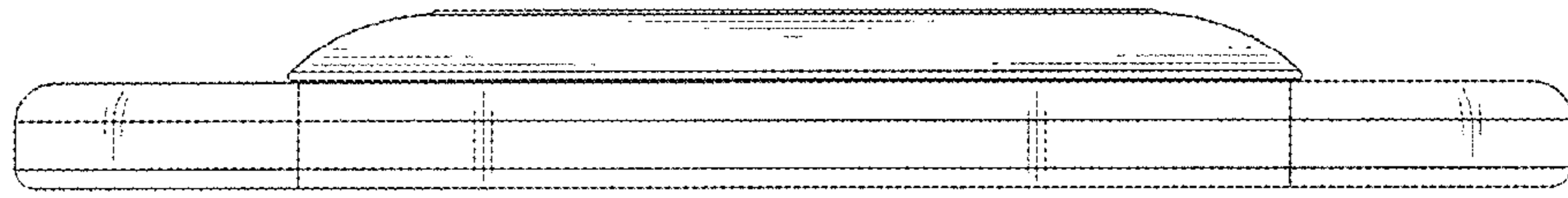


FIG. 4

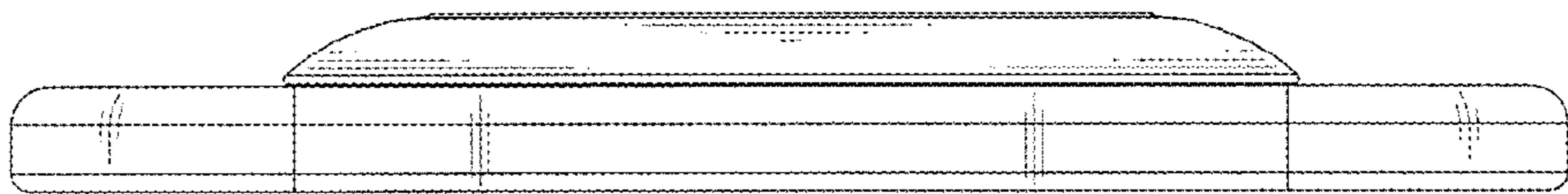


FIG. 5

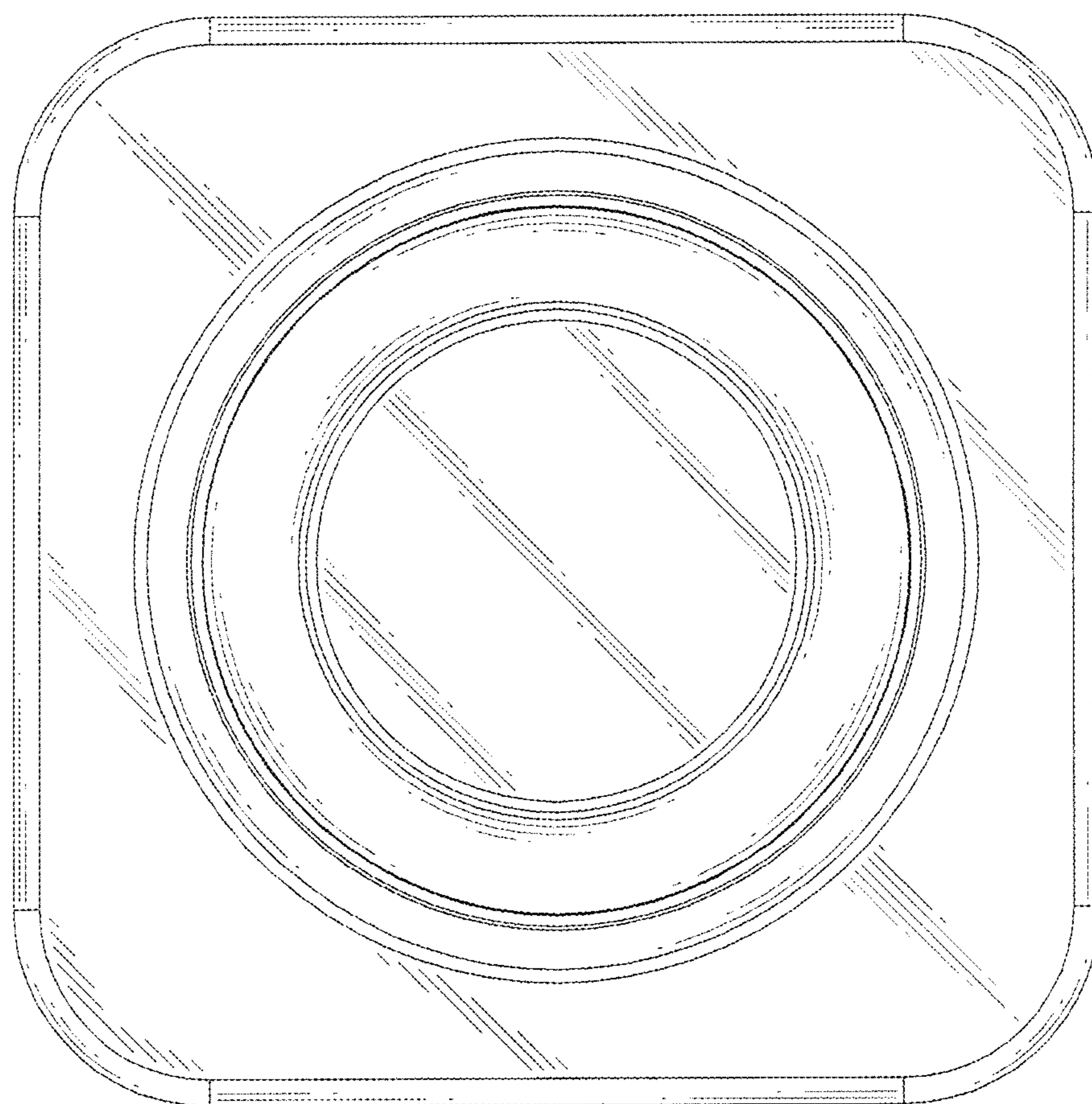


FIG. 6

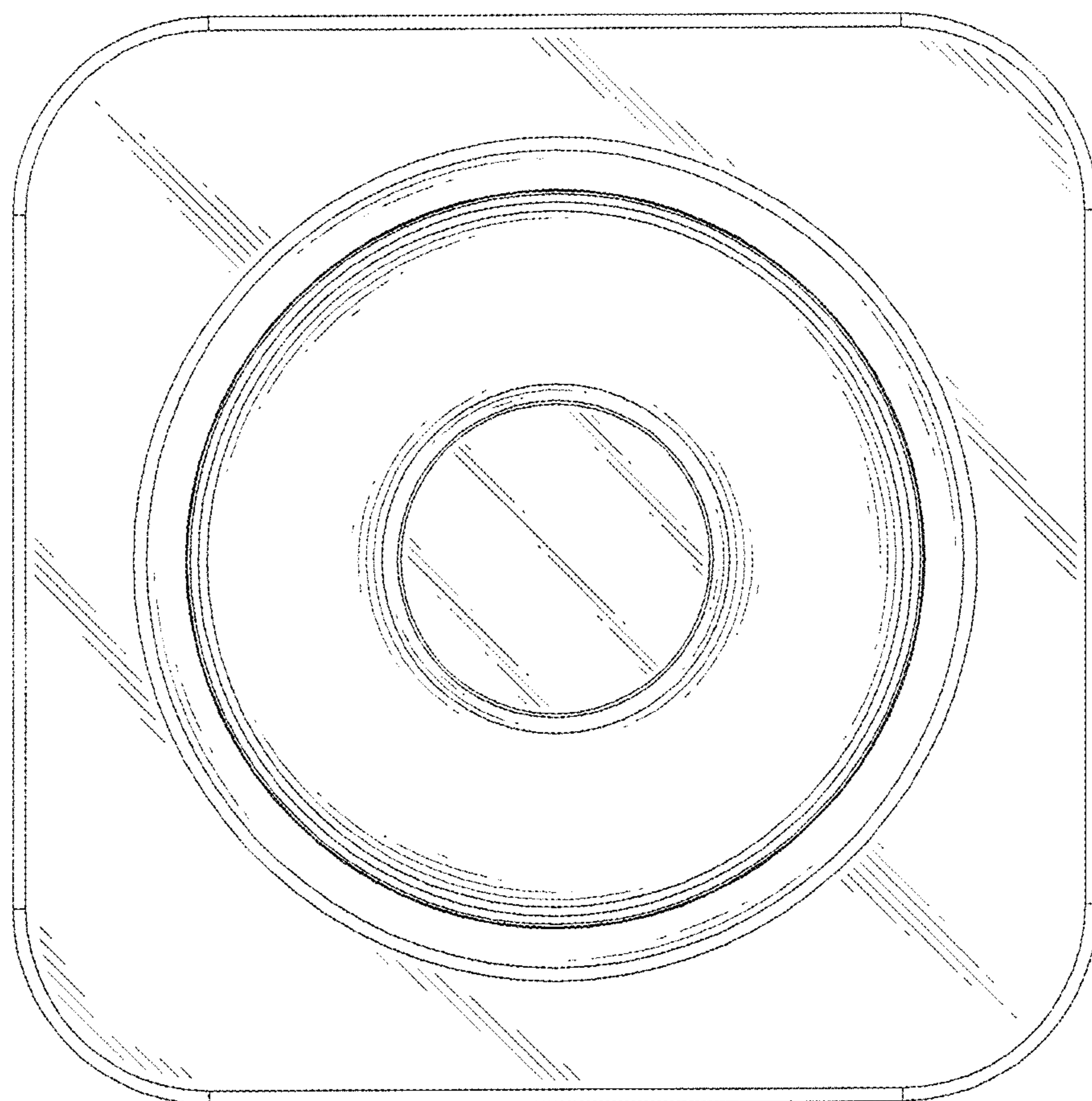


FIG. 7

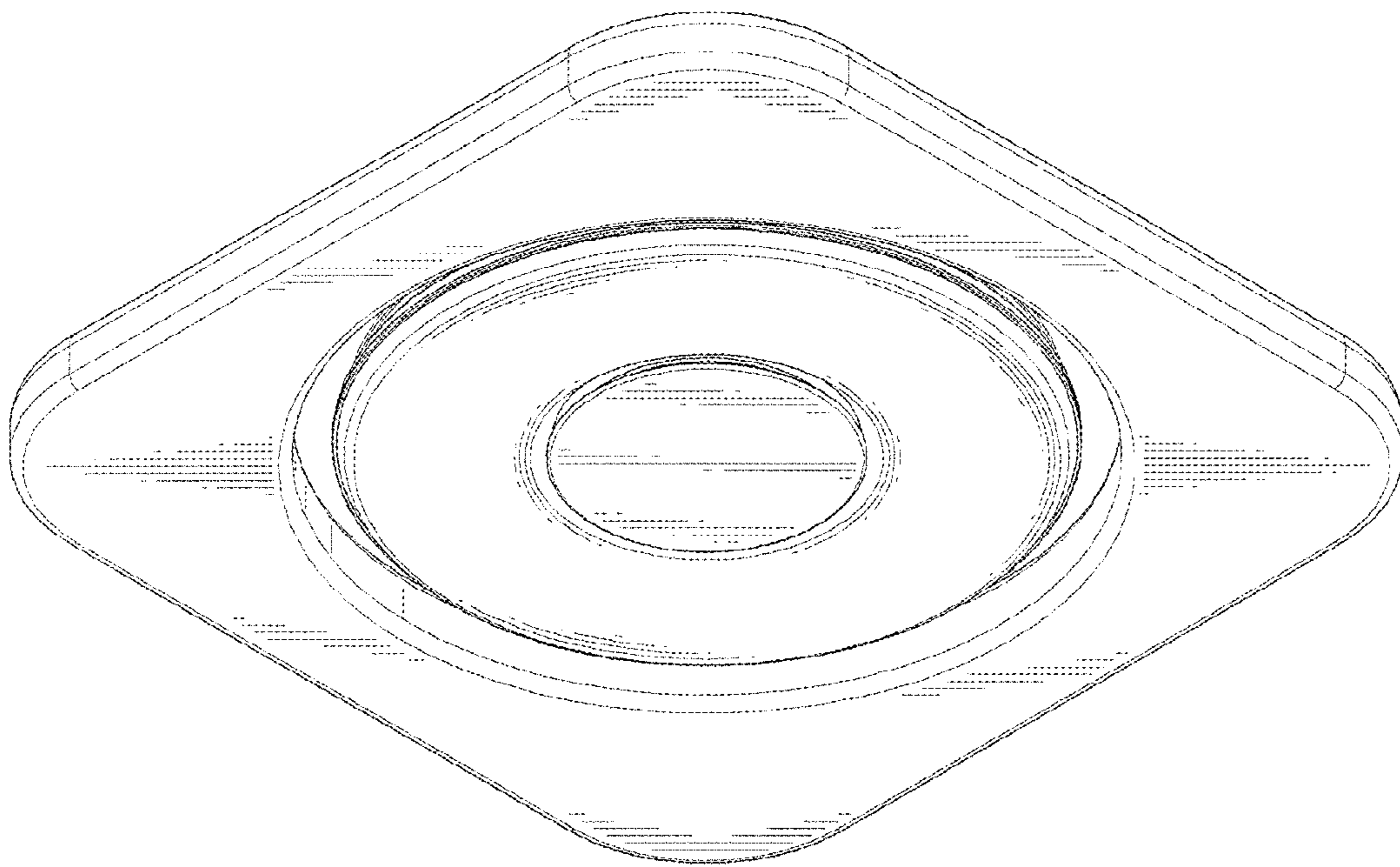


FIG. 8