



US00D754832S

(12) **United States Design Patent**
Seo et al.

(10) **Patent No.:** **US D754,832 S**
(45) **Date of Patent:** **** Apr. 26, 2016**

(54) **ULTRASONIC HUMIDIFICATION
GENERATION MODULE**

(71) Applicant: **GenieBio Corporation**, Incheon (KR)

(72) Inventors: **Dong-Jin Seo**, Seoul (KR); **Min-Seok Kim**, Incheon (KR); **Yong-Ju Oh**, Incheon (KR)

(73) Assignee: **GenieBio Corporation**, Incheon (KR)

(**) Term: **14 Years**

(21) Appl. No.: **29/511,741**

(22) Filed: **Dec. 12, 2014**

(51) **LOC (10) Cl.** **23-04**

(52) **U.S. Cl.**
USPC **D23/365**

(58) **Field of Classification Search**

USPC D23/355, 356, 359, 360, 364, 366, 368,
D23/386, 332; D15/79; 55/356, 473, 504;
422/120, 122; 96/97

CPC A61L 9/16; A61L 9/22; B01D 47/00;
B01D 47/027; B01D 2221/02; B01D
2259/4508; B03C 3/155; F24F 3/16; F24F
13/20; F24F 13/28; F24F 2001/0096; F24F
3/1405; F24F 3/1603; F24F 13/222

See application file for complete search history.

(56) **References Cited**

U.S. PATENT DOCUMENTS

D201,721 S *	7/1965	Katzman et al.	D23/356
D205,648 S *	8/1966	Katzman et al.	D23/356
D252,640 S *	8/1979	Nederman	D23/365
D255,712 S *	7/1980	Chihara	D23/356
4,473,382 A *	9/1984	Cheslock	B03C 3/155 361/231
D364,676 S *	11/1995	Chiu	D23/356
D383,202 S *	9/1997	Meister	D23/364
D551,745 S *	9/2007	Aulwes	D23/355
D685,896 S *	7/2013	Niedermann	D23/356

* cited by examiner

Primary Examiner — Ralf Seifert

(74) *Attorney, Agent, or Firm* — Novick, Kim & Lee, PLLC;
Sang Ho Lee

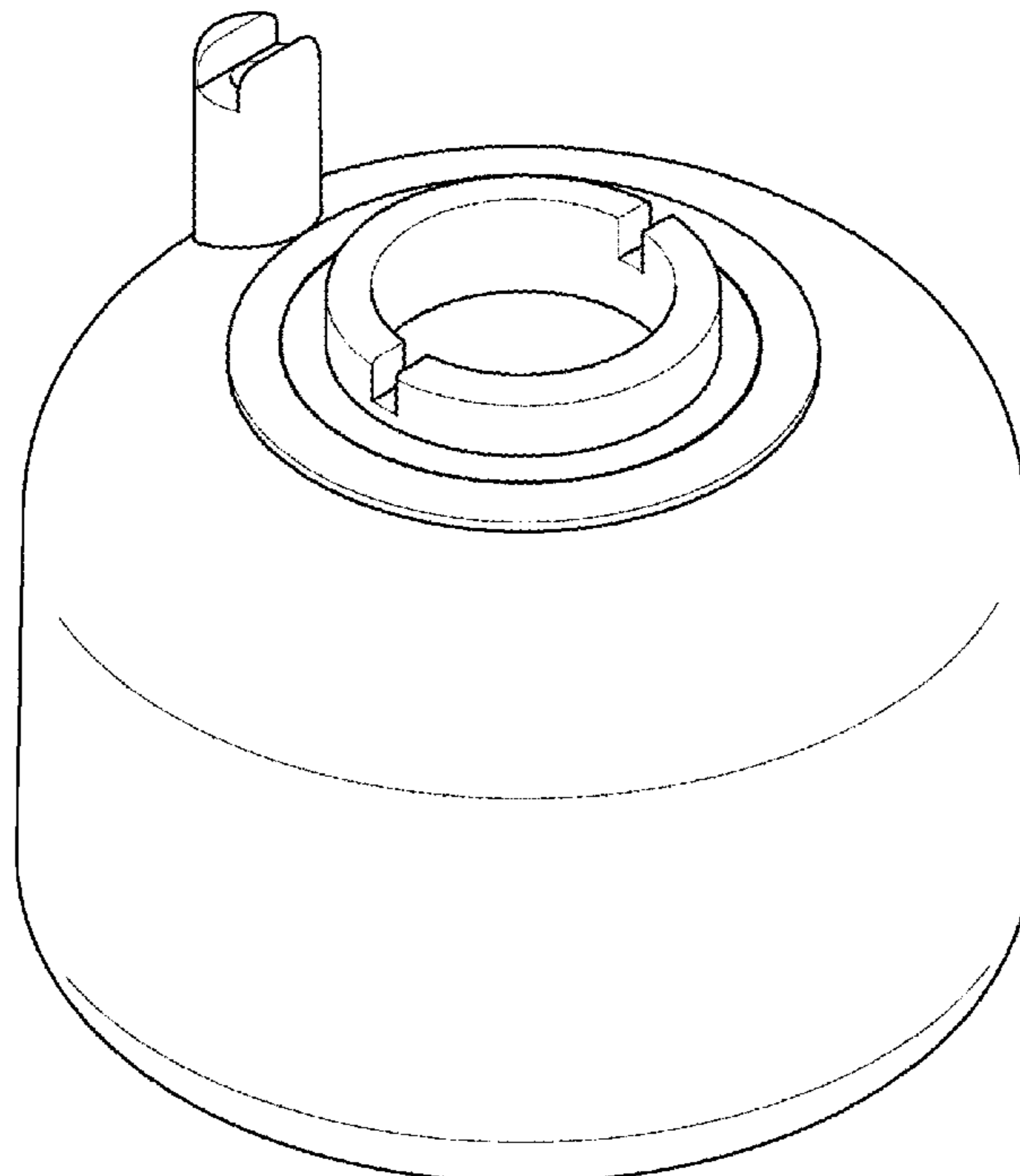
(57) **CLAIM**

The ornamental design for a ultrasonic humidification generation module, as shown and described.

DESCRIPTION

FIG. 1 is a front perspective view of a ultrasonic humidification generation module according to the new design;
FIG. 2 is a front elevational view thereof;
FIG. 3 is a rear elevational view thereof;
FIG. 4 is a left side elevational view thereof;
FIG. 5 is a right side elevational view thereof;
FIG. 6 is a top plan view thereof; and,
FIG. 7 is a bottom plan view thereof.

1 Claim, 7 Drawing Sheets



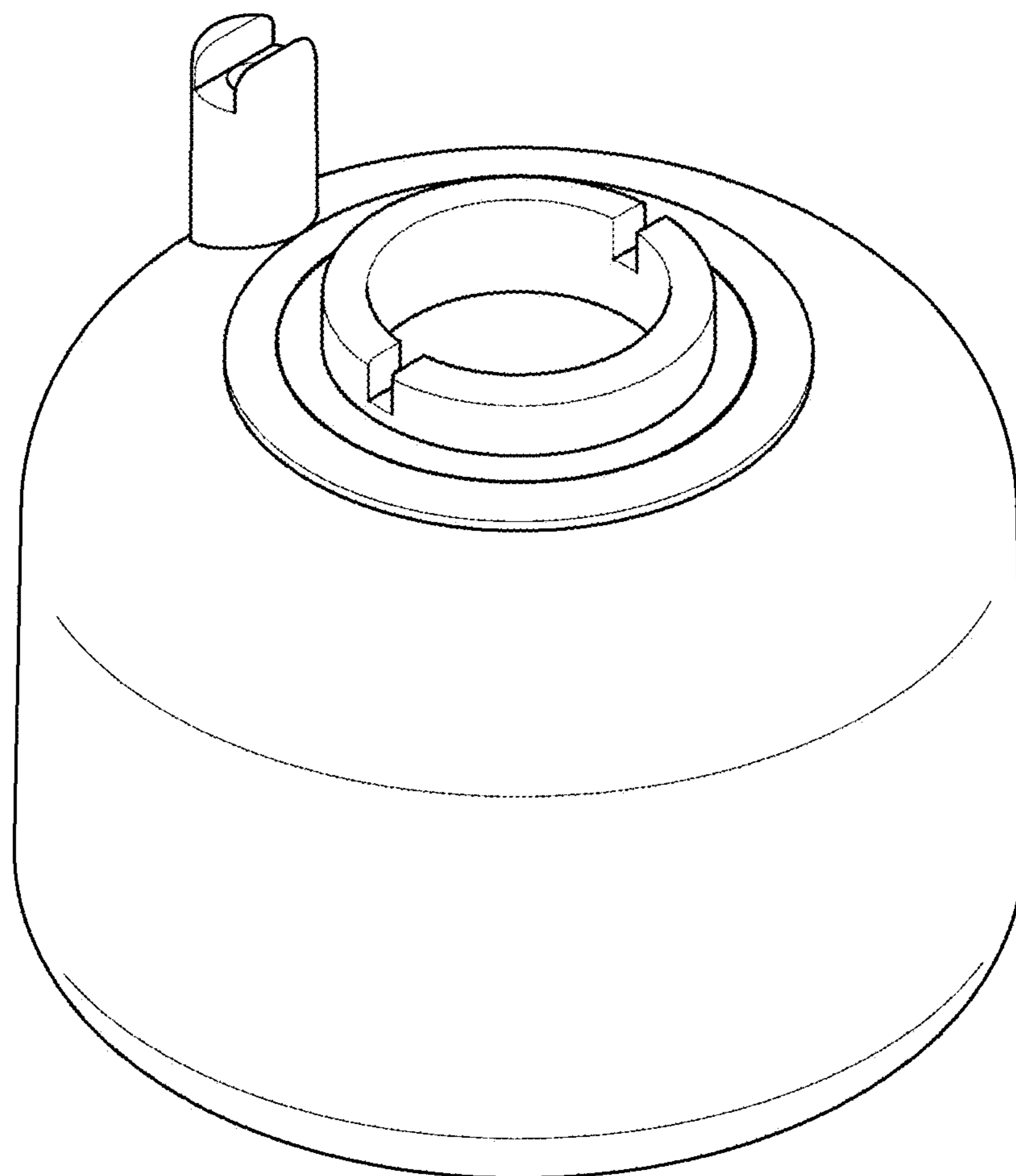


FIG. 1

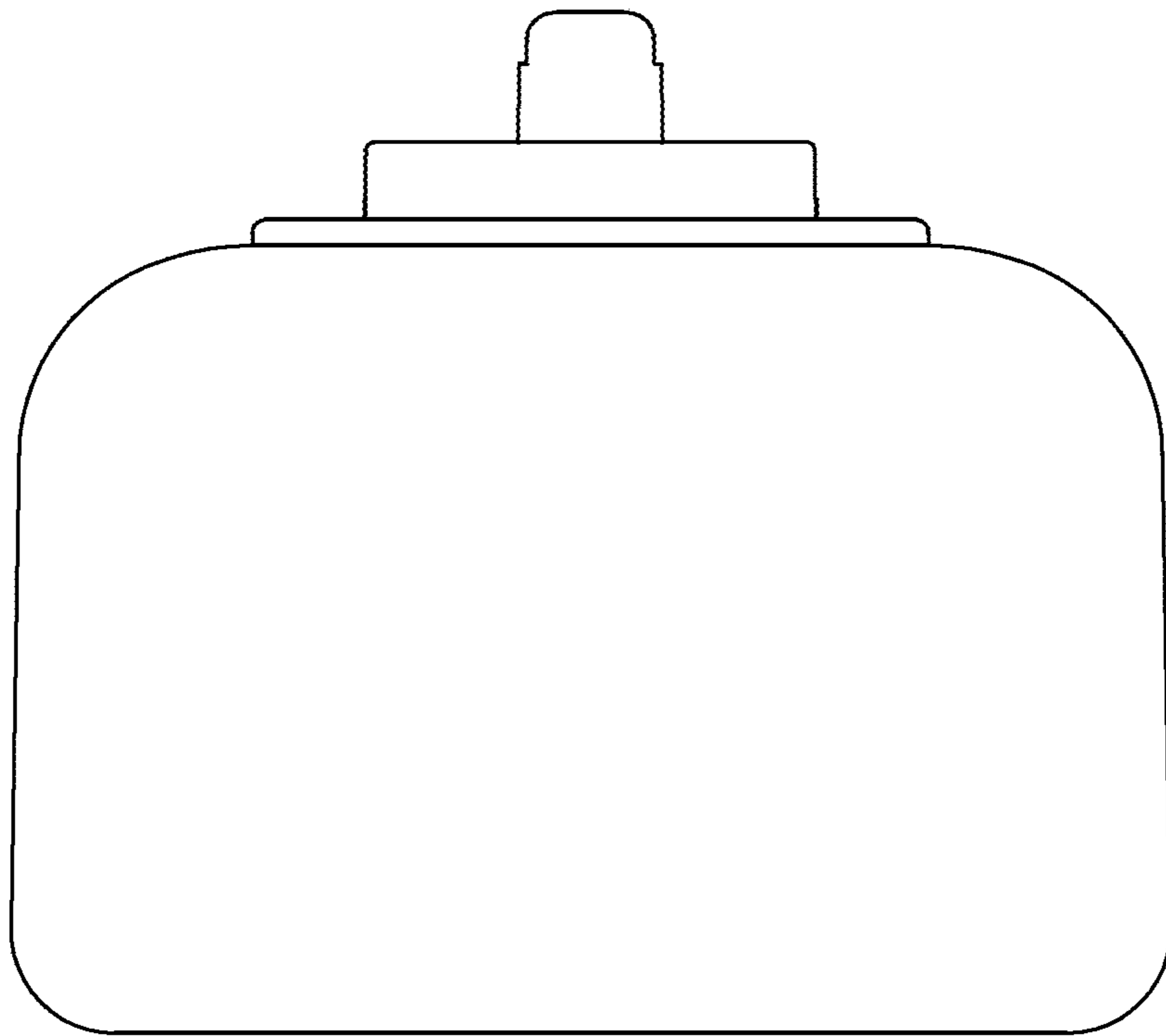


FIG. 2

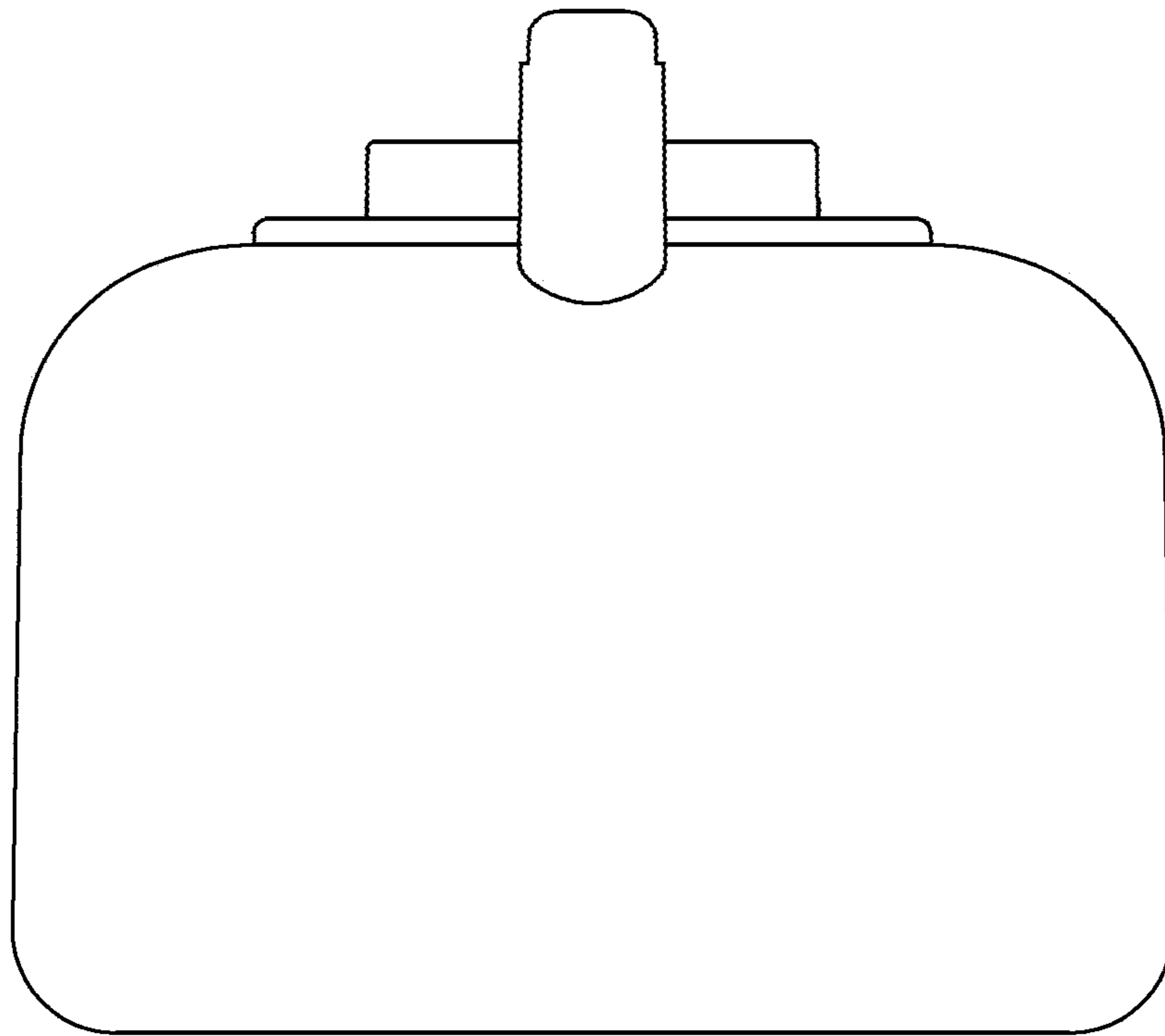


FIG. 3

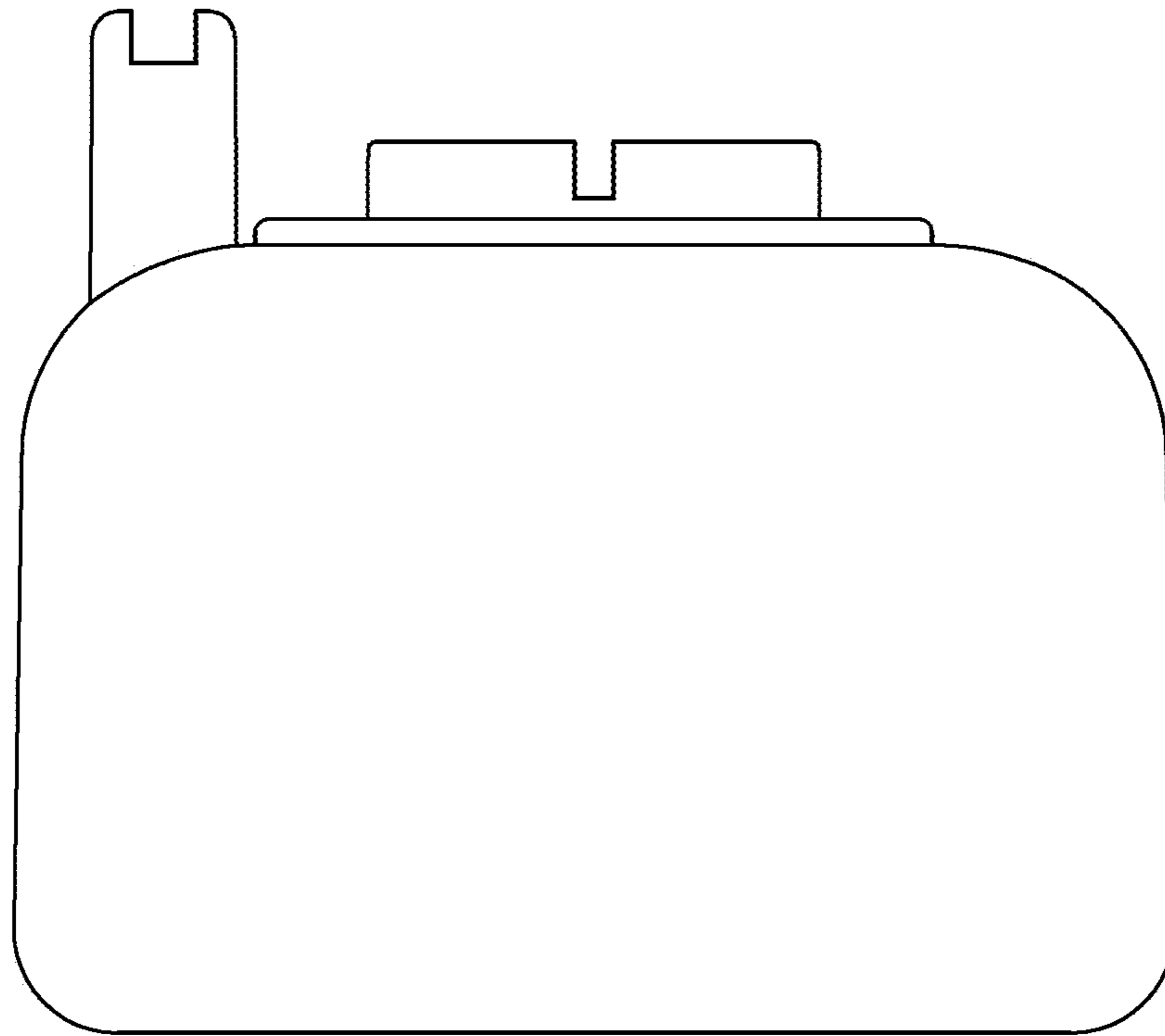


FIG. 4

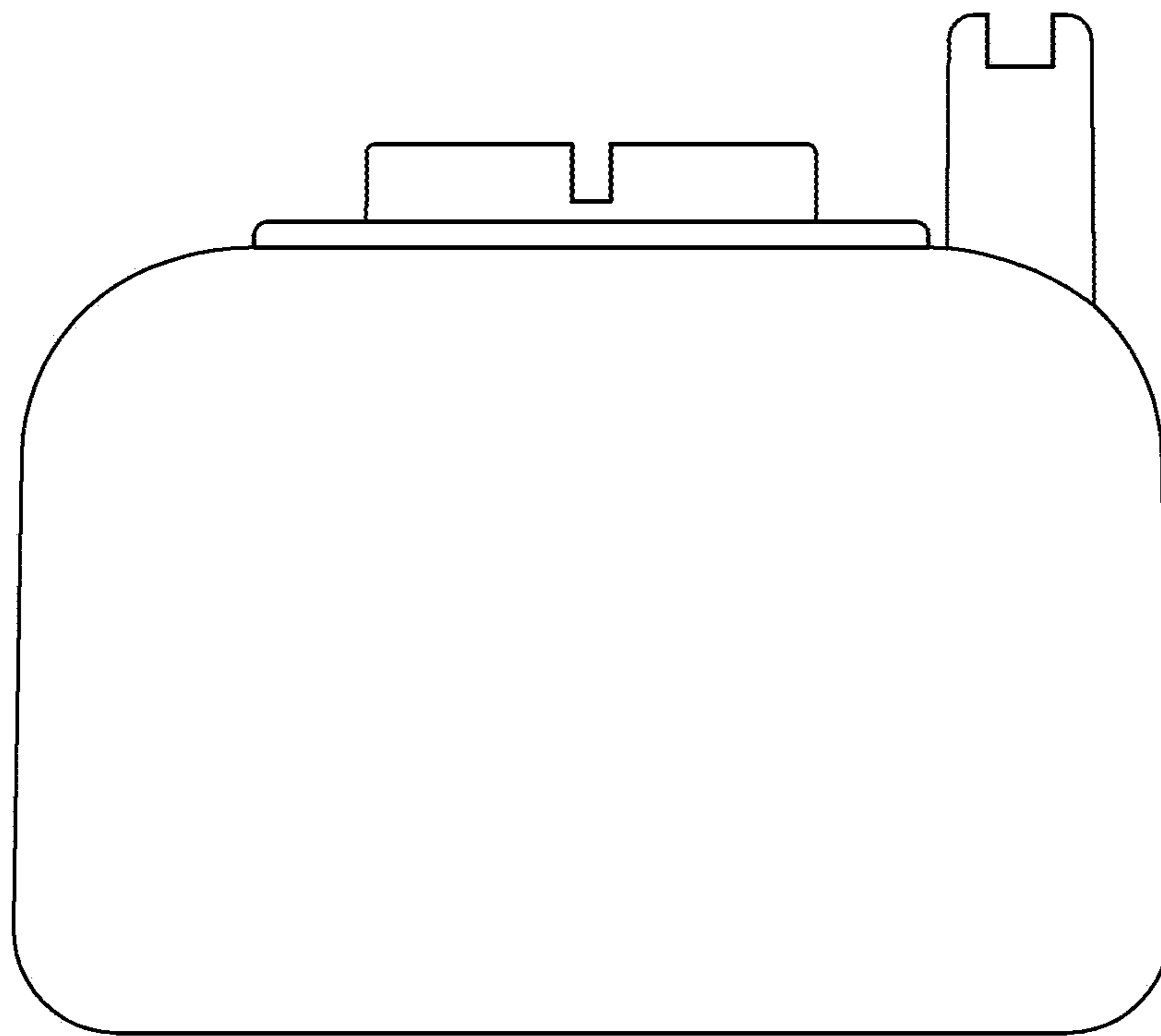


FIG. 5

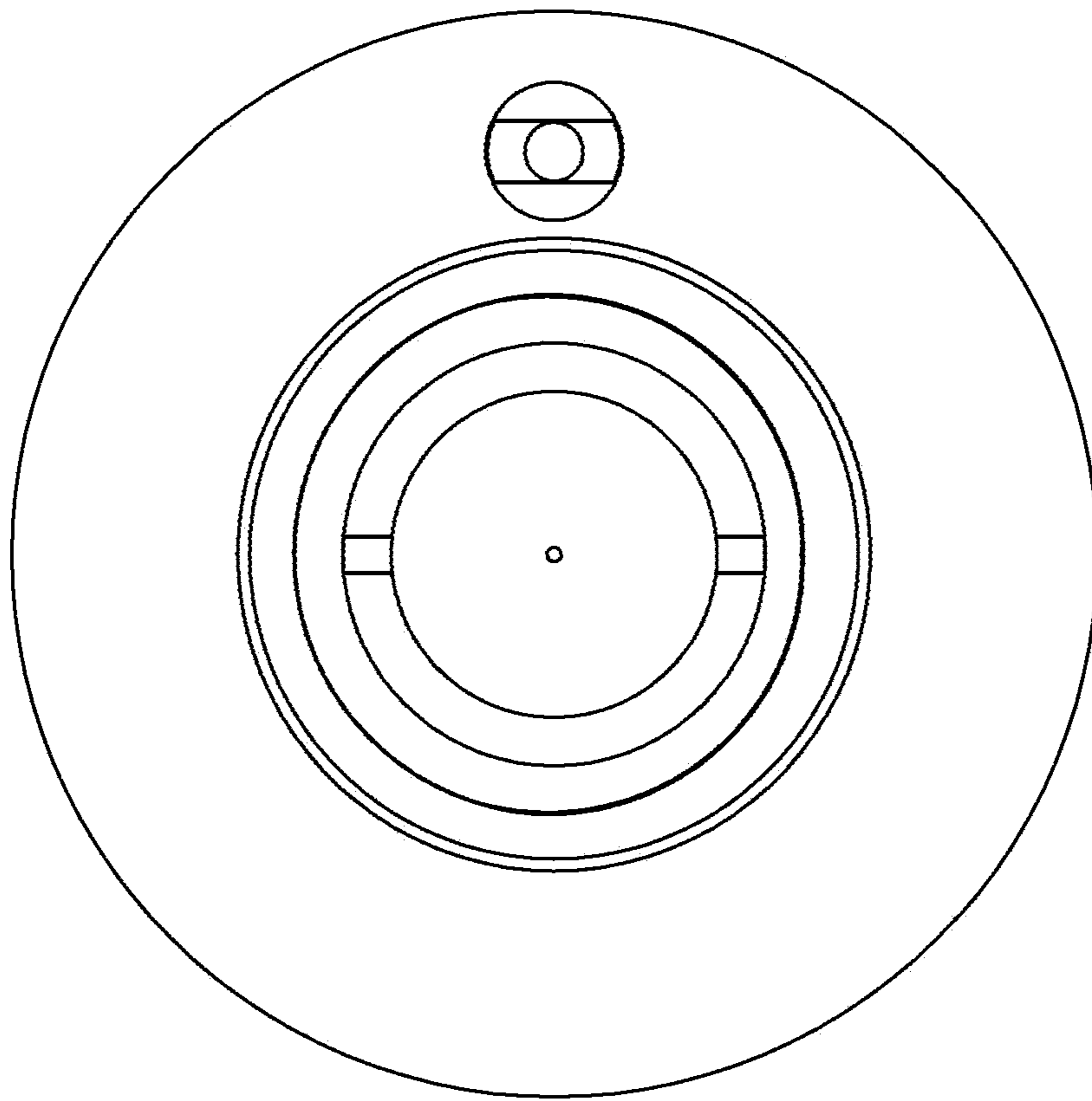


FIG. 6

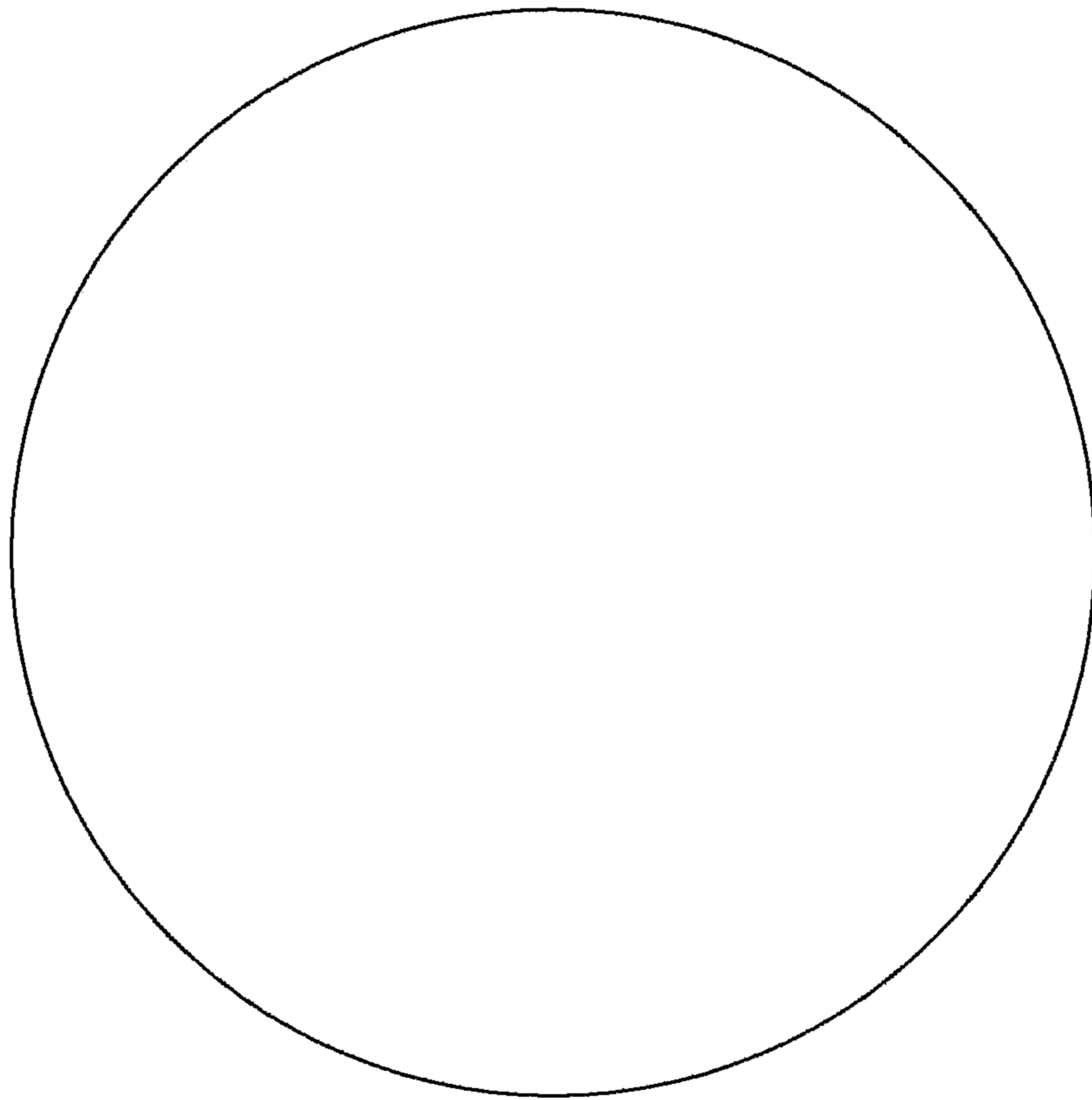


FIG. 7