



US00D754830S

(12) **United States Design Patent**
Huang et al.

(10) **Patent No.:** **US D754,830 S**
(45) **Date of Patent:** **** Apr. 26, 2016**

(54) **AIR CONDITIONER**

(71) Applicant: **GREE ELECTRIC APPLIANCES, INC. OF ZHUHAI**, Guangdong (CN)

(72) Inventors: **Hui Huang**, Guangdong (CN); **Zhen Zhang**, Guangdong (CN); **Sha Li**, Guangdong (CN); **Shaolin Chen**, Guangdong (CN); **Yan Ruan**, Guangdong (CN); **Zhaigu Fu**, Guangdong (CN); **Yongliang An**, Guangdong (CN); **Caihua Peng**, Guangdong (CN); **Tangtang Gu**, Guangdong (CN); **Heqing Zheng**, Guangdong (CN)

(73) Assignee: **GREE ELECTRIC APPLIANCES, INC. OF ZHUHAI**, Guangdong (CN)

(**) Term: **14 Years**

(21) Appl. No.: **29/478,076**

(22) Filed: **Dec. 31, 2013**

(30) **Foreign Application Priority Data**

Jul. 4, 2013 (CN) 2013 3 0308055

(51) **LOC (10) Cl.** **23-04**

(52) **U.S. Cl.**
USPC **D23/351**

(58) **Field of Classification Search**
USPC D23/314, 332, 333, 335, 351, 353, 354, D23/355, 356, 359, 364, 365, 370, 385, 386, D23/388, 393
CPC . F24F 2001/0048; F24F 13/20; F24F 1/0003; F24F 13/082
See application file for complete search history.

(56) **References Cited**

U.S. PATENT DOCUMENTS

D448,072 S * 9/2001 Wakasa D23/351
D487,142 S * 2/2004 Yoo D23/351

D529,593 S * 10/2006 Mishiro et al. D23/351
D568,975 S * 5/2008 Lim D23/351
D580,536 S * 11/2008 Oh et al. D23/351
D581,504 S * 11/2008 Nakamura et al. D23/351
D584,389 S * 1/2009 Oh et al. D23/351
D584,806 S * 1/2009 Oh et al. D23/351
D605,265 S * 12/2009 Nakamura et al. D23/351
D613,843 S * 4/2010 Ohta D23/351
D624,167 S * 9/2010 Mishiro et al. D23/351
D648,013 S * 11/2011 Baek et al. D23/351
D648,015 S * 11/2011 Baek et al. D23/351
D674,068 S * 1/2013 Baek et al. D23/351
D676,119 S * 2/2013 Baek et al. D23/351
D683,833 S * 6/2013 Chouji et al. D23/351
D685,072 S * 6/2013 Li et al. D23/351
D685,895 S * 7/2013 Huang D23/351
D700,690 S * 3/2014 Chouji et al. D23/351
D701,295 S * 3/2014 Chouji et al. D23/351
D706,914 S * 6/2014 Chen D23/351
D709,171 S * 7/2014 Chouji D23/351
D720,444 S * 12/2014 Chouji et al. D23/351
D720,842 S * 1/2015 Chouji et al. D23/351
D733,274 S * 6/2015 An et al. D23/351
2002/0189274 A1 * 12/2002 Lee et al. 62/298

* cited by examiner

Primary Examiner — Elizabeth Albert

(74) *Attorney, Agent, or Firm* — Koppel, Patrick, Heybl & Philpott

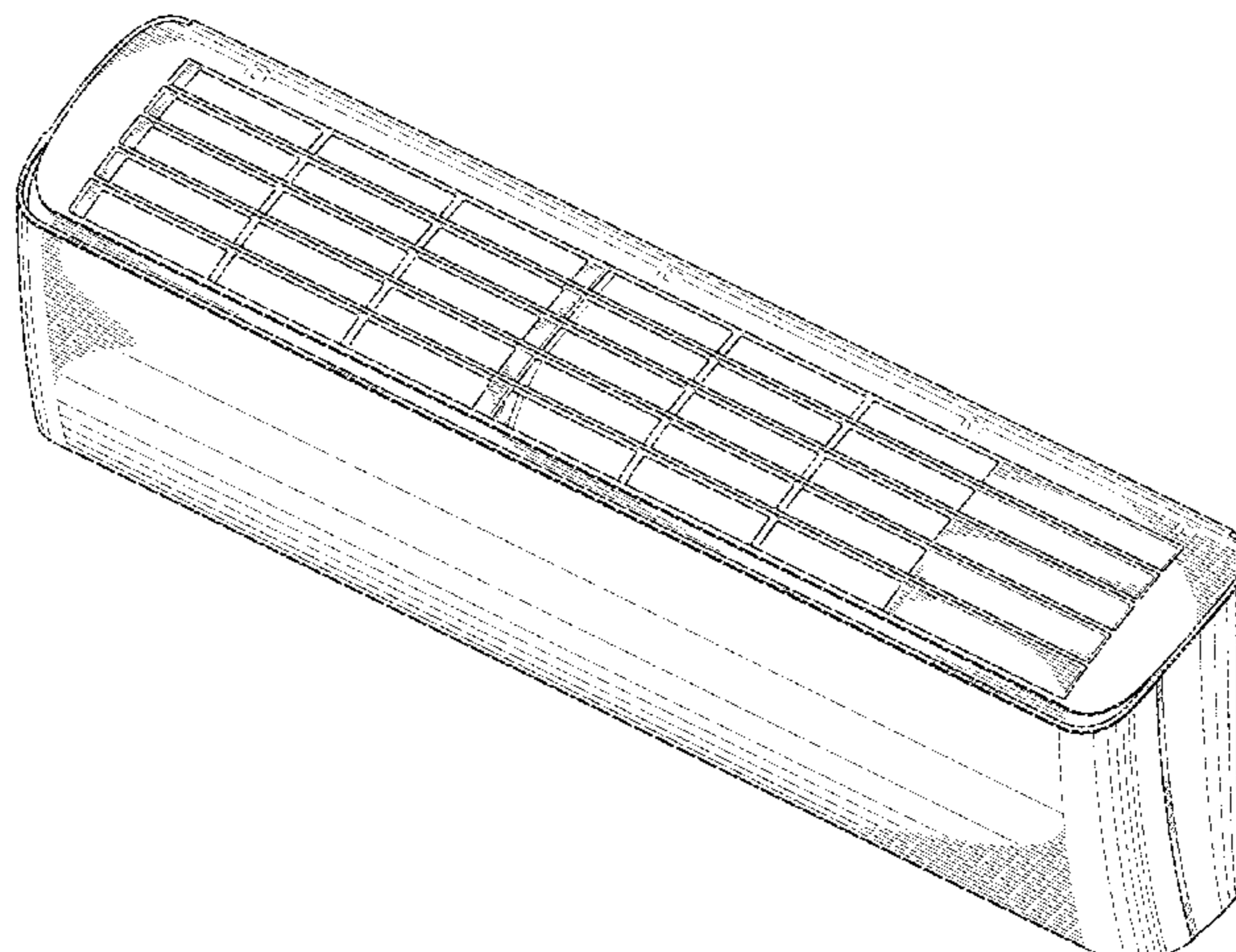
(57) **CLAIM**

The ornamental design for an air conditioner, as shown and described.

DESCRIPTION

FIG. 1 is a perspective view of an air conditioner according to my new design;
FIG. 2 is a top view thereof;
FIG. 3 is a bottom view thereof;
FIG. 4 is a right side view thereof;
FIG. 5 is a left side view thereof; and,
FIG. 6 is a front view thereof.
The broken lines shown in the figures show environmental subject matter that forms no part of the claimed design.

1 Claim, 4 Drawing Sheets



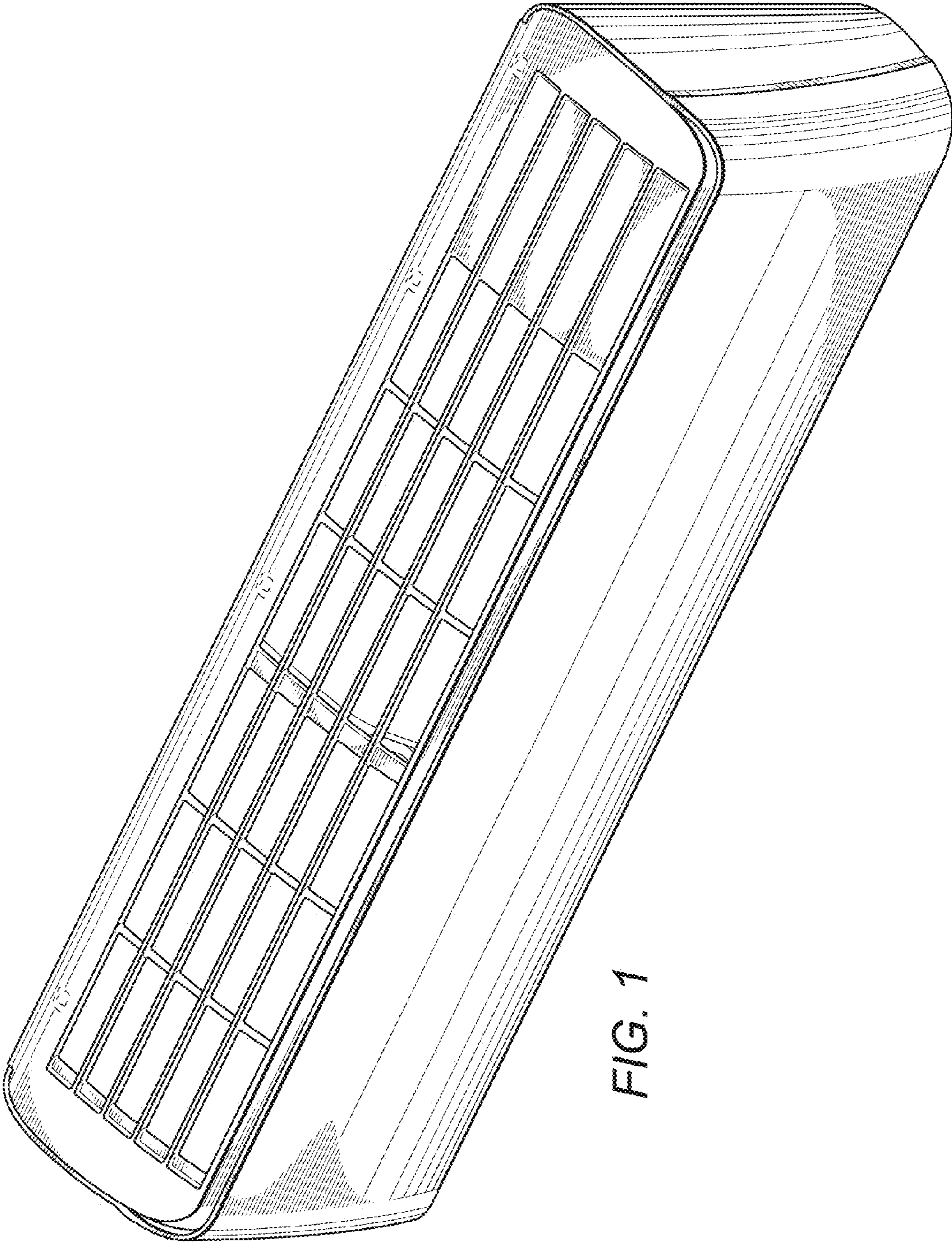


FIG. 1

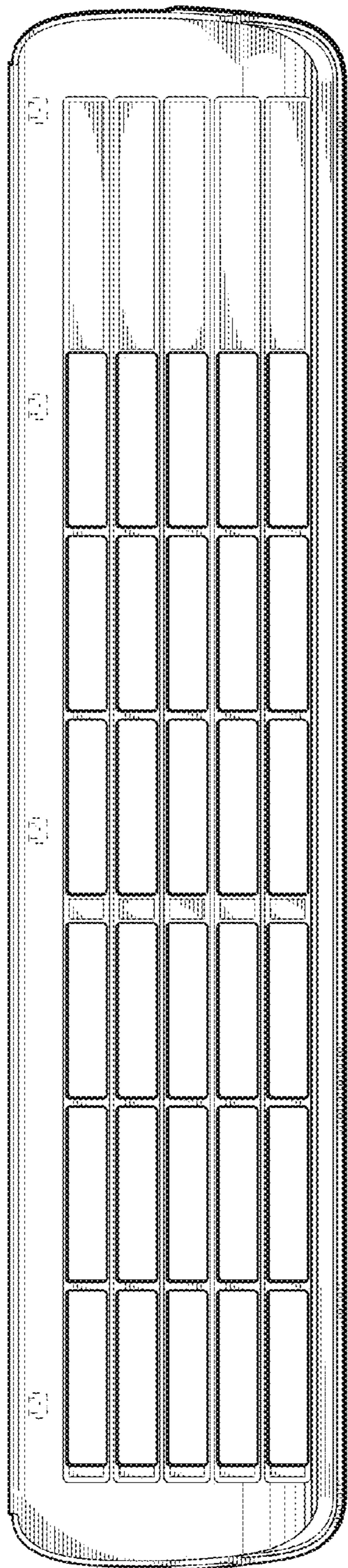


FIG. 2

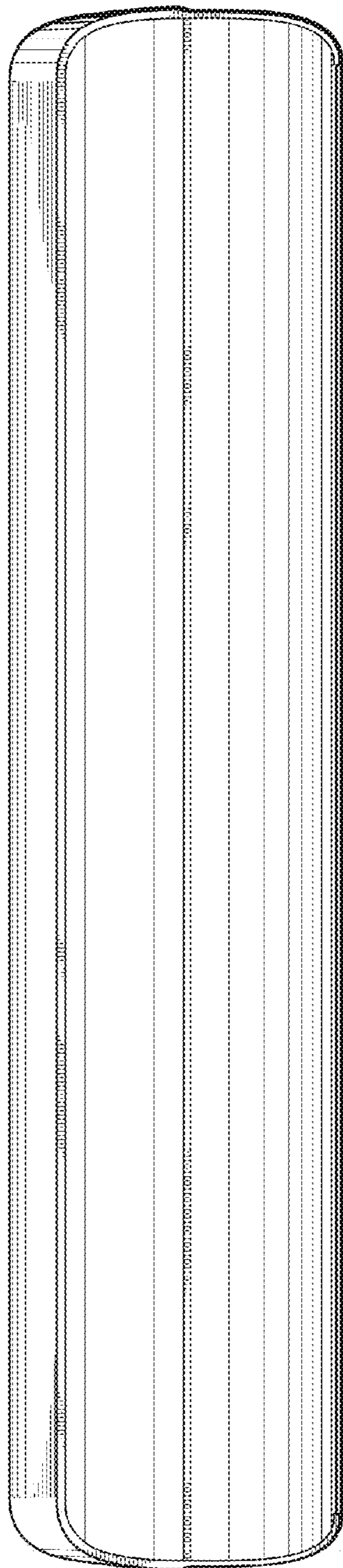


FIG. 3

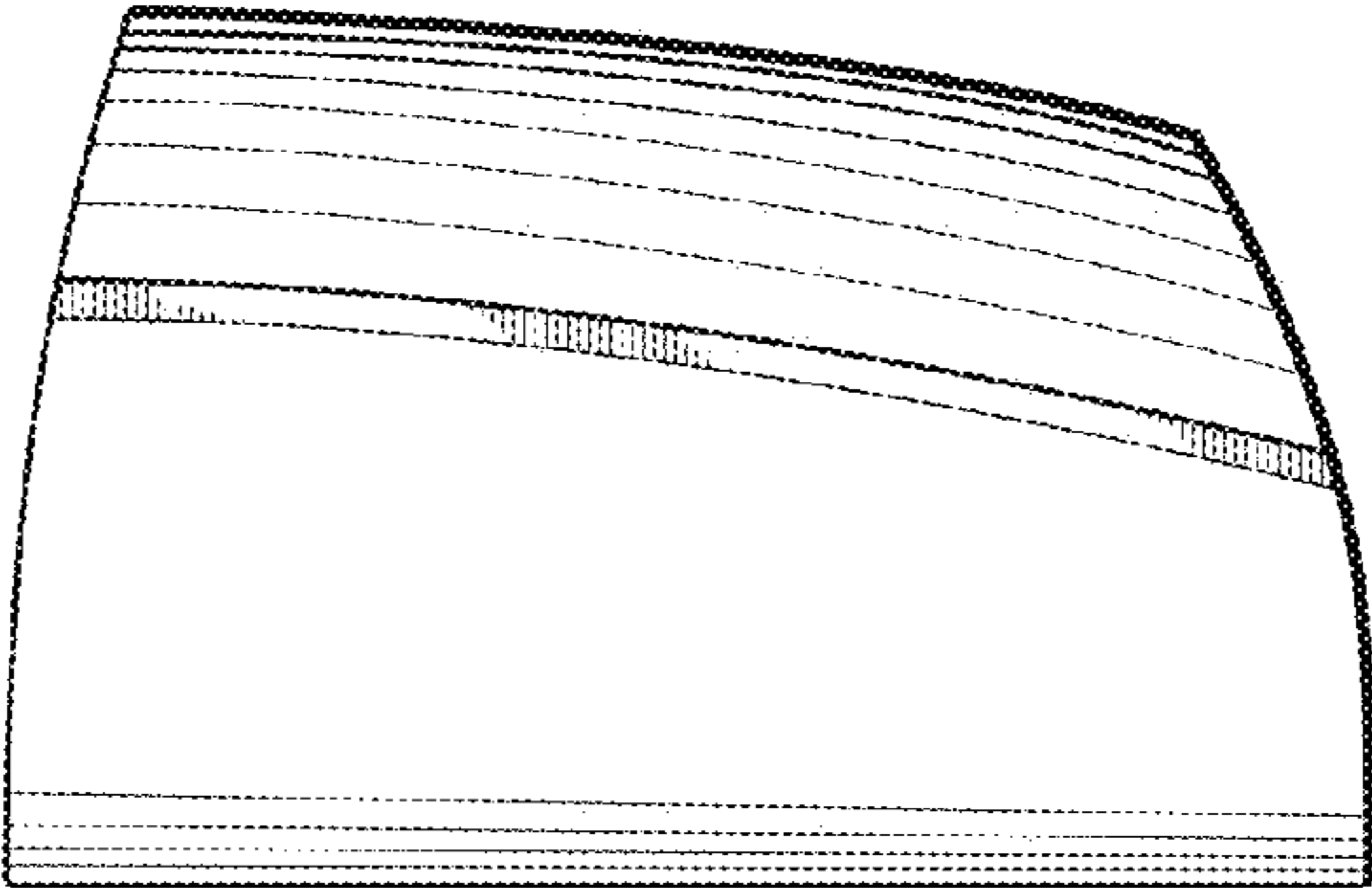


FIG. 5



FIG. 4

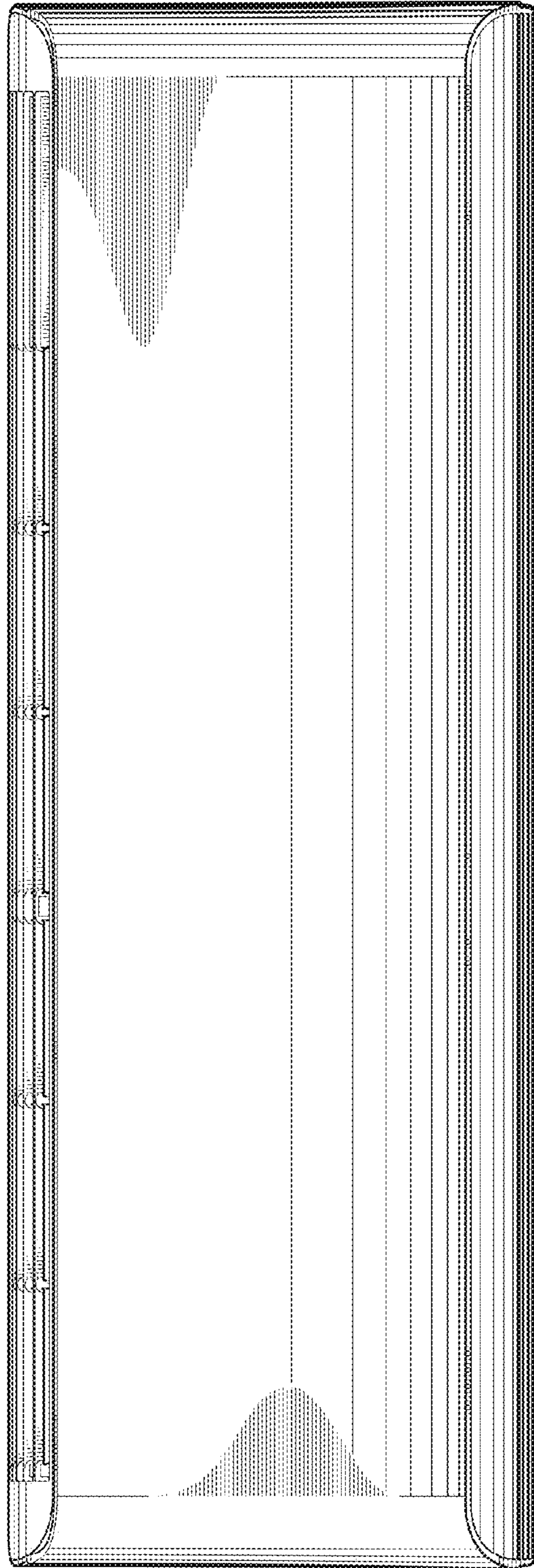


FIG. 6