



US00D754828S

(12) **United States Design Patent**
Niimura et al.

(10) **Patent No.:** **US D754,828 S**
(45) **Date of Patent:** **** Apr. 26, 2016**

- (54) **FITTING FOR A FAUCET**
- (71) Applicant: **mitsubishi rayon co., ltd.**,
Tokyo (JP)
- (72) Inventors: **Masashi Niimura**, Tokyo (JP);
Hideyuki Terui, Tokyo (JP)
- (73) Assignee: **mitsubishi rayon co., ltd.**,
Tokyo (JP)
- (**) Term: **14 Years**
- (21) Appl. No.: **29/514,605**
- (22) Filed: **Jan. 14, 2015**
- (30) **Foreign Application Priority Data**
Jul. 15, 2014 (JP) 2014-015438
- (51) **LOC (10) Cl.** **23-01**
- (52) **U.S. Cl.**
USPC **D23/259**
- (58) **Field of Classification Search**
USPC D23/209, 233, 235, 238, 249, 253, 254,
D23/257, 259-269, 303, 304, 308;
D12/197; D9/435
CPC B01D 35/04; B01D 29/13; B01D 29/19;
B01D 36/006; B01D 2201/295; B01D
2201/304; F02M 37/221; A47K 3/28; A47K
3/30; A47K 3/281; A47K 3/283; E03C 1/20;
E03C 1/26; E03C 1/28; E03C 1/122; E03C
1/262; E03C 1/292; E03F 5/02; E03F 5/04;
F16L 37/252; F16L 41/007; F16L 43/008;
F16L 55/07; F16L 25/0036; B08B 9/032
See application file for complete search history.

- (56) **References Cited**
U.S. PATENT DOCUMENTS
3,571,821 A * 3/1971 Kaiser E03C 1/0401
137/359
3,669,141 A 6/1972 Schmitt

- 4,502,165 A 3/1985 Szemeredi et al.
- 4,584,723 A * 4/1986 Hussauf E03C 1/042
137/270
- 4,593,430 A * 6/1986 Spangler B25G 3/18
16/422
- 4,671,316 A * 6/1987 Botnick E03C 1/04
137/315.12
- 4,848,395 A 7/1989 Krippendorf
- 5,010,922 A 4/1991 Agresta
- 5,822,811 A * 10/1998 Ko E03C 1/0401
4/675
- 5,865,209 A 2/1999 Vidal
- 6,062,251 A * 5/2000 Pitsch F16K 11/0787
137/270
- 6,334,226 B1 1/2002 Tokunaga et al.
- 6,718,568 B1 * 4/2004 Hensley E03C 1/04
4/675
- D491,635 S * 6/2004 Lin D23/249
- D493,693 S * 8/2004 Lord D8/352
- 6,792,629 B2 9/2004 Nelson et al.
- 6,953,314 B2 10/2005 Magagna
- 7,003,818 B2 * 2/2006 McNerney E03C 1/0401
4/675
- D526,048 S * 8/2006 Schaffeld D23/249
- D534,988 S * 1/2007 Yang D23/238

(Continued)

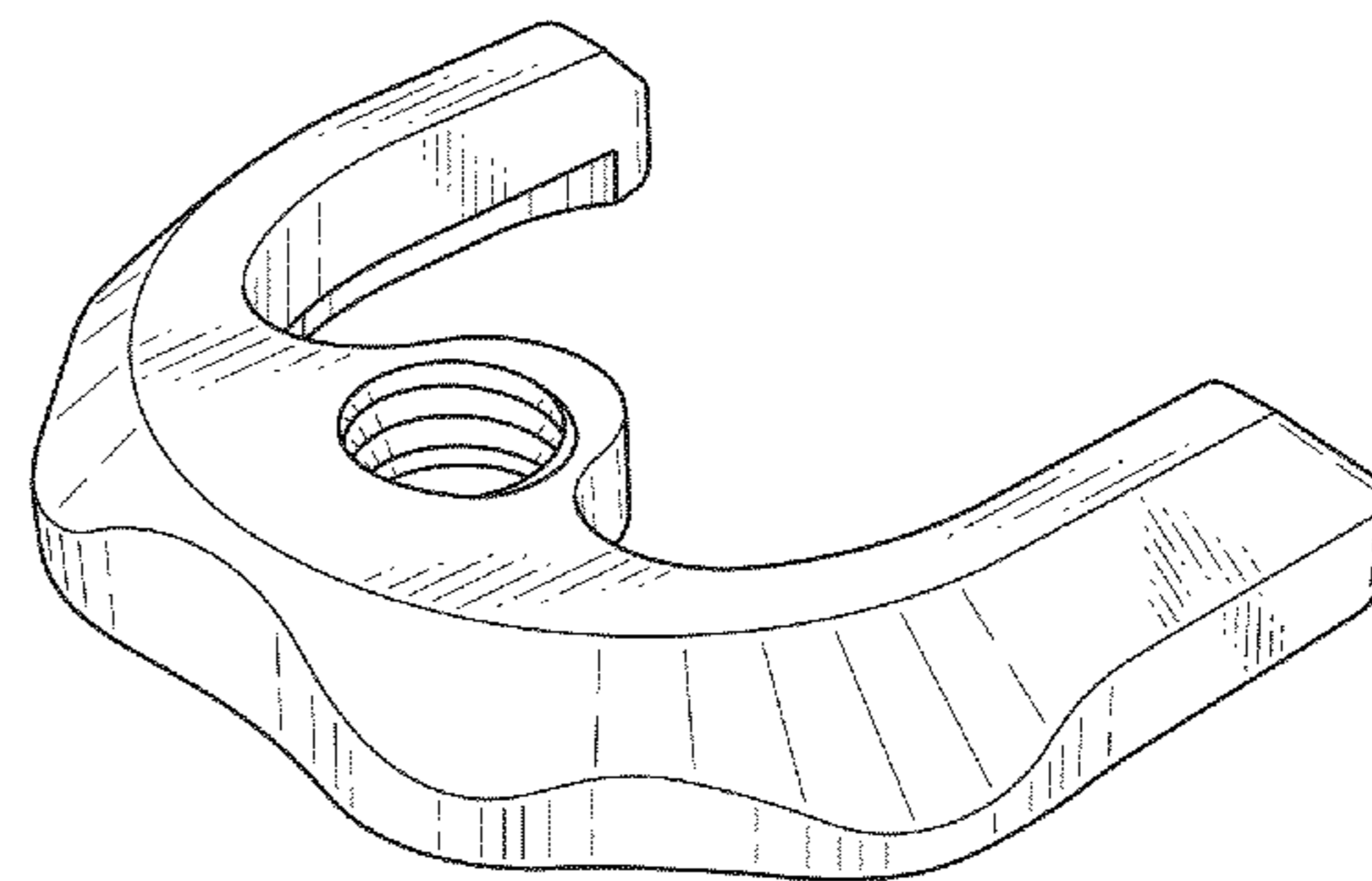
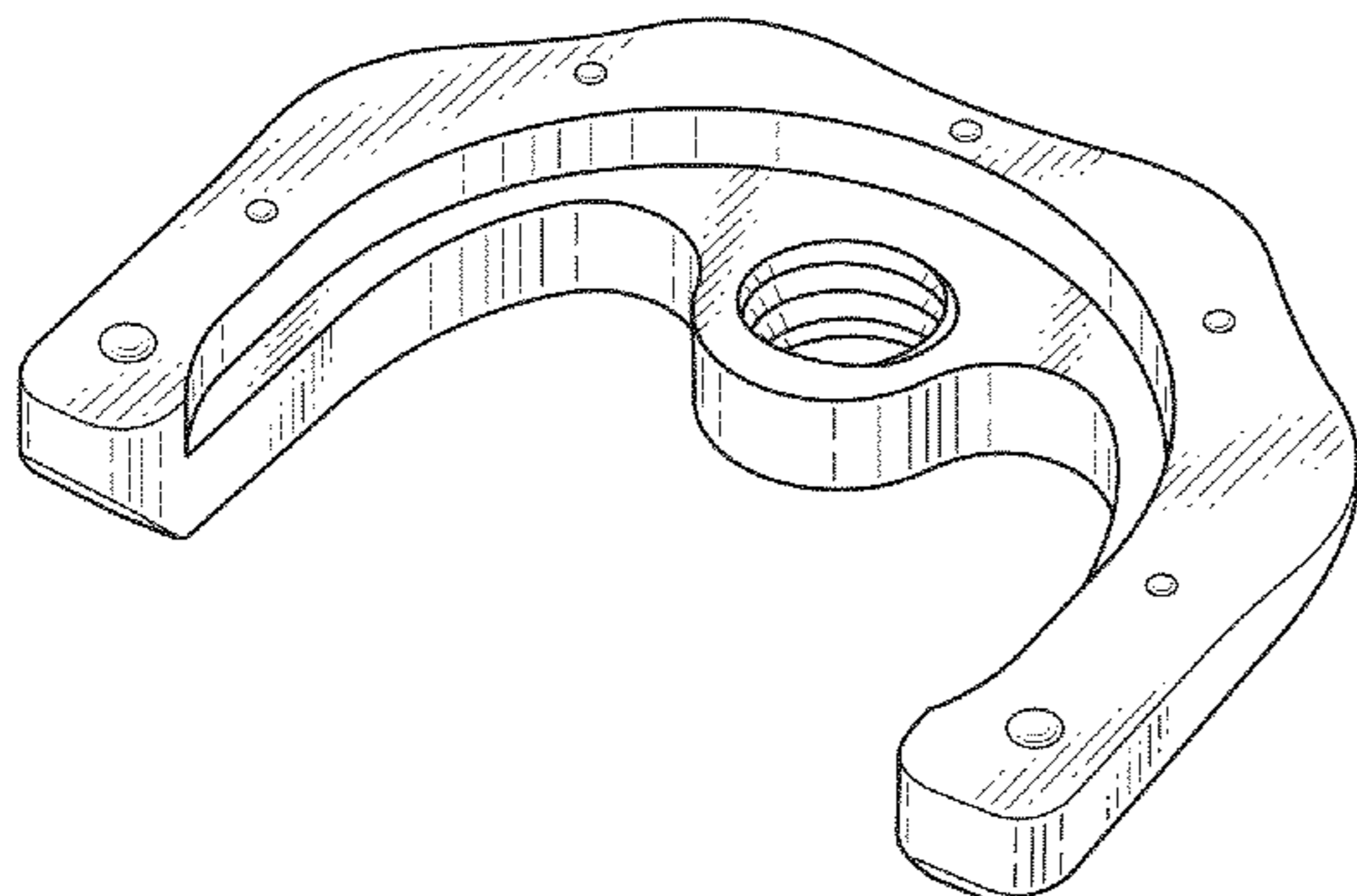
Primary Examiner — George D Kirschbaum
Assistant Examiner — Amy Wierenga
(74) *Attorney, Agent, or Firm* — Banner & Witcoff, Ltd.

(57) **CLAIM**
The ornamental design for a fitting for a faucet, as shown and described.

DESCRIPTION

FIG. 1 is a top perspective view of a fitting for a faucet showing our new design;
FIG. 2 is a bottom perspective view thereof;
FIG. 3 is a top plan view thereof;
FIG. 4 is a bottom plan view;
FIG. 5 is a front view thereof;
FIG. 6 is a rear view thereof;
FIG. 7 is a left side elevational view thereof; and,
FIG. 8 is a right side elevational view thereof.

1 Claim, 4 Drawing Sheets



(56)

References Cited

U.S. PATENT DOCUMENTS

8,272,083 B1 9/2012 Liston et al.
D687,131 S * 7/2013 Capalbo D23/253
8,776,355 B2 * 7/2014 Reiman E03C 1/0402
137/801

2006/0157109 A1 7/2006 Vu
2006/0180221 A1 8/2006 Ko
2007/0001067 A1 1/2007 Becker
2009/0277520 A1 11/2009 Wang
2014/0075667 A1 3/2014 Li et al.

* cited by examiner

FIG. 1

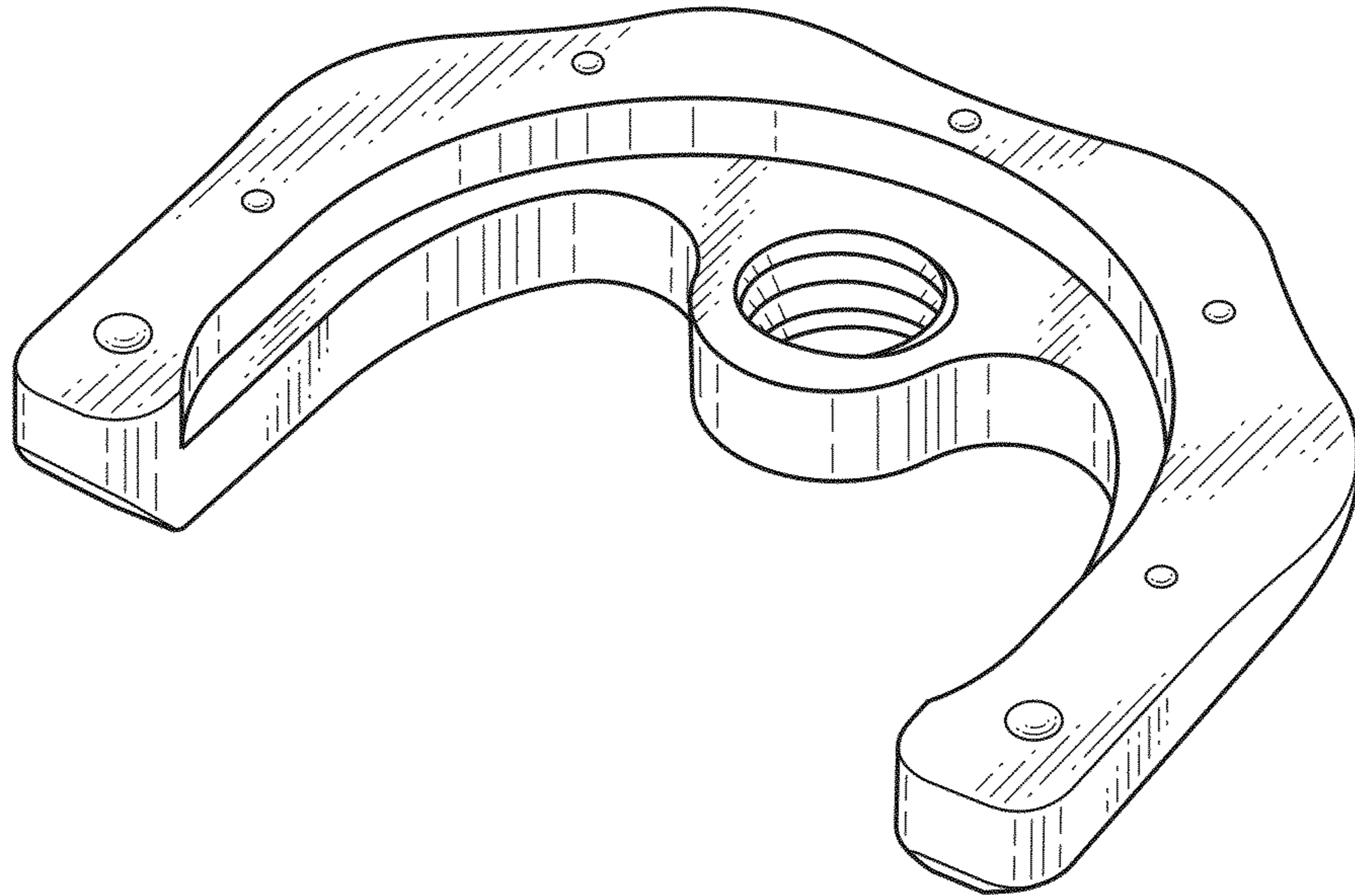


FIG. 2

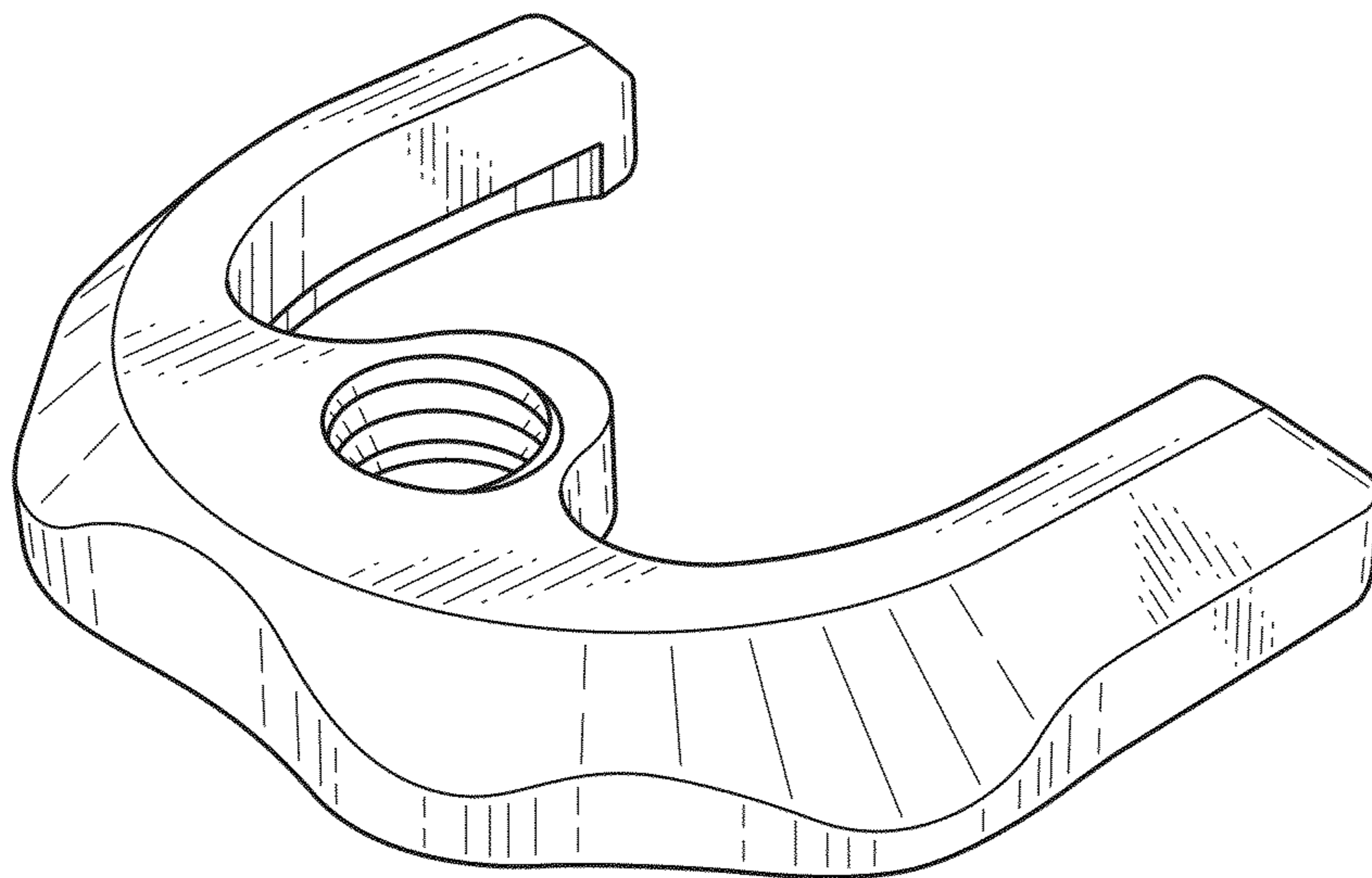


FIG. 3

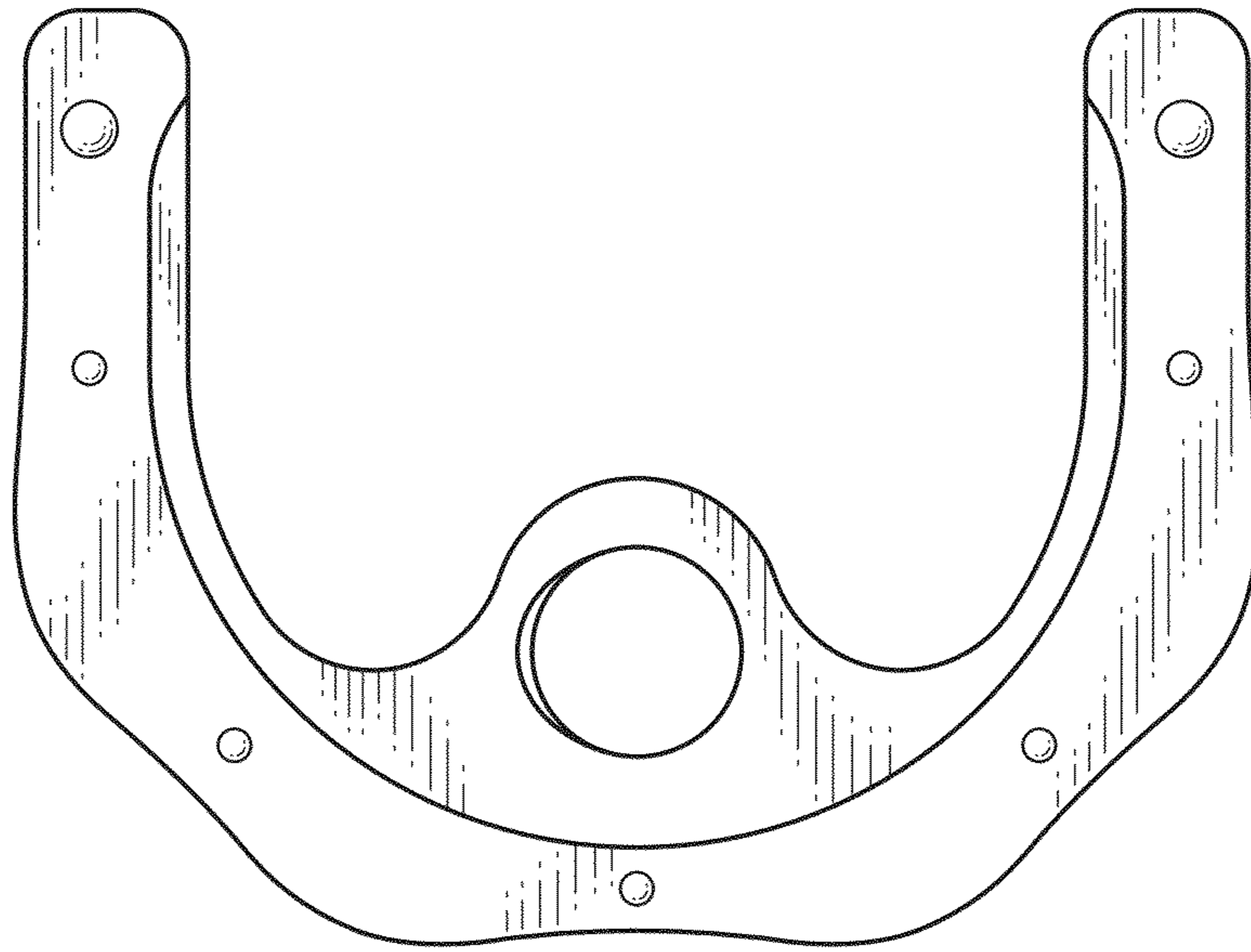


FIG. 4

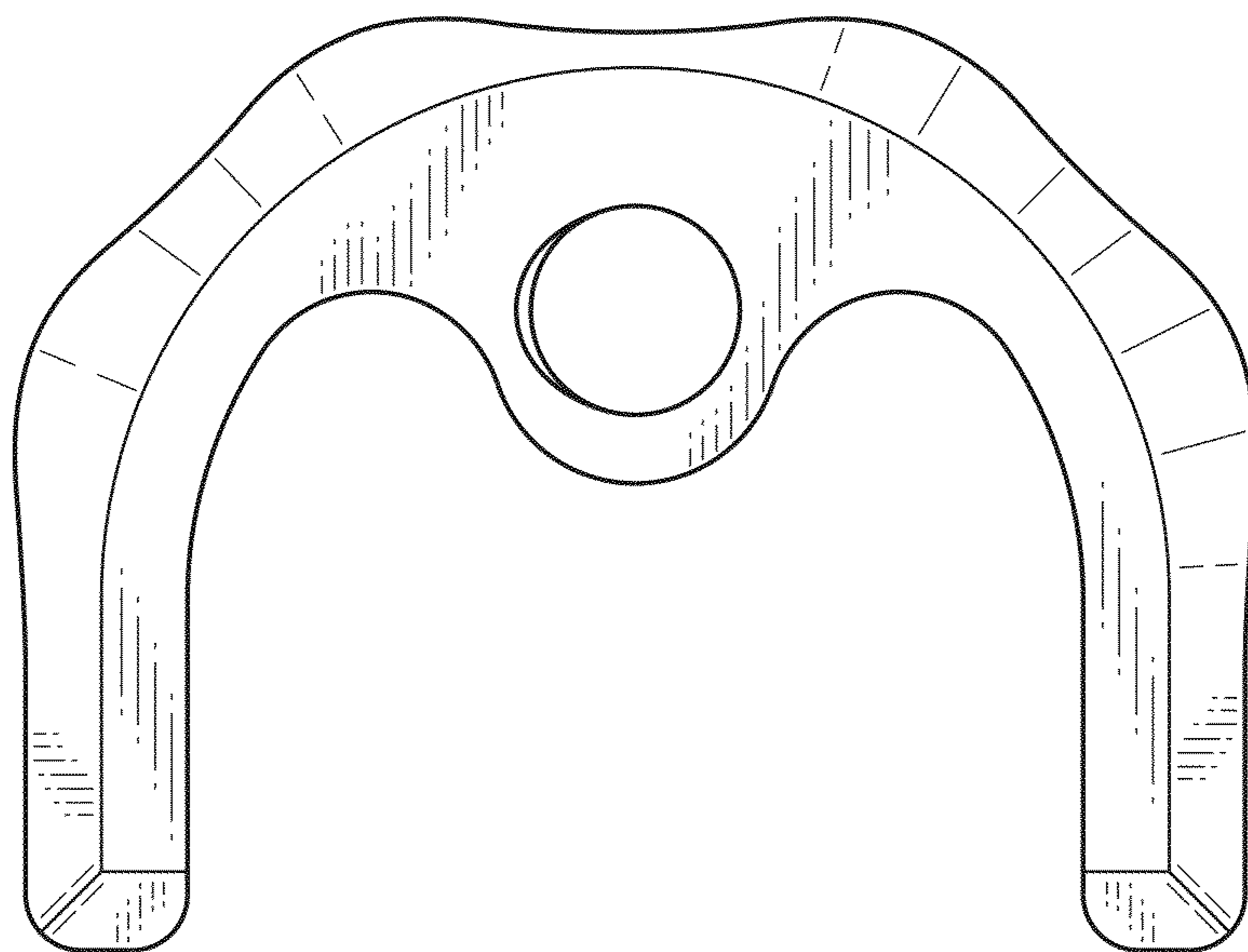


FIG. 5

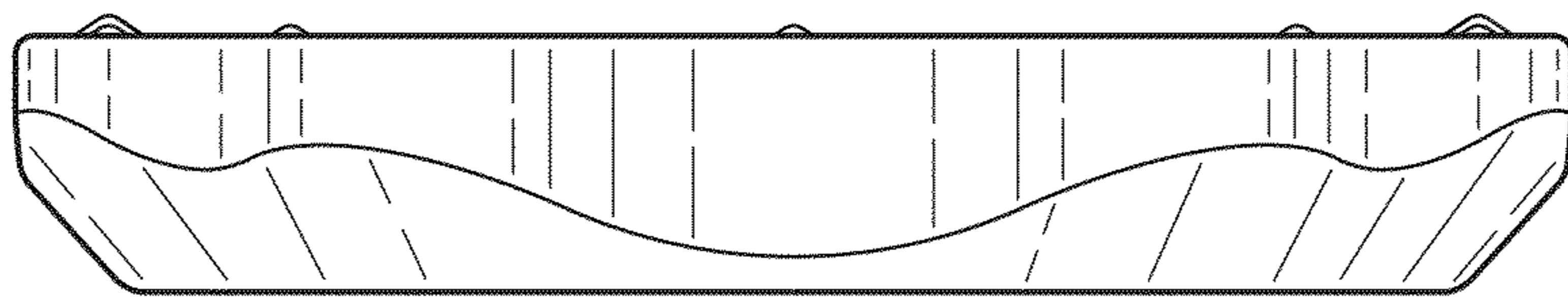


FIG. 6

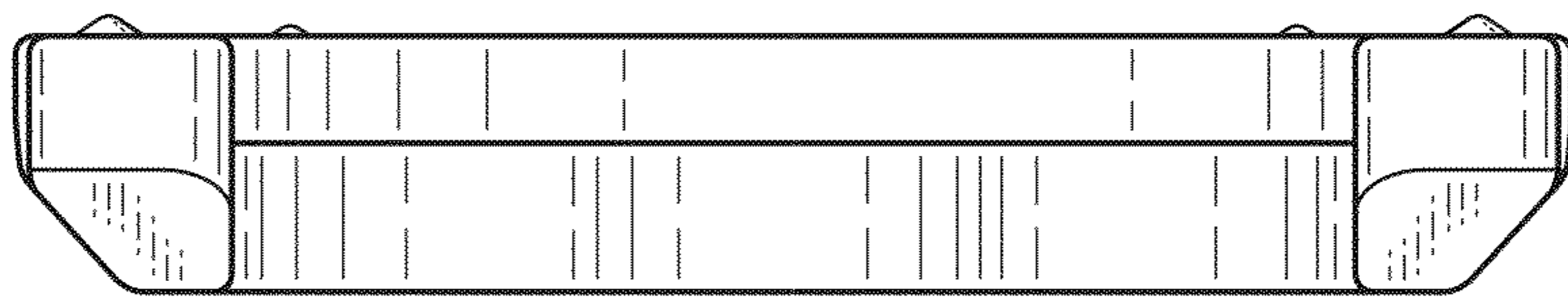


FIG. 7

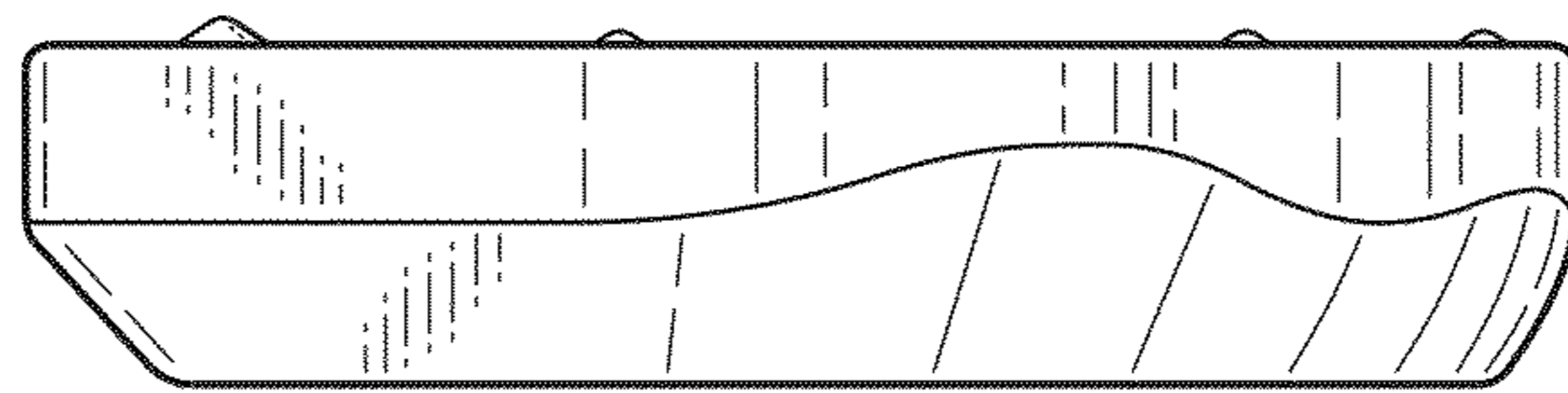


FIG. 8

