



US00D754825S

(12) **United States Design Patent**
Lord

(10) **Patent No.:** **US D754,825 S**
(45) **Date of Patent:** **** Apr. 26, 2016**

(54) **FAUCET BODY**

D534,245 S * 12/2006 Egli D23/238
D574,063 S * 7/2008 Tsai D23/255
D737,936 S * 9/2015 Pony D23/238

(71) Applicant: **Delta Faucet Company**, Indianapolis,
IN (US)

* cited by examiner

(72) Inventor: **Judd Lord**, McCordsville, IN (US)

Primary Examiner — Robert Delehanty

(73) Assignee: **DELTA FAUCET COMPANY**,
Indianapolis, IN (US)

(74) *Attorney, Agent, or Firm* — Edgar A. Zarins; Nirav D.
Parikh

(**) Term: **14 Years**

(57) **CLAIM**

(21) Appl. No.: **29/513,820**

The ornamental design for a faucet body, as shown and
described.

(22) Filed: **Jan. 6, 2015**

DESCRIPTION

(51) **LOC (10) Cl.** **23-01**

(52) **U.S. Cl.**
USPC **D23/255**

(58) **Field of Classification Search**
USPC D23/238, 241–243, 249, 255, 257
CPC E03C 1/04; E03C 1/0401; E03C 1/0402;
E03C 1/0404

See application file for complete search history.

FIG. 1 is a perspective view of a faucet body showing my new
design;
FIG. 2 is a top plan view thereof;
FIG. 3 is a bottom view thereof;
FIG. 4 is a front view thereof;
FIG. 5 is a left side view thereof;
FIG. 6 is a right side view thereof; and,
FIG. 7 is a rear view thereof.

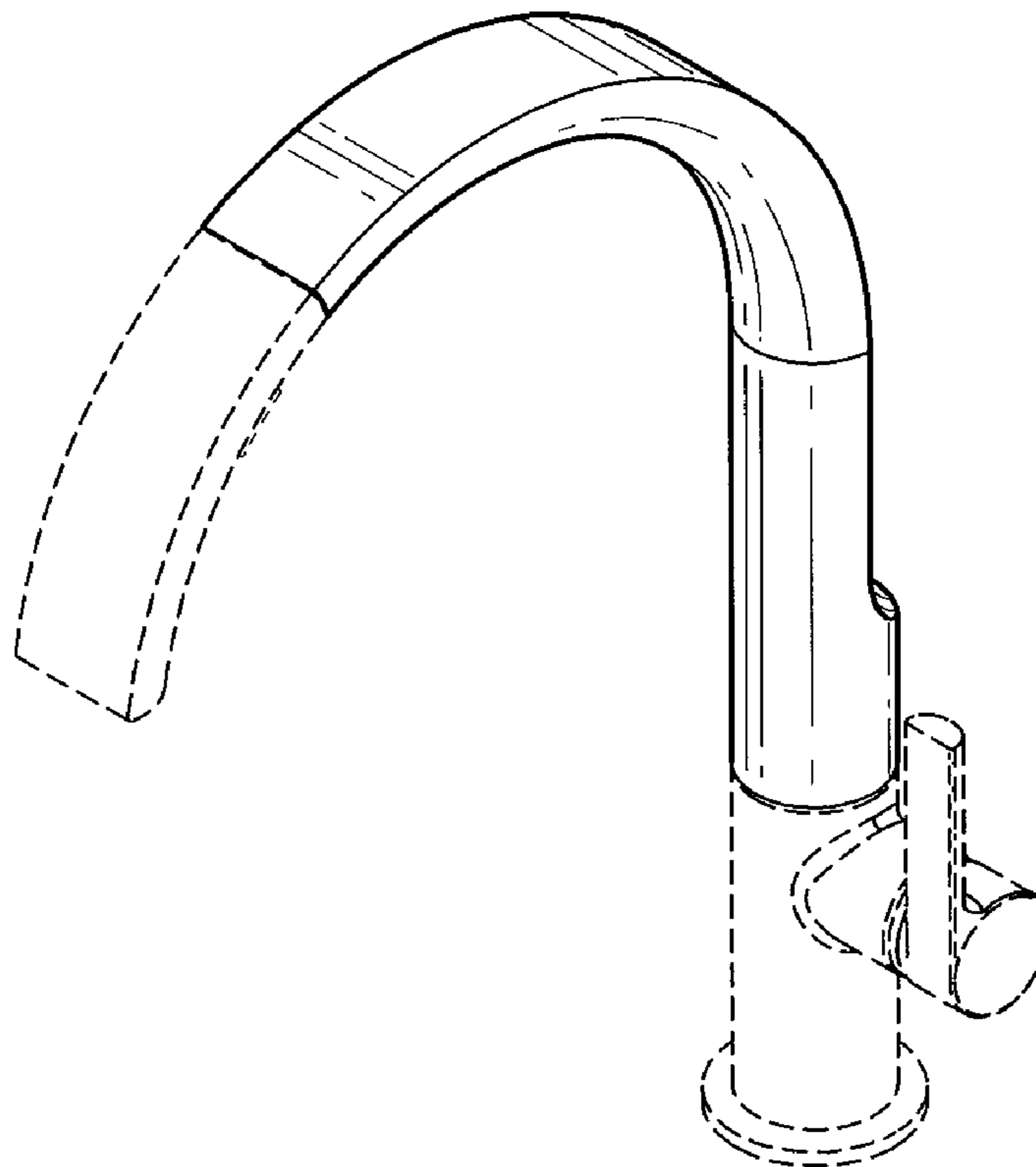
The broken lines showing faucet base, handle and spout tip
are included for the purpose of illustrating a portion of the
faucet body that forms no part of the claimed design.

(56) **References Cited**

U.S. PATENT DOCUMENTS

D314,040 S * 1/1991 Heieck D23/238
D517,652 S * 3/2006 Egli D23/238

1 Claim, 2 Drawing Sheets



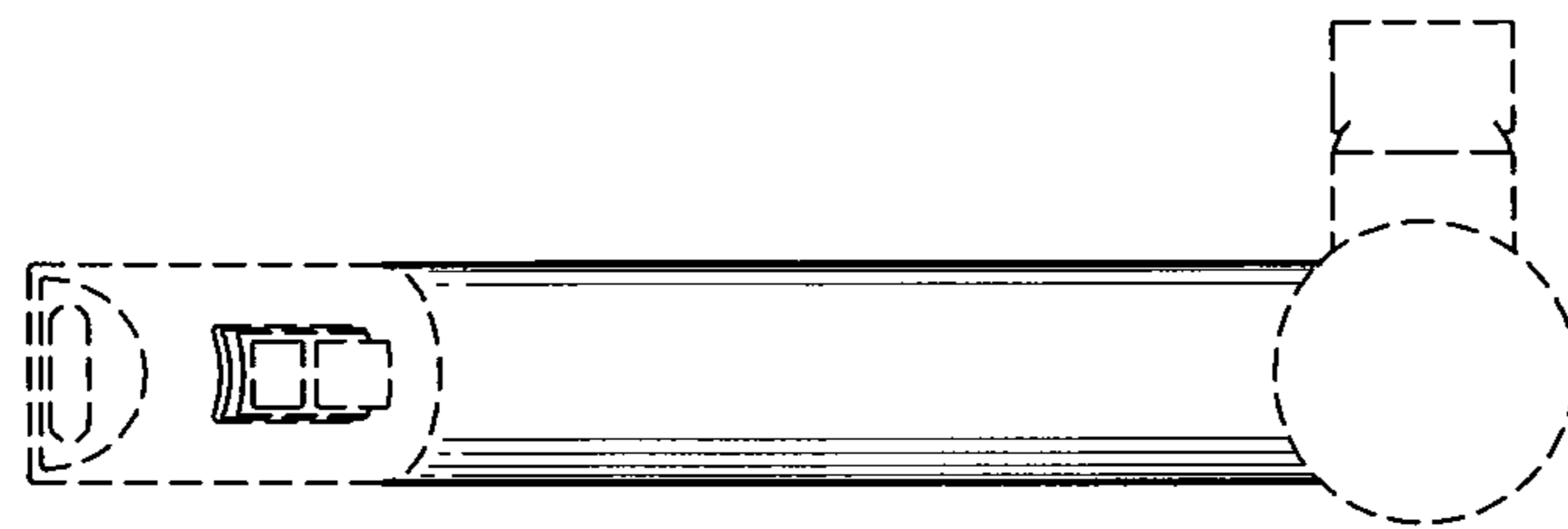
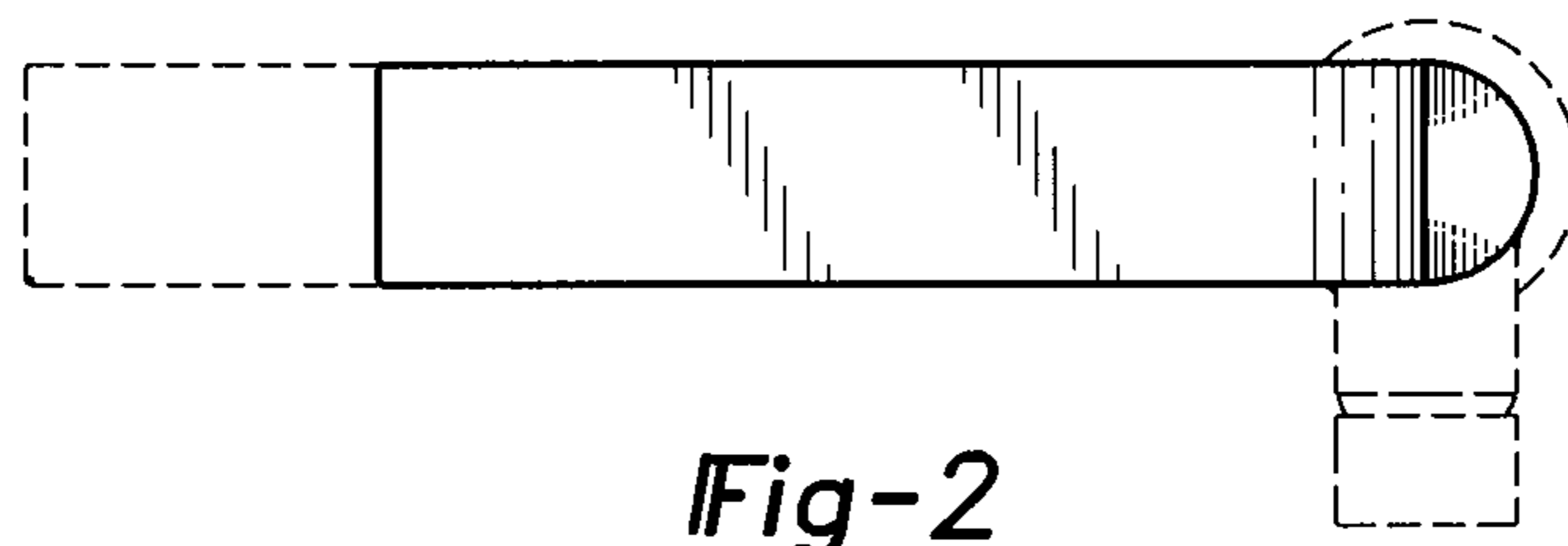
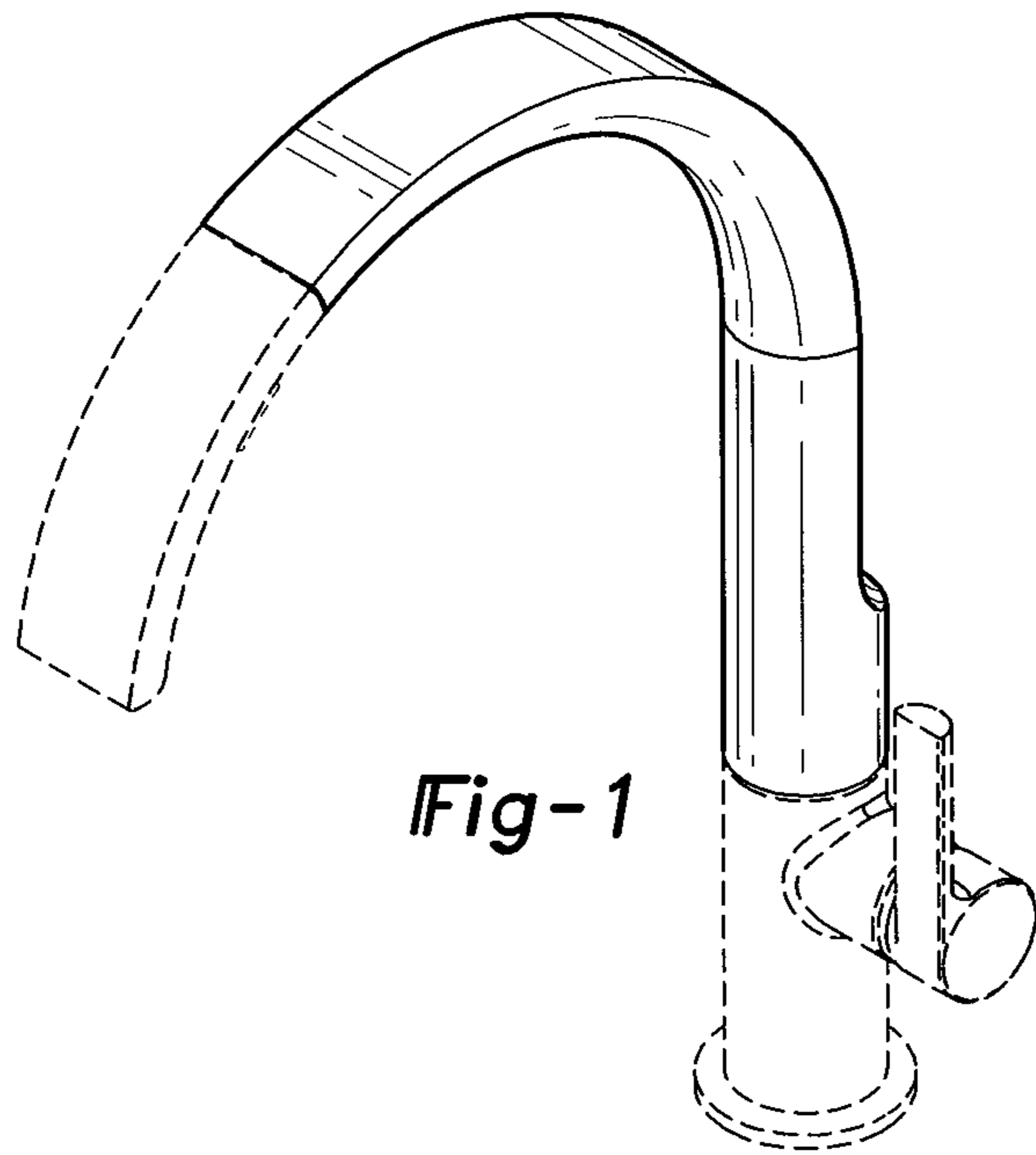


Fig-3

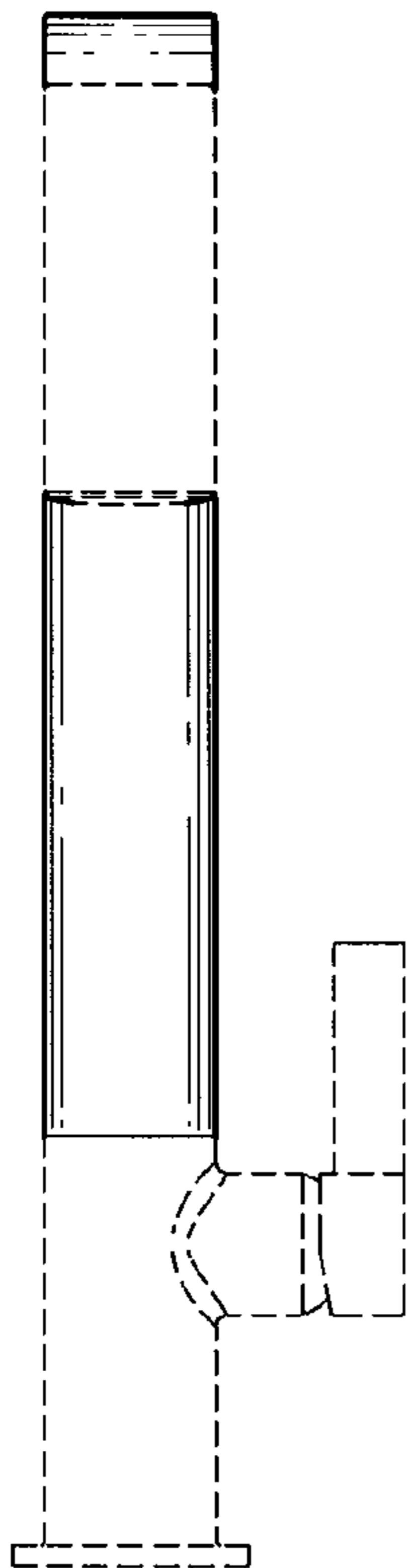


Fig-4

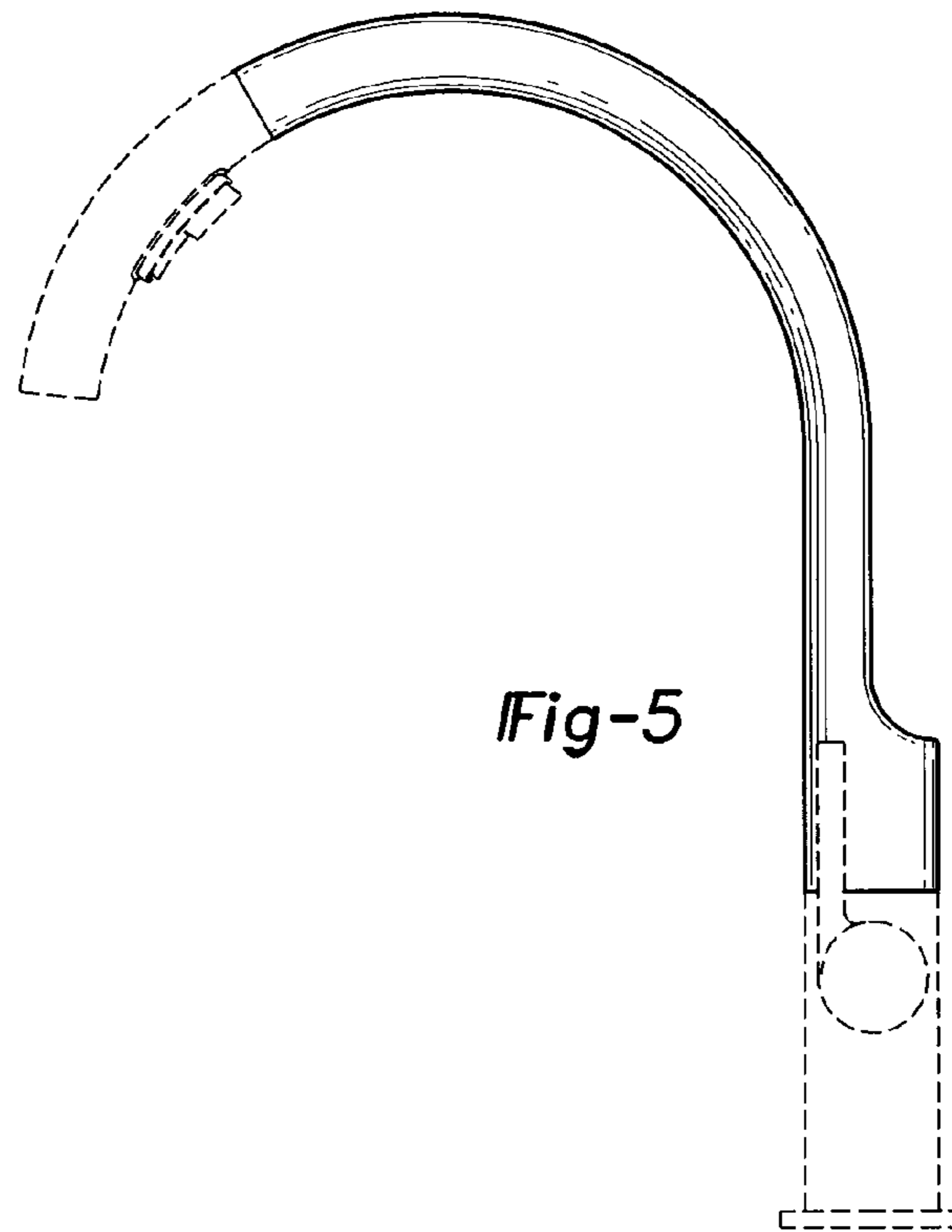


Fig-5

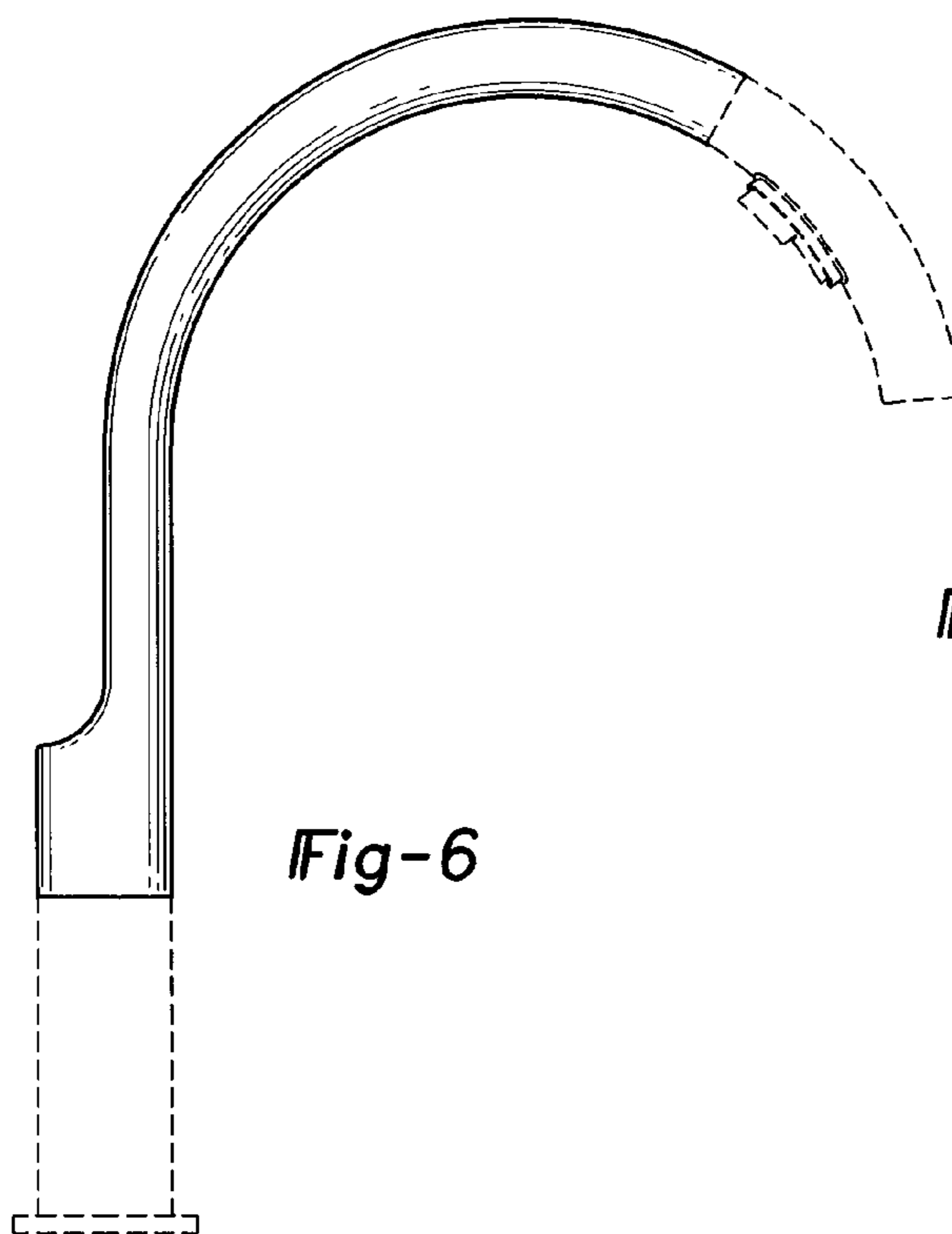


Fig-6

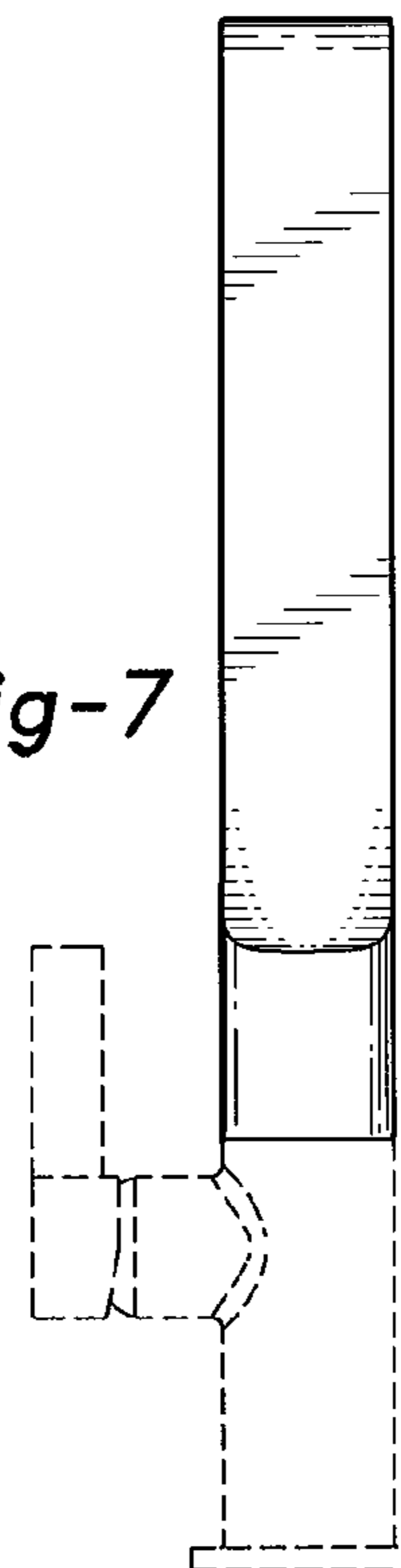


Fig-7