



US00D754824S

(12) **United States Design Patent**
Byron et al.

(10) **Patent No.:** **US D754,824 S**
(45) **Date of Patent:** **** Apr. 26, 2016**

(54) **SHOWER VALVE**

(56) **References Cited**

(71) Applicant: **BRASSCRAFT MANUFACTURING COMPANY**, Novi, MI (US)

U.S. PATENT DOCUMENTS

(72) Inventors: **David Jonathan Byron**, Southfield, MI (US); **Nicole Collins**, Livonia, MI (US); **Alicia Krause**, Shelby Township, MI (US); **Lauren Mamelka**, Lathrup Village, MI (US)

D390,922 S *	2/1998	Oswaks	D23/252
D405,510 S *	2/1999	Lord	D23/254
D413,965 S *	9/1999	Ko	D23/252
D419,221 S *	1/2000	Lobermeier	D23/254
D441,846 S *	5/2001	Mullenmeister	D23/254
D468,000 S *	12/2002	Czerwinski, Jr.	D23/252
D485,332 S *	1/2004	Blomstrom	D23/252
D524,422 S *	7/2006	Schaffeld	D23/252
D616,531 S *	5/2010	Gilbert	D23/250
D683,433 S *	5/2013	Luh	D23/252

(73) Assignee: **BrassCraft Manufacturing Company**, Novi, MI (US)

* cited by examiner

(**) Term: **14 Years**

Primary Examiner — Robert Delehanty

(21) Appl. No.: **29/516,140**

(74) *Attorney, Agent, or Firm* — Kirk W. Rudolph

(22) Filed: **Jan. 29, 2015**

(51) **LOC (10) Cl.** **23-01**

(52) **U.S. Cl.**
USPC **D23/254**

(58) **Field of Classification Search**
USPC D23/238, 241–243, 250, 252, 254
CPC E03C 1/04; E03C 1/0401; E03C 1/0402;
E03C 1/0404

(57) **CLAIM**

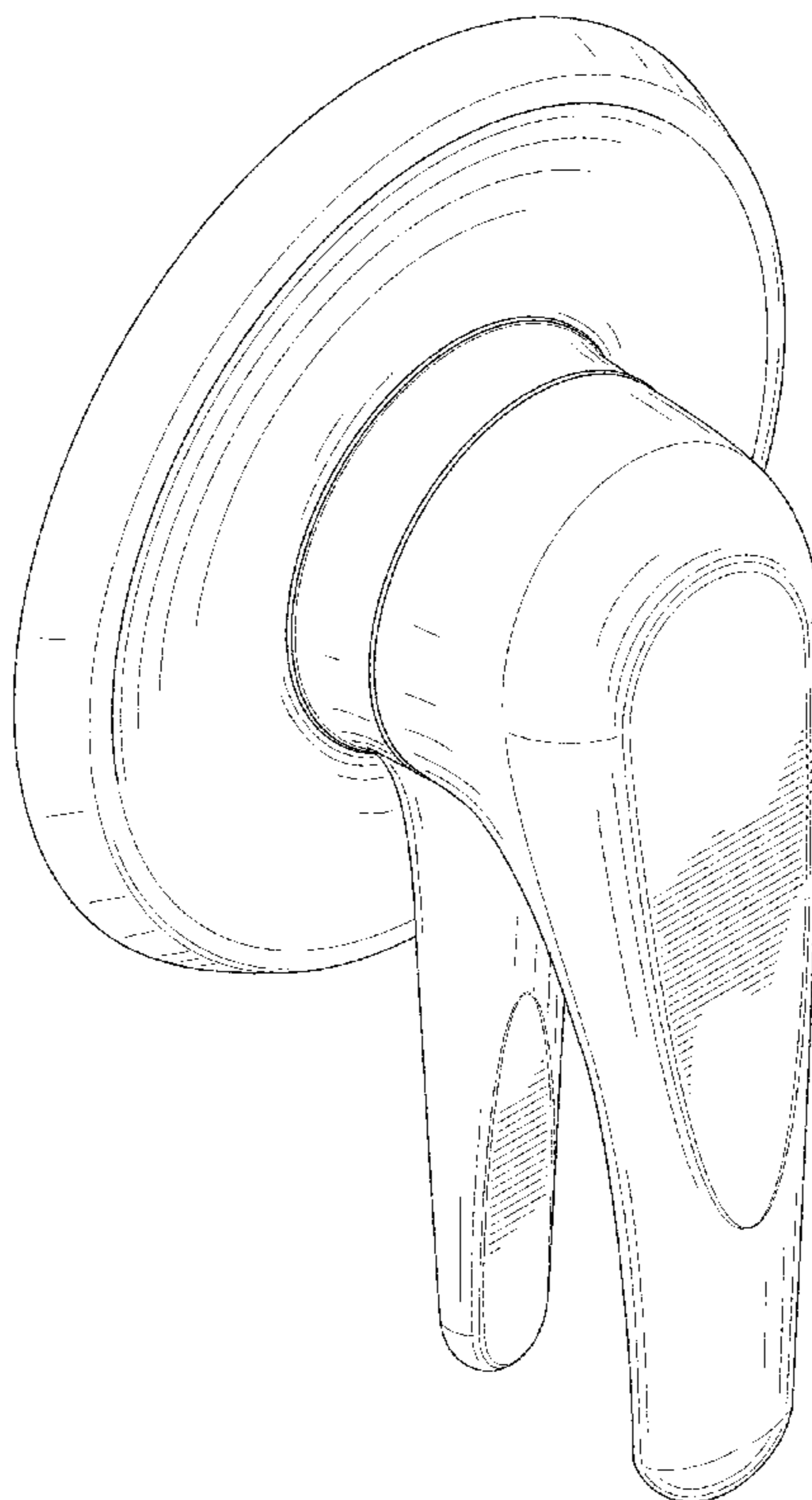
The ornamental design for a shower valve, as shown and described.

DESCRIPTION

FIG. 1 is a perspective view of a shower valve showing our design;
FIG. 2 is a front view thereof;
FIG. 3 is a rear view thereof;
FIG. 4 is a right side view thereof;
FIG. 5 is a left side view thereof;
FIG. 6 is a top view thereof; and,
FIG. 7 is a bottom view thereof.
The broken lines in the drawings represent unclaimed portions of the shower valve and form no portion thereof.

See application file for complete search history.

1 Claim, 6 Drawing Sheets



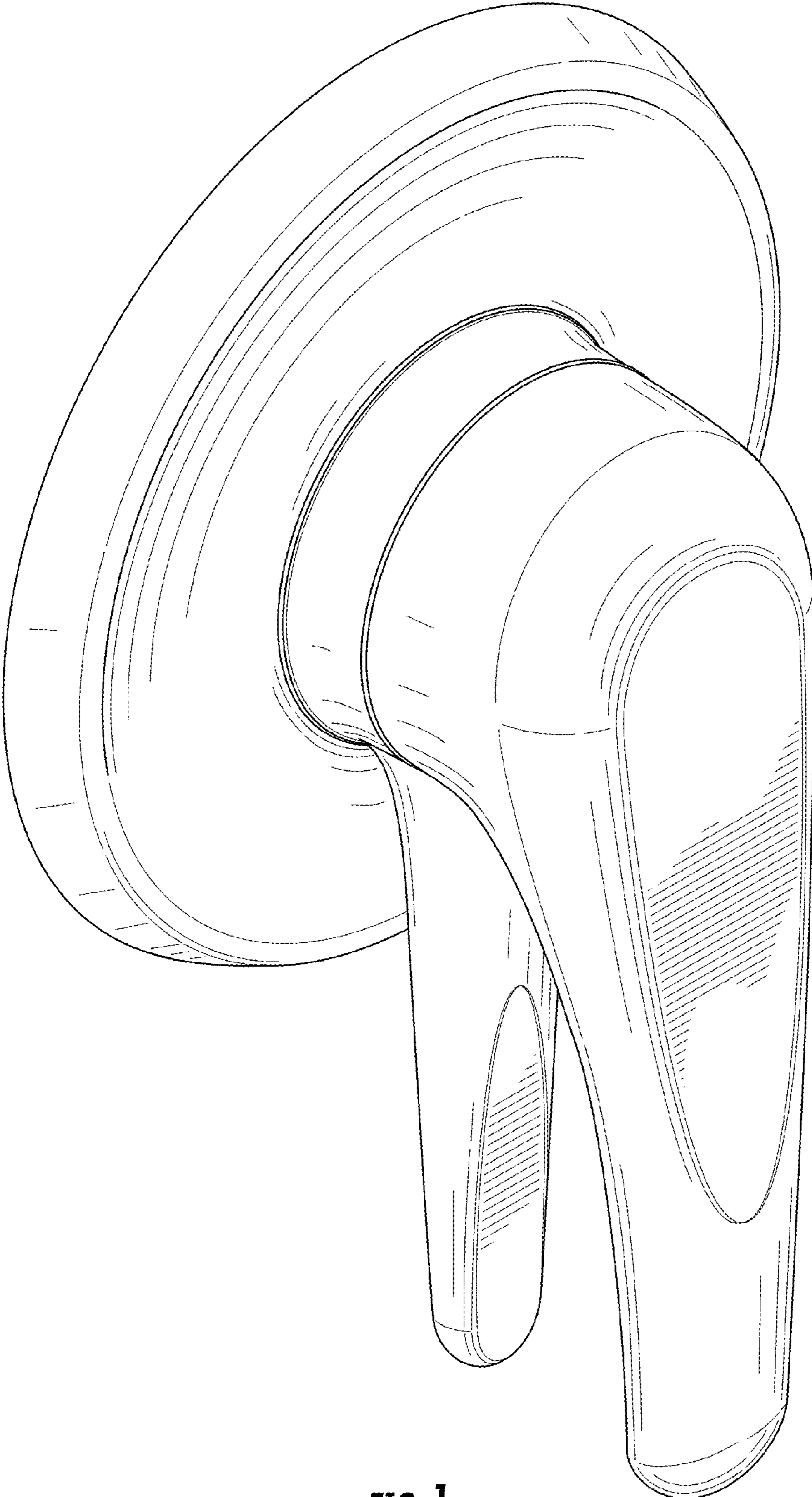


FIG. 1

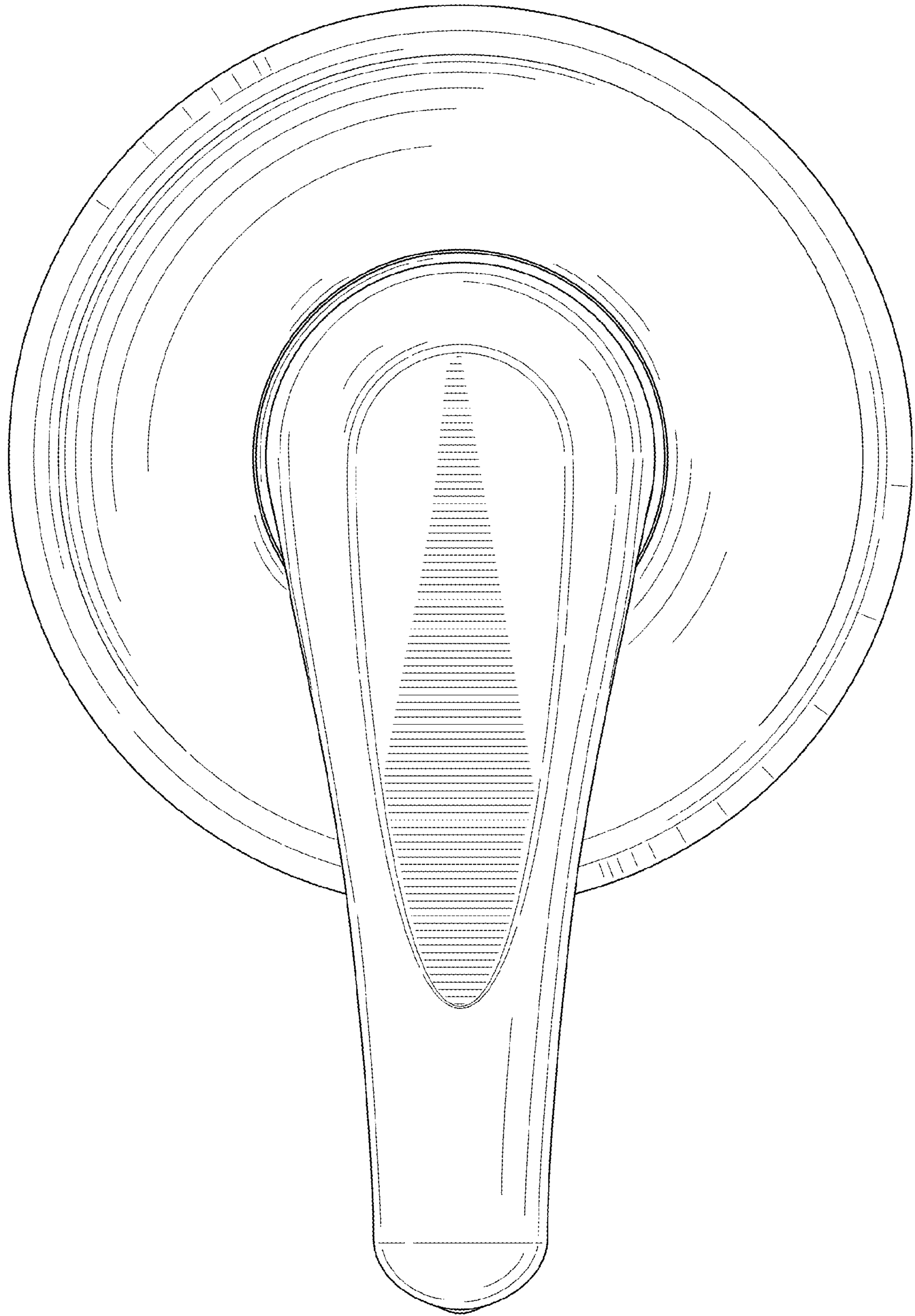


FIG. 2

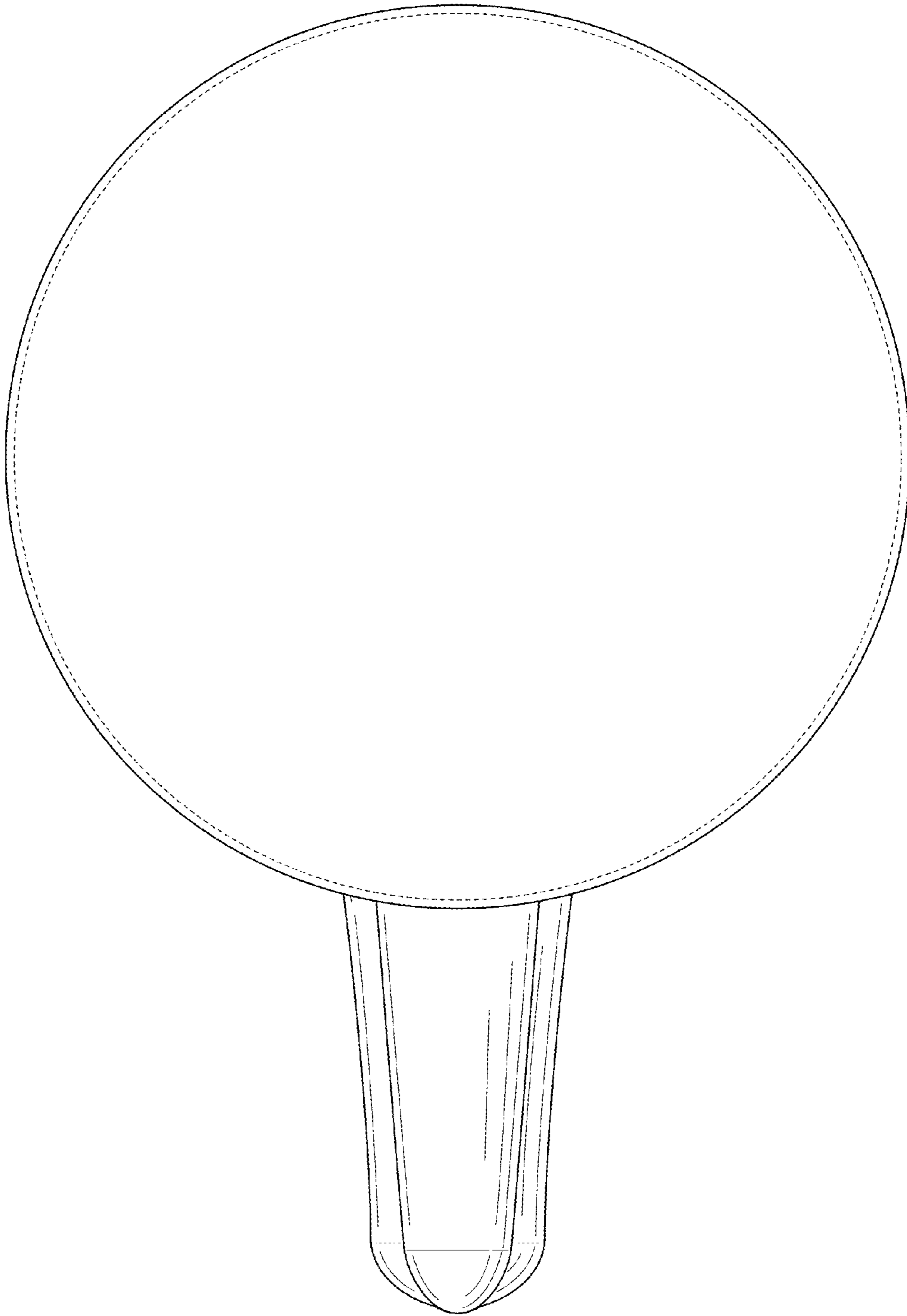


FIG. 3

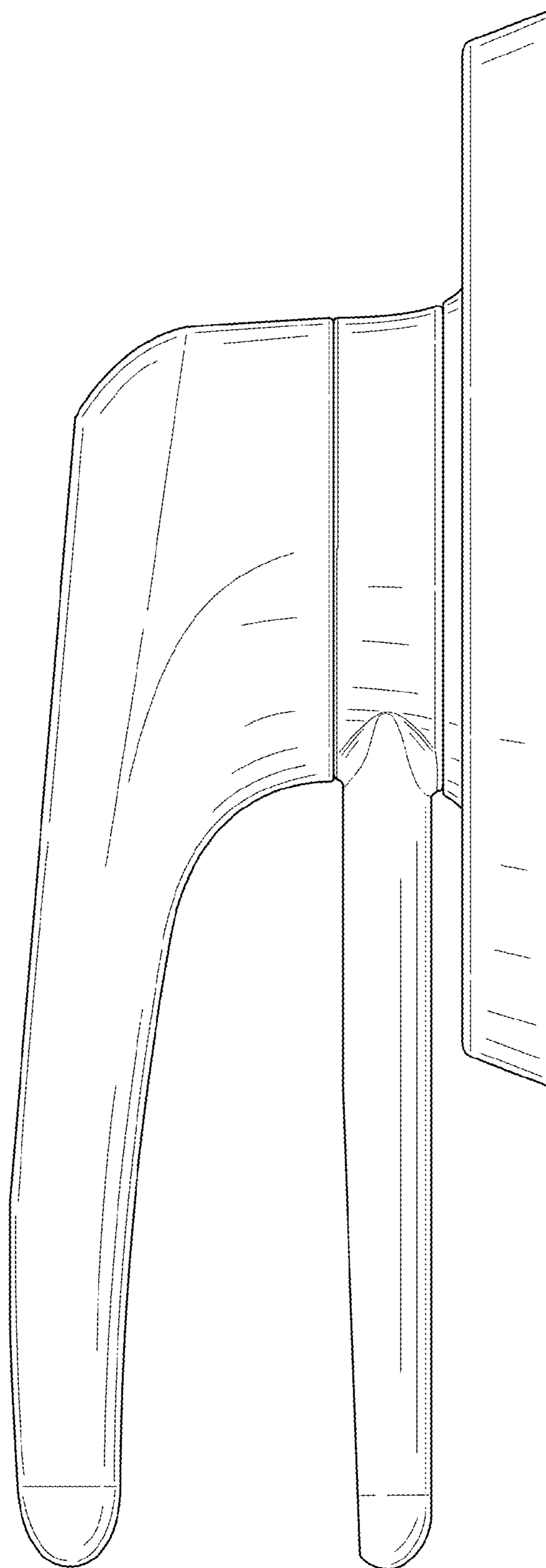


FIG. 4

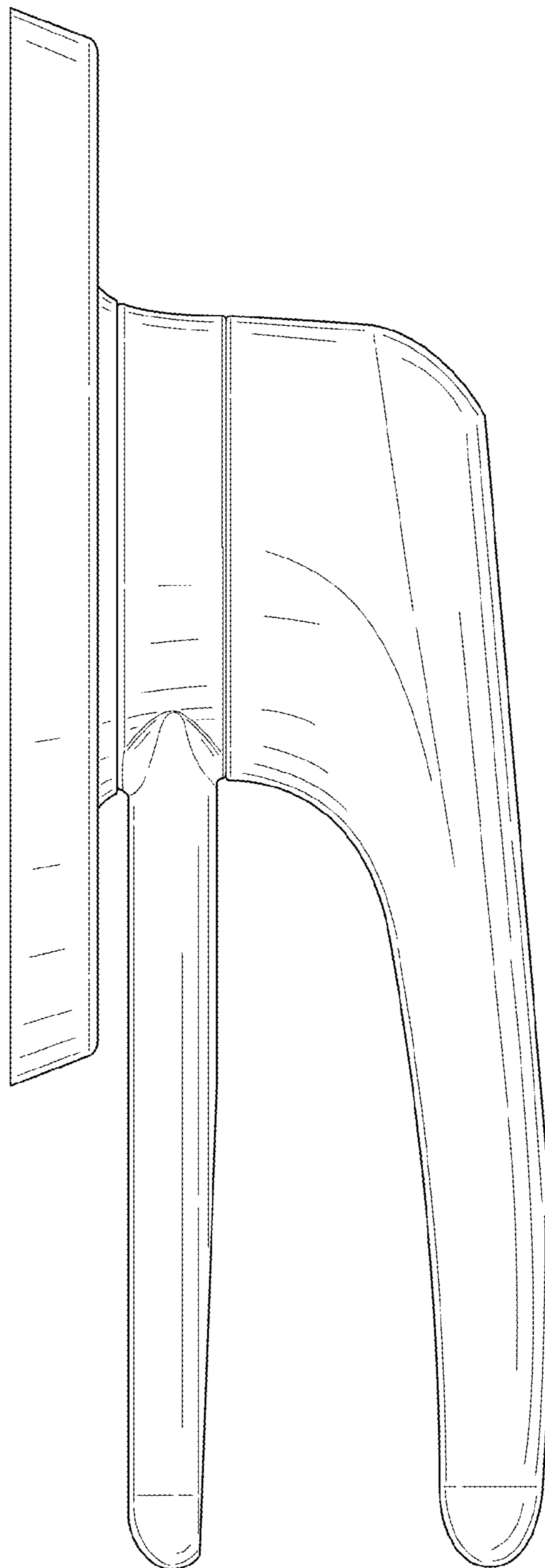


FIG. 5

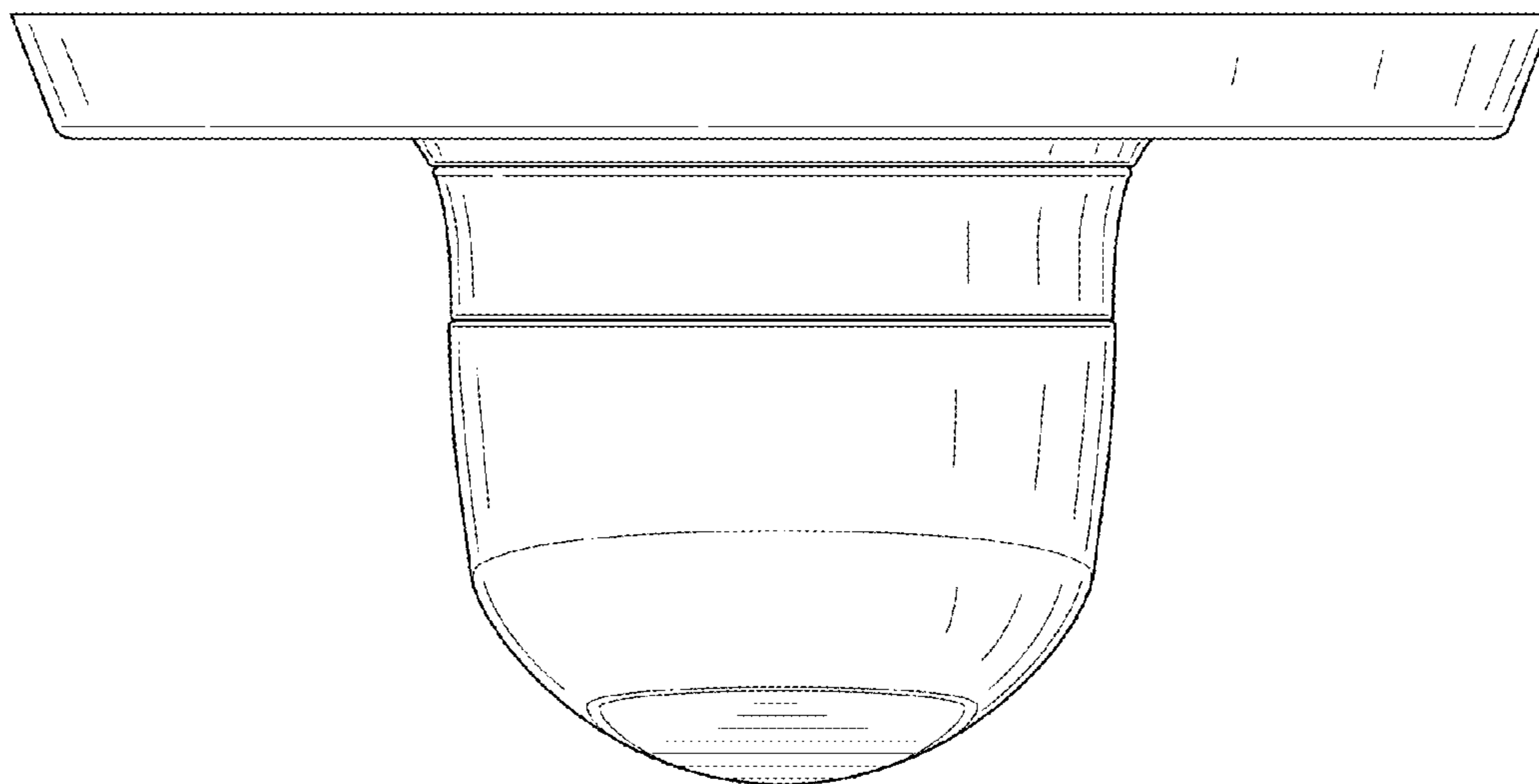


FIG. 6

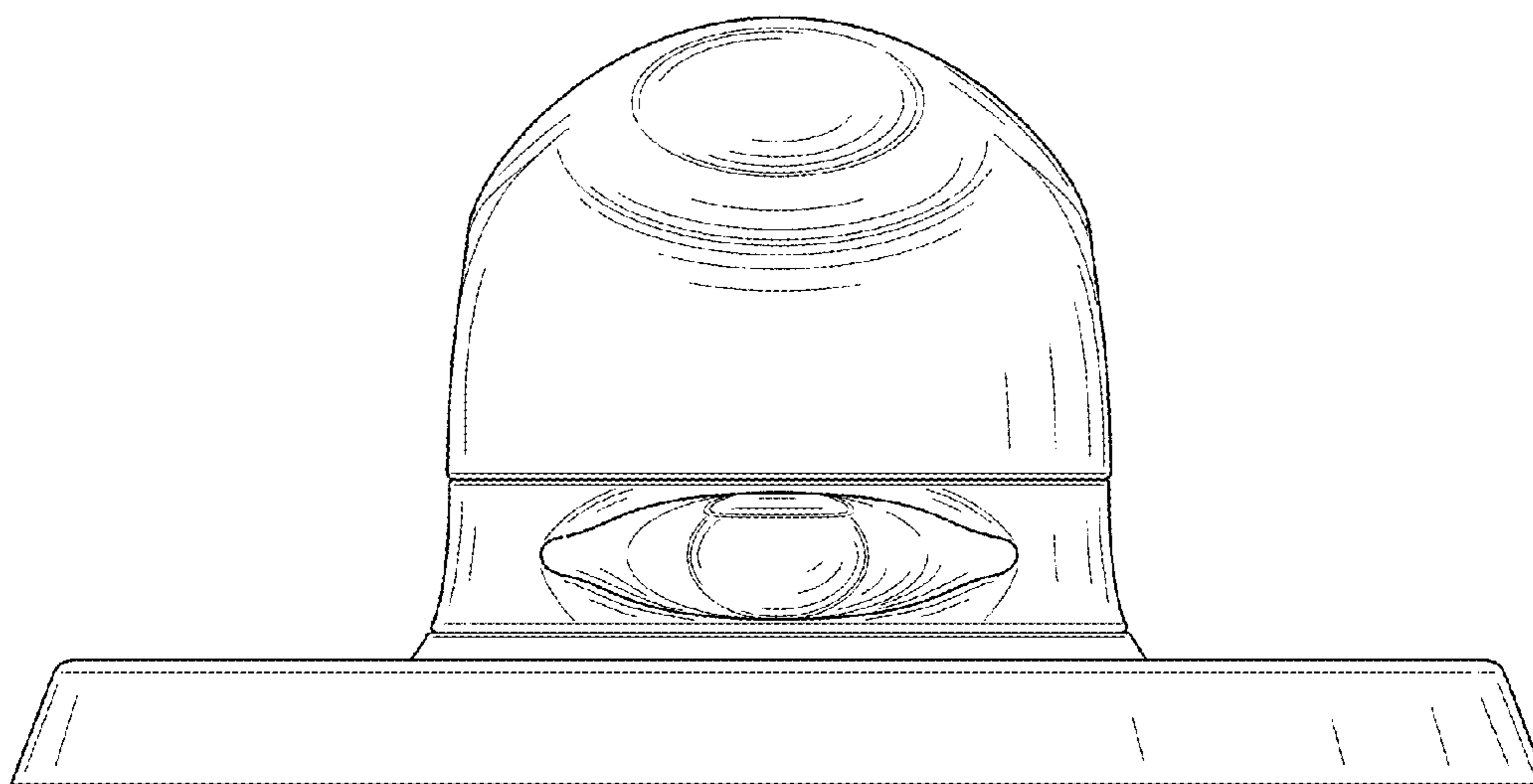


FIG. 7