



US00D754823S

(12) **United States Design Patent**
Garland

(10) **Patent No.:** **US D754,823 S**

(45) **Date of Patent:** **** Apr. 26, 2016**

(54) **FAUCET HANDLE**

(71) Applicant: **Delta Faucet Company**, Indianapolis, IN (US)

(72) Inventor: **Celine Kwok Garland**, Zionsville, IN (US)

(73) Assignee: **DELTA FAUCET COMPANY**, Indianapolis, IN (US)

(**) Term: **14 Years**

(21) Appl. No.: **29/514,706**

(22) Filed: **Jan. 15, 2015**

(51) **LOC (10) Cl.** **23-01**

(52) **U.S. Cl.**
USPC **D23/252**

(58) **Field of Classification Search**
USPC D23/238, 241–243, 249–250, 252, 254
CPC E03C 1/04; E03C 1/0401; E03C 1/0402;
E03C 1/0404

See application file for complete search history.

(56) **References Cited**

U.S. PATENT DOCUMENTS

D522,624 S * 6/2006 Koury D23/252
D563,525 S * 3/2008 Zhu D23/242
D707,333 S * 6/2014 Flowers D23/252

* cited by examiner

Primary Examiner — Robert Delehanty

(74) *Attorney, Agent, or Firm* — Edgar A. Zarins; Nirav D. Parikh

(57) **CLAIM**

The ornamental design for a faucet handle, as shown and described.

DESCRIPTION

FIG. 1 is a perspective view of a faucet handle showing my new design;

FIG. 2 is a top plan view thereof;

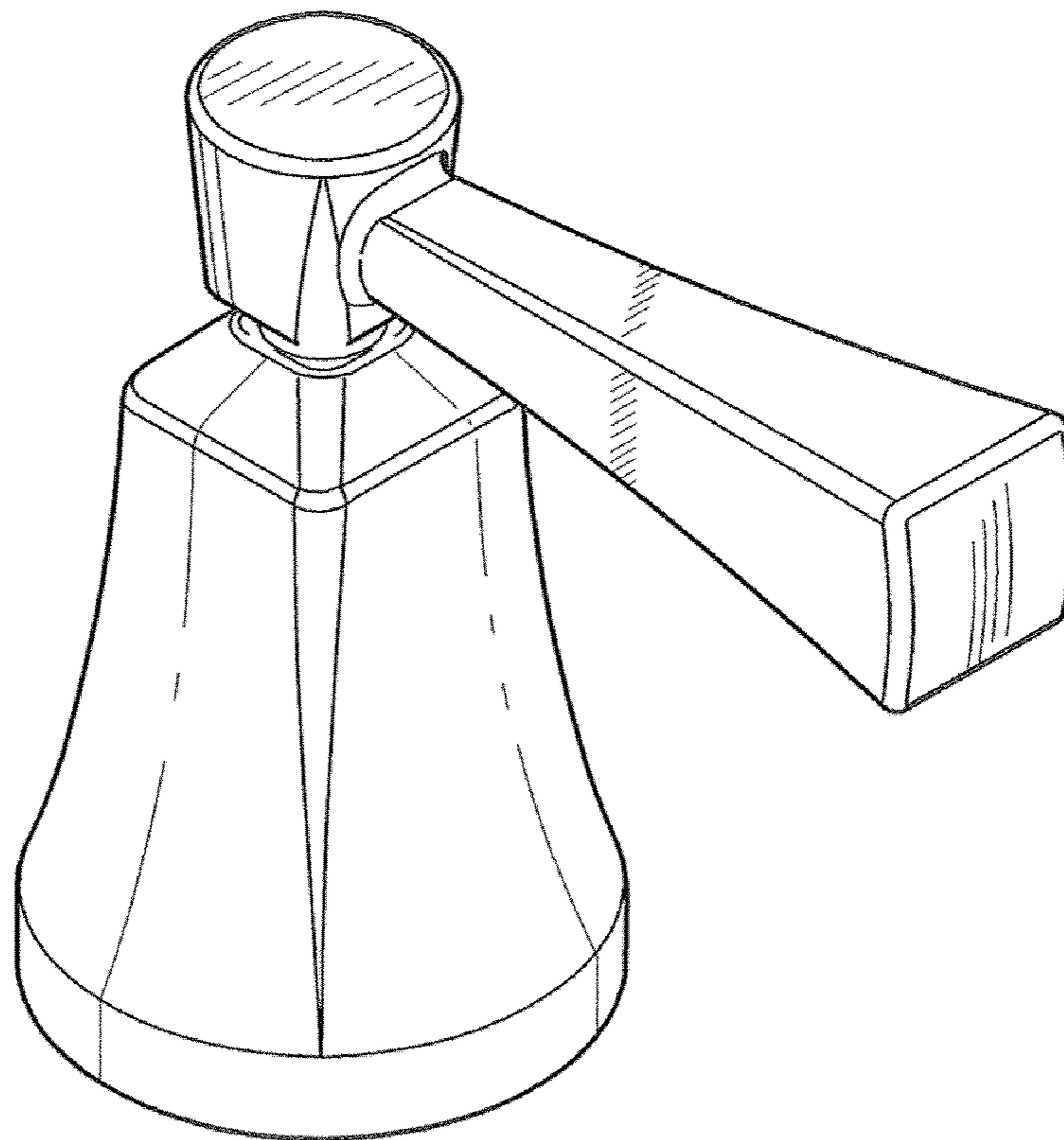
FIG. 3 is a bottom view thereof;

FIG. 4 is a side view thereof, the opposite side being a mirror image of the side shown;

FIG. 5 is a first end view thereof; and,

FIG. 6 is a second end view thereof.

1 Claim, 2 Drawing Sheets



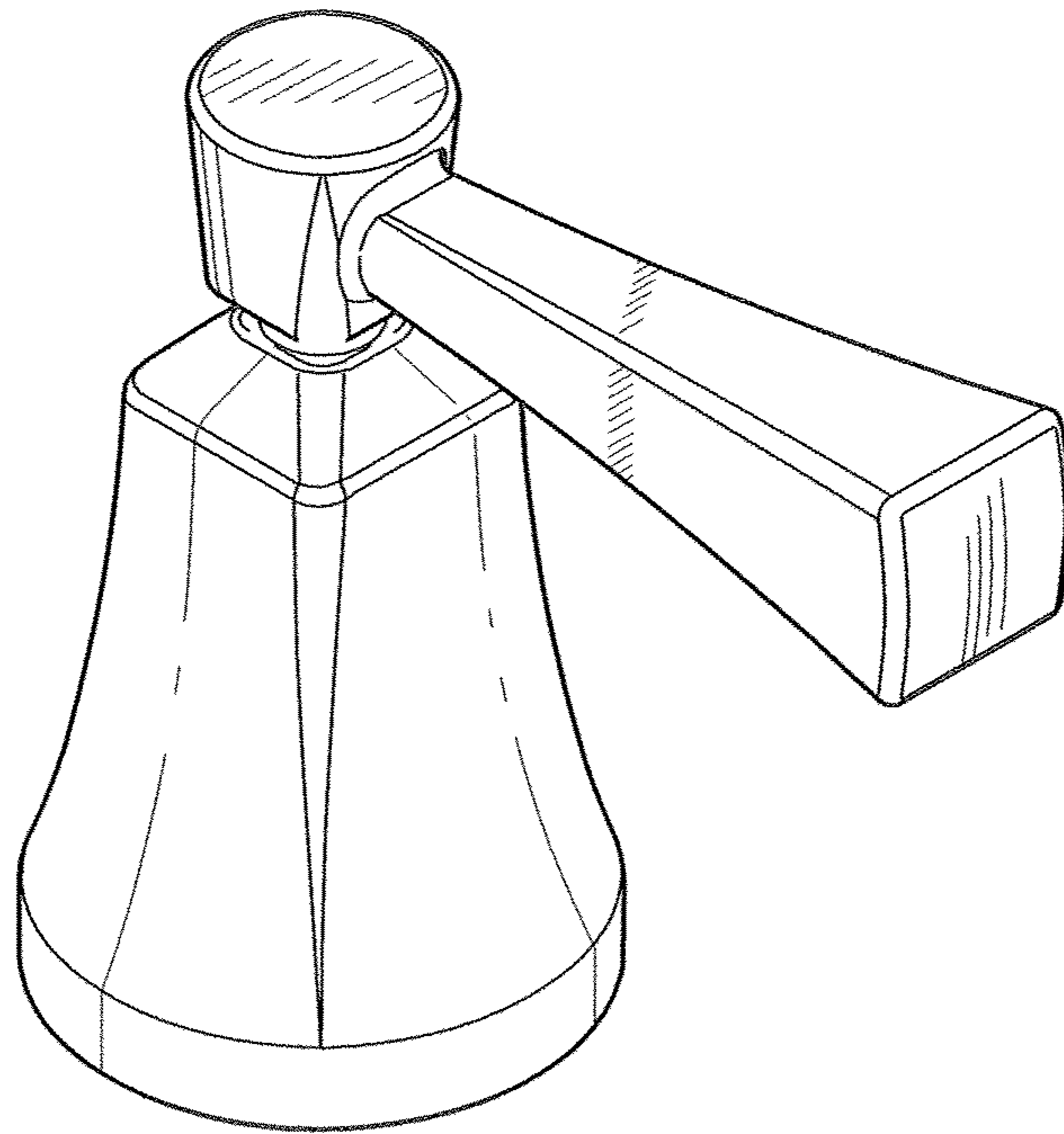


Fig-1

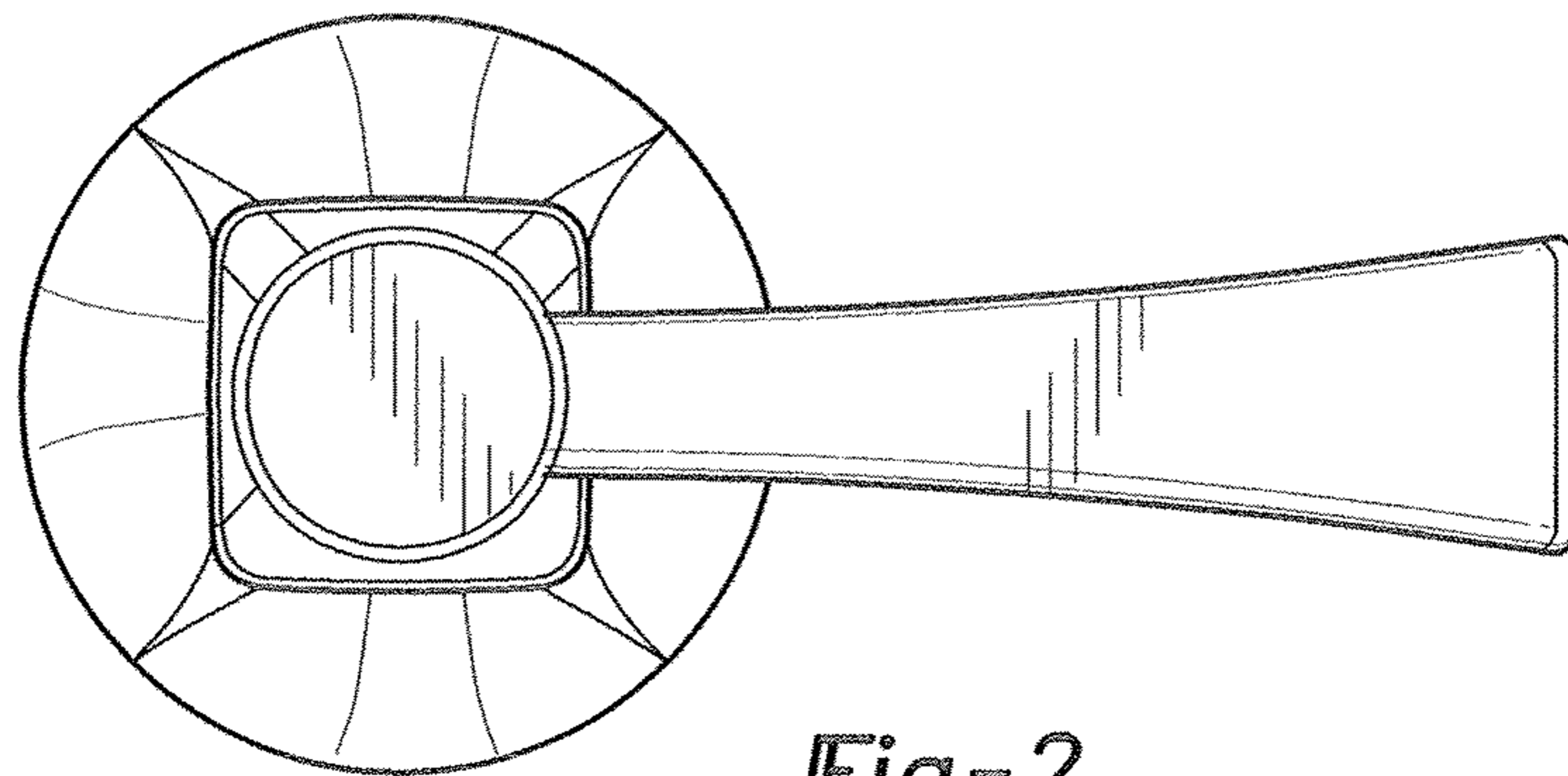


Fig-2

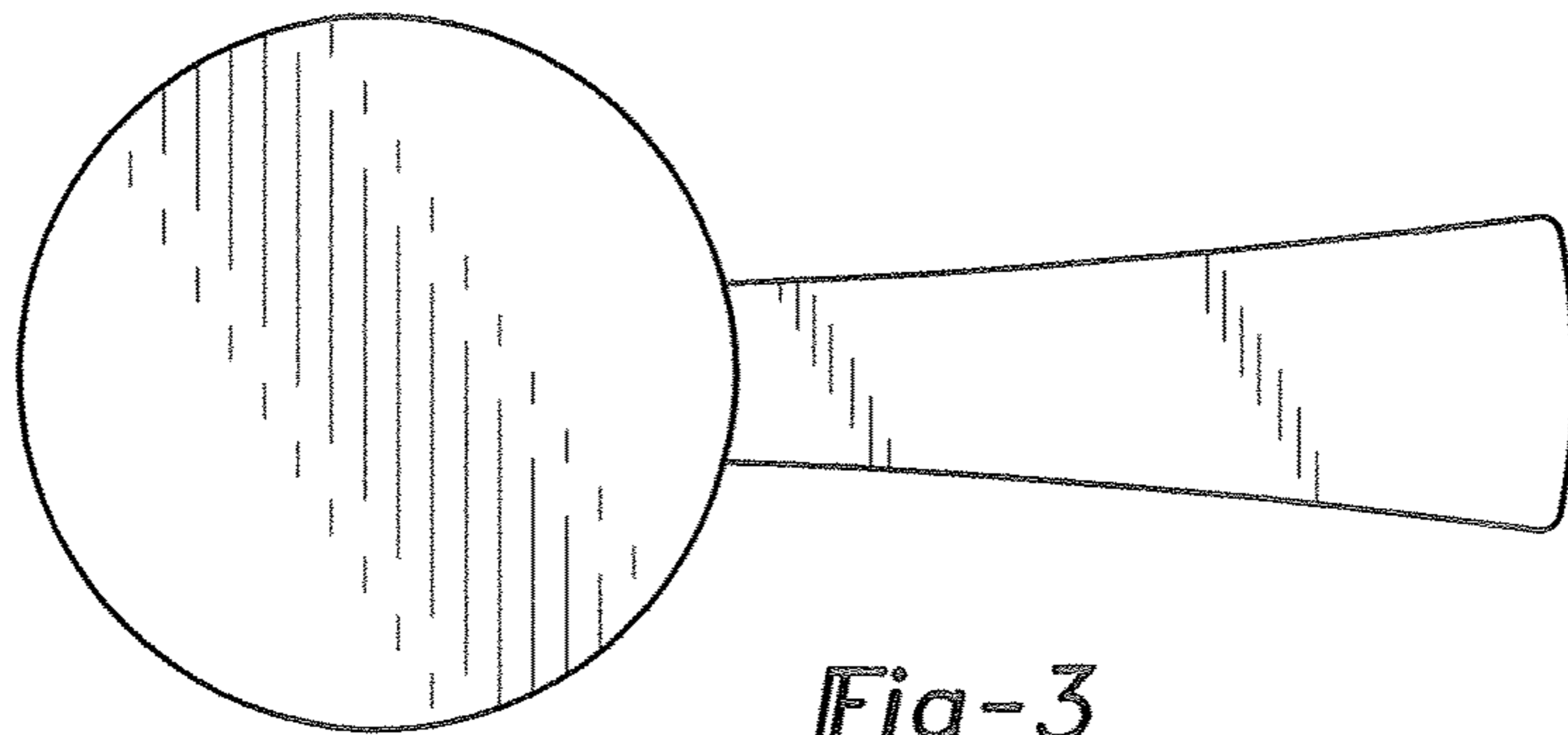


Fig-3

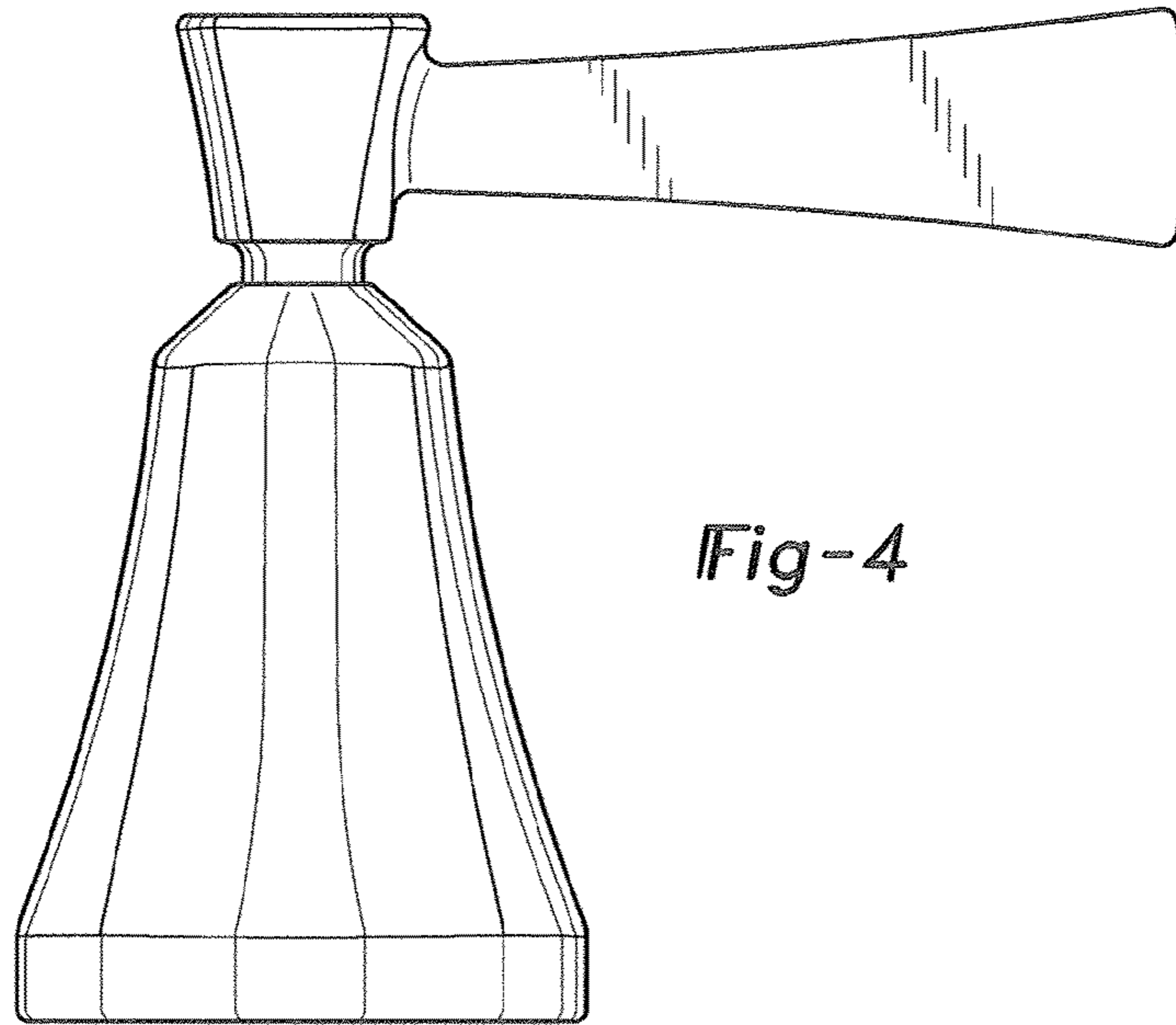


Fig-4

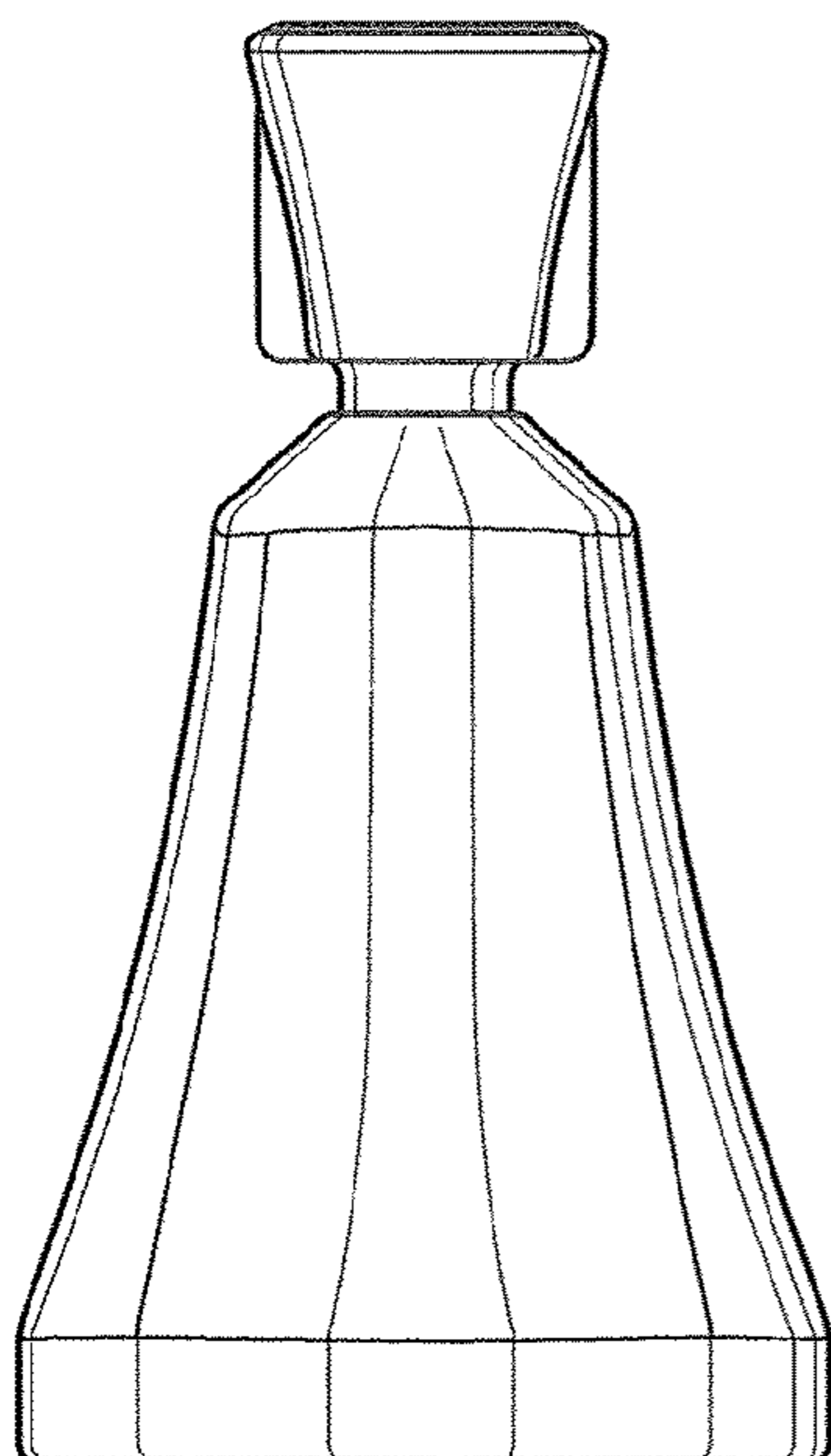


Fig-5

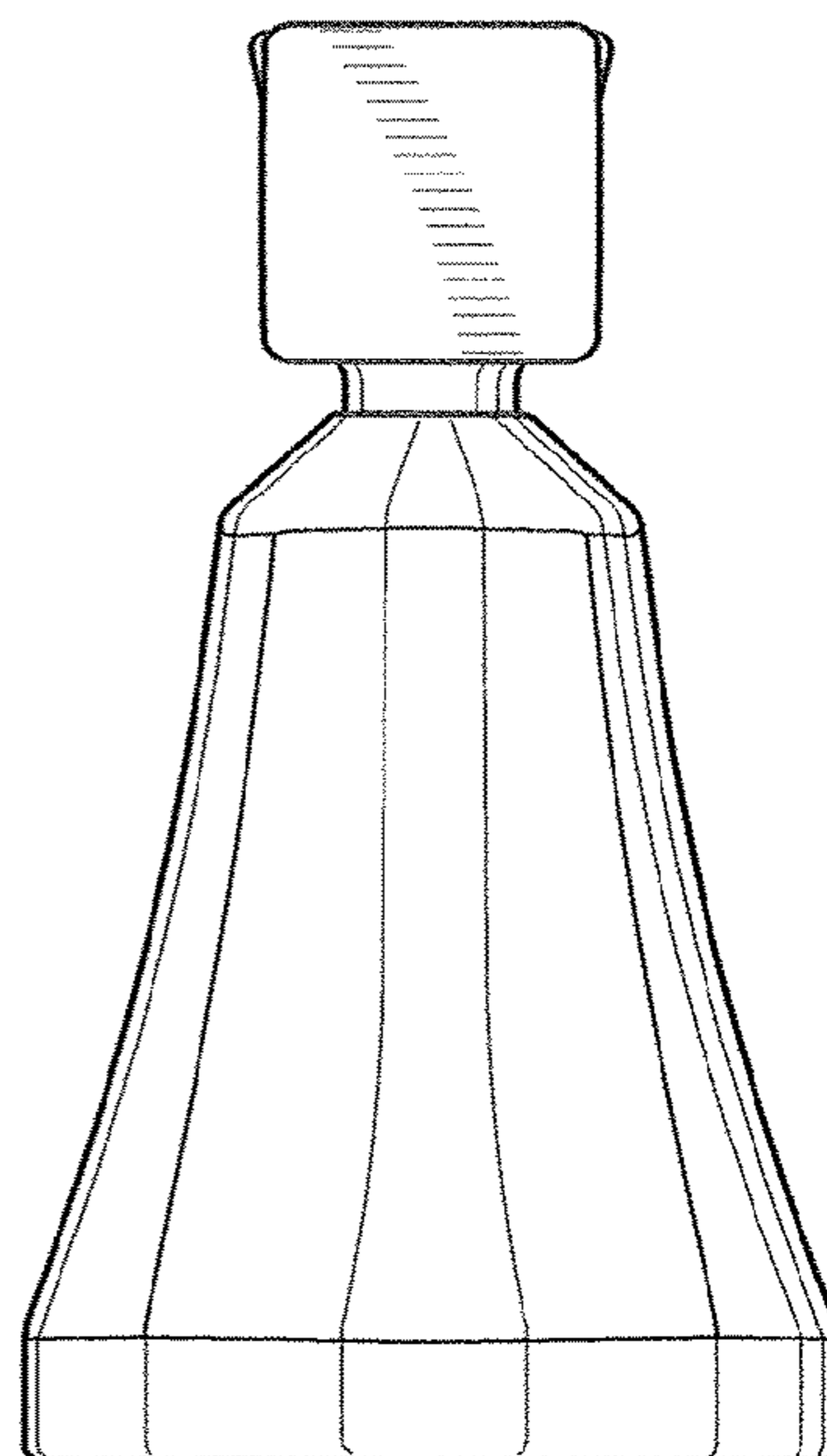


Fig-6