



US00D754822S

(12) **United States Design Patent**
Byron et al.

(10) **Patent No.:** **US D754,822 S**

(45) **Date of Patent:** **** Apr. 26, 2016**

(54) **SHOWER VALVE**

(71) Applicant: **BRASSCRAFT MANUFACTURING COMPANY**, Novi, MI (US)

(72) Inventors: **David Jonathan Byron**, Southfield, MI (US); **Alicia Krause**, Shelby Township, MI (US); **Nicole Collins**, Livonia, MI (US); **Lauren Mamelka**, Lathrup Village, MI (US); **Joseph P. Schutte**, Ann Arbor, MI (US)

(73) Assignee: **BrassCraft Manufacturing Company**, Novi, MI (US)

(**) Term: **14 Years**

(21) Appl. No.: **29/521,715**

(22) Filed: **Mar. 26, 2015**

(51) **LOC (10) Cl.** **23-01**

(52) **U.S. Cl.**
USPC **D23/250**

(58) **Field of Classification Search**
USPC D23/238, 241–243, 250, 252, 254
CPC E03C 1/04; E03C 1/0401; E03C 1/0402;
E03C 1/0404

See application file for complete search history.

(56) **References Cited**

U.S. PATENT DOCUMENTS

D478,148 S * 8/2003 Ouyoung D23/238
D489,119 S * 4/2004 Ouyoung D23/242

* cited by examiner

Primary Examiner — Robert Delehanty

(74) *Attorney, Agent, or Firm* — Kirk W. Rudolph

(57) **CLAIM**

The ornamental design for a shower valve, as shown and described.

DESCRIPTION

FIG. 1 is a perspective view of a shower valve showing our design;

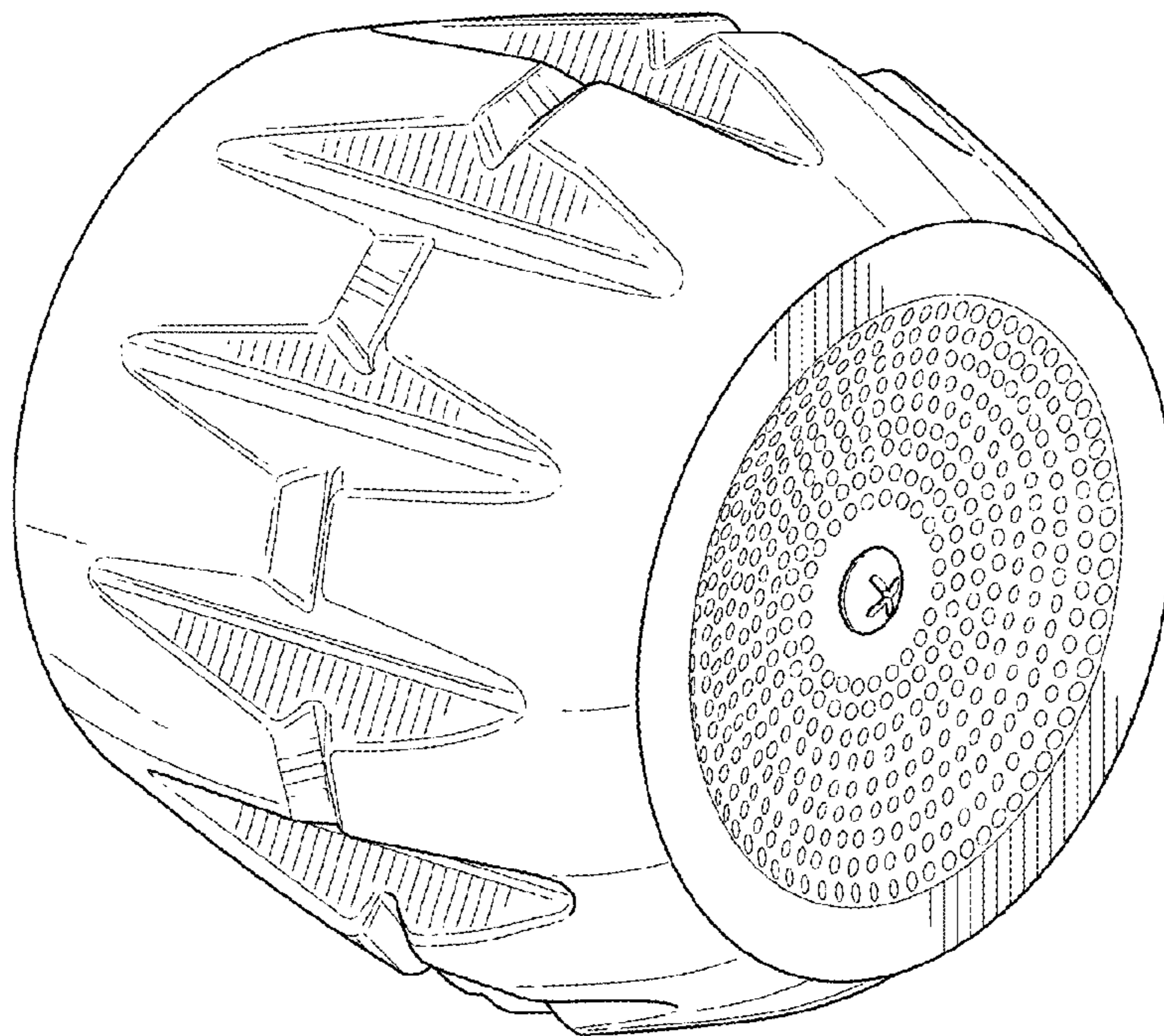
FIG. 2 is a front view thereof;

FIG. 3 is a rear view thereof; and,

FIG. 4 is a side view thereof.

The broken lines in the drawings represent unclaimed portions of the shower valve and form no portion thereof.

1 Claim, 4 Drawing Sheets



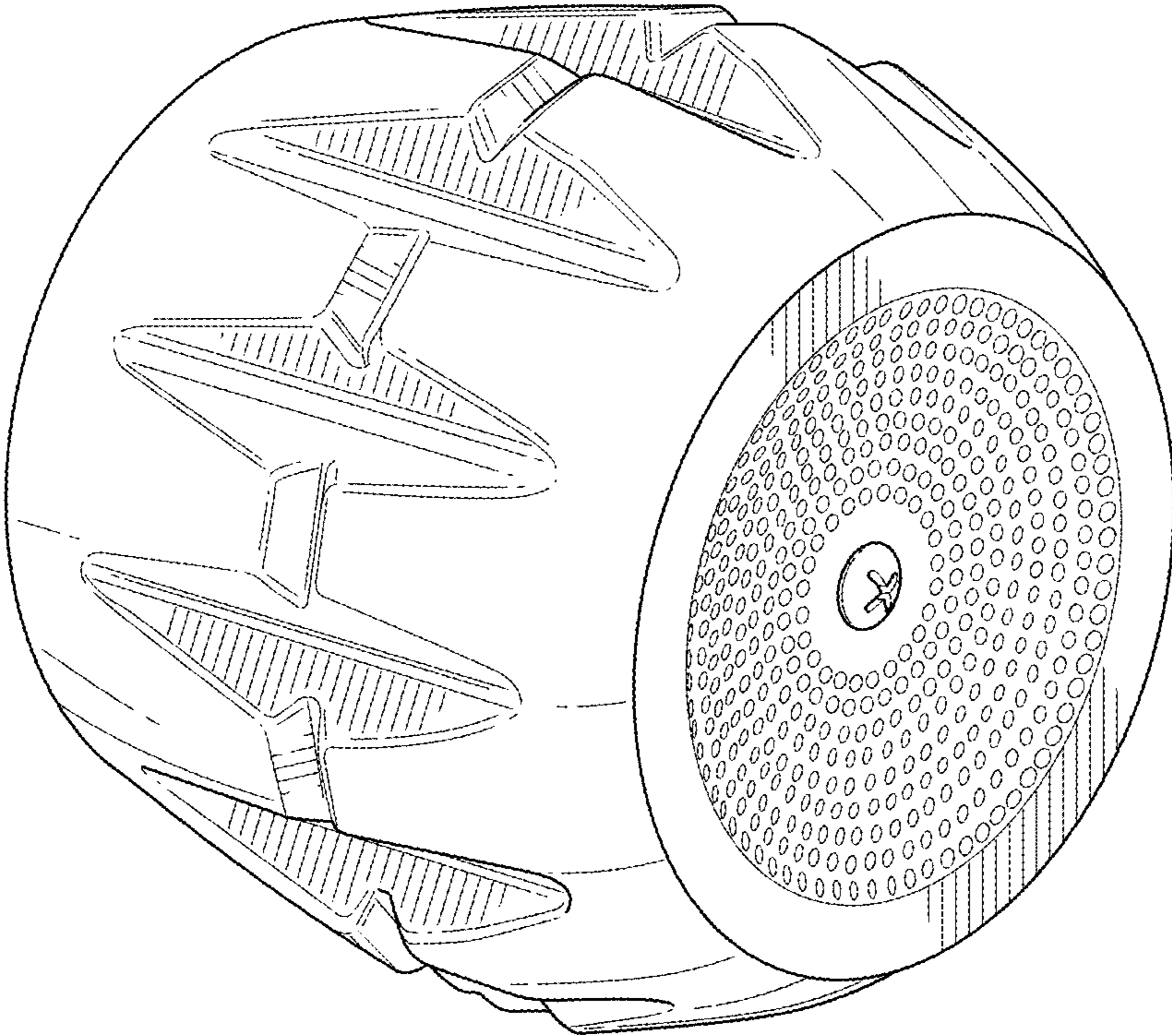


FIG. 1

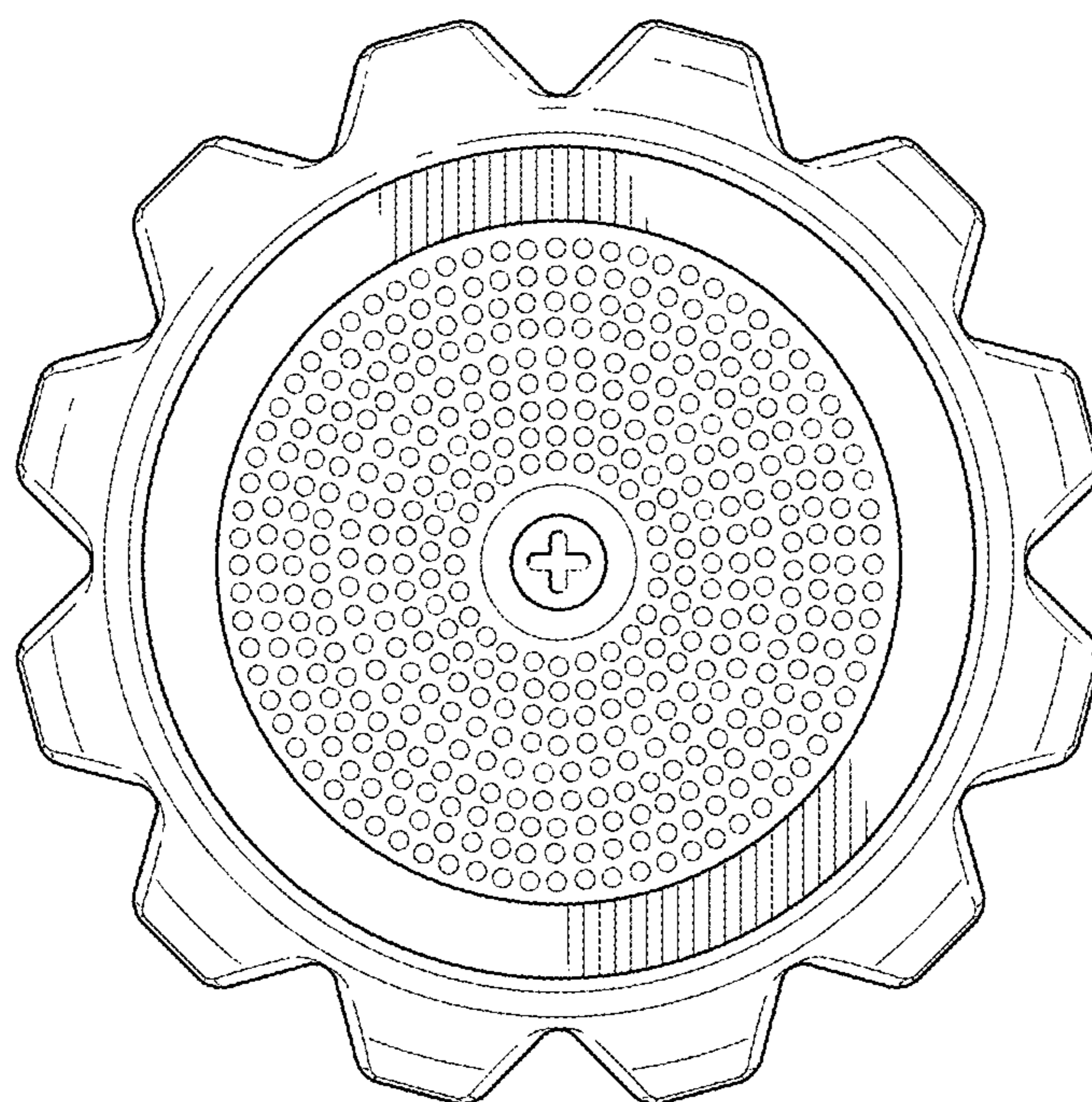


FIG. 2

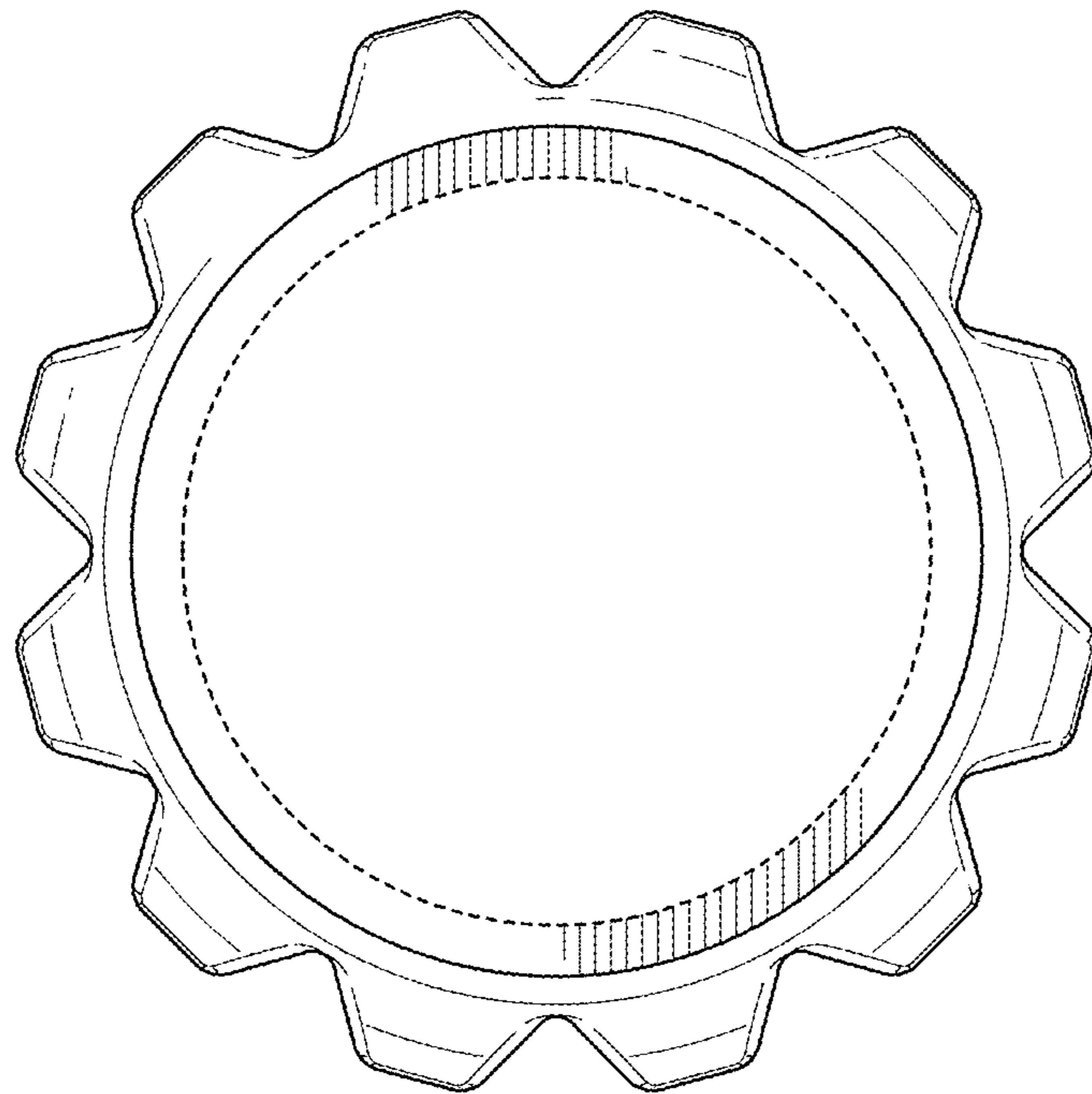


FIG. 3

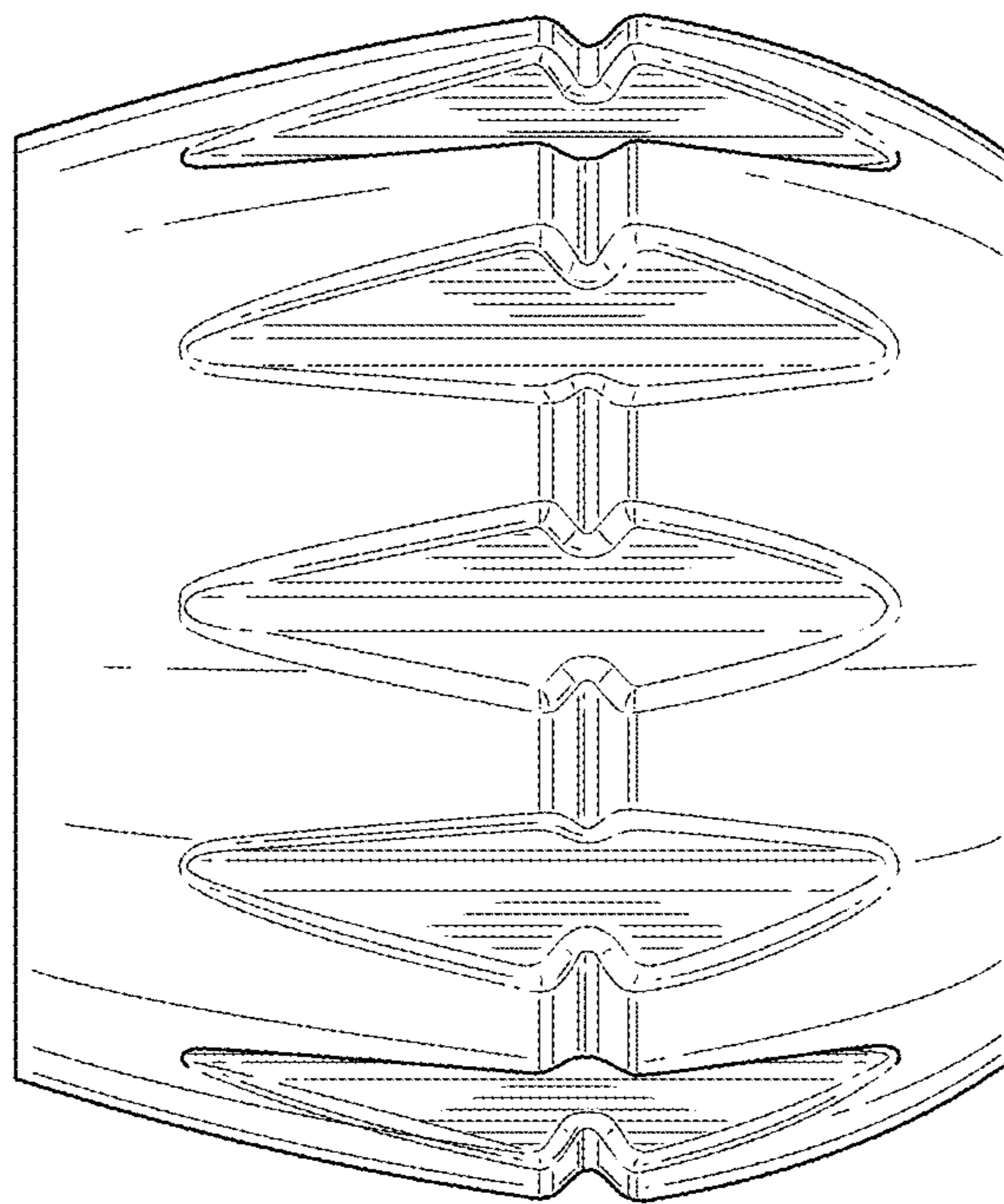


FIG. 4