



US00D754821S

(12) **United States Design Patent**
Bahler

(10) **Patent No.:** **US D754,821 S**
(45) **Date of Patent:** **** Apr. 26, 2016**

(54) **FAUCET BASE**

(71) Applicant: **Delta Faucet Company**, Indianapolis, IN (US)

(72) Inventor: **Jordan Renee Bahler**, Frankfort, IN (US)

(73) Assignee: **DELTA FAUCET COMPANY**, Indianapolis, IN (US)

(**) Term: **14 Years**

(21) Appl. No.: **29/514,504**

(22) Filed: **Jan. 13, 2015**

(51) **LOC (10) Cl.** **23-01**

(52) **U.S. Cl.**
USPC **D23/238**

(58) **Field of Classification Search**
USPC D23/238, 241–243, 249–250, 252, 254–255, 257
CPC E03C 1/04; E03C 1/0401; E03C 1/0402; E03C 1/0404

See application file for complete search history.

(56) **References Cited**

U.S. PATENT DOCUMENTS

D536,065 S * 1/2007 Wang D23/238
D574,063 S * 7/2008 Tsai D23/255
D737,936 S * 9/2015 Pony D23/238

* cited by examiner

Primary Examiner — Robert Delehanty

(74) *Attorney, Agent, or Firm* — Edgar A. Zarins; Nirav D. Parikh

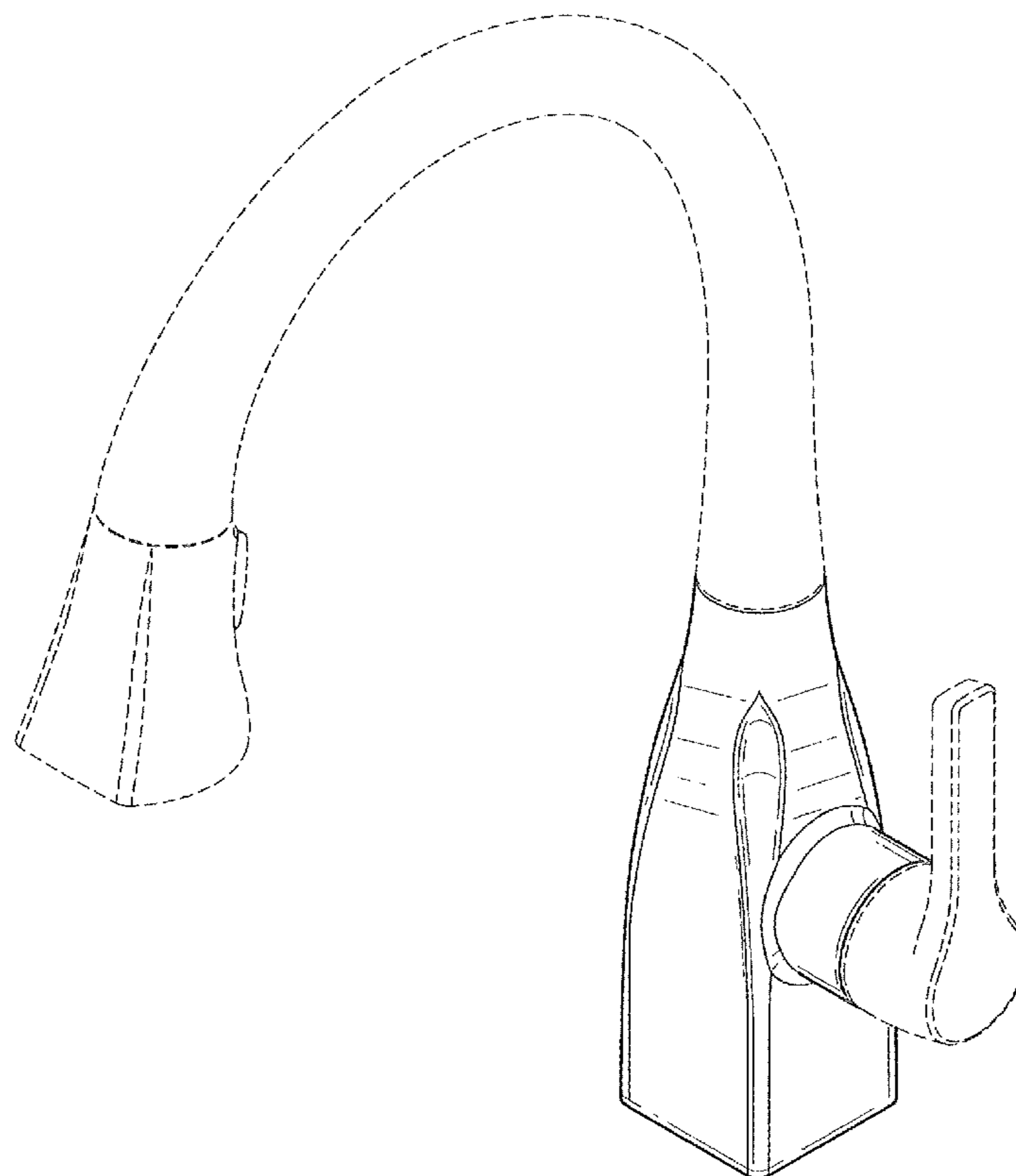
(57) **CLAIM**

The ornamental design for a faucet base, as shown and described.

DESCRIPTION

FIG. 1 is a perspective view of a faucet base showing my new design;
FIG. 2 is a top plan view thereof;
FIG. 3 is a left side view thereof;
FIG. 4 is a front side view thereof, the opposite side being a mirror image of the side shown; and,
FIG. 5 is a bottom view thereof.
The broken lines showing faucet spout, sprayhead and handle are included for the purpose of illustrating portions of the faucet that form no part of the claimed design.

1 Claim, 2 Drawing Sheets



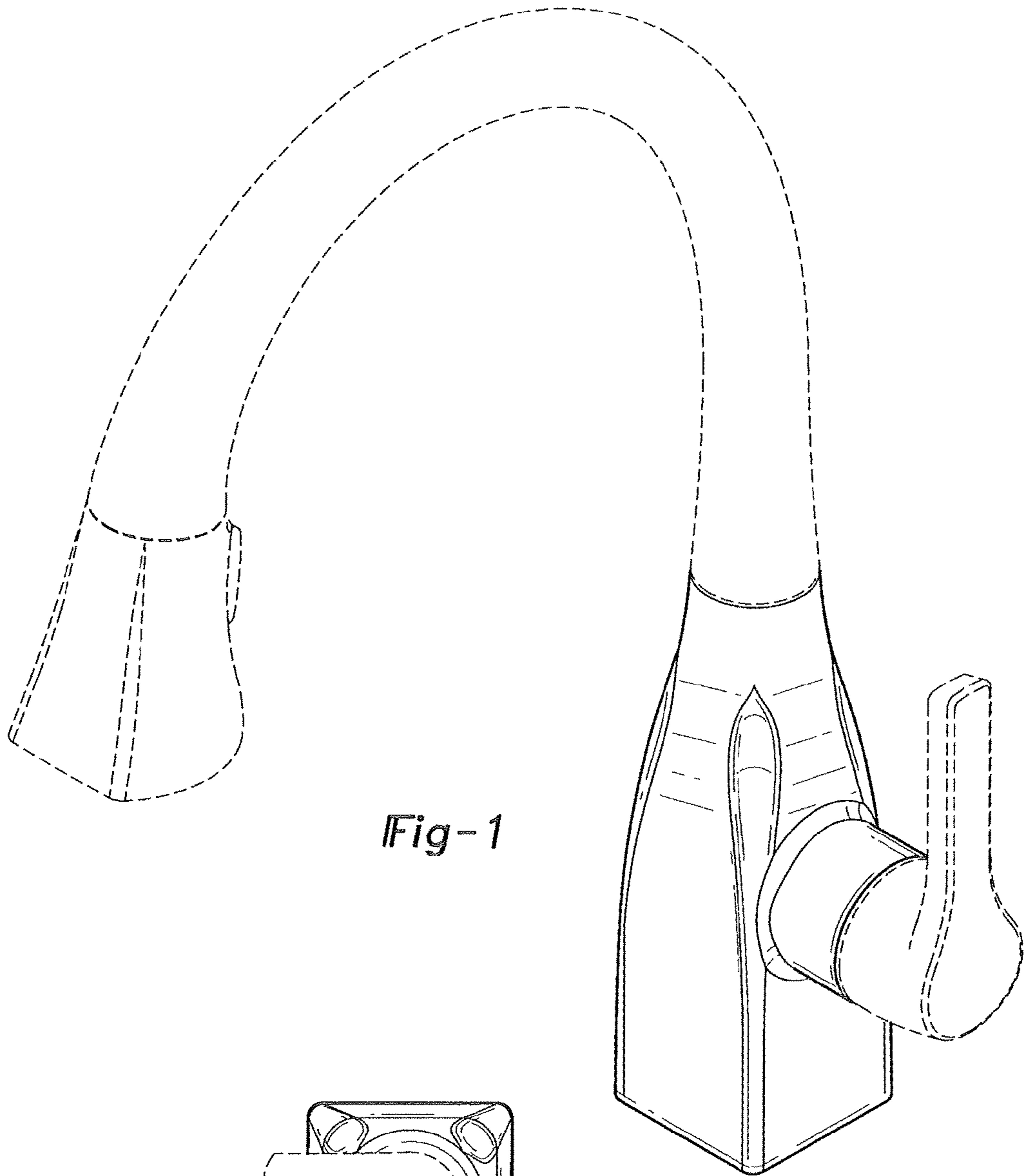


Fig-1

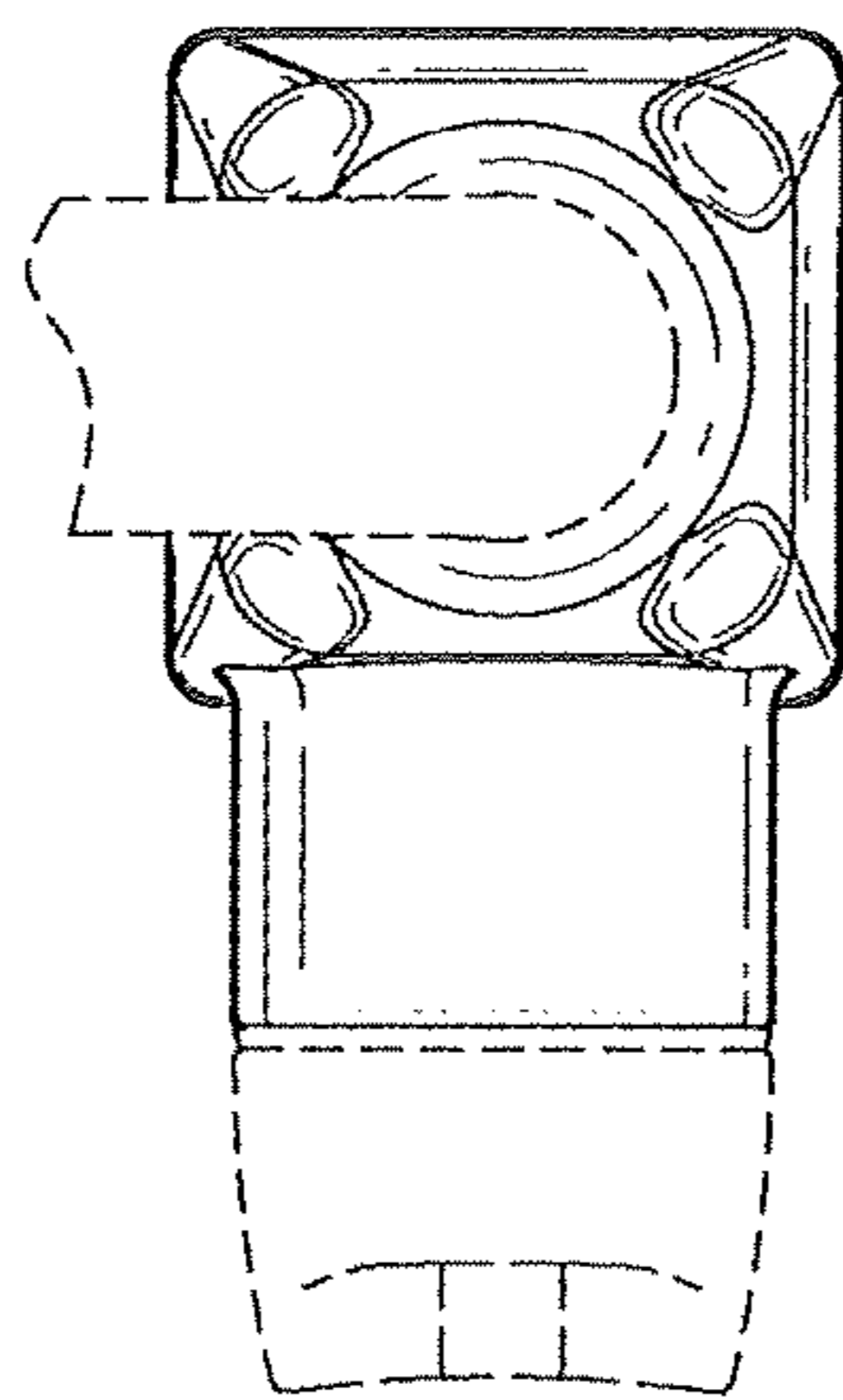


Fig-2

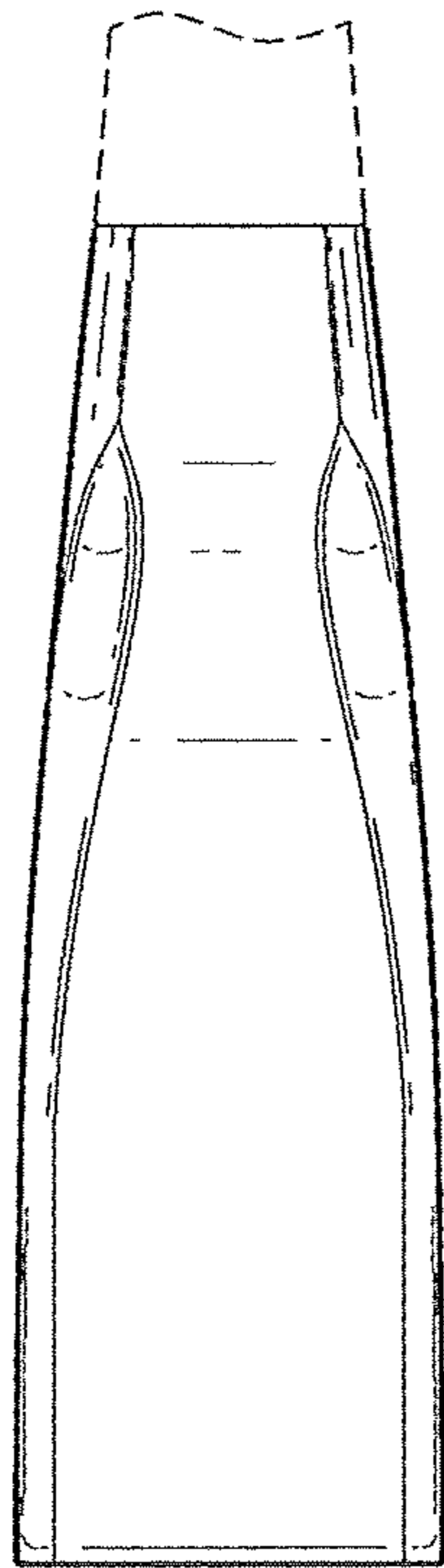


Fig-3

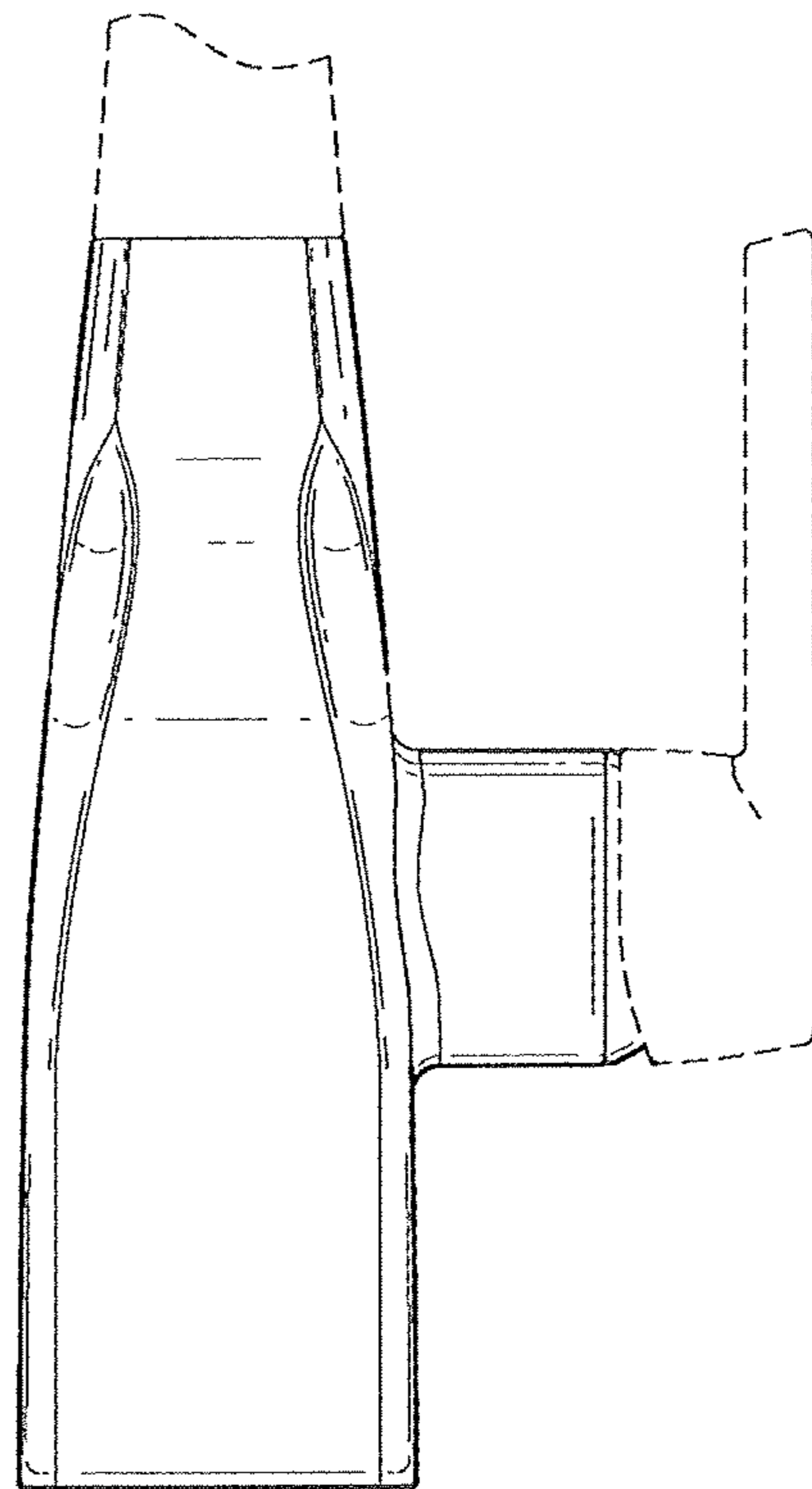


Fig-4

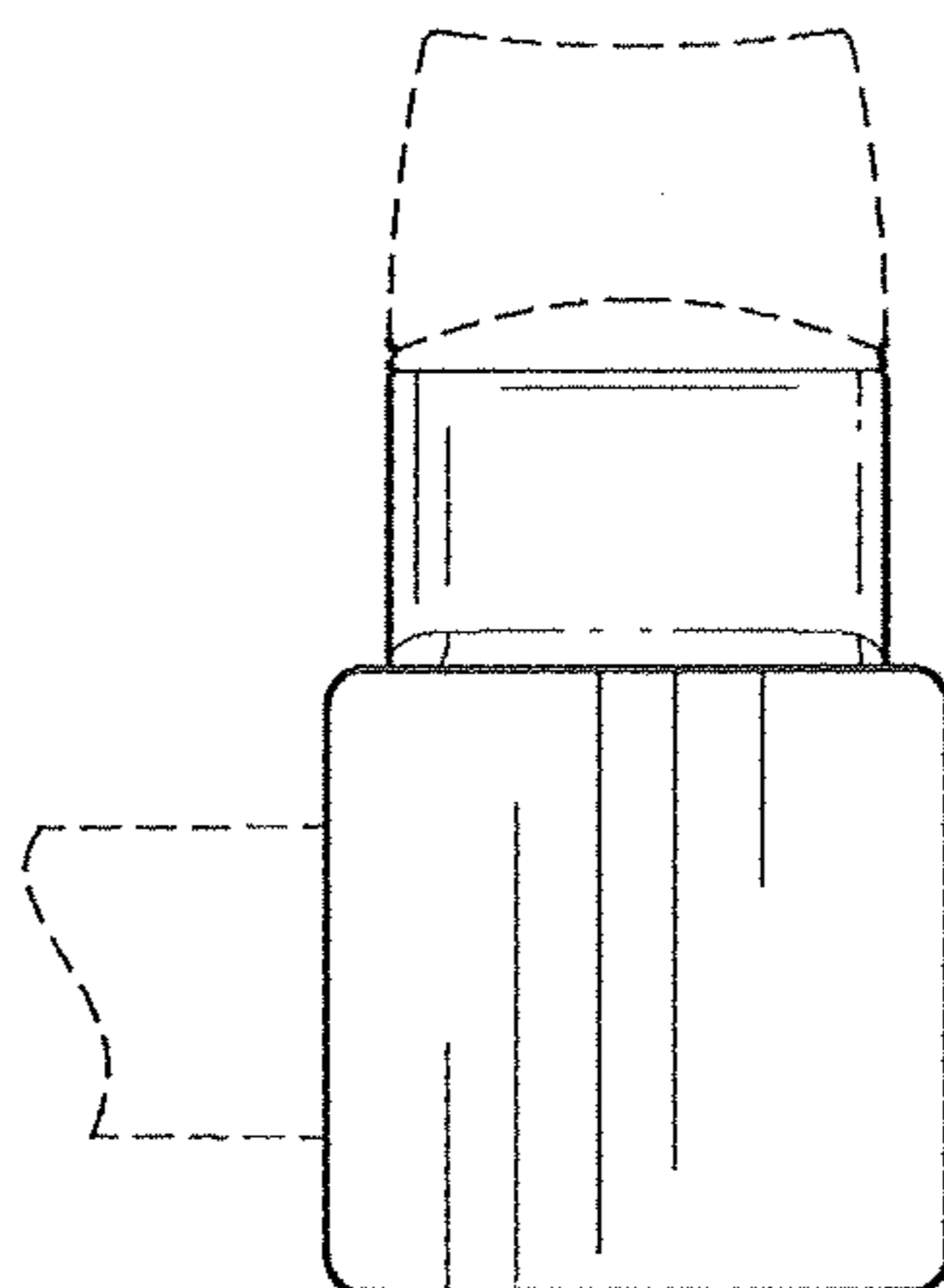


Fig-5