



US00D754819S

(12) **United States Design Patent**  
**Bonomi**

(10) **Patent No.:** **US D754,819 S**  
(45) **Date of Patent:** **\*\* Apr. 26, 2016**

(54) **VALVE WITH ACTUATOR**  
(71) Applicant: **Valbia S.r.l.**, Lumezzane (Brescia) (IT)  
(72) Inventor: **Aldo Bonomi**, Lumezzane (Brescia) (IT)  
(73) Assignee: **VALBIA S.R.L.**, Lumezzane (Brescia) (IT)

D614,150 S \* 4/2010 Crites ..... D13/158  
D691,240 S \* 10/2013 Iranyi ..... D23/233  
D691,701 S \* 10/2013 Iranyi ..... D23/233  
D697,585 S \* 1/2014 Liu ..... D23/233  
8,632,054 B2 \* 1/2014 Carlson ..... F16K 31/44  
251/128  
8,887,655 B2 \* 11/2014 Carlson ..... F16K 31/44  
116/277  
2004/0099833 A1 \* 5/2004 Haikawa ..... F16K 31/041  
251/292

(\*\*) Term: **14 Years**  
(21) Appl. No.: **29/525,810**  
(22) Filed: **May 4, 2015**

\* cited by examiner  
*Primary Examiner* — Cynthia Ramirez  
*Assistant Examiner* — Gino Colan  
(74) *Attorney, Agent, or Firm* — Reising Ethington P.C.

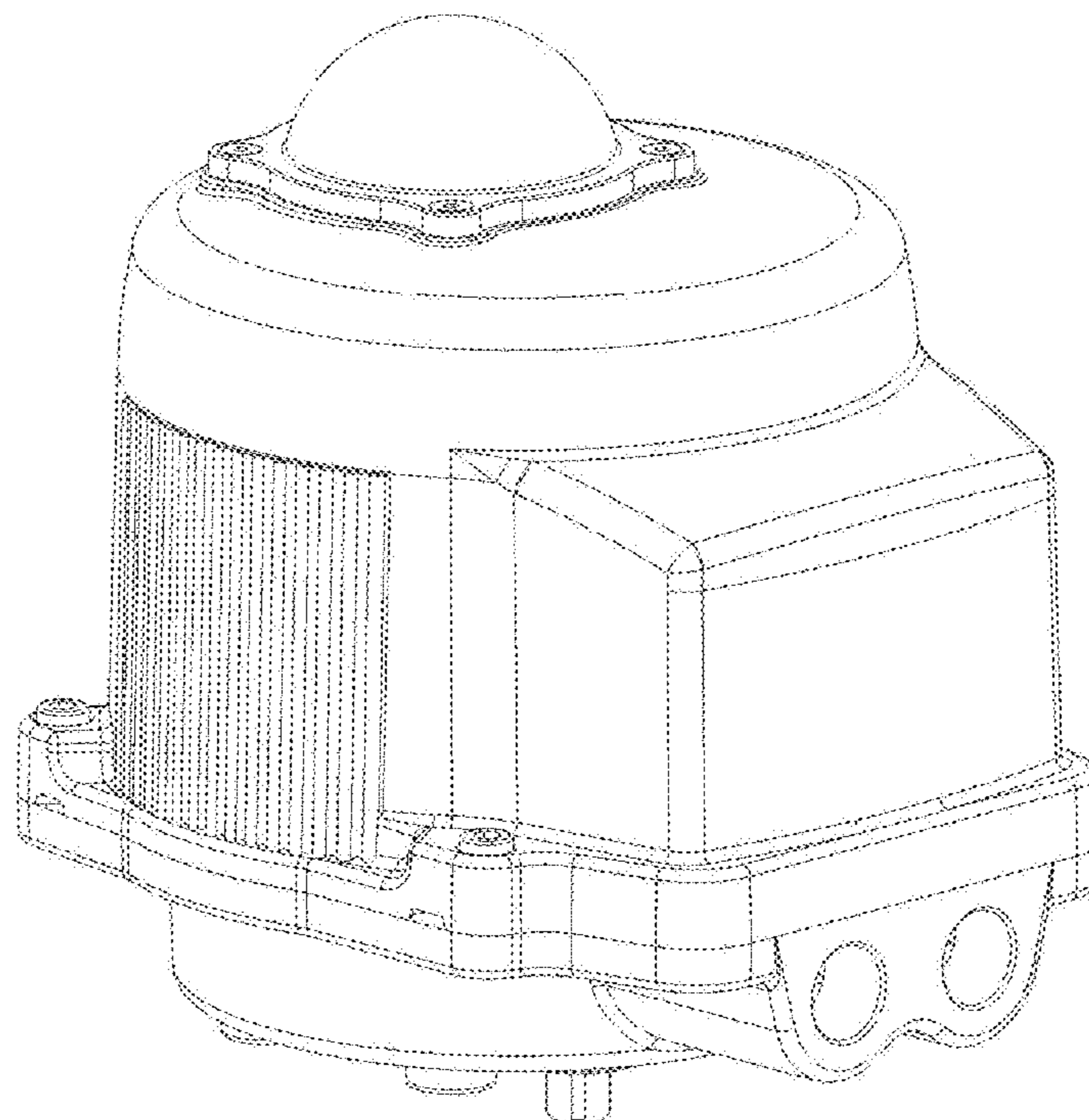
(30) **Foreign Application Priority Data**  
Nov. 4, 2014 (EM) ..... 002571281-0001  
(51) **LOC (10) Cl.** ..... **23-01**  
(52) **U.S. Cl.**  
USPC ..... **D23/233**  
(58) **Field of Classification Search**  
USPC ..... D23/233–249, 213, 252; 251/129.12,  
251/129.02, 129.03, 291, 292, 128, 129.11,  
251/304, 129.13, 111, 93, 101, 97;  
137/554, 556, 553; D13/158, 162, 164,  
D13/177, 184, 199  
CPC ..... F16K 31/0675; F16K 31/00; F16K 31/12  
See application file for complete search history.

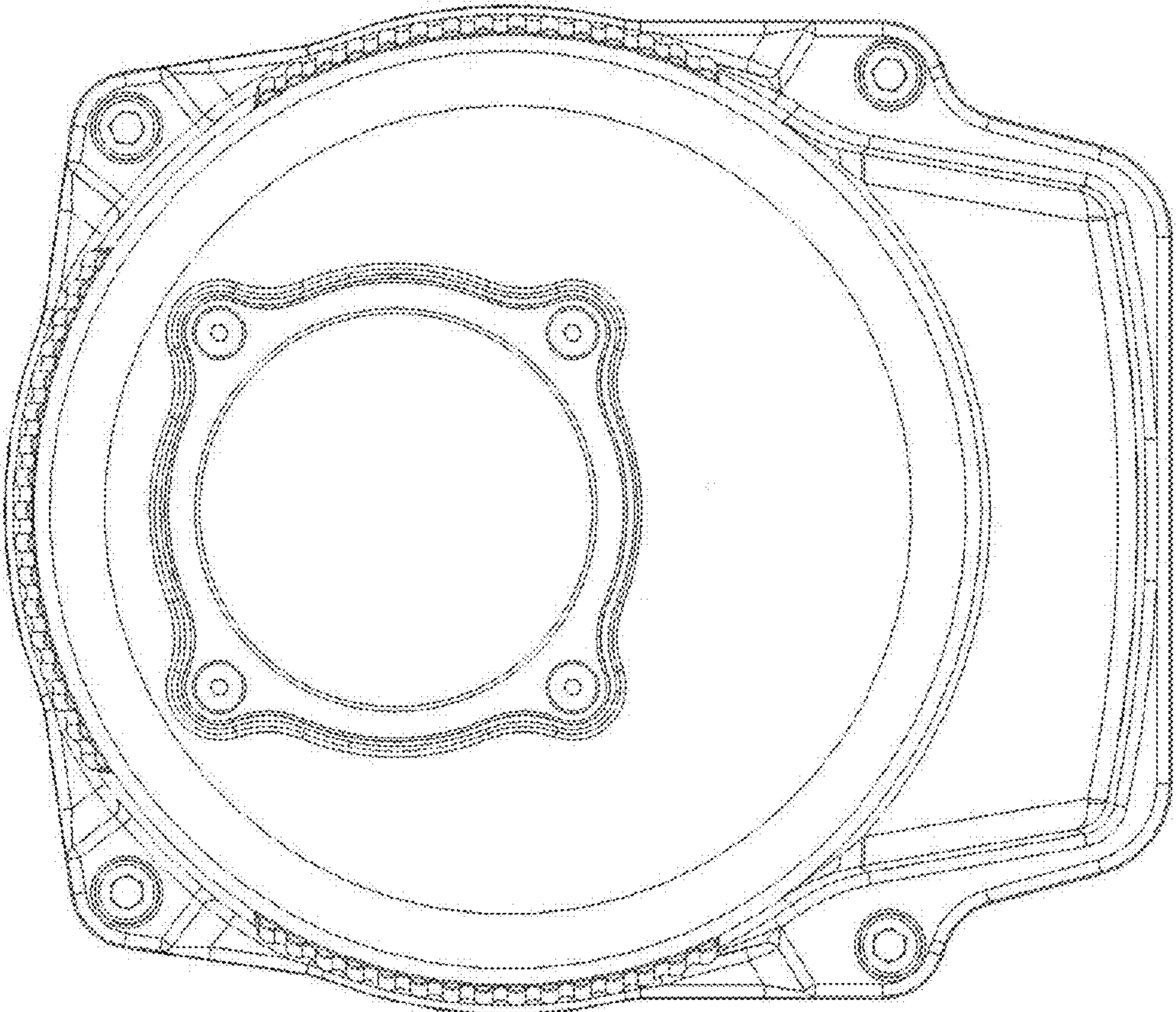
(57) **CLAIM**  
The ornamental design for a valve with actuator, as shown and described.

(56) **References Cited**  
U.S. PATENT DOCUMENTS  
D322,657 S \* 12/1991 Aarthun ..... D23/233  
D552,643 S \* 10/2007 Bonomi ..... D15/149

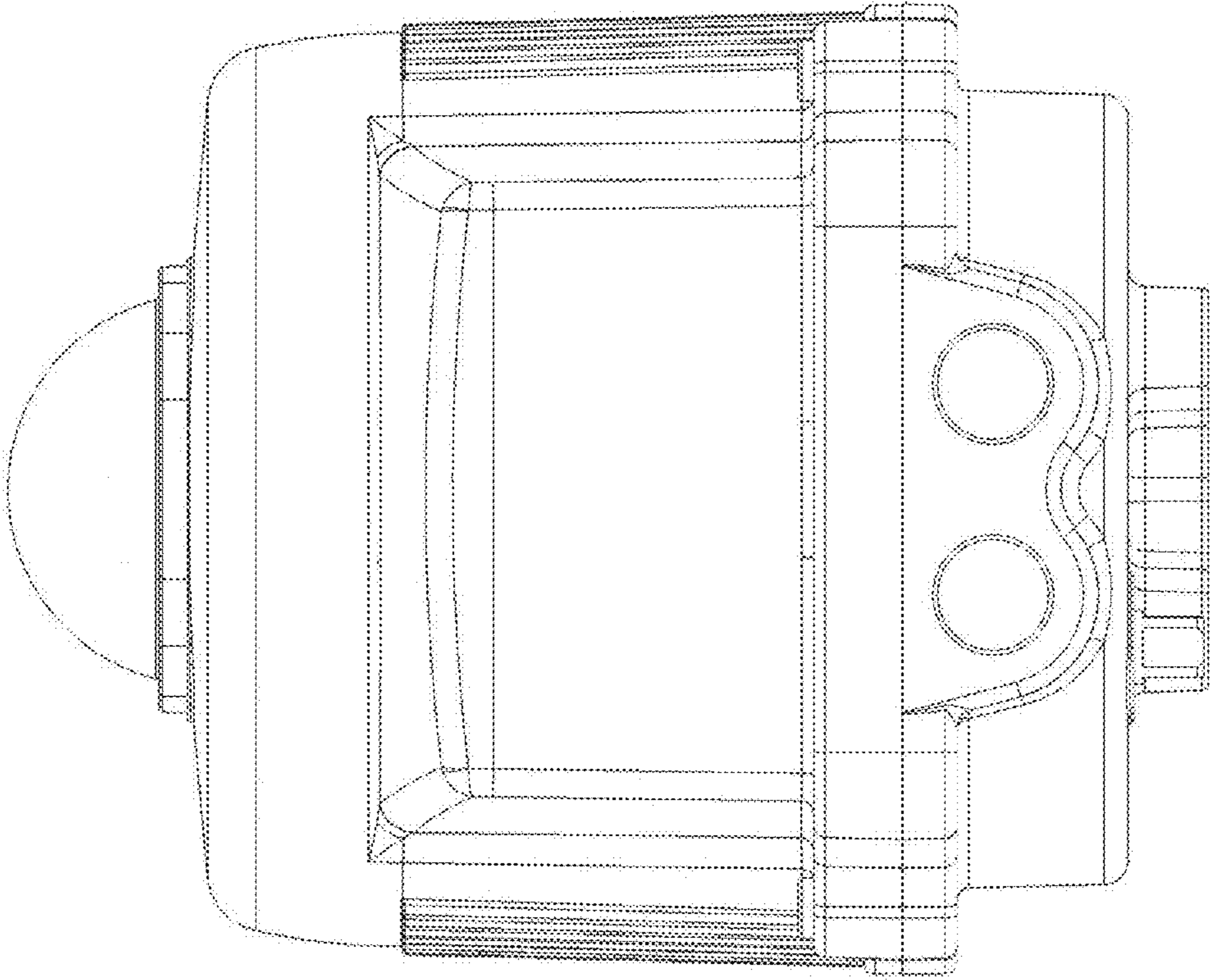
**DESCRIPTION**  
FIG. 1 is a top view of the valve with actuator;  
FIG. 2 is a front view of the valve with actuator;  
FIG. 3 is a bottom view of the valve with actuator;  
FIG. 4 is a rear view of the valve with actuator;  
FIG. 5 is a left side view of the valve with actuator;  
FIG. 6 is a right side view of the valve with actuator; and,  
FIG. 7 is a perspective view of the valve with actuator.  
The broken lines in the drawings are included for the purpose of illustrating elements of the valve with actuator and form no part of the claimed design.

**1 Claim, 7 Drawing Sheets**



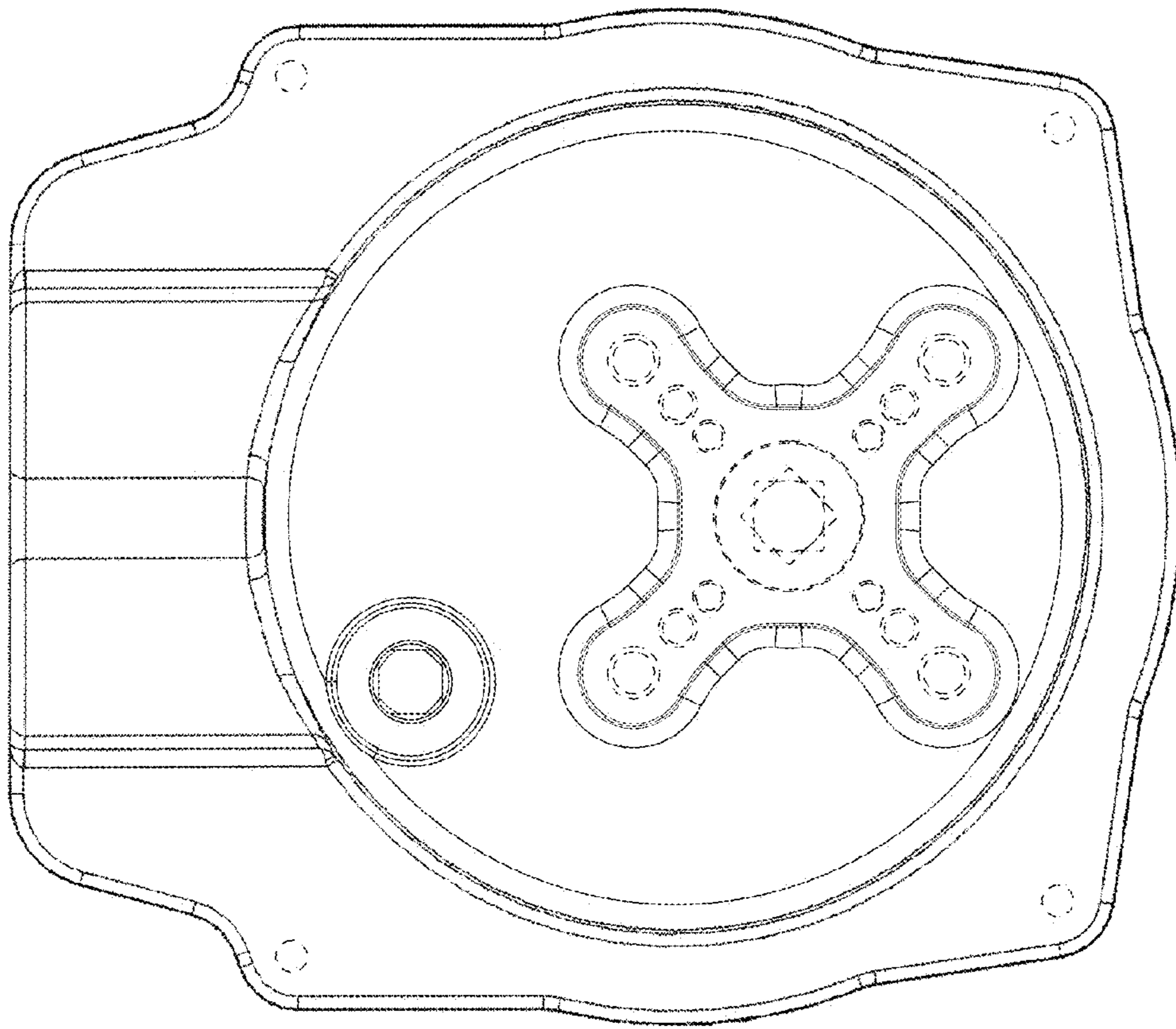


***FIG. 1***

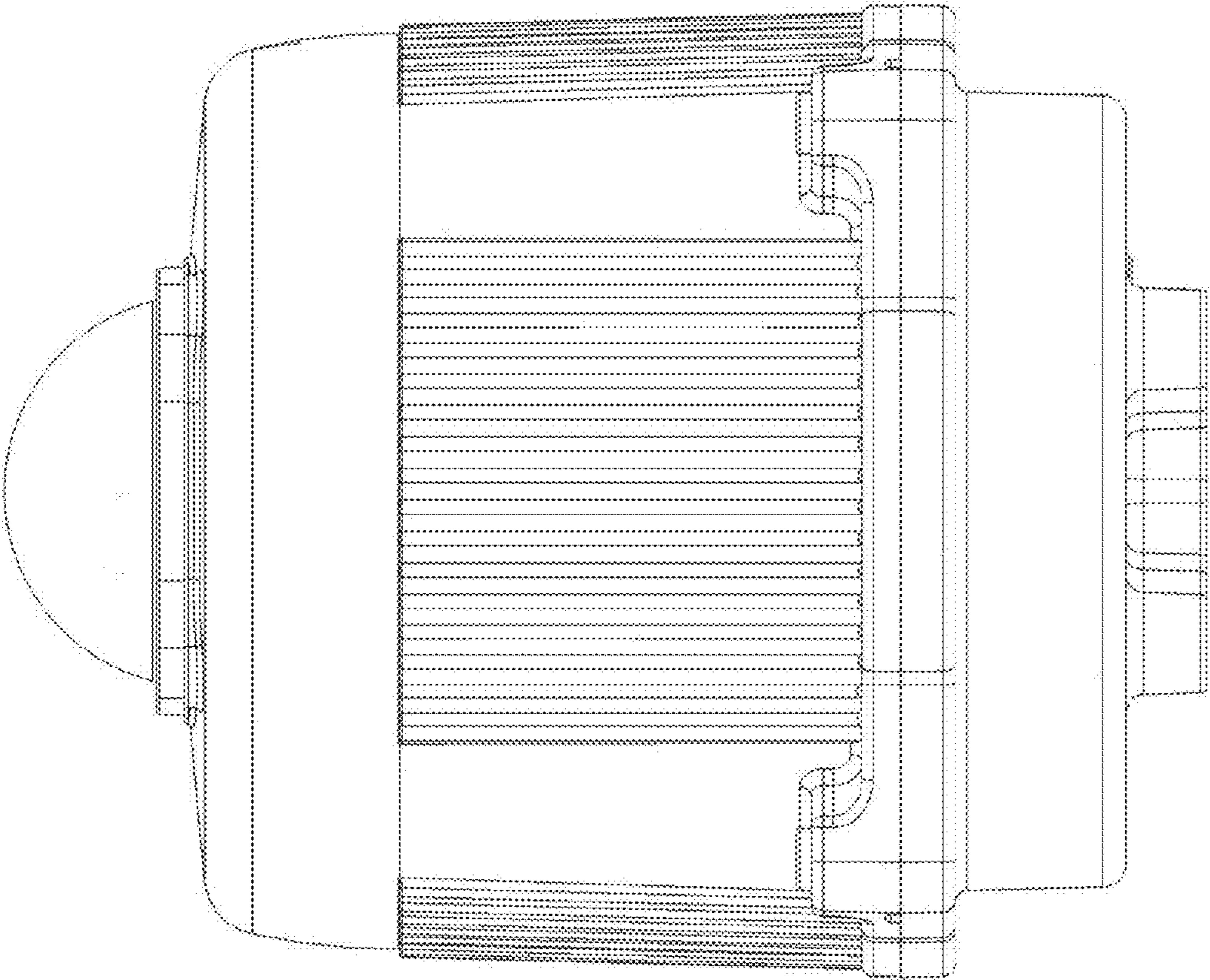


**FIG. 2**

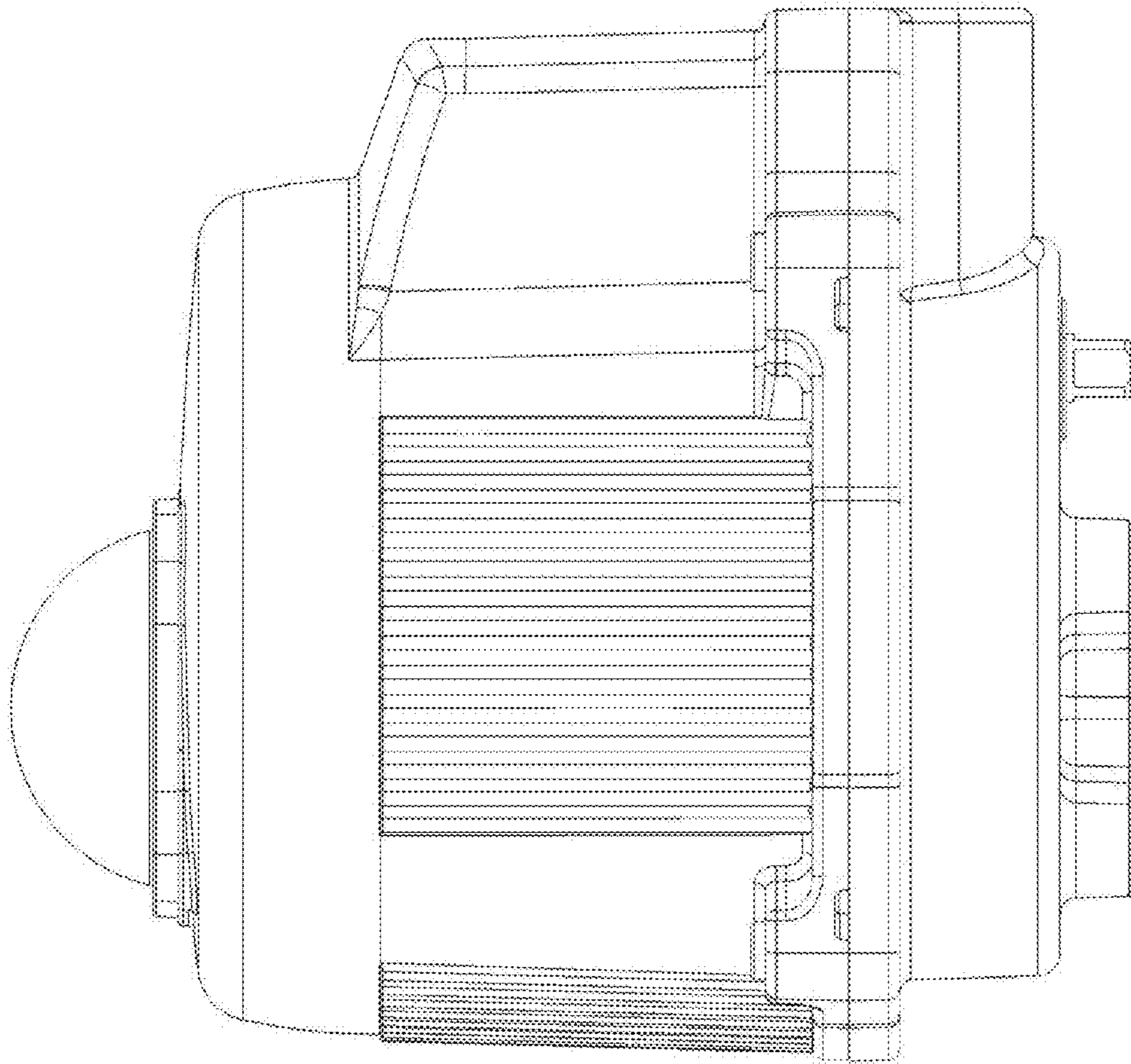




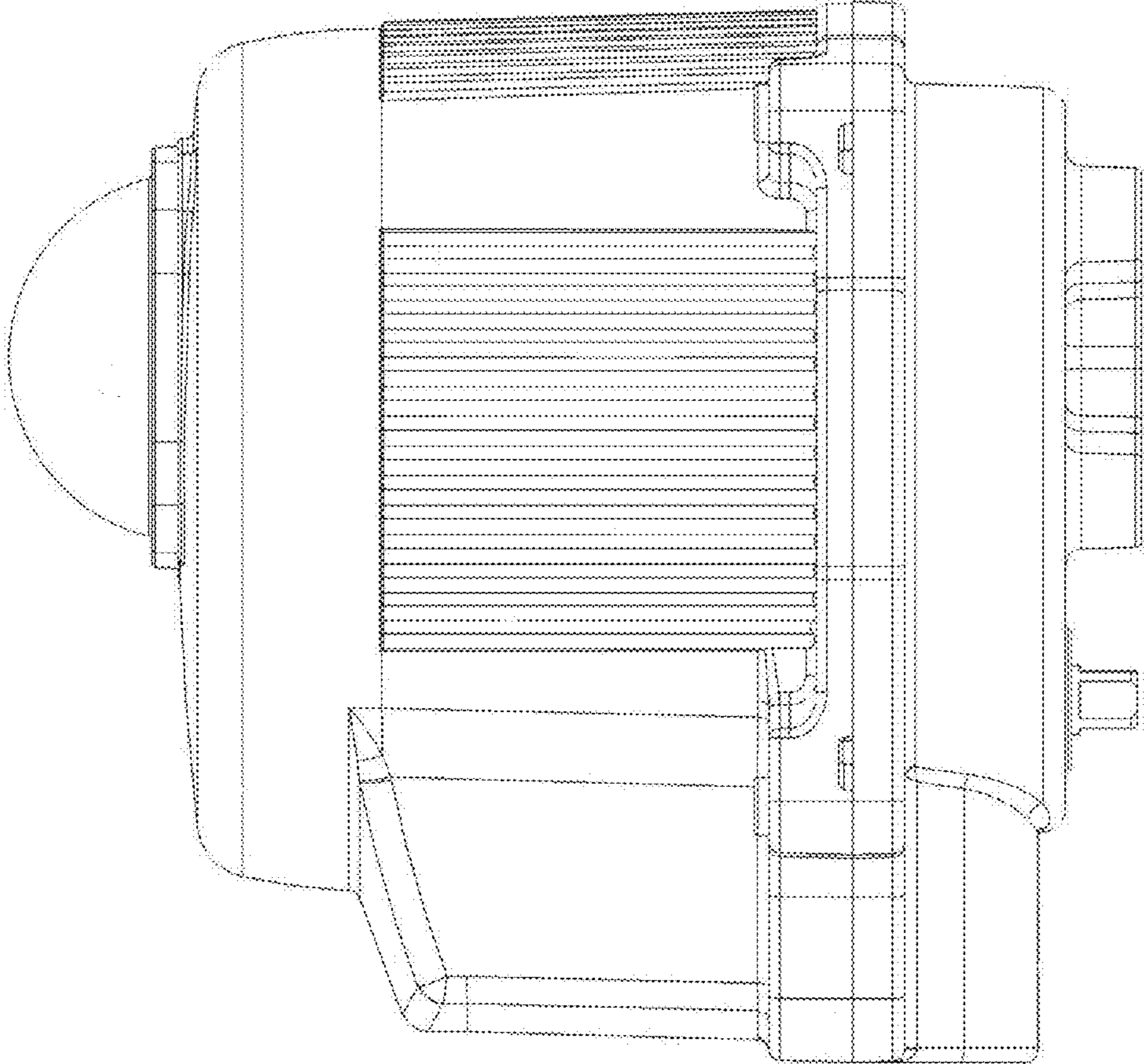
**FIG. 3**



**FIG. 4**

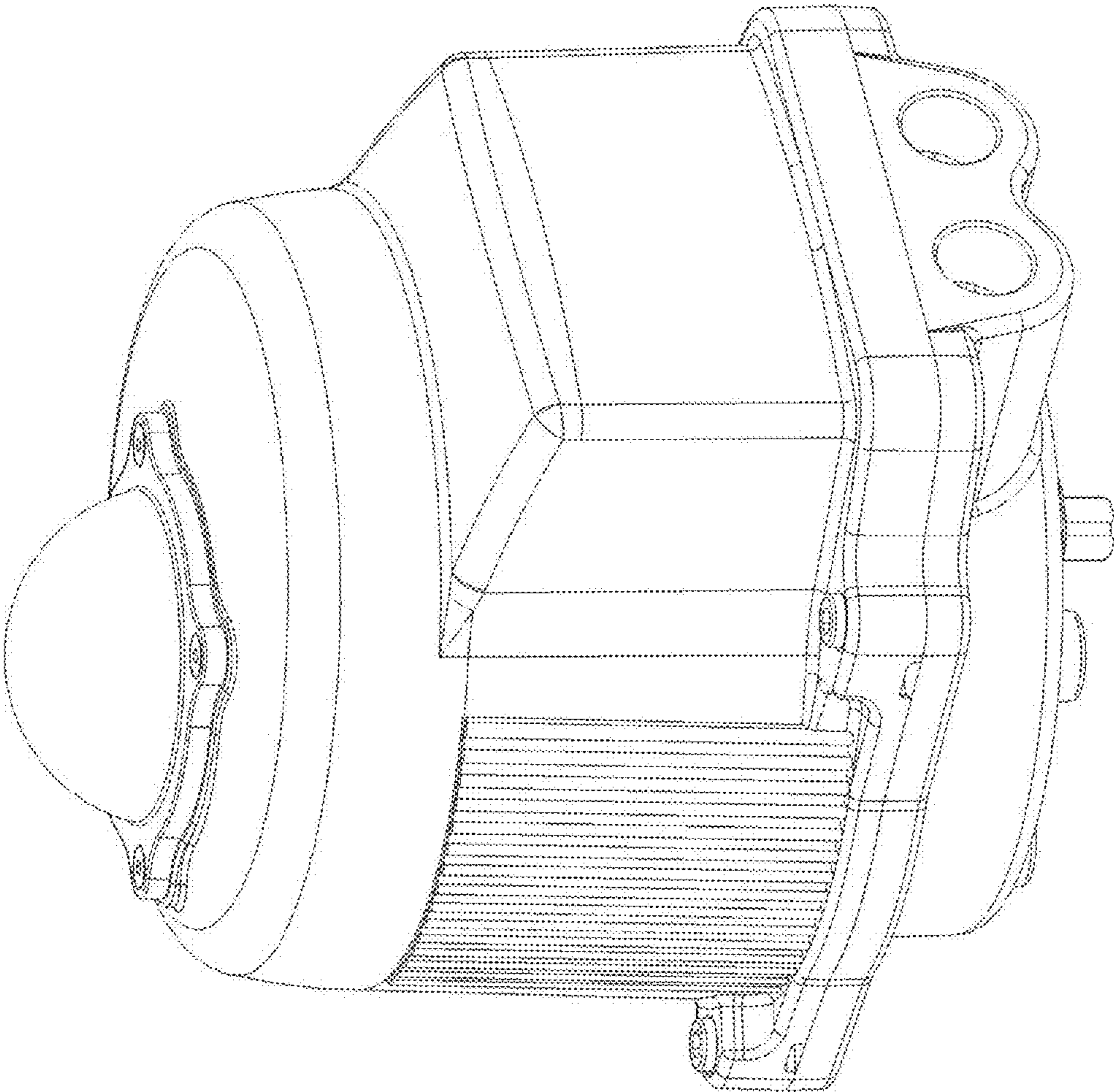


**FIG. 5**



*FIG. 6*





**FIG. 7**