

US00D754818S

(12) **United States Design Patent**
Watanabe et al.

(10) **Patent No.:** **US D754,818 S**
(45) **Date of Patent:** **** Apr. 26, 2016**

(54) **EXPANSION VALVE**

(71) Applicant: **TGK CO., LTD.**, Tokyo (JP)

(72) Inventors: **Takeshi Watanabe**, Tokyo (JP); **Takeshi Kaneko**, Tokyo (JP)

(73) Assignee: **TGK CO., LTD.**, Tokyo (JP)

(**) Term: **14 Years**

(21) Appl. No.: **29/522,356**

(22) Filed: **Mar. 30, 2015**

(30) **Foreign Application Priority Data**

Nov. 3, 2014 (EM) 002570283-0001

(51) **LOC (10) Cl.** **23-01**

(52) **U.S. Cl.**
USPC **D23/233**

(58) **Field of Classification Search**
USPC D23/233-250; D15/5-7; 251/129.01,
251/129.11, 264, 333, 331; 137/630.12, 14,
137/333, 340, 500, 511, 550, 596.12,
137/614.16

CPC F16K 11/074; F16K 11/10; F16K 31/0613
See application file for complete search history.

(56) **References Cited**

U.S. PATENT DOCUMENTS

D413,373 S * 8/1999 Watanabe D23/233
D427,285 S * 6/2000 Watanabe D23/233

D440,632 S 4/2001 Fukuda et al. D23/233
D647,597 S * 10/2011 Kobayashi D23/233
D649,222 S * 11/2011 Kobayashi D23/233
D683,816 S * 6/2013 Kobayashi D23/233
D683,819 S * 6/2013 Watanabe D23/233
D683,820 S * 6/2013 Watanabe D23/233
D693,430 S * 11/2013 Kaneko D23/233
D694,362 S * 11/2013 Kaneko D23/233
D701,292 S * 3/2014 Kaneko D23/233
D701,590 S 3/2014 Kaneko D23/233
D712,010 S 8/2014 Okutsu et al. D23/233

* cited by examiner

Primary Examiner — Cynthia Ramirez

Assistant Examiner — Gino Colan

(74) *Attorney, Agent, or Firm* — Martine Penilla Group, LLP

(57) **CLAIM**

The ornamental design for an expansion valve, as shown and described.

DESCRIPTION

FIG. 1 is a front perspective view of an expansion valve showing our new design;

FIG. 2 is a rear perspective view thereof;

FIG. 3 is a front view thereof;

FIG. 4 is a rear view thereof;

FIG. 5 is a left side view thereof, the right side view being a mirror image thereof;

FIG. 6 is a top view thereof; and,

FIG. 7 is a bottom view thereof.

The broken lines are for the purpose of illustrating portions of the expansion valve and form no part of the claimed design.

1 Claim, 7 Drawing Sheets

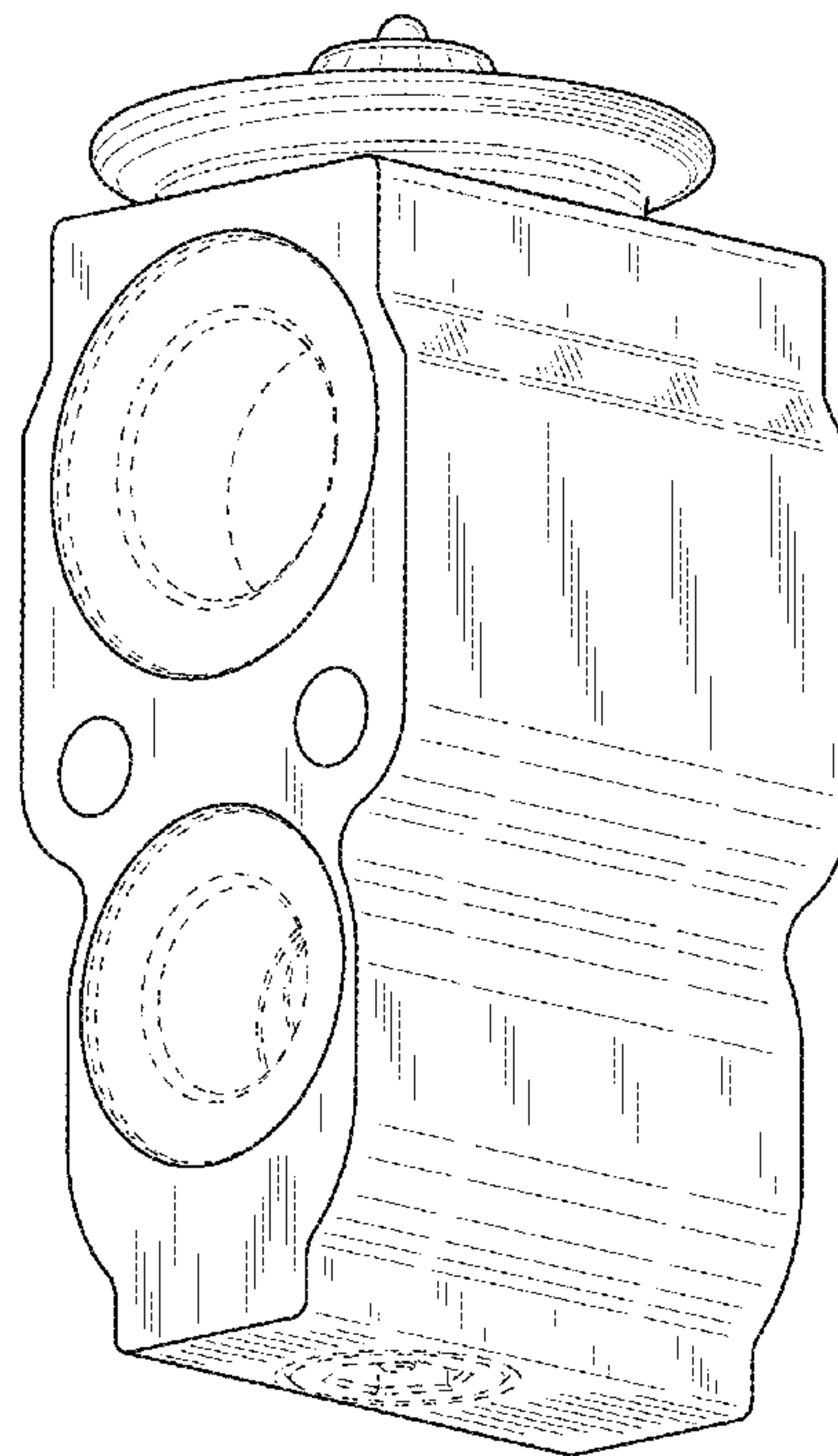
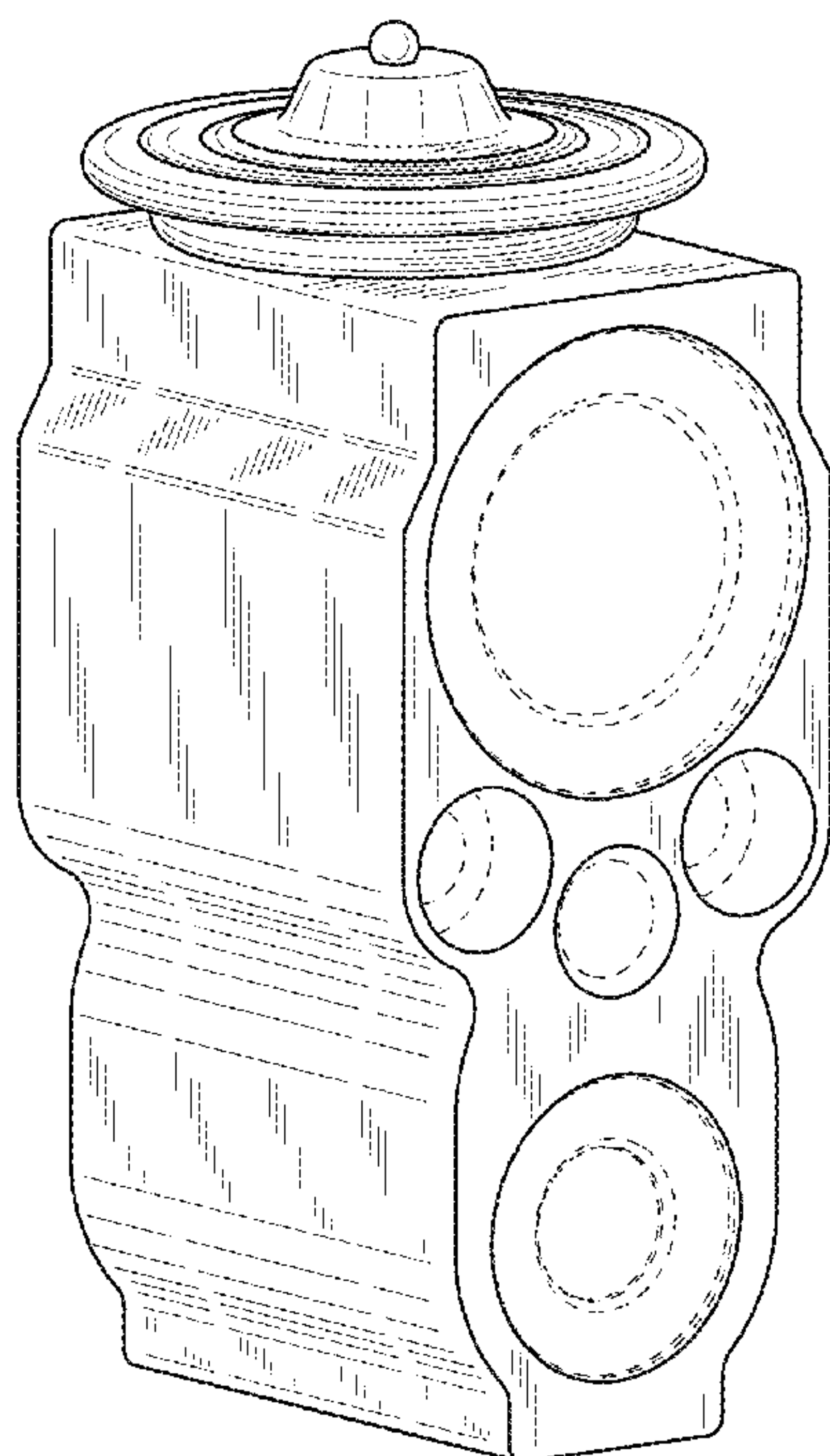


FIG. 1

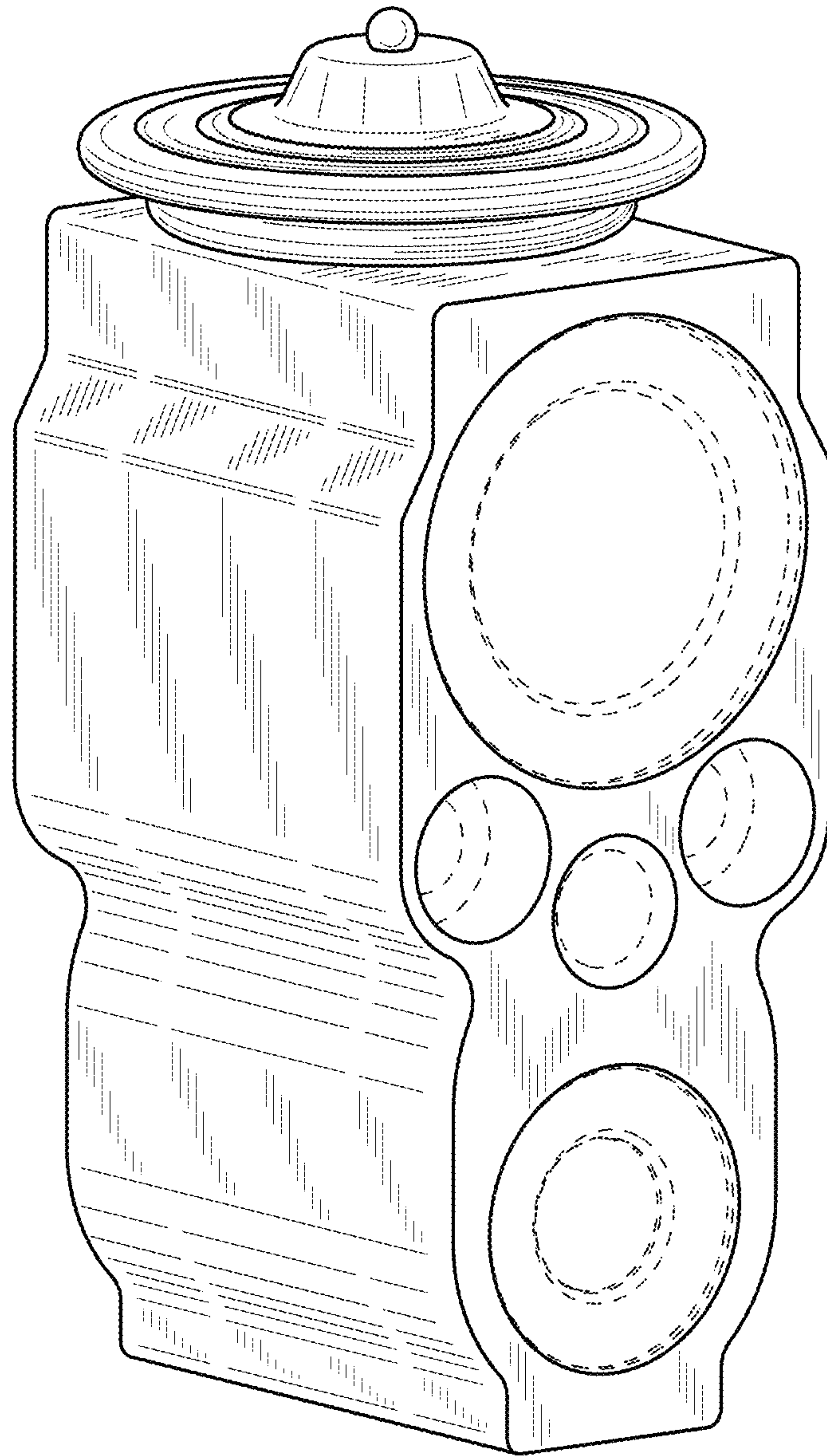


FIG. 2

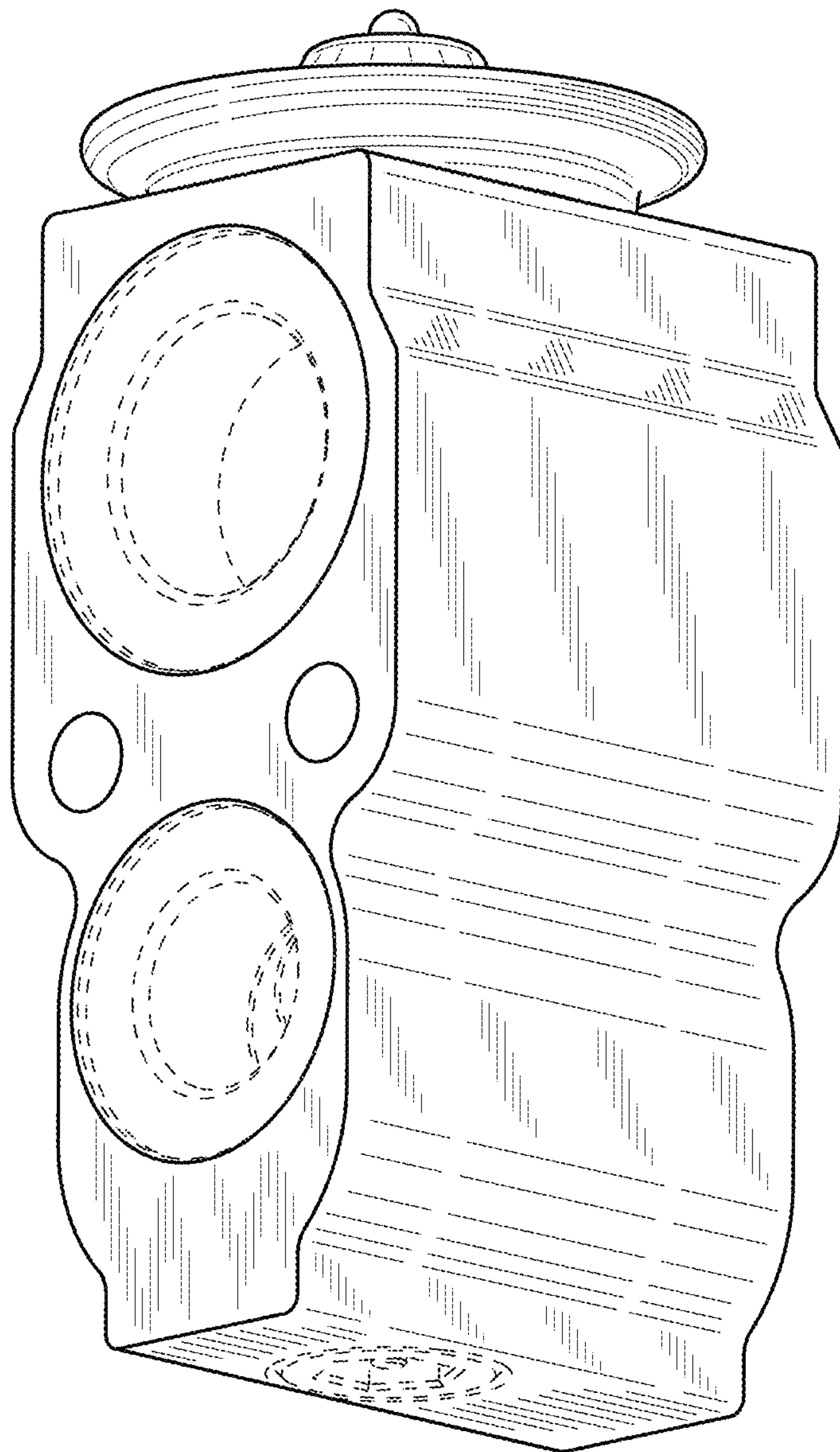


FIG. 3

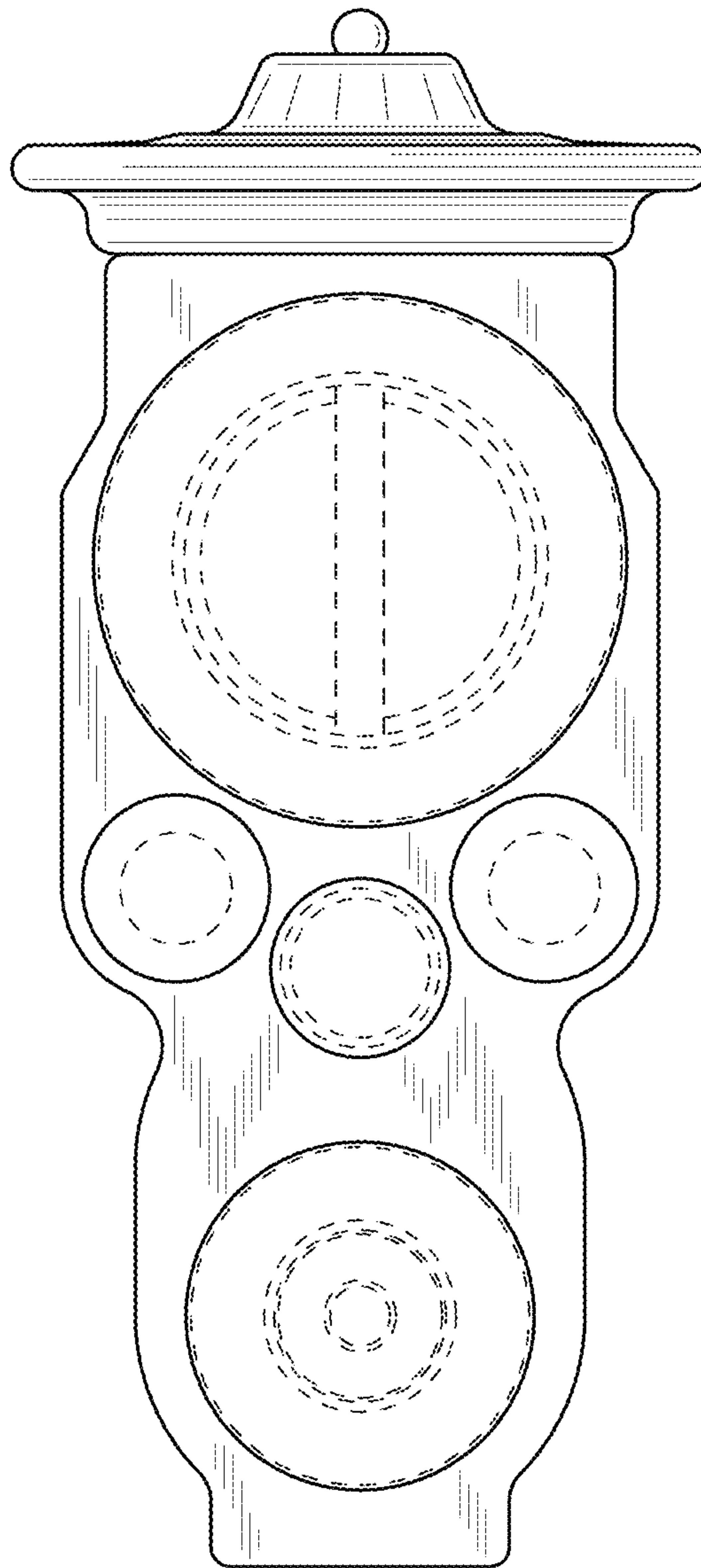


FIG. 4

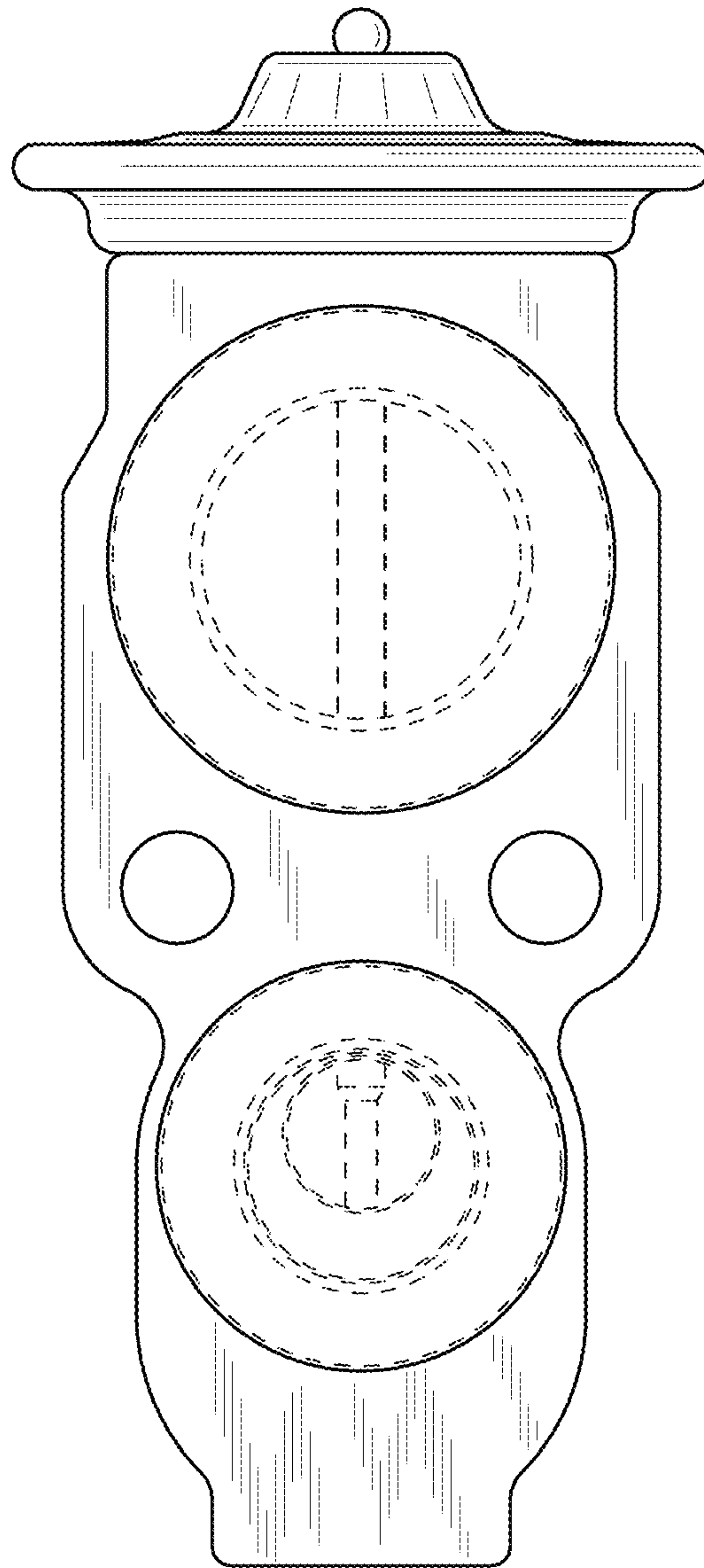


FIG. 5

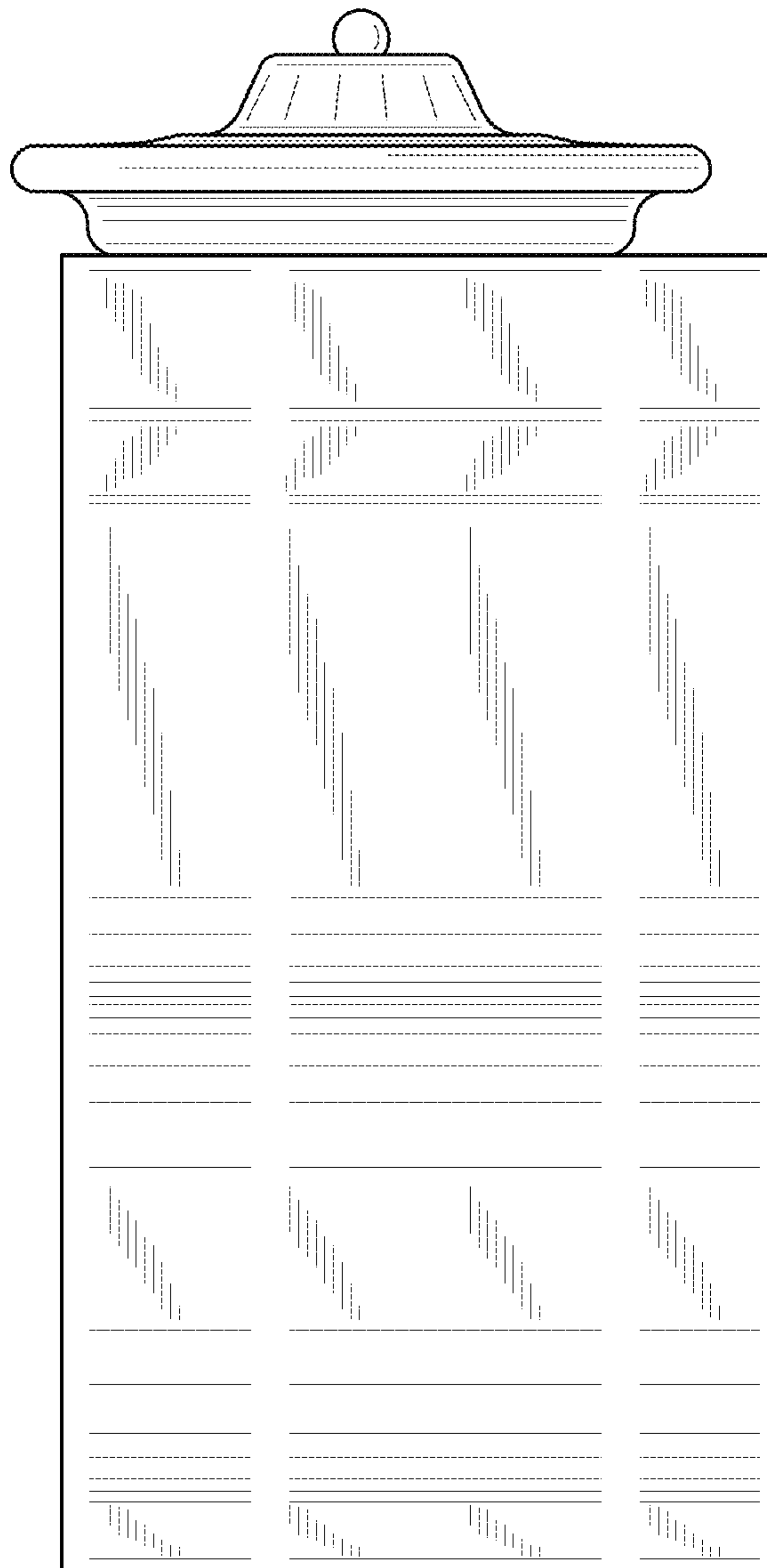


FIG. 6

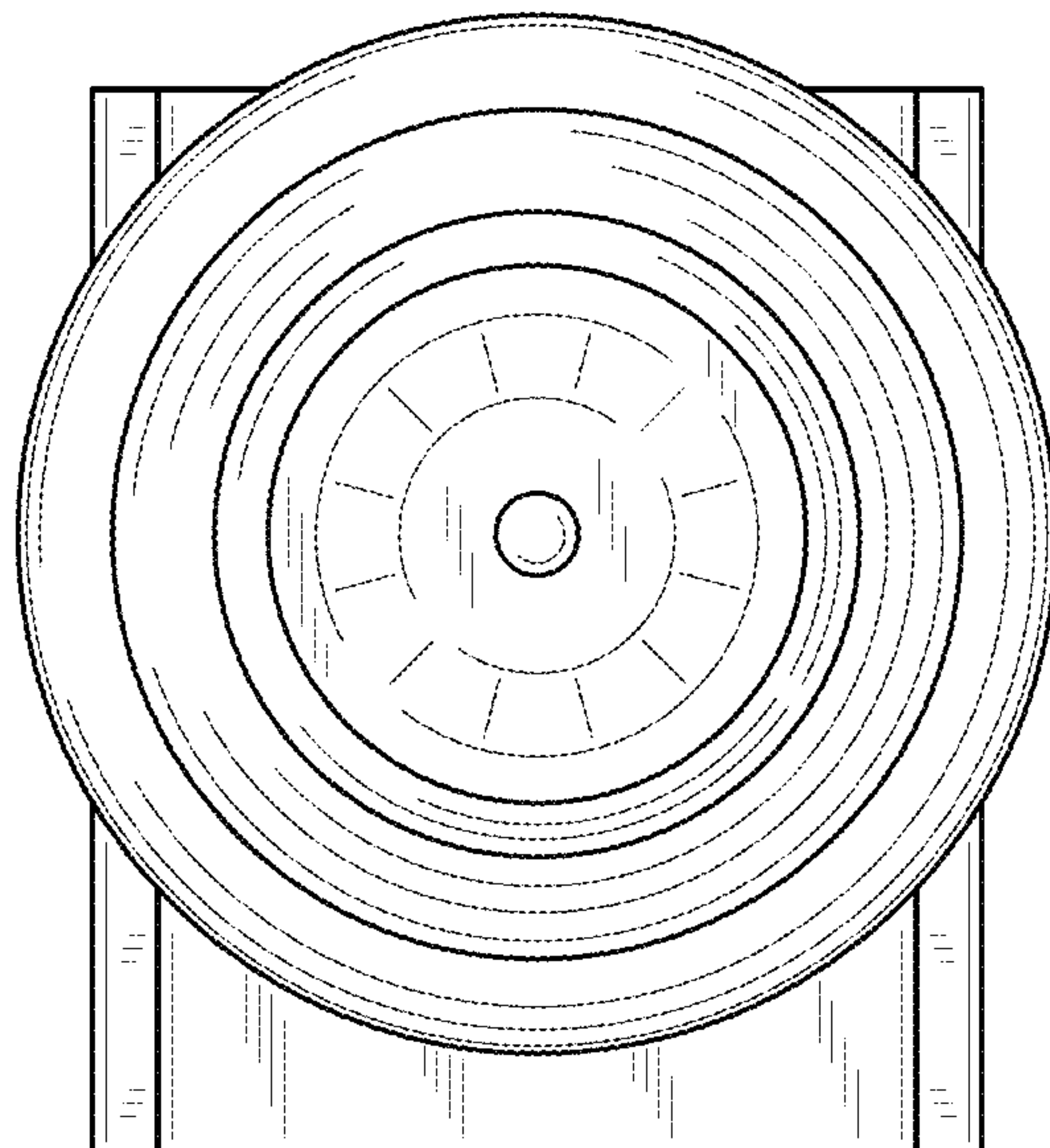


FIG. 7

