



US00D754817S

(12) **United States Design Patent**
Dille

(10) **Patent No.:** **US D754,817 S**
(45) **Date of Patent:** **** Apr. 26, 2016**

(54) **VALVE BODY**
(71) Applicant: **FORUM US, INC.**, Houston, TX (US)
(72) Inventor: **Mark C. Dille**, Houston, TX (US)
(73) Assignee: **FORUM US, INC.**, Houston, TX (US)
(**) Term: **14 Years**
(21) Appl. No.: **29/520,531**
(22) Filed: **Mar. 16, 2015**
(51) **LOC (10) Cl.** **23-01**
(52) **U.S. Cl.**
USPC **D23/233**
(58) **Field of Classification Search**
USPC D23/233-250; 251/282, 332, 333, 357;
137/516.29
CPC F16K 1/34; F16K 1/46; F16K 1/38
See application file for complete search history.

8,292,260 B1 * 10/2012 Gilstad F16K 1/36
251/120
8,496,224 B1 * 7/2013 Gilstad F04B 53/1022
137/329.04
8,567,754 B1 * 10/2013 Gilstad F04B 53/1022
137/516.29
8,708,306 B2 * 4/2014 Gilstad F16K 1/36
137/516.29
8,720,857 B2 * 5/2014 Gilstad F16K 25/005
137/329.04
8,905,376 B2 * 12/2014 Gilstad F04B 53/001
137/528
2013/0263932 A1 10/2013 Baxter et al.
2014/0070127 A1 3/2014 Blume
2014/0083534 A1 3/2014 Blume
2014/0264134 A1 9/2014 Butler et al.

* cited by examiner

Primary Examiner — Cynthia Ramirez
Assistant Examiner — Gino Colan
(74) *Attorney, Agent, or Firm* — Patterson & Sheridan, LLP

(57) **CLAIM**
The ornamental design for a valve body, as shown and described.

(56) **References Cited**

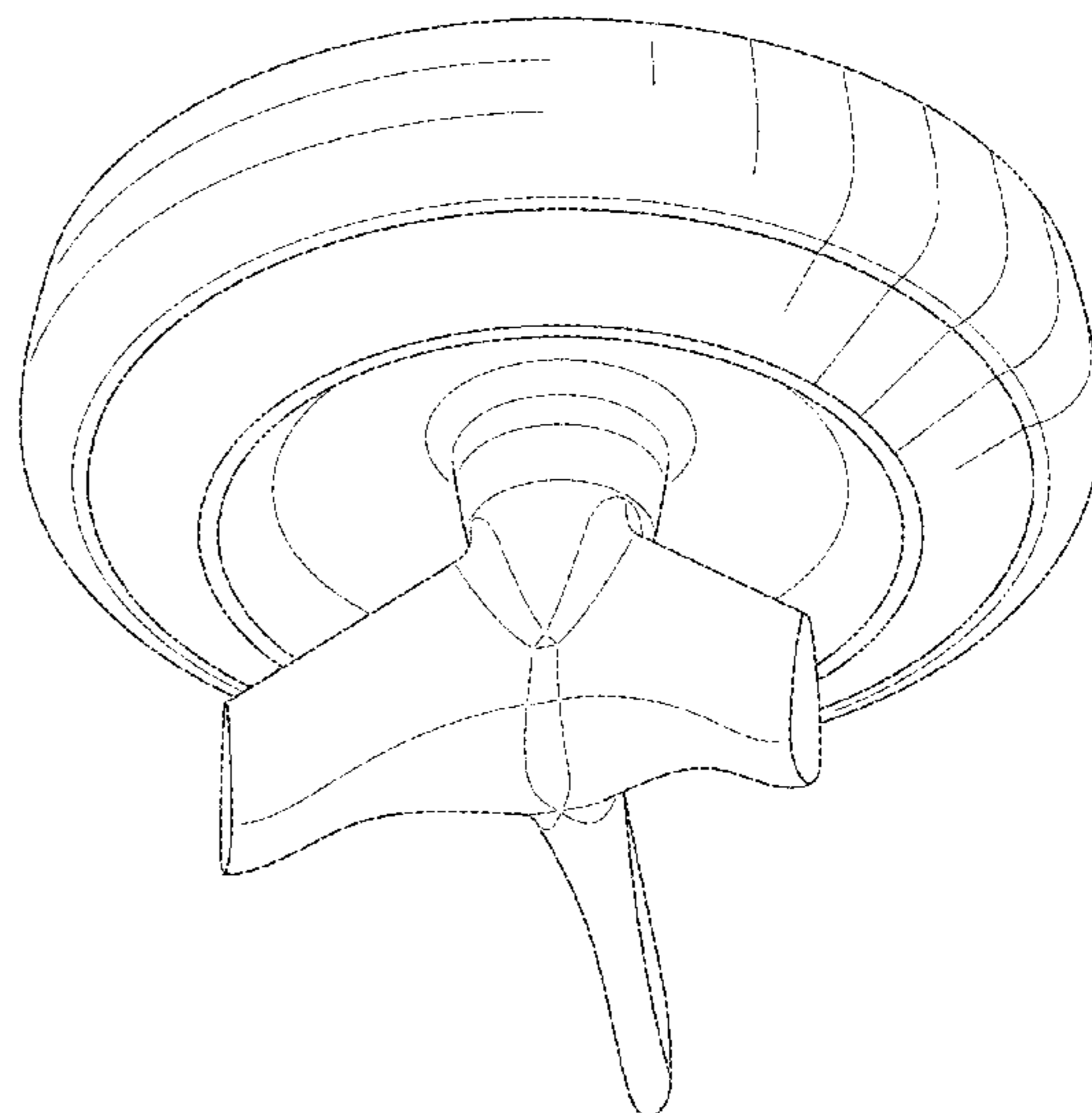
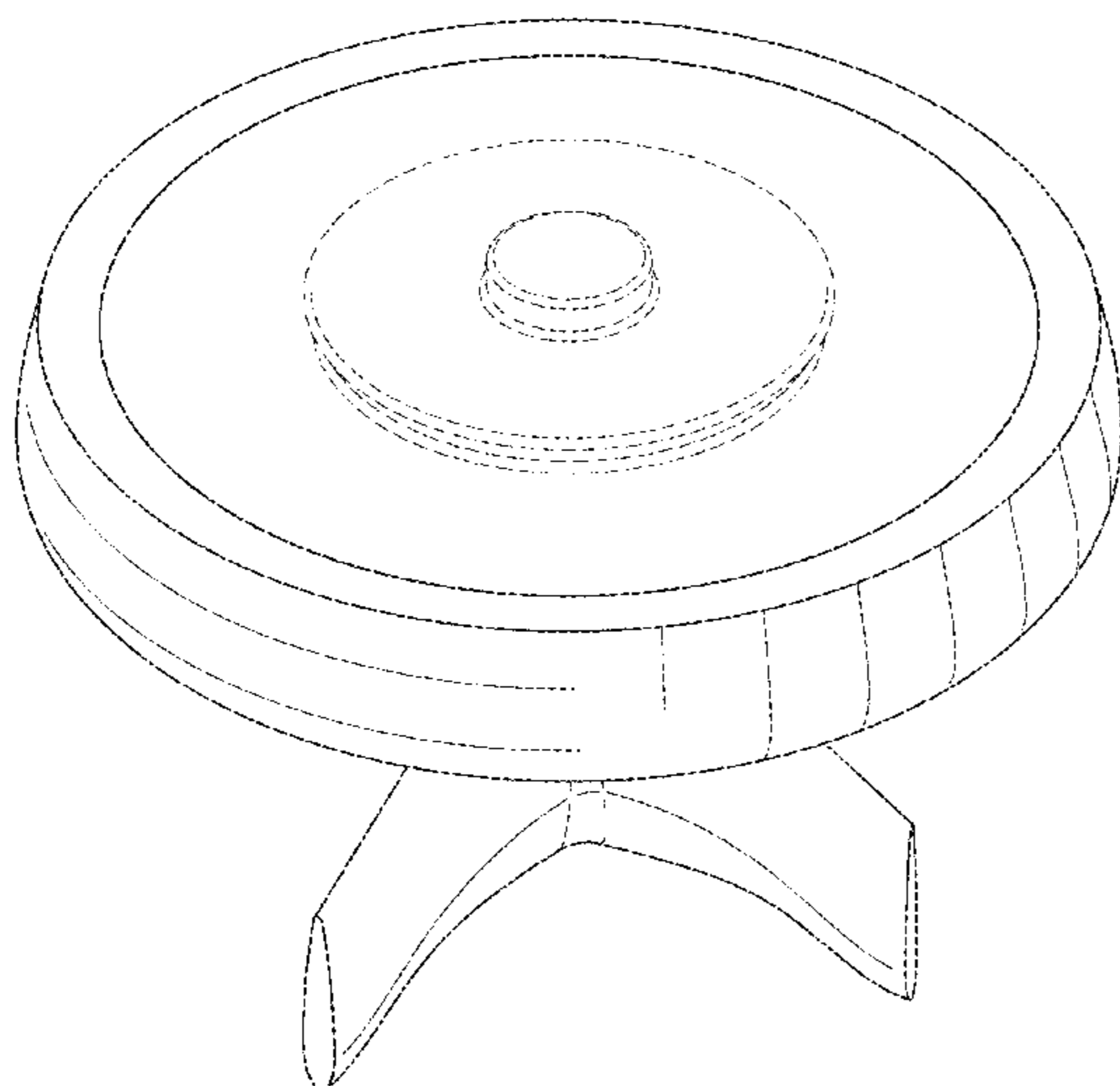
U.S. PATENT DOCUMENTS

2,521,314 A * 9/1950 Therolf F04B 53/1027
251/332
5,062,450 A * 11/1991 Bailey E21B 33/13
137/516.29
5,249,600 A * 10/1993 Blume F04B 53/1087
137/516.29
5,345,965 A * 9/1994 Blume F04B 53/1027
137/516.29
7,222,837 B1 5/2007 Blume
7,513,483 B1 * 4/2009 Blume F16K 1/34
137/516.29
7,591,450 B1 9/2009 Blume
7,641,175 B1 1/2010 Blume
8,141,849 B1 3/2012 Blume
8,267,371 B1 * 9/2012 Gilstad F16K 1/36
251/120

DESCRIPTION

FIG. 1 is a first perspective view of a valve body showing my new design;
FIG. 2 is a second perspective view thereof;
FIG. 3 is a top plan view thereof;
FIG. 4 is a bottom plan view thereof;
FIG. 5 is front elevational view thereof;
FIG. 6 is a left side elevational view thereof;
FIG. 7 is a rear elevational view thereof; and,
FIG. 8 is a right side elevational view thereof.
The broken lines in the drawings are included for the purpose of illustrating portions of the valve body and form no part of the claimed design.

1 Claim, 8 Drawing Sheets



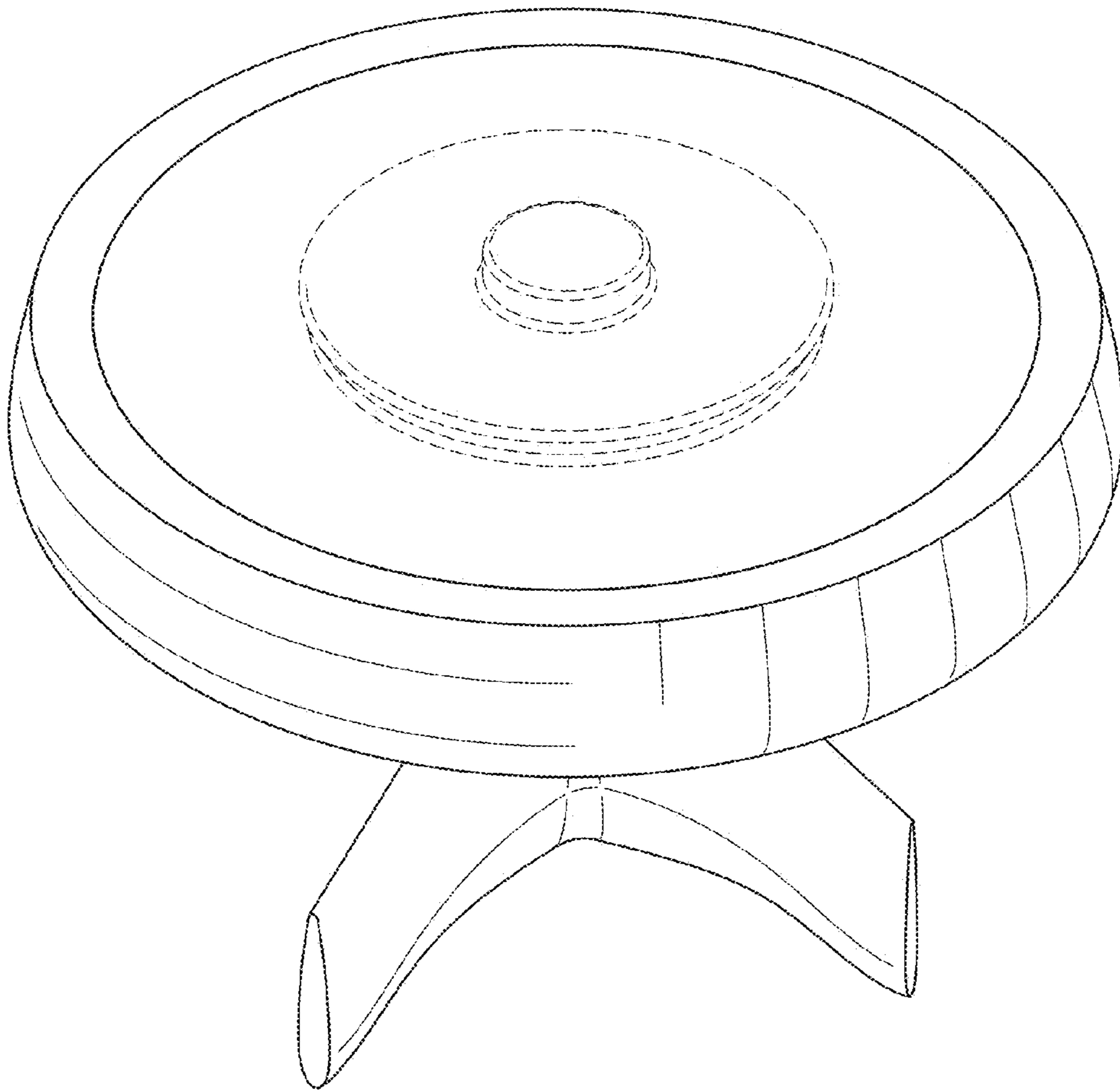


Fig. 1

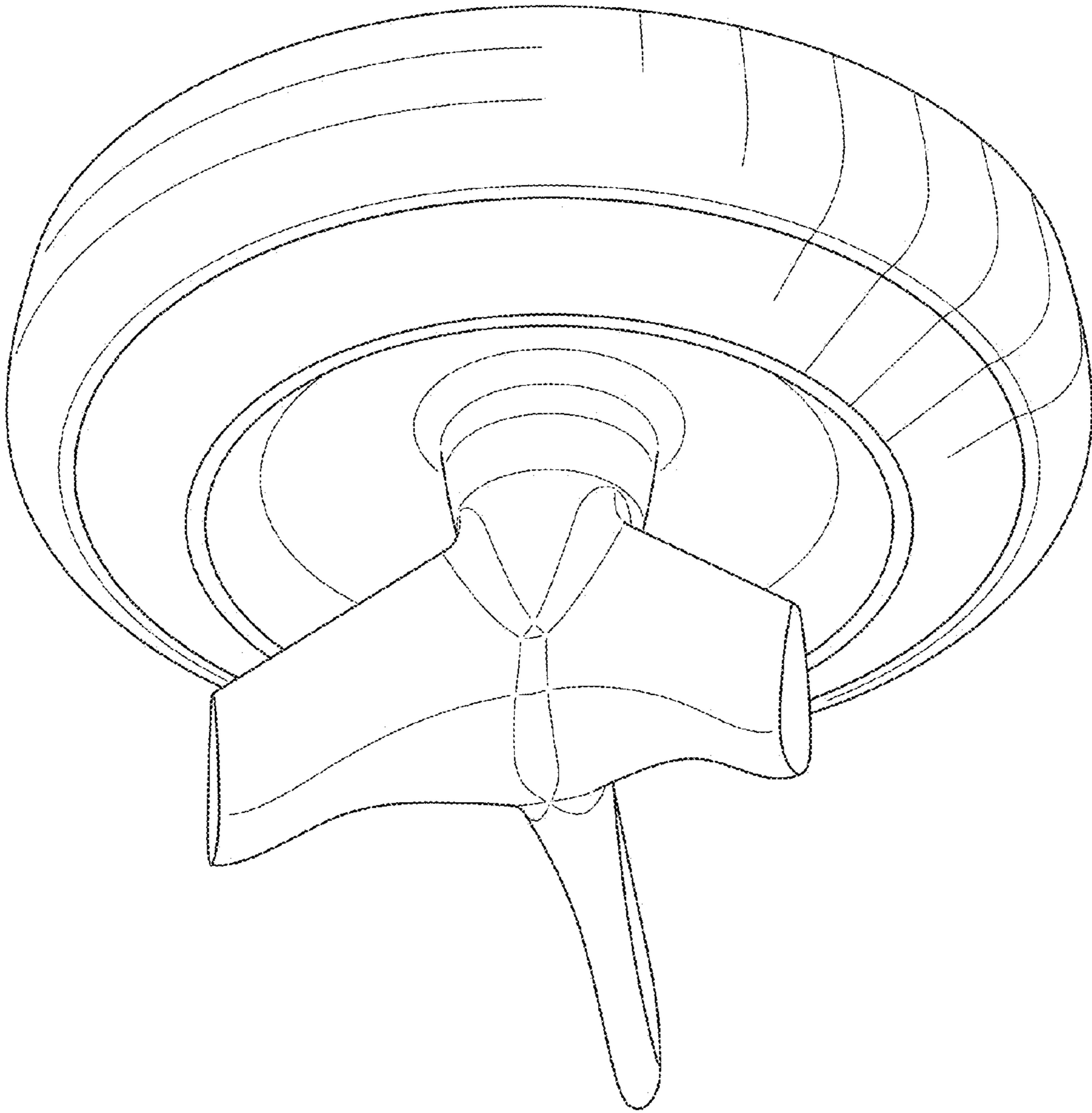


Fig. 2

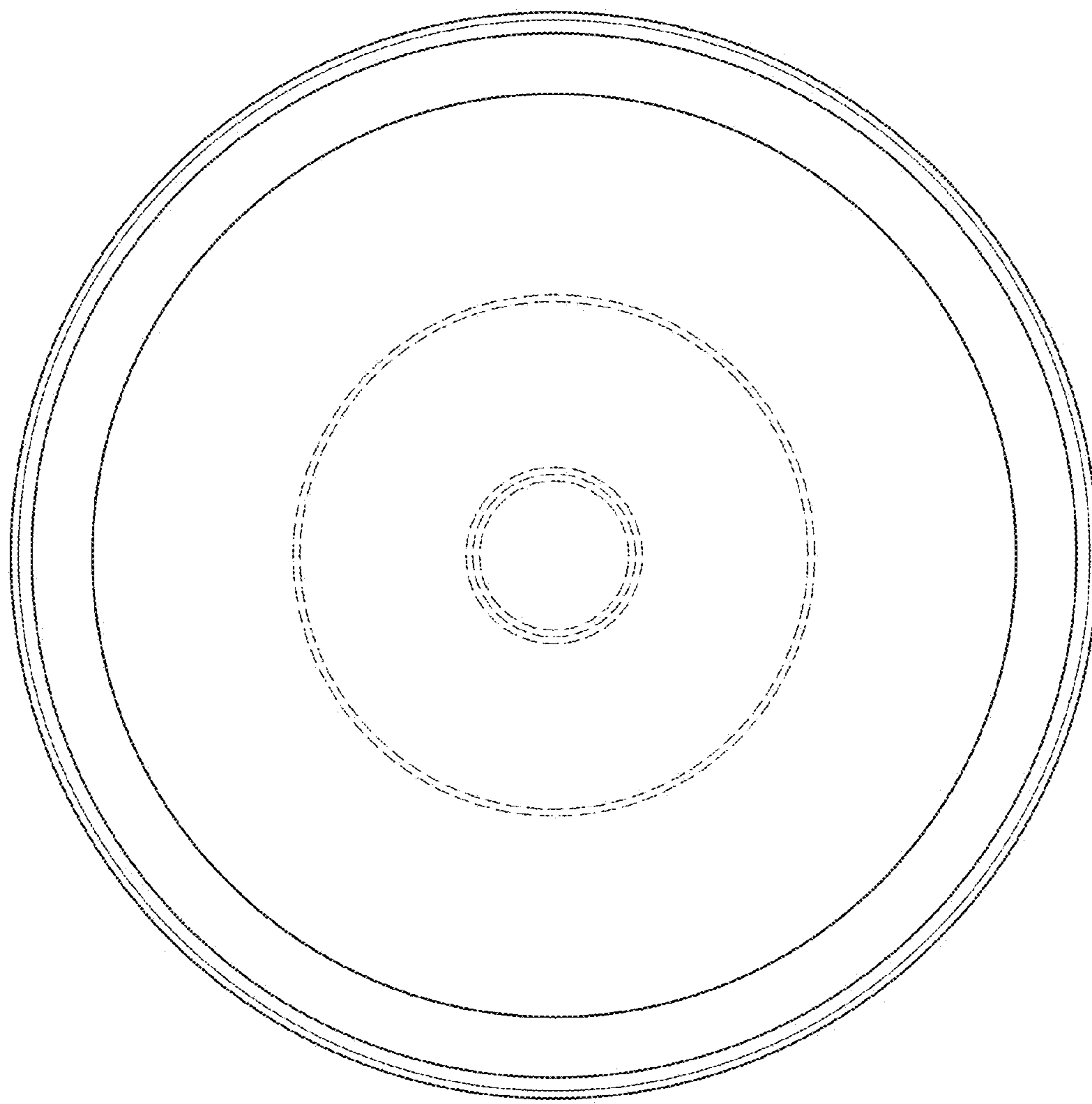


Fig. 3

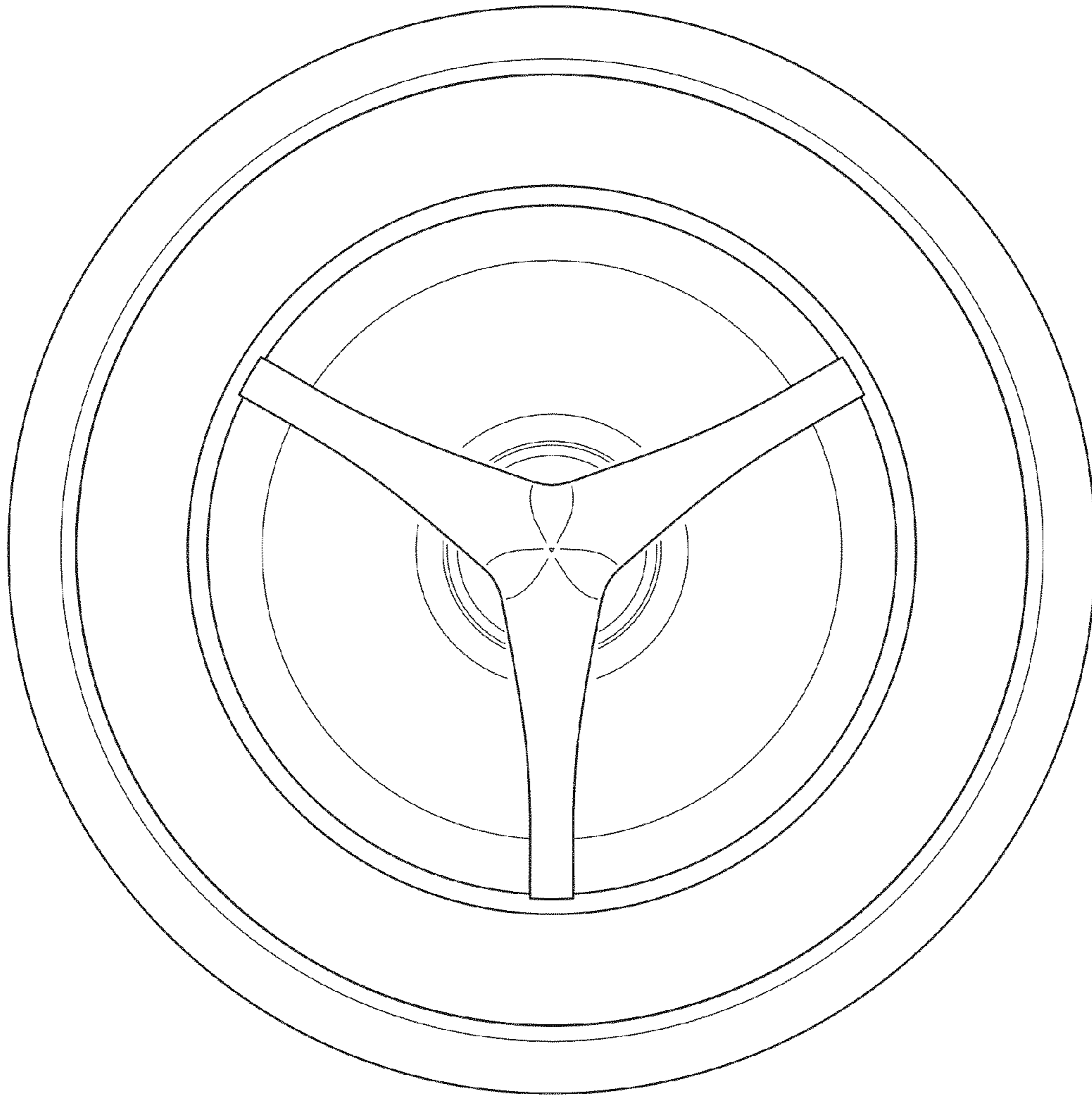


Fig. 4

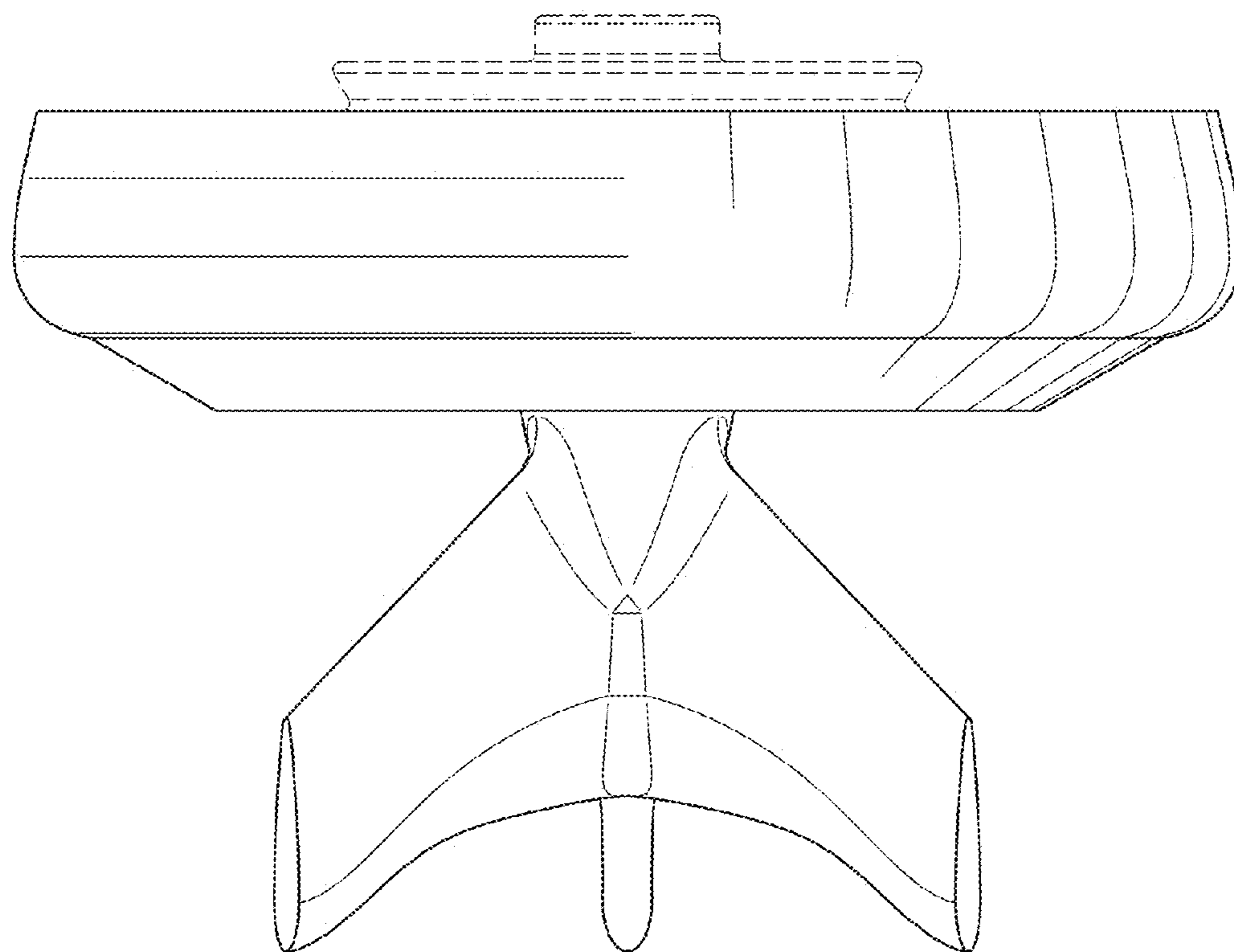


Fig. 5

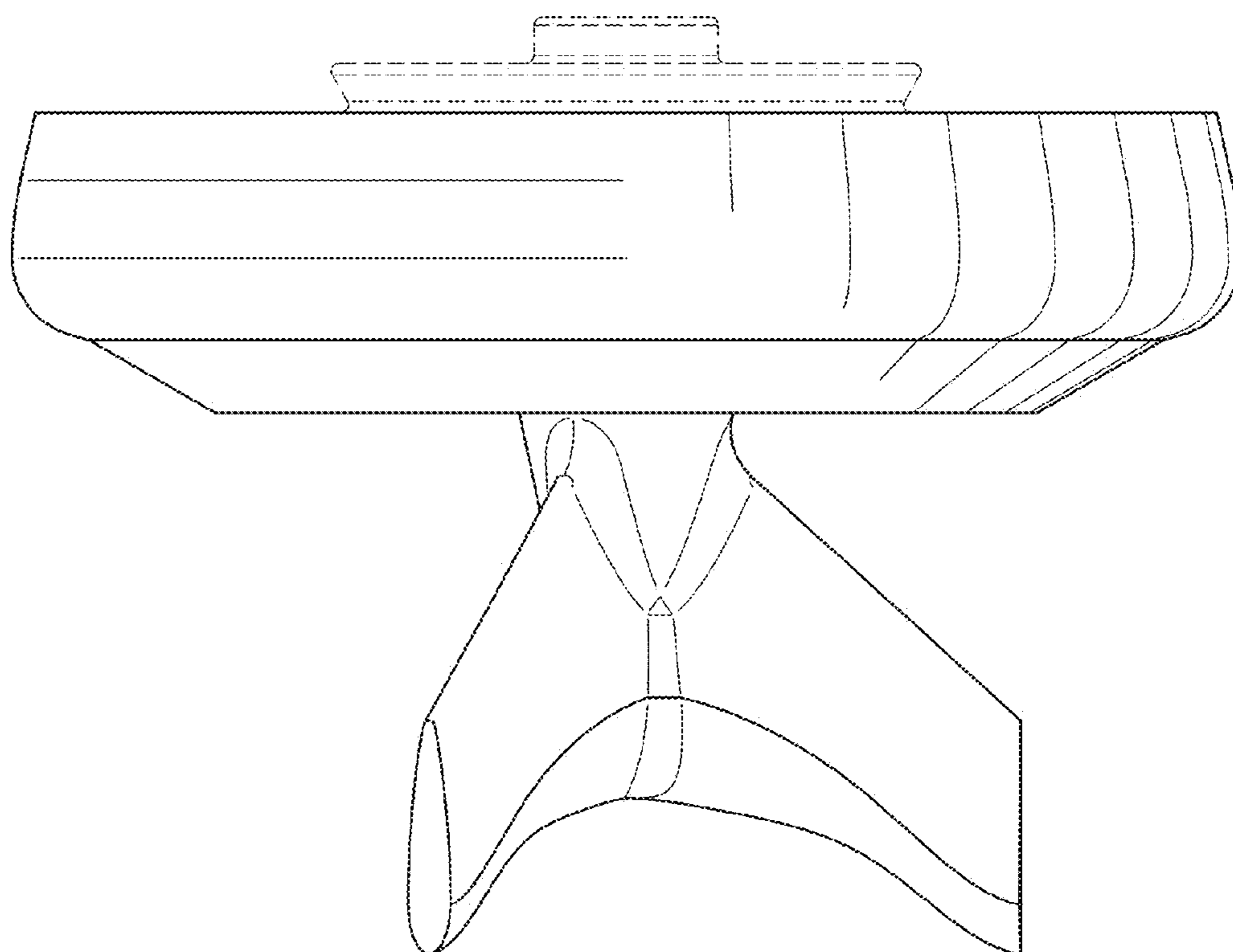


Fig. 6

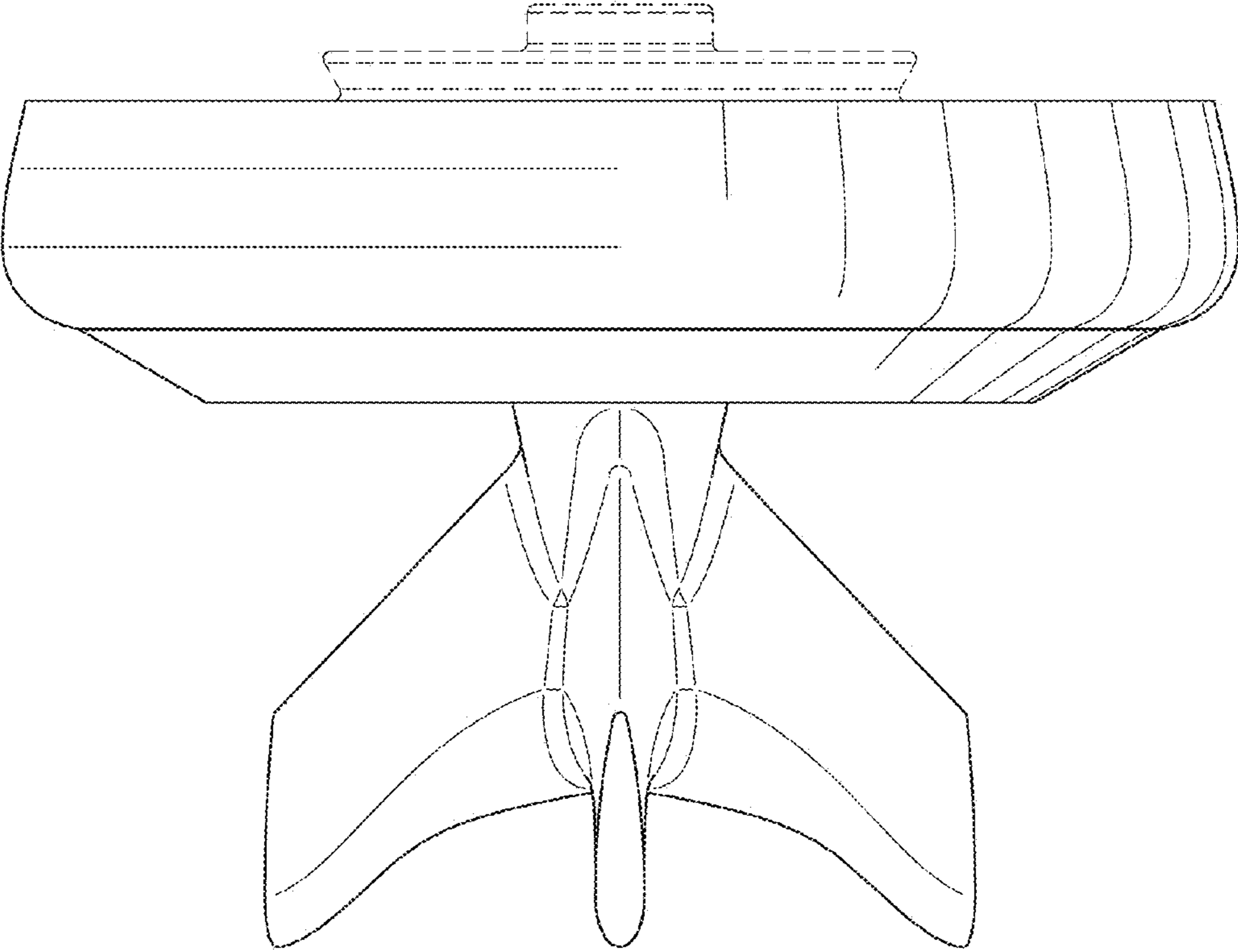


Fig. 7

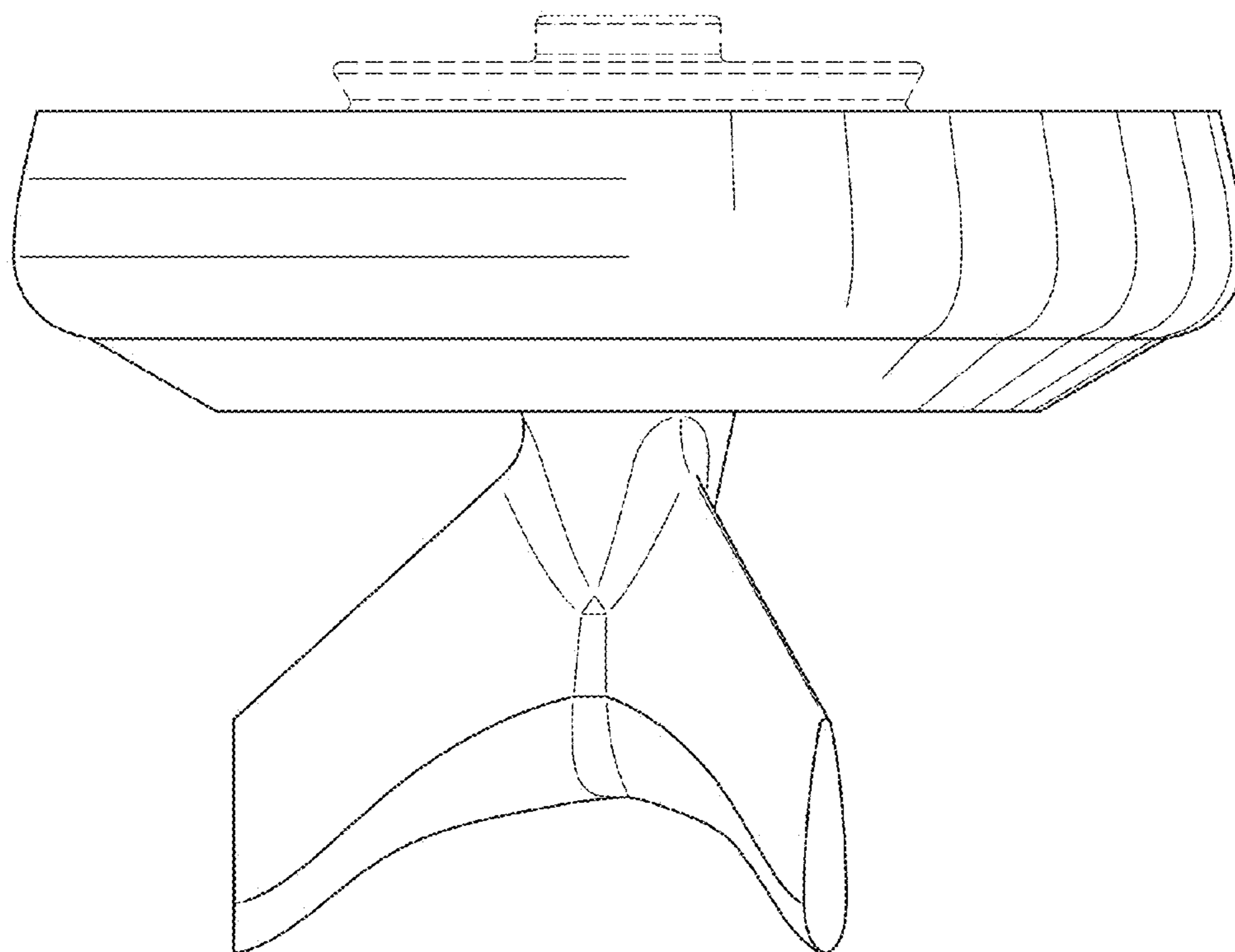


Fig. 8