



US00D754814S

(12) **United States Design Patent**
Warden et al.

(10) **Patent No.:** **US D754,814 S**
(45) **Date of Patent:** **** Apr. 26, 2016**

(54) **DISPENSER**

(71) Applicant: **Henkel AG & Co. KGaA**, Duessedlorf
(DE)

(72) Inventors: **Bodo Warden**, Moenchengladbach
(DE); **Katja Gerhards**, Duesseldorf
(DE)

(73) Assignee: **Henkel AG & Co. KGaA**, Duesseldorf
(DE)

(**) Term: **14 Years**

(21) Appl. No.: **29/490,385**

(22) Filed: **May 9, 2014**

(30) **Foreign Application Priority Data**

Nov. 12, 2013 (EP) 002343608

(51) **LOC (10) Cl.** **23-01**

(52) **U.S. Cl.**
USPC **D23/208**

(58) **Field of Classification Search**
USPC D23/208; 4/223, 225.1, 227.1, 231, 232
CPC E03D 9/02; E03D 9/032
See application file for complete search history.

(56) **References Cited**

U.S. PATENT DOCUMENTS

D308,409 S * 6/1990 Hoyt D23/208
6,178,564 B1 * 1/2001 Leonard E03D 9/032
4/223

D476,056 S * 6/2003 Woolley D23/208
D508,549 S * 8/2005 Keramidas D23/208
7,114,199 B2 * 10/2006 Conway E03D 9/032
4/231
D540,907 S * 4/2007 Liu D23/208
D547,418 S * 7/2007 King D23/208
D558,855 S * 1/2008 Arora D23/208
D590,912 S * 4/2009 Woolman D23/208
D600,317 S * 9/2009 Enever D23/208
D613,369 S * 4/2010 Enever D23/208
D662,174 S * 6/2012 Reijnders D23/208
8,510,872 B2 * 8/2013 Muhlhausen E03D 9/005
239/310
D689,167 S * 9/2013 Gerhards D23/208

* cited by examiner

Primary Examiner — Robin V Webster

(74) *Attorney, Agent, or Firm* — Thomas G. Krivulka

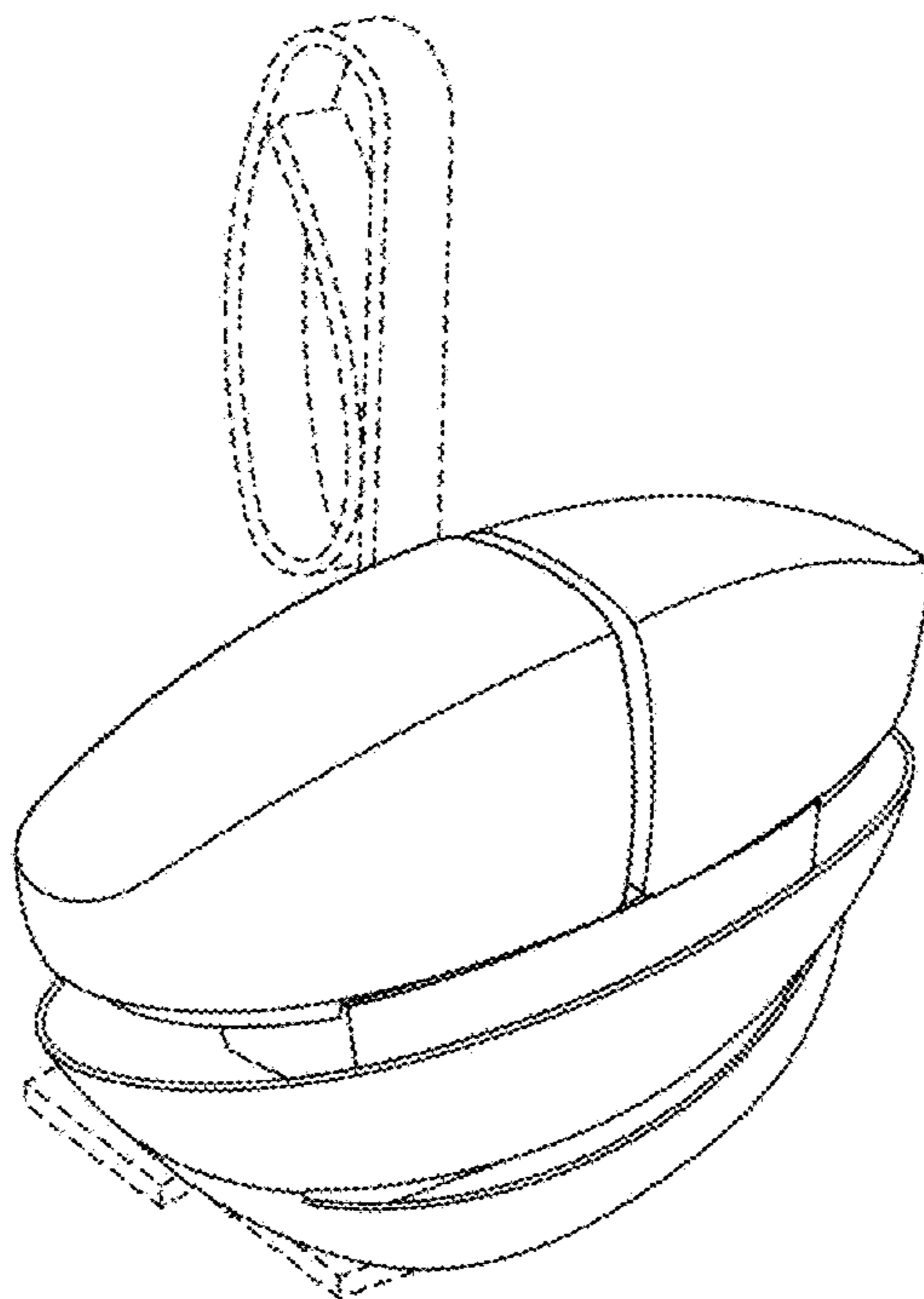
(57) **CLAIM**

The ornamental design for dispenser, as shown and described.

DESCRIPTION

FIG. 1 is a front perspective view of a dispenser embodying our new design;
FIG. 2 is a front side elevation view thereof;
FIG. 3 is a rear side elevation view thereof;
FIG. 4 is a left side elevation view thereof;
FIG. 5 is a right side elevation view thereof;
FIG. 6 is a top plan view thereof; and,
FIG. 7 is a bottom plan view thereof.
The broken line showing is included for the purpose of illustrating and forms no part of the claimed design.

1 Claim, 6 Drawing Sheets



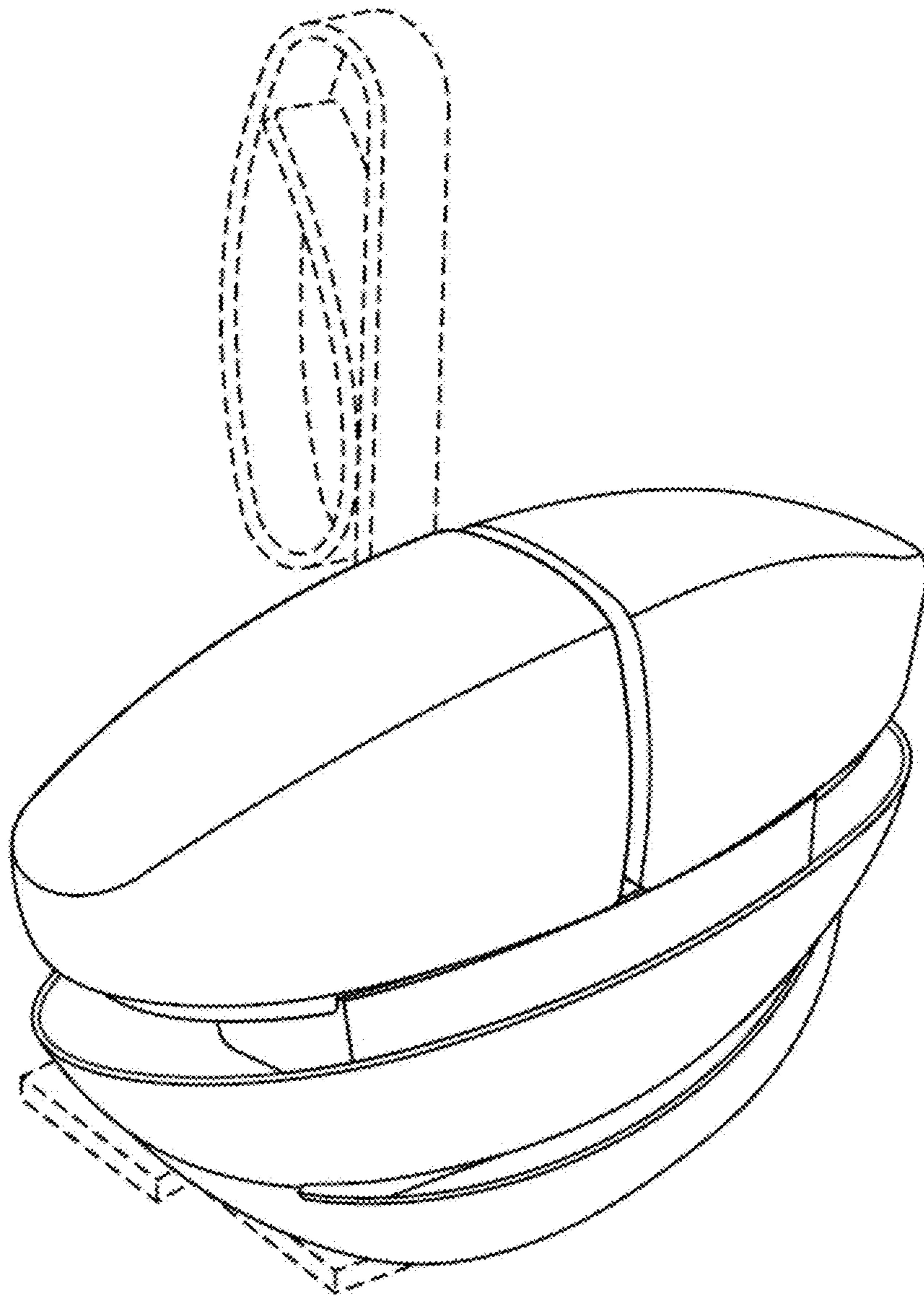


FIG. 1

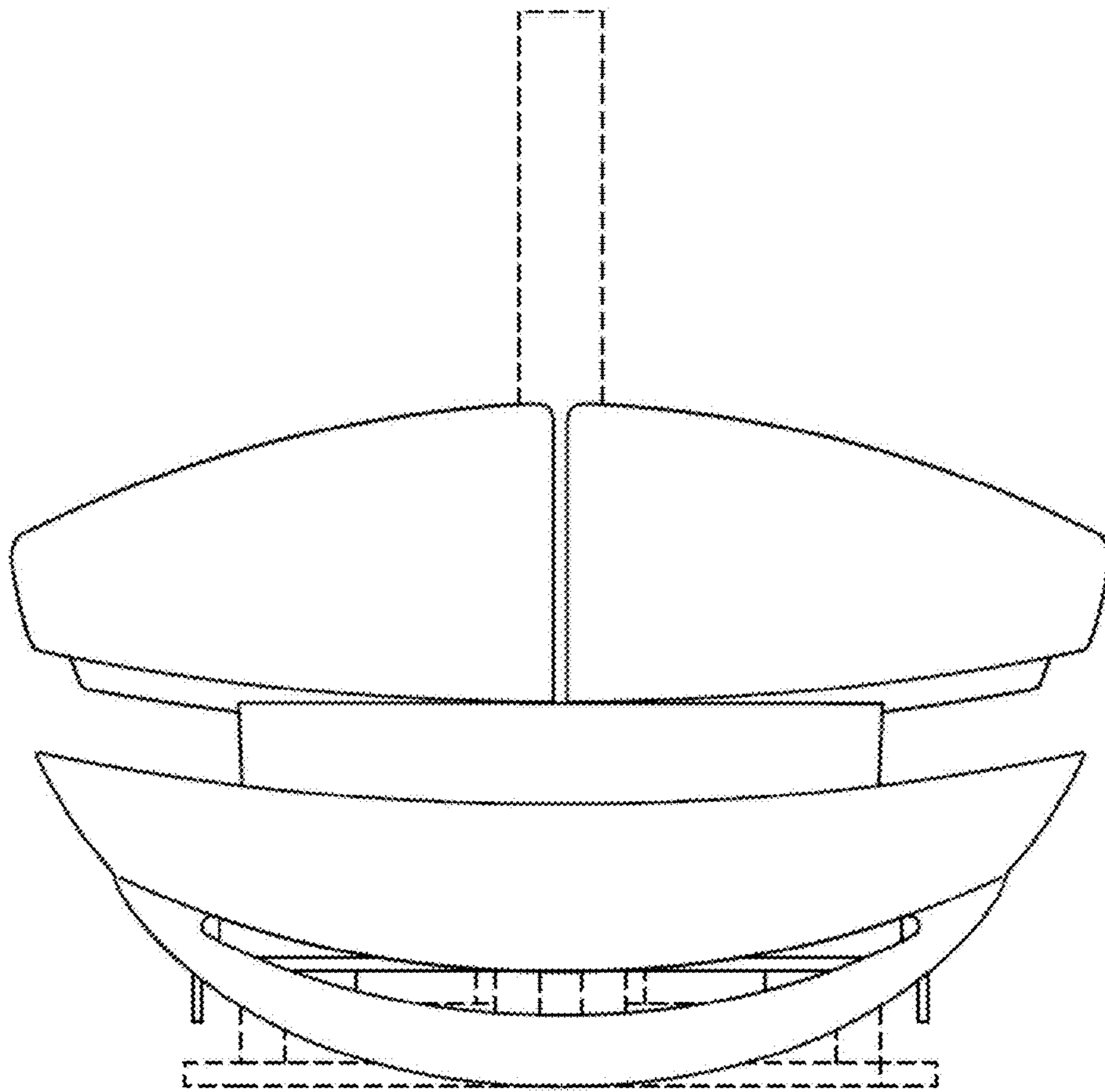


FIG. 2

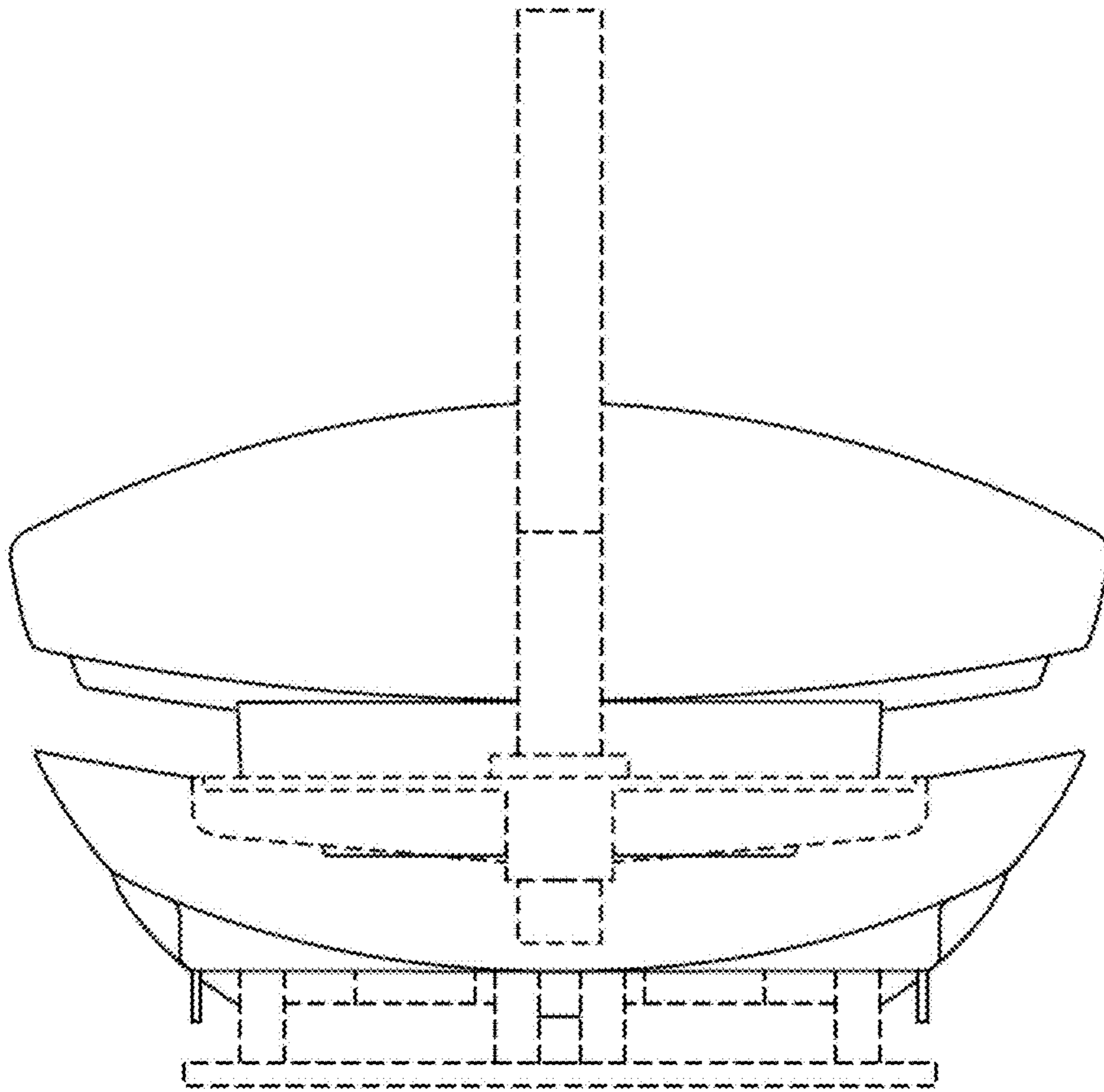


FIG. 3

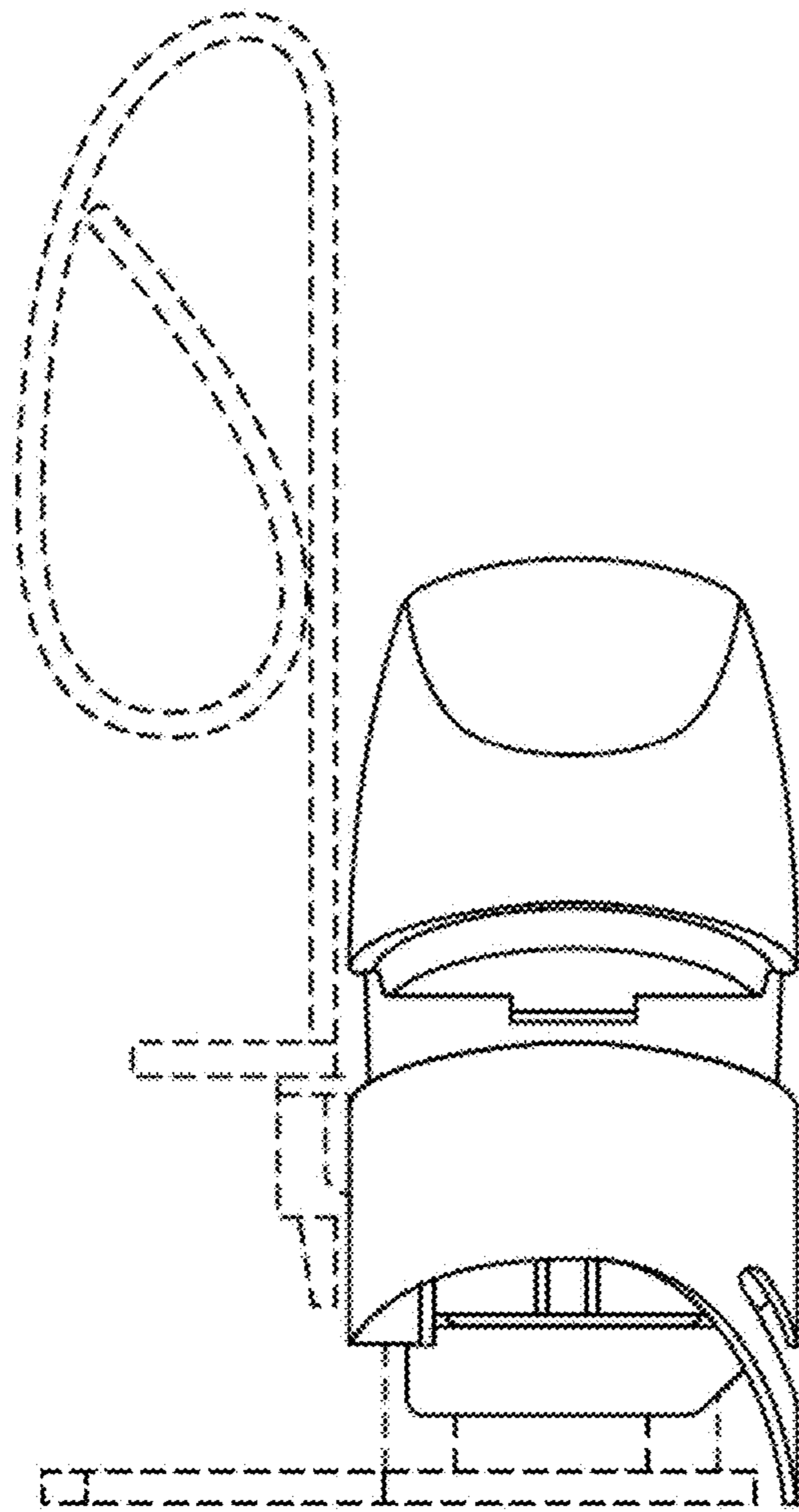


FIG. 4

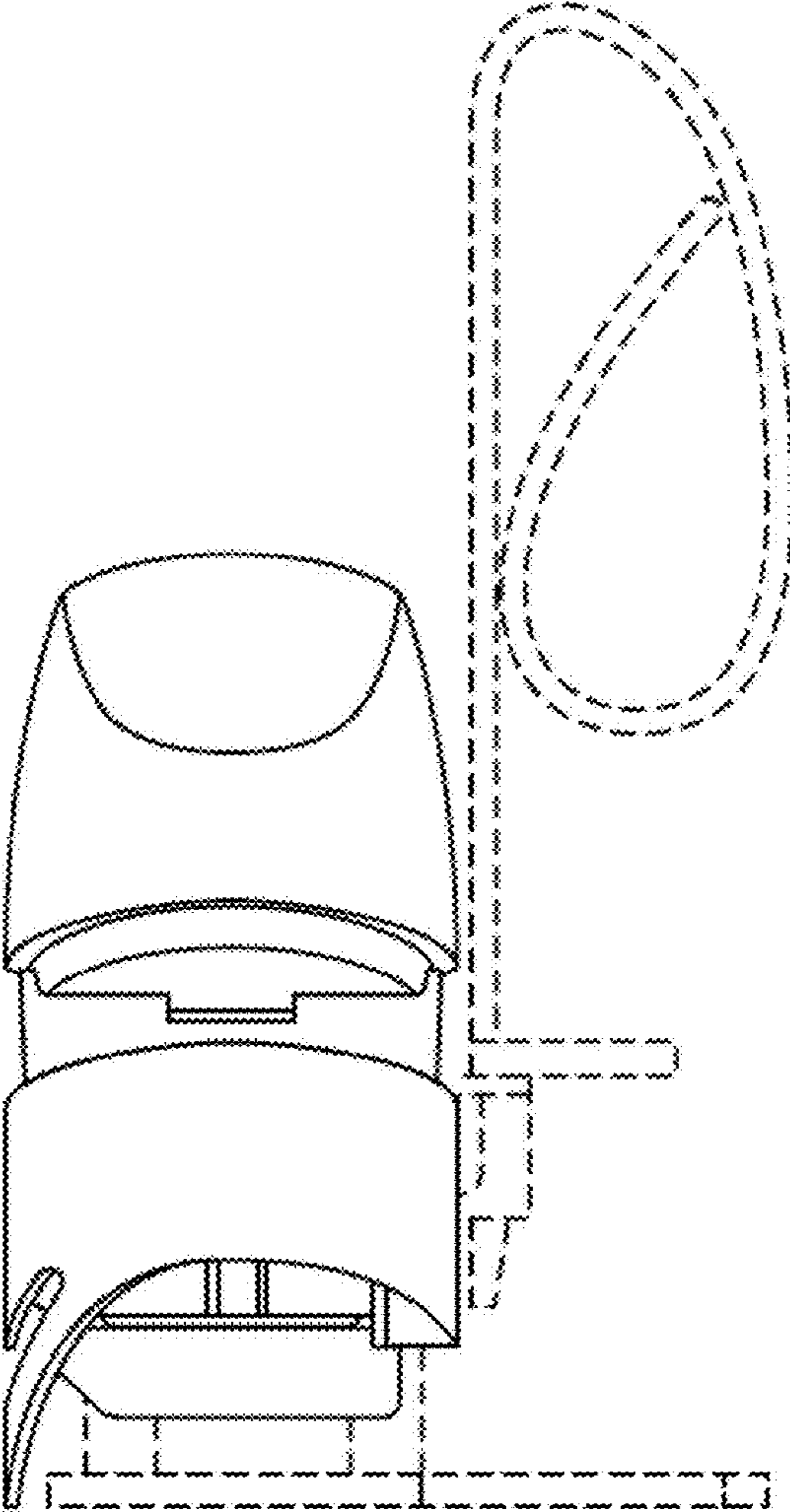


FIG. 5

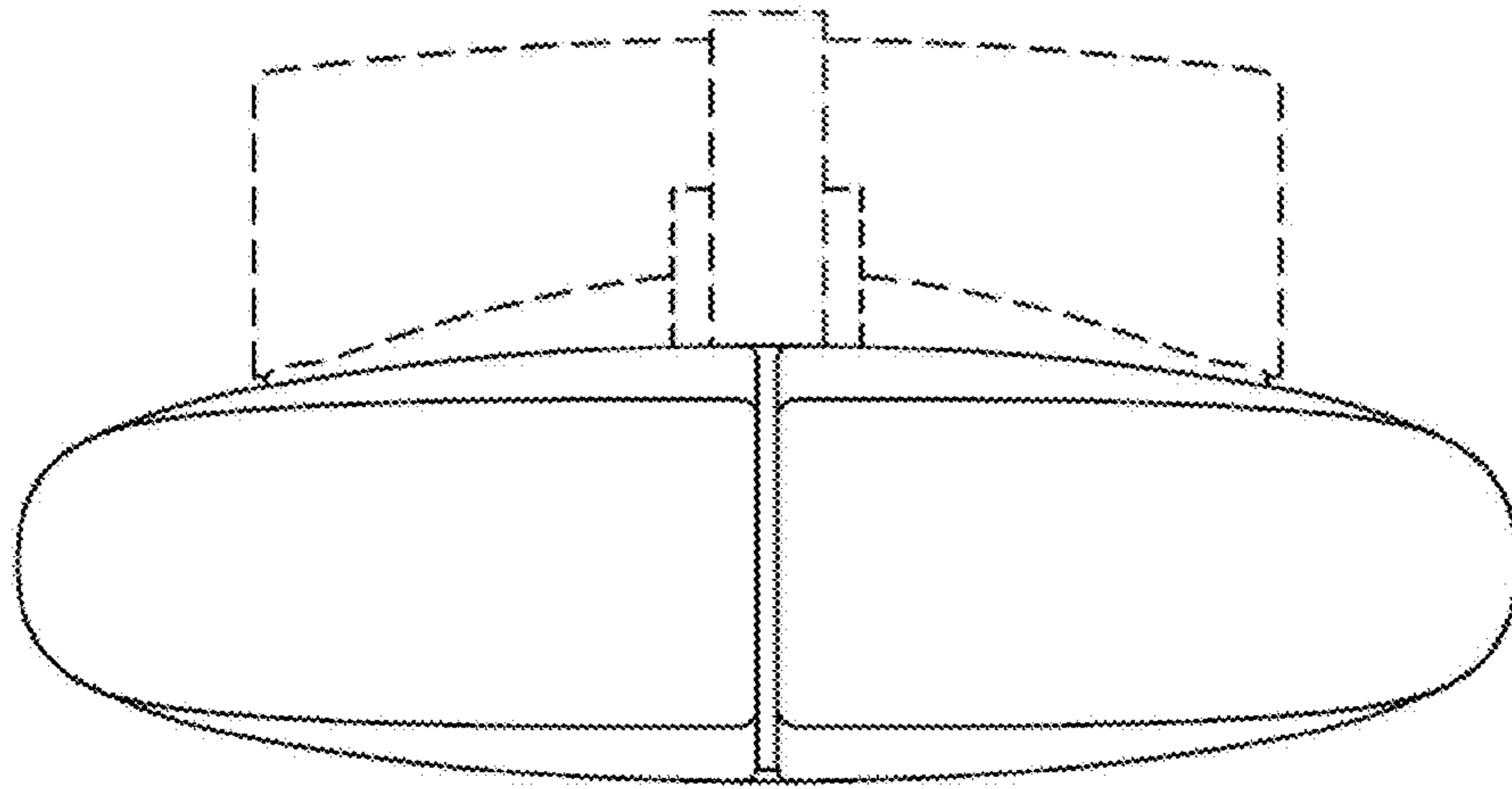


FIG. 6

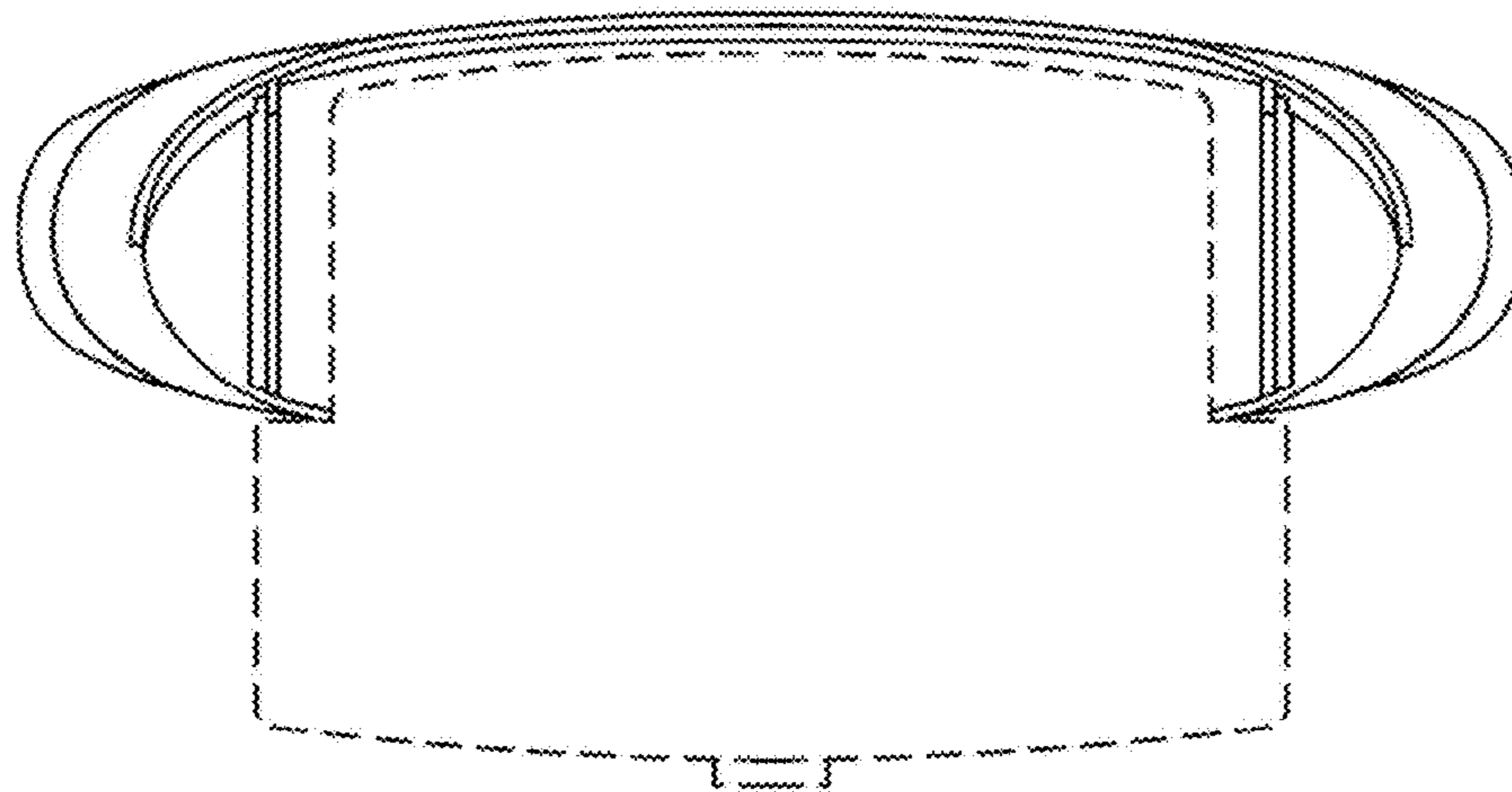


FIG. 7