

US00D754813S

(12) **United States Design Patent**  
**Kuepper et al.**

(10) **Patent No.:** **US D754,813 S**  
(45) **Date of Patent:** **\*\* Apr. 26, 2016**

(54) **MOBILE WATER PURIFIER SYSTEM**

(71) Applicants: **Theodore A. Kuepper**, Oxnard, CA  
(US); **Robert C. Lovo**, Somis, CA (US)

(72) Inventors: **Theodore A. Kuepper**, Oxnard, CA  
(US); **Robert C. Lovo**, Somis, CA (US)

(\*\*) Term: **14 Years**

(21) Appl. No.: **29/489,121**

(22) Filed: **May 5, 2014**

(51) **LOC (10) Cl.** ..... **23-01**

(52) **U.S. Cl.**  
USPC ..... **D23/207**

(58) **Field of Classification Search**  
USPC ..... D23/207, 209; 210/85, 87, 253, 266  
See application file for complete search history.

(56) **References Cited**

**U.S. PATENT DOCUMENTS**

5,972,216 A \* 10/1999 Acernese et al. .... 210/253  
6,258,265 B1 \* 7/2001 Jones ..... 210/202

D520,595 S \* 5/2006 Johnson et al. .... D23/207  
D521,593 S \* 5/2006 Mitsis ..... D23/207  
D621,903 S 8/2010 Acernese et al.  
D692,525 S 10/2013 Tseng  
2011/0215039 A1 9/2011 Acernese et al.  
2013/0032540 A1 2/2013 Acernese et al.

\* cited by examiner

*Primary Examiner* — Robin V Webster

(74) *Attorney, Agent, or Firm* — J. E. McTaggart

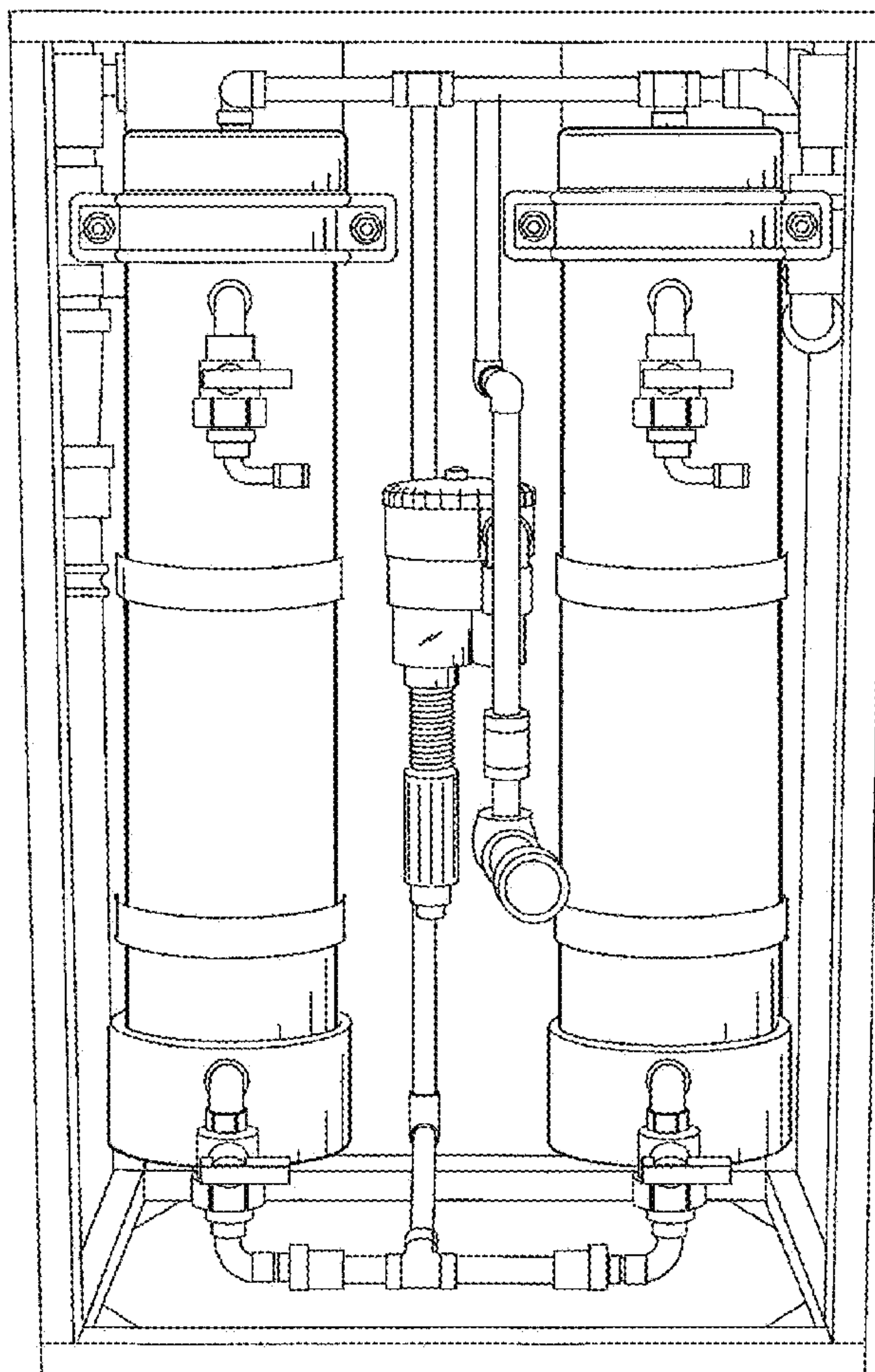
(57) **CLAIM**

The ornamental design for a mobile water purifier system, as shown and described.

**DESCRIPTION**

FIG. 1 is a perspective front view of a mobile water purifier system showing our new design.  
FIG. 2 is a front elevational view thereof.  
FIG. 3 is a right side view thereof.  
FIG. 4 is a bottom plan view thereof.  
FIG. 5 is a rear elevational view thereof.  
FIG. 6 is a left side view thereof; and,  
FIG. 7 is a top plan view thereof.

**1 Claim, 3 Drawing Sheets**



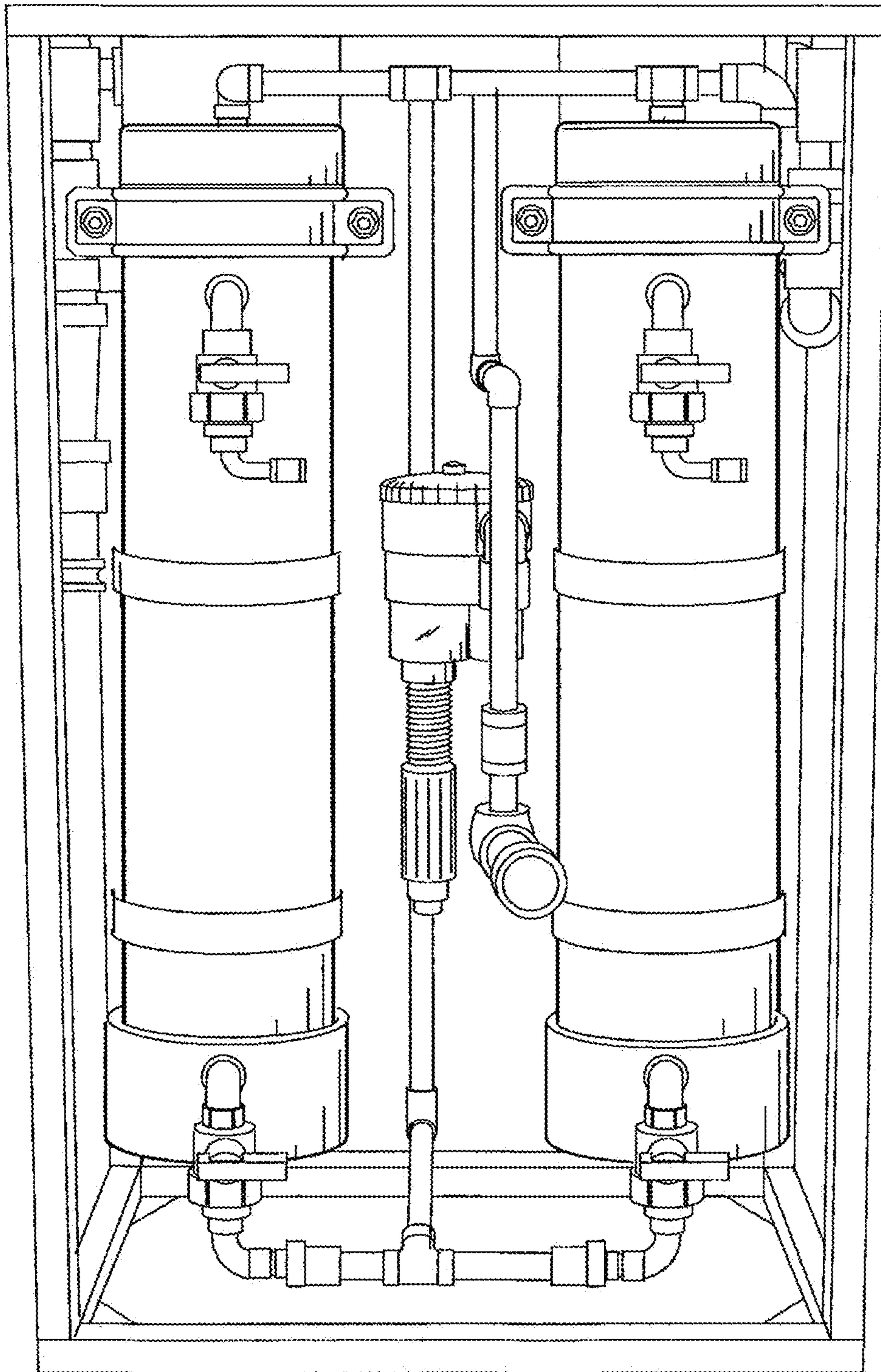


FIG. 1



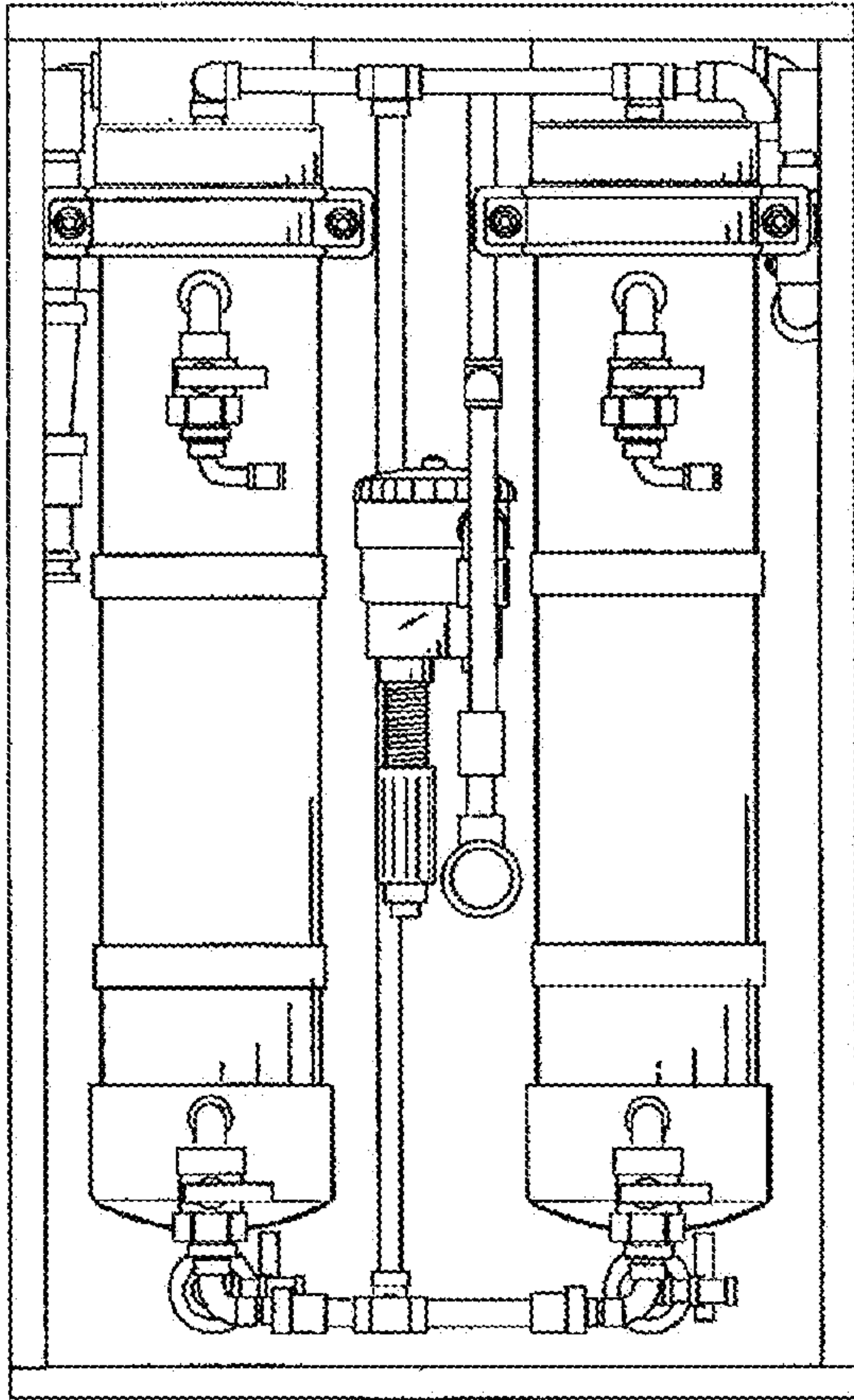


FIG. 2

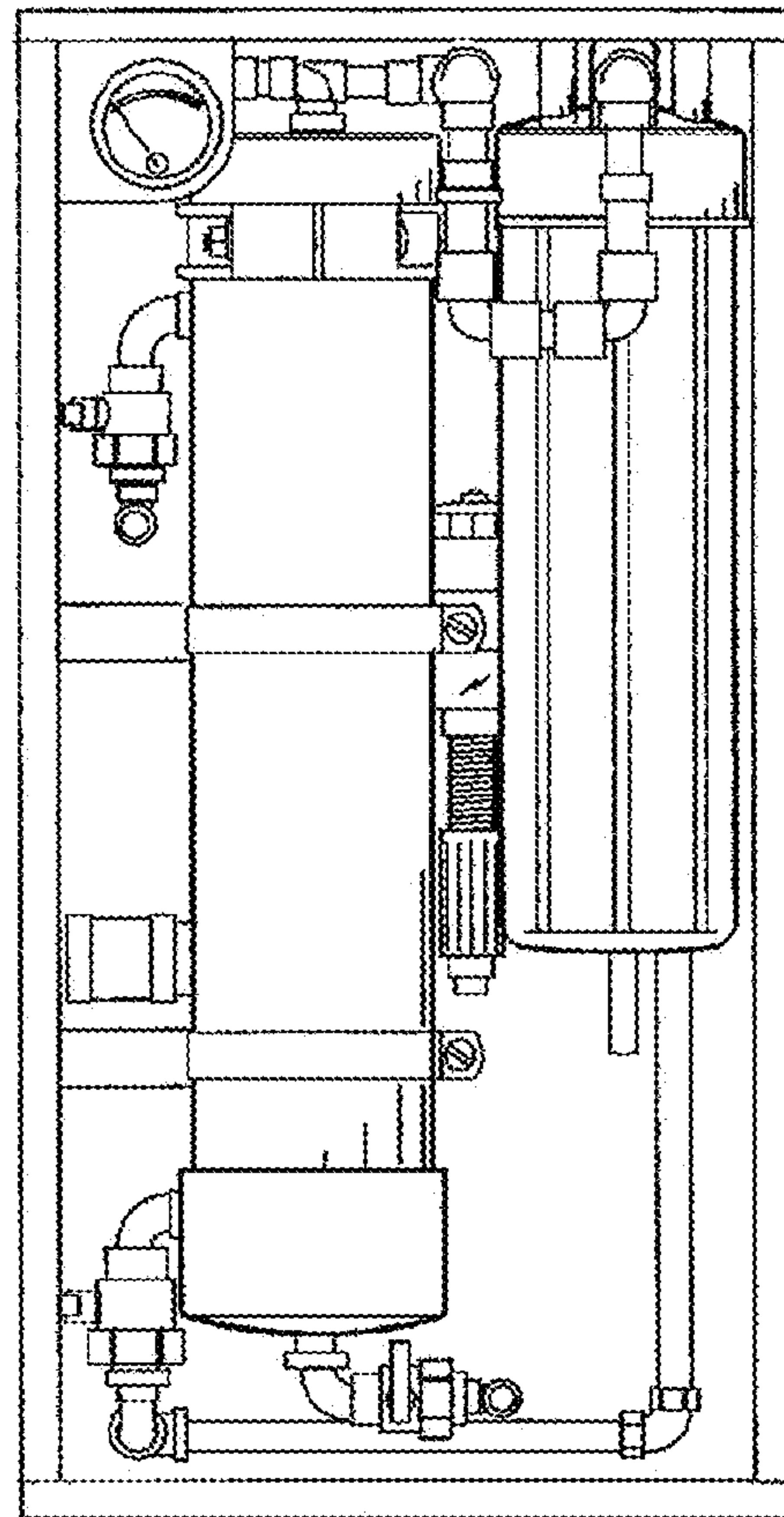


FIG. 3

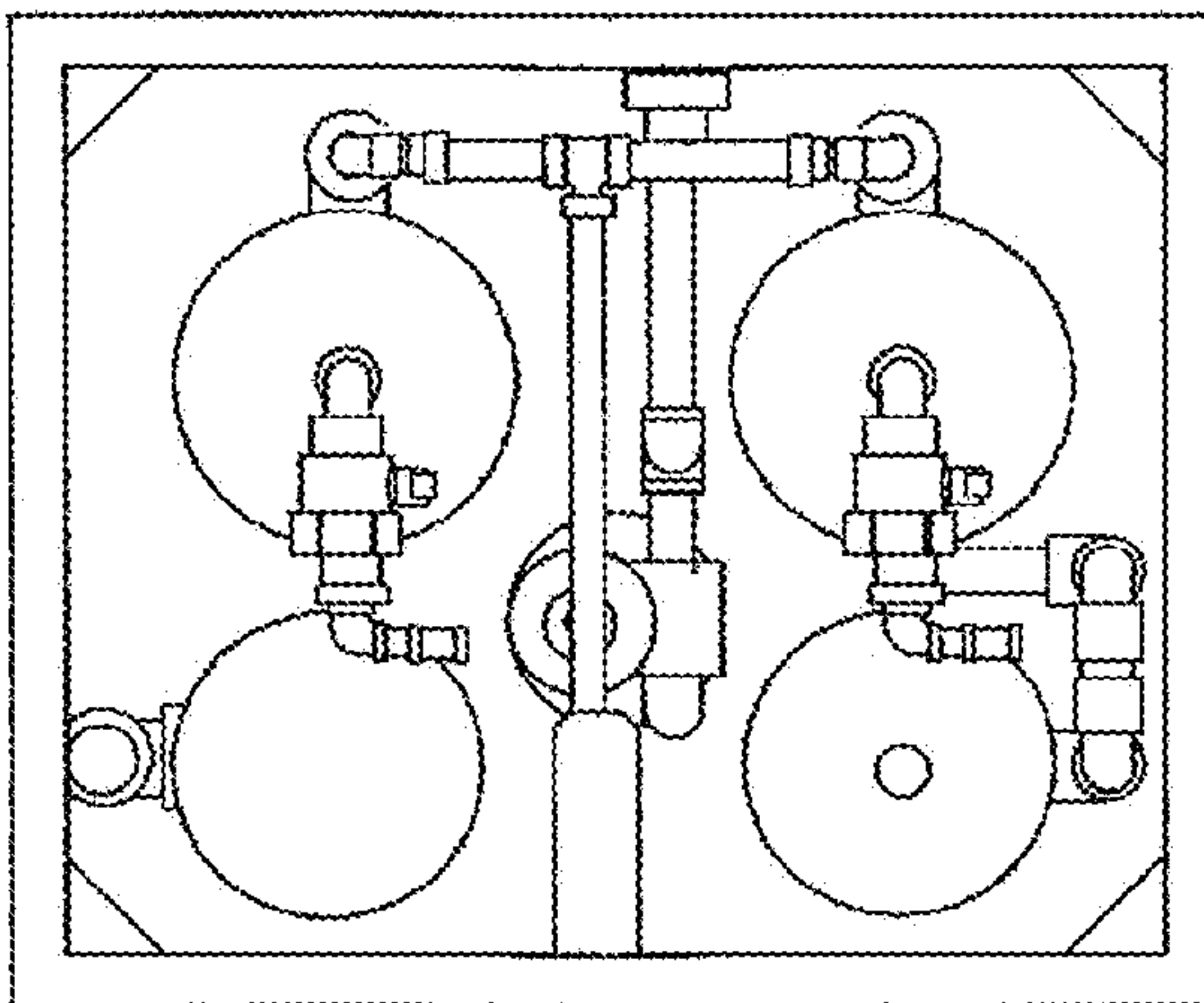


FIG. 4

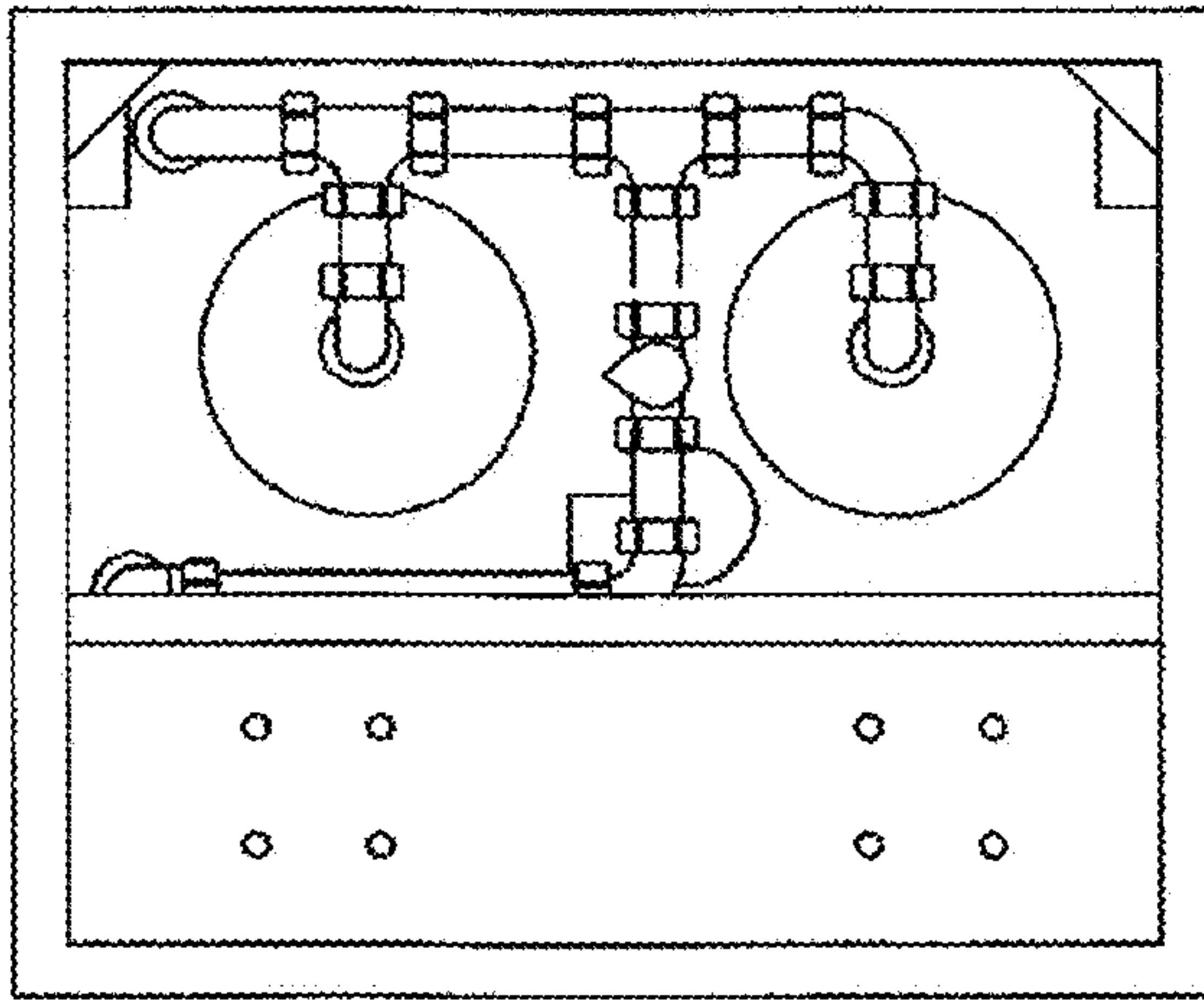


FIG. 7

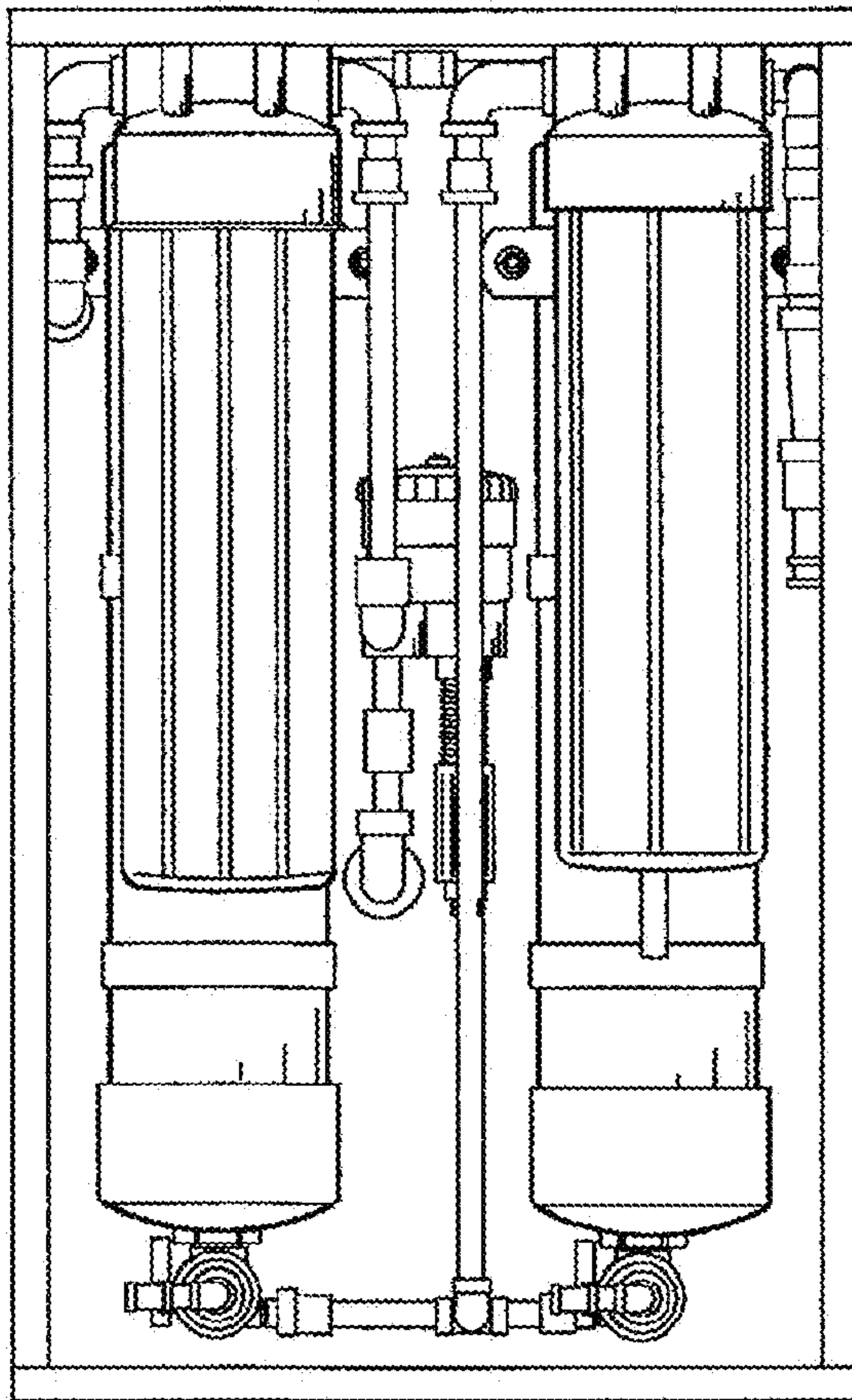


FIG. 5

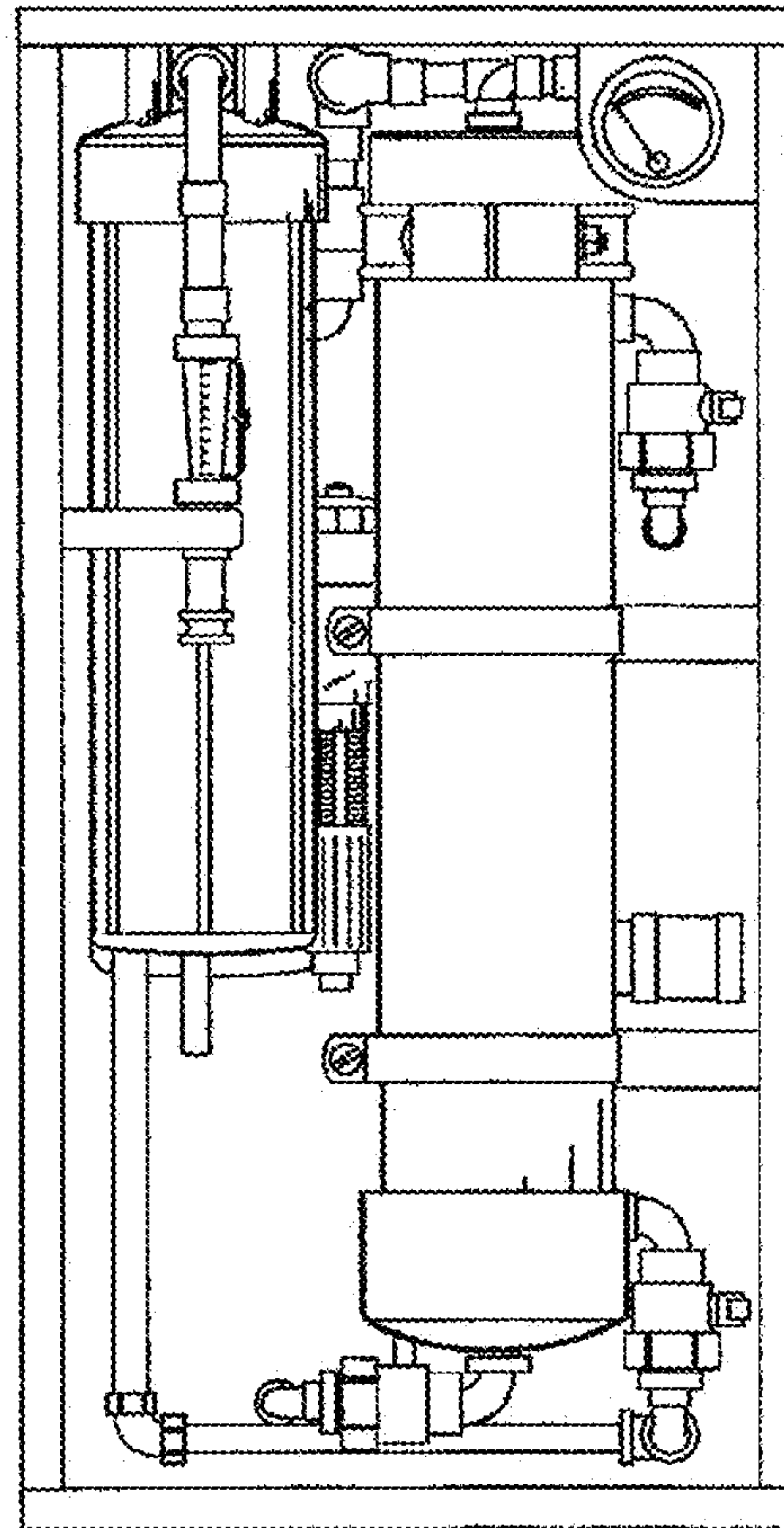


FIG. 6