

US00D754812S

(12) **United States Design Patent**
Butler et al.

(10) **Patent No.:** **US D754,812 S**
(45) **Date of Patent:** **** Apr. 26, 2016**

- (54) **HANDLE AND CLAMP ASSEMBLY FOR SPRAYER TANK**
- (71) Applicant: **The Fountainhead Group, Inc.**, New York Mills, NY (US)
- (72) Inventors: **John Butler**, Newport, NY (US); **Walter Williams**, Munnsville, NY (US); **Sudhindra Belur Gopalarao**, New Hartford, NY (US)
- (73) Assignee: **The Fountainhead Group, Inc.**, New York Mills, NY (US)
- (**) Term: **14 Years**
- (21) Appl. No.: **29/517,593**
- (22) Filed: **Feb. 13, 2015**
- (51) **LOC (10) Cl.** **23-01**
- (52) **U.S. Cl.**
USPC **D23/202; D23/225**
- (58) **Field of Classification Search**
USPC D23/213, 225, 202; 239/152-154;
222/175, 383.1, 465.1
CPC B05B 9/08
See application file for complete search history.

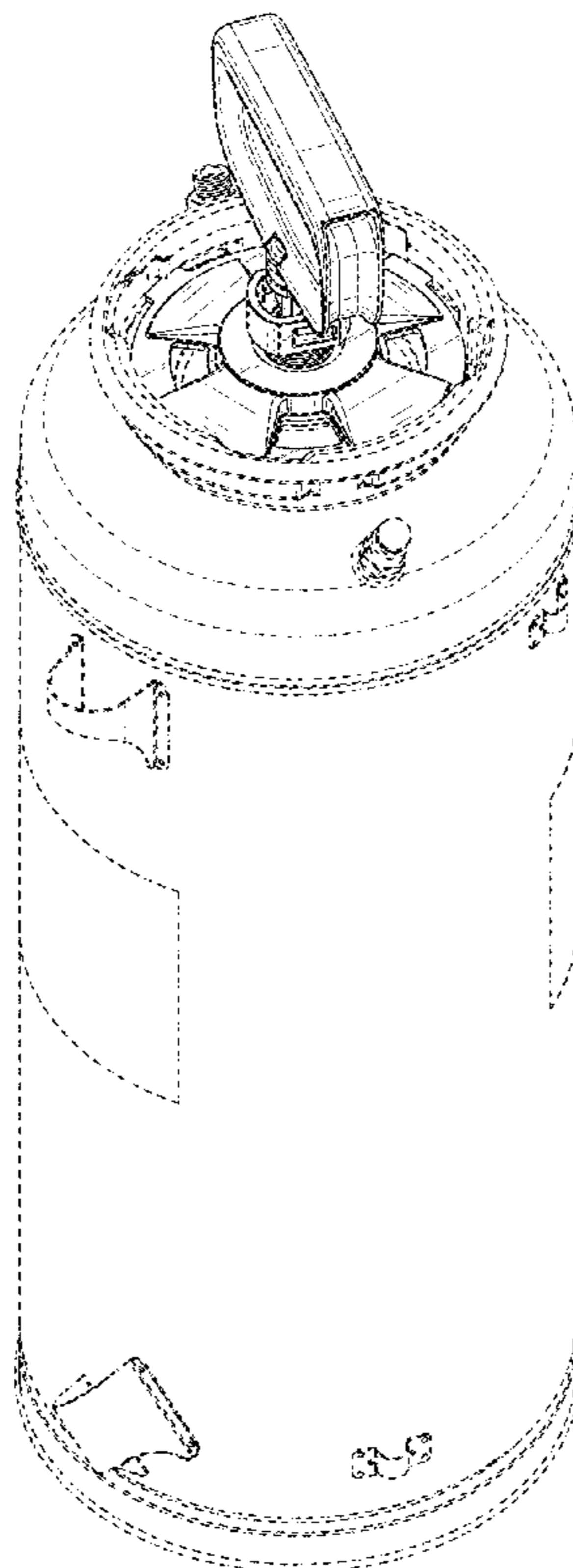
- (56) **References Cited**
U.S. PATENT DOCUMENTS
- 7,926,742 B2 * 4/2011 Leer B05B 9/0816
239/373
- D670,787 S * 11/2012 Kang D23/225
- D706,388 S * 6/2014 Abernethy D23/225
- D713,005 S * 9/2014 Nicolia D23/225
- D713,501 S * 9/2014 Nicolia D23/225
- * cited by examiner
- Primary Examiner* — Robin V Webster
- (74) *Attorney, Agent, or Firm* — George McGuire; Bond Schoeneck & King, PLLC

(57) **CLAIM**
The ornamental design for a handle and clamp assembly for sprayer tank, as shown and described.

DESCRIPTION

FIG. 1 is a perspective view of a new and ornamental cap handle and clamp assembly for sprayer tank, the sprayer tank being shown in phantom lines for environmental purposes only and forming no part of the claimed invention;
FIG. 2 is a front elevation view thereof;
FIG. 3 is a rear elevation view thereof;
FIG. 4 is a first side elevation view thereof;
FIG. 5 is a second side elevation view thereof;
FIG. 6 is a top plan view thereof; and,
FIG. 7 is a bottom plan view thereof.

1 Claim, 7 Drawing Sheets



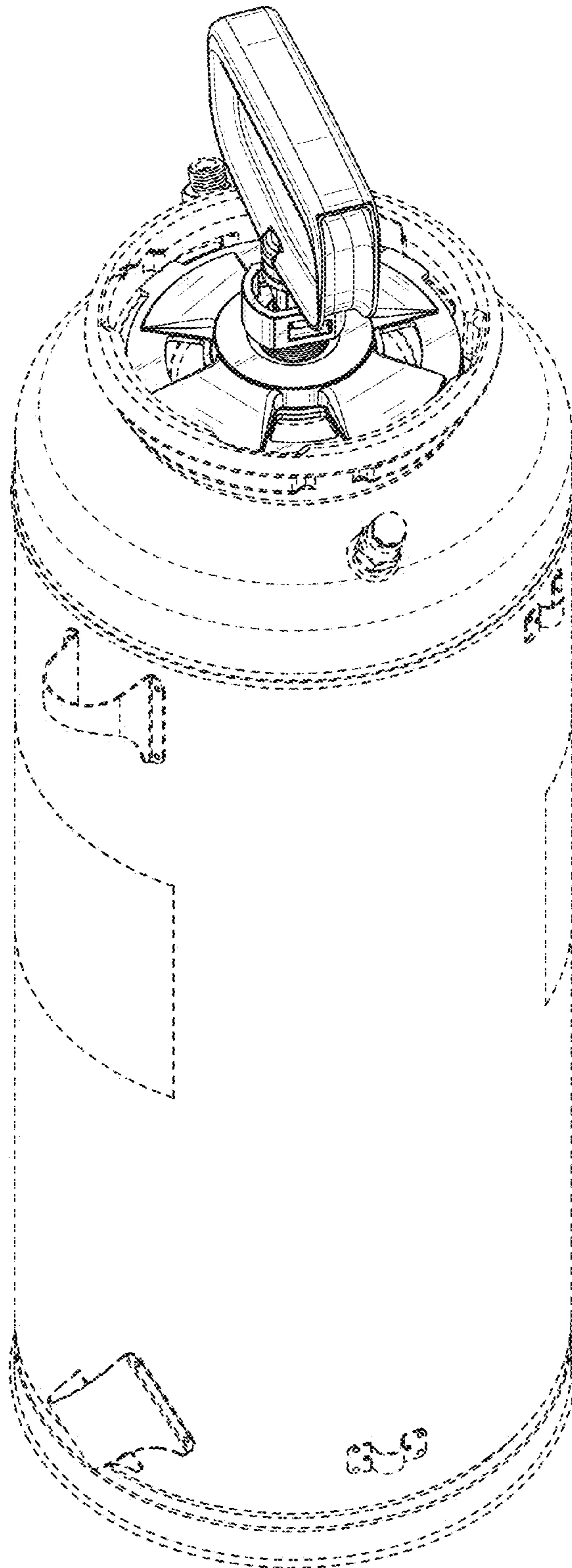


FIG. 1

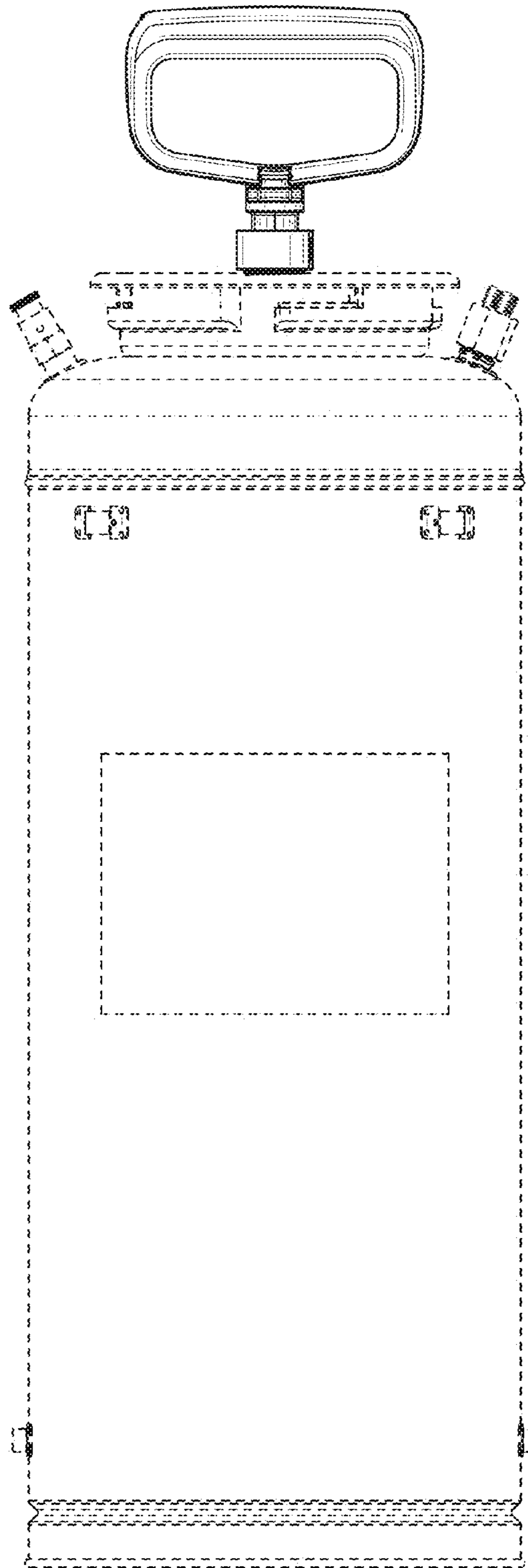


FIG. 2

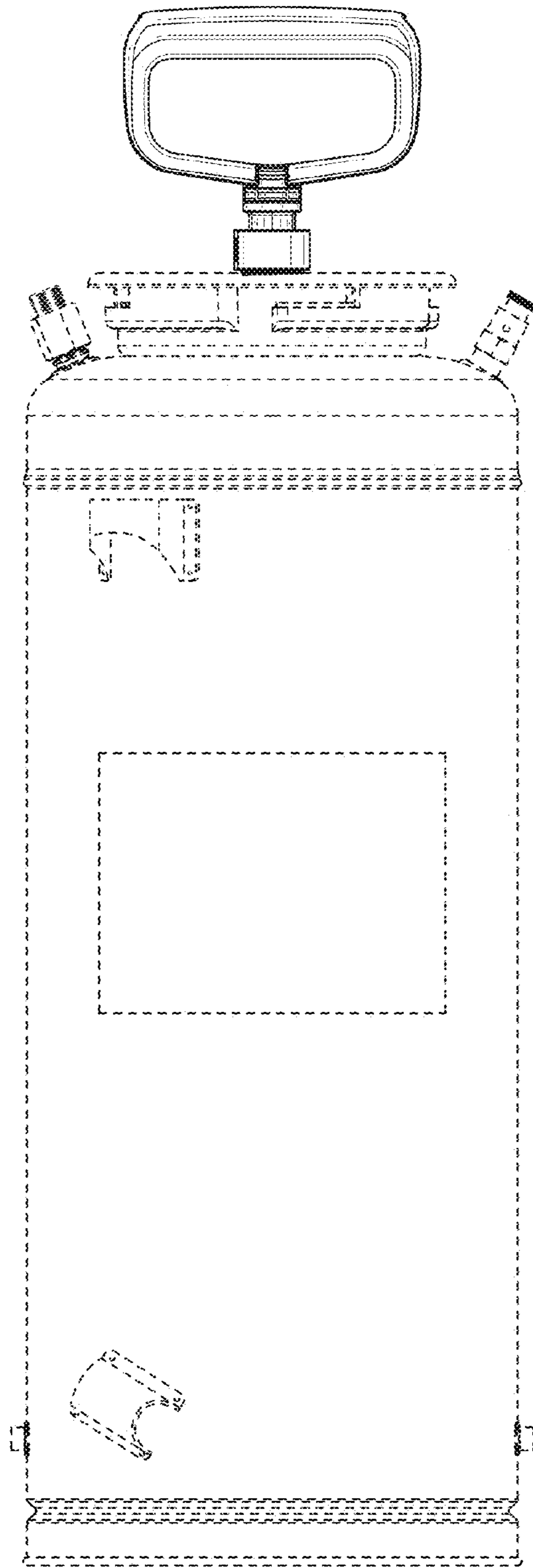


FIG. 3

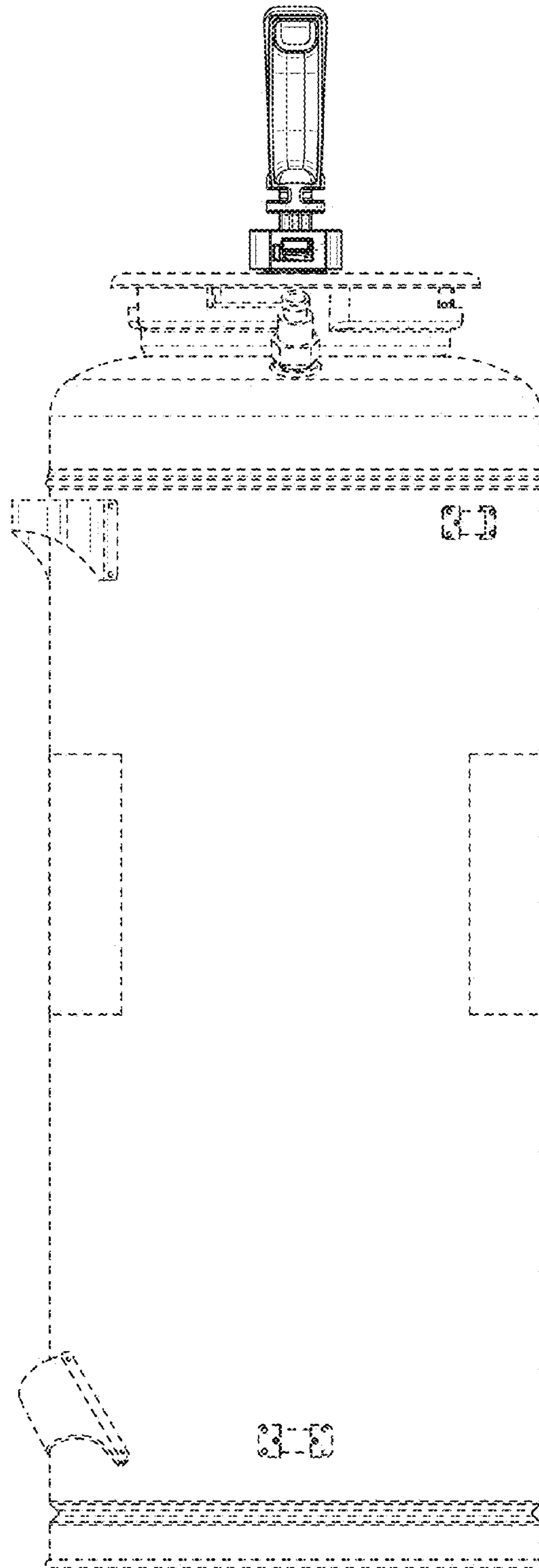


FIG. 4

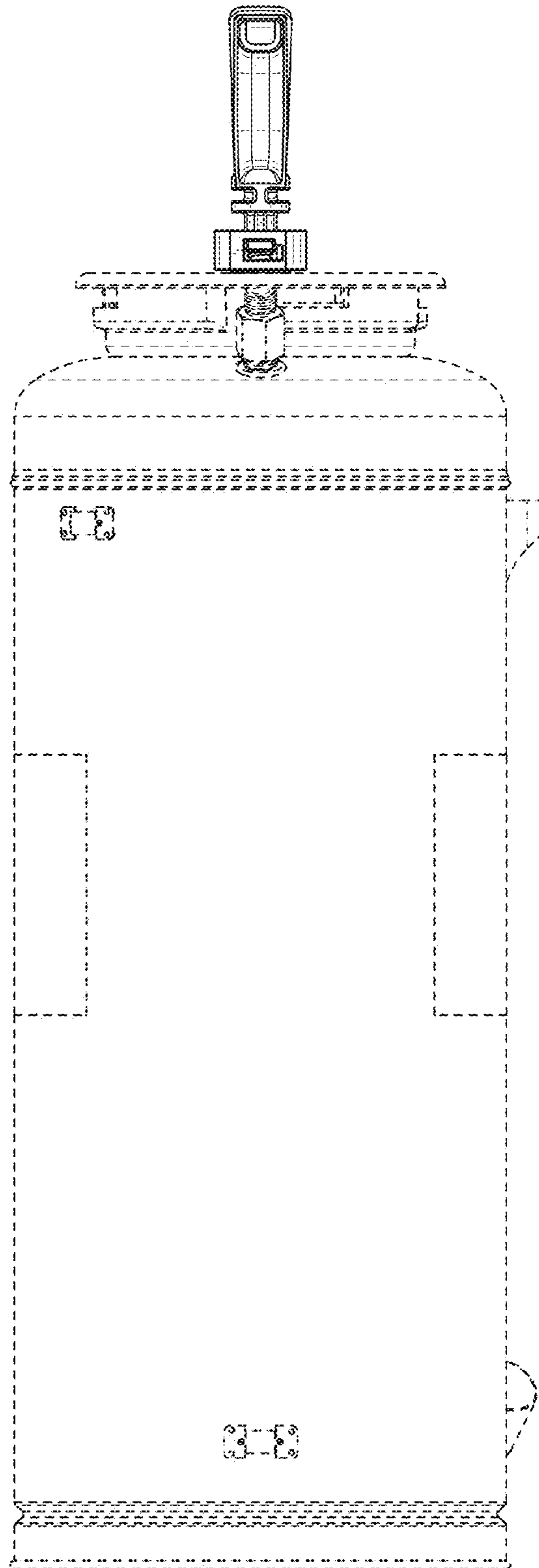


FIG. 5

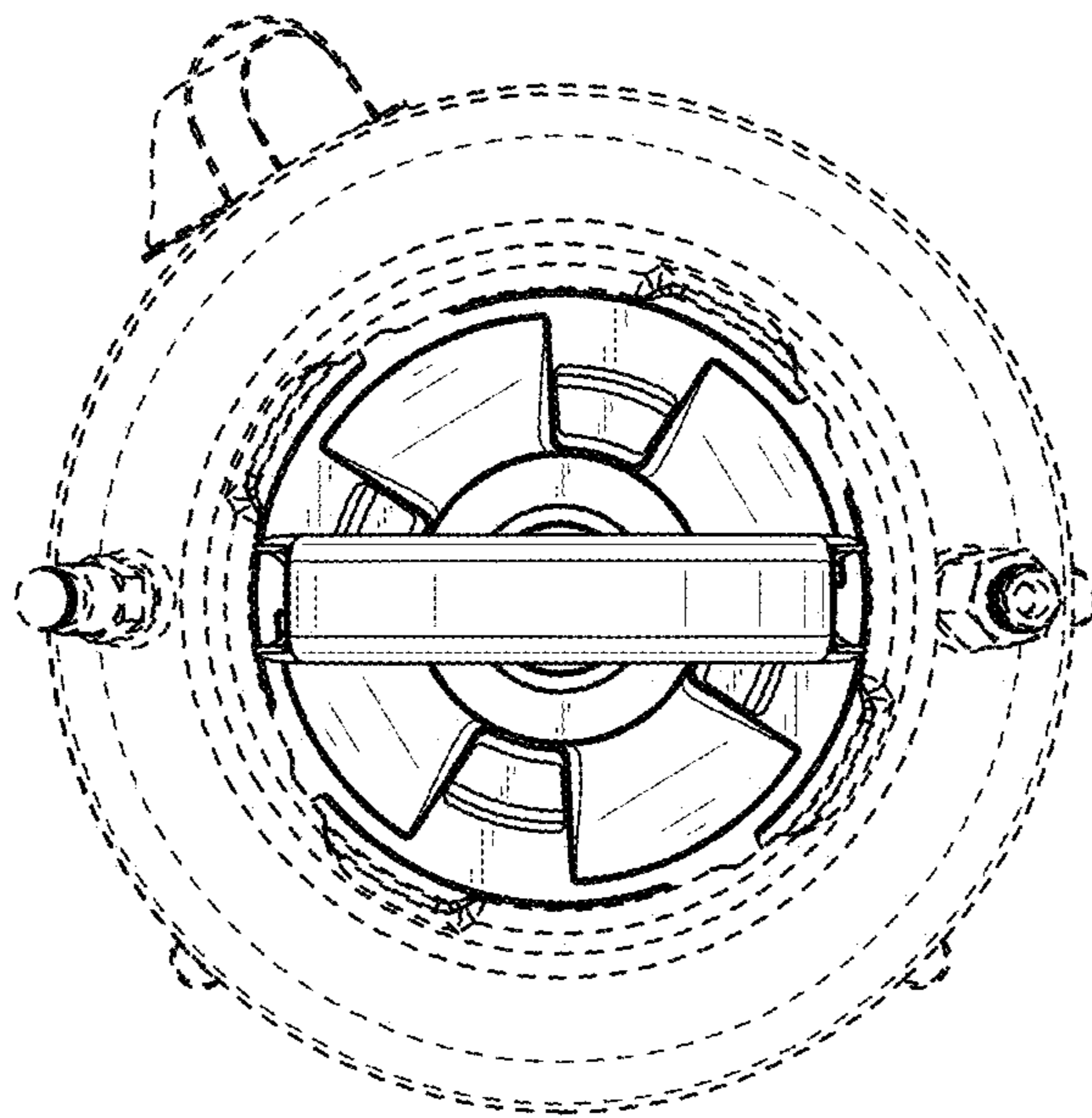


FIG. 6

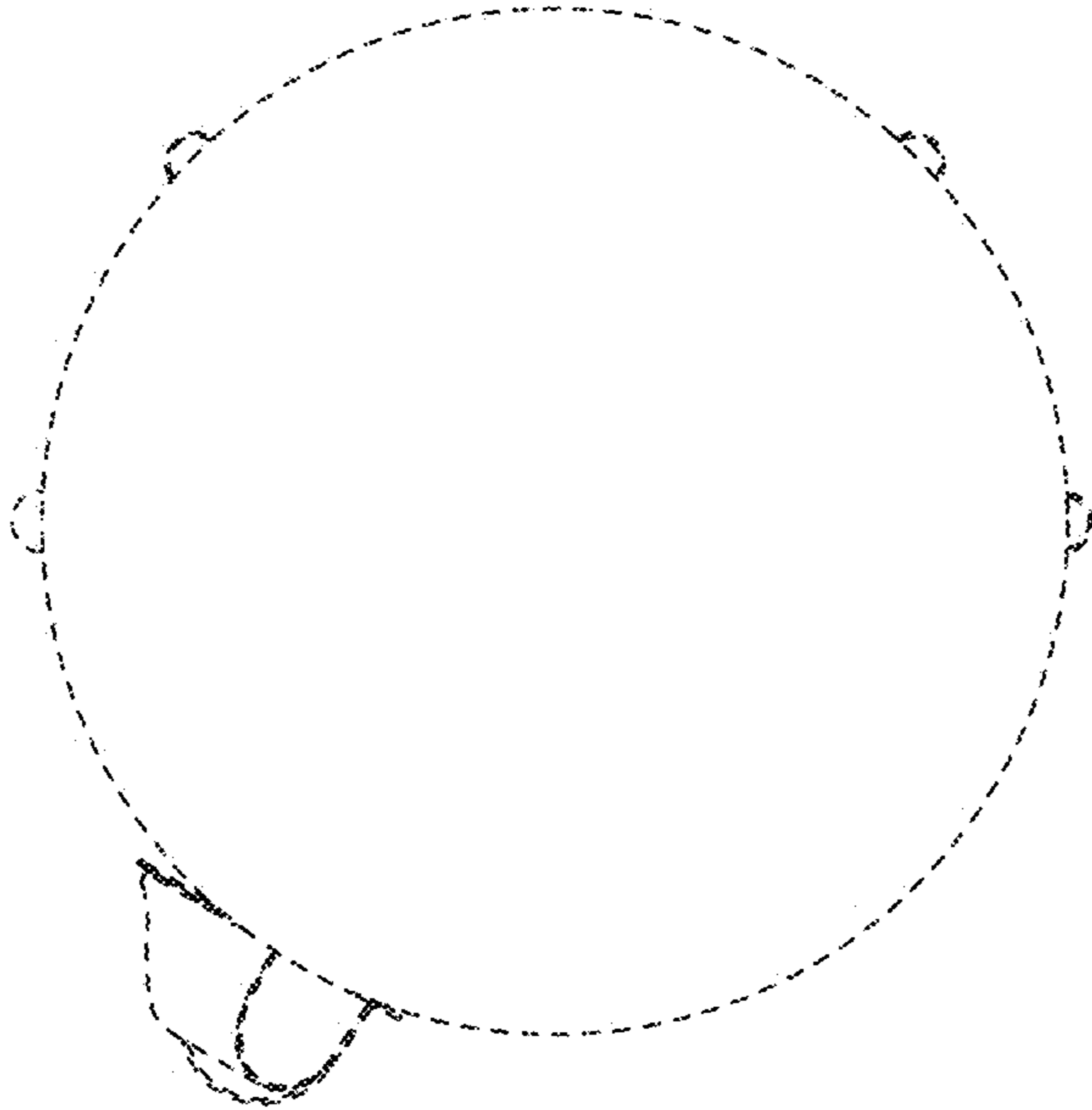


FIG. 7