

US00D754809S

(12) **United States Design Patent**  
**Donovan**

(10) **Patent No.:** **US D754,809 S**  
(45) **Date of Patent:** **\*\* Apr. 26, 2016**

(54) **POND FLOAT**

(71) Applicant: **Lauri Ann Donovan**, San Pedro, CA  
(US)

(72) Inventor: **Lauri Ann Donovan**, San Pedro, CA  
(US)

(\*\*) Term: **14 Years**

(21) Appl. No.: **29/508,111**

(22) Filed: **Nov. 3, 2014**

(51) **LOC (10) Cl.** ..... **22-06**

(52) **U.S. Cl.**  
USPC ..... **D22/120**

(58) **Field of Classification Search**  
USPC ..... D22/119-120, 199; 119/221; 43/17.5,  
43/43.1, 44.87, 44.9, 44.91  
CPC ..... A01K 75/02; A01K 97/02  
See application file for complete search history.

(56) **References Cited**

**U.S. PATENT DOCUMENTS**

- 4,553,194 A \* 11/1985 Bailey ..... A01K 75/02  
43/17.5
- 5,161,324 A \* 11/1992 Dorsey ..... A01K 97/02

43/43.1  
D491,997 S \* 6/2004 Weiser ..... D22/119  
D677,376 S \* 3/2013 Wolff ..... D22/119

\* cited by examiner

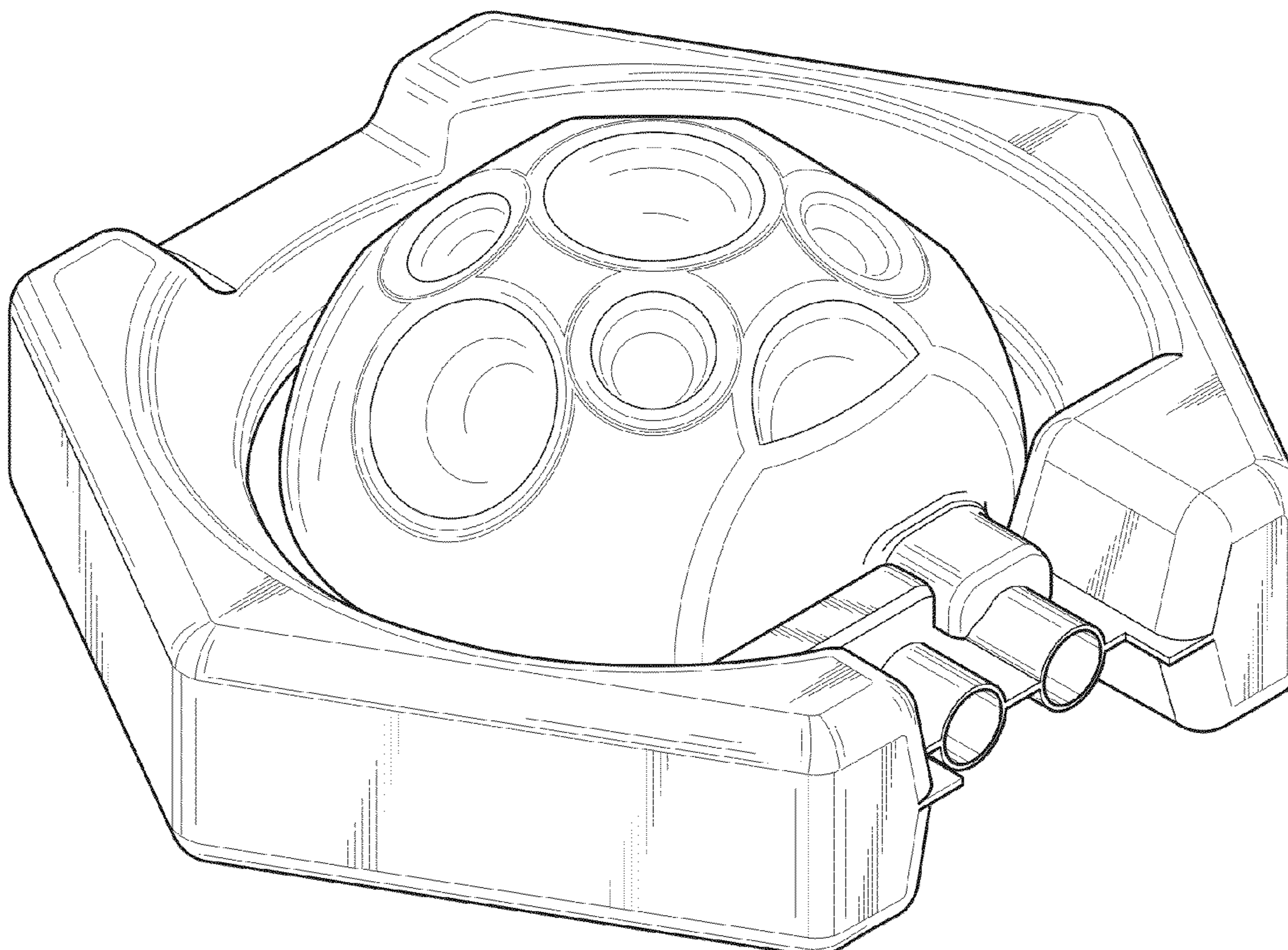
*Primary Examiner* — Catheri Oliver-Garcia  
(74) *Attorney, Agent, or Firm* — Robert L. Farris; Farris Law, P.C.

(57) **CLAIM**  
The ornamental design for a pond float, shown and described.

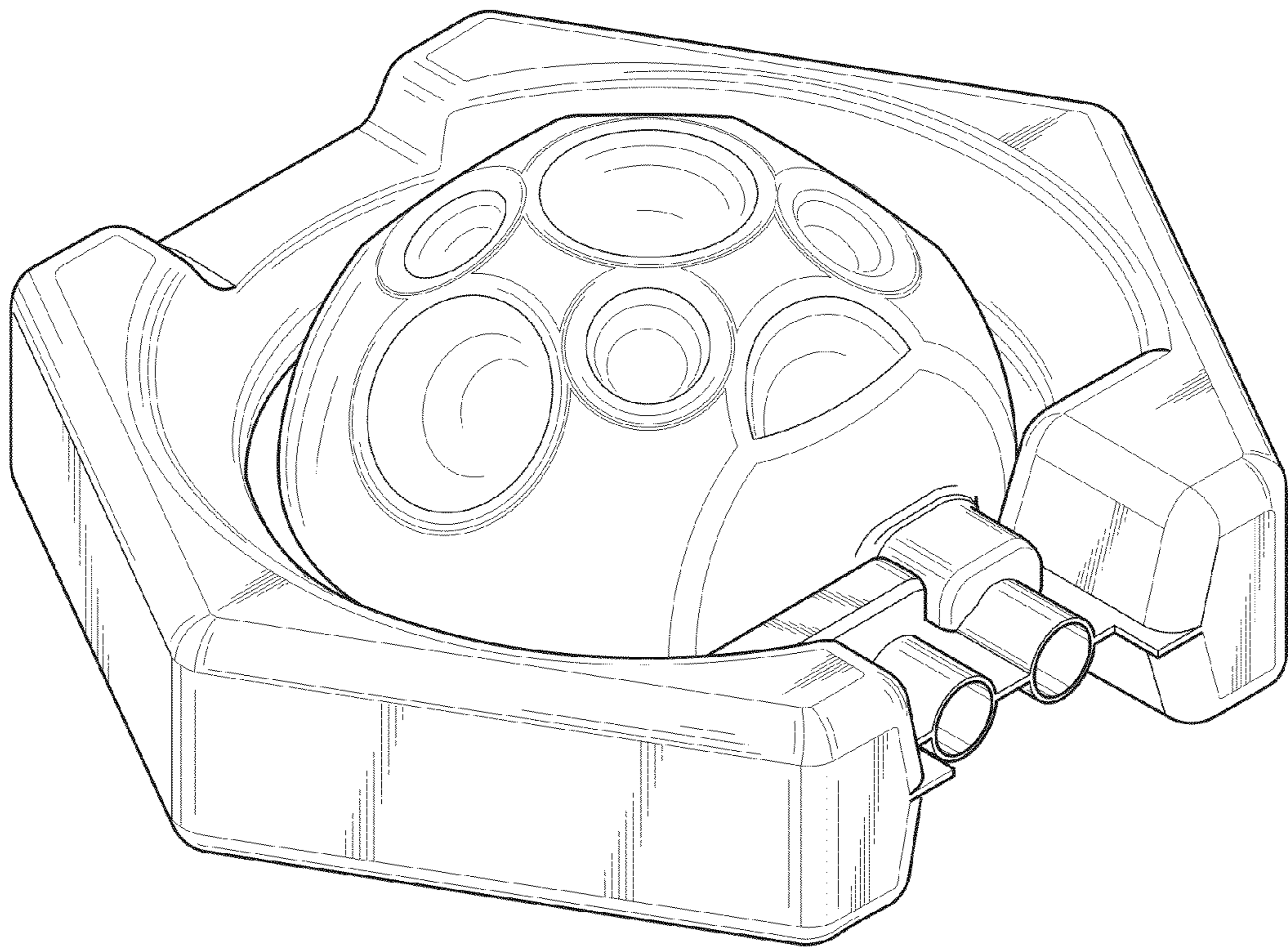
**DESCRIPTION**

FIG. 1 is a perspective view of a pond float, showing a top, a front and a first side;  
 FIG. 2 is a top plan view of the pond float;  
 FIG. 3 is a front elevational view of the pond float, with a left port for a center chamber open, a right port for an outer ring chamber open, and the top facing downward;  
 FIG. 4 is a bottom view of the pond float;  
 FIG. 5 is a rear elevational view of the pond float;  
 FIG. 6 is a first side view of the pond float with the front side facing upward; and,  
 FIG. 7 is a second side view of the pond float with the front side facing downward.

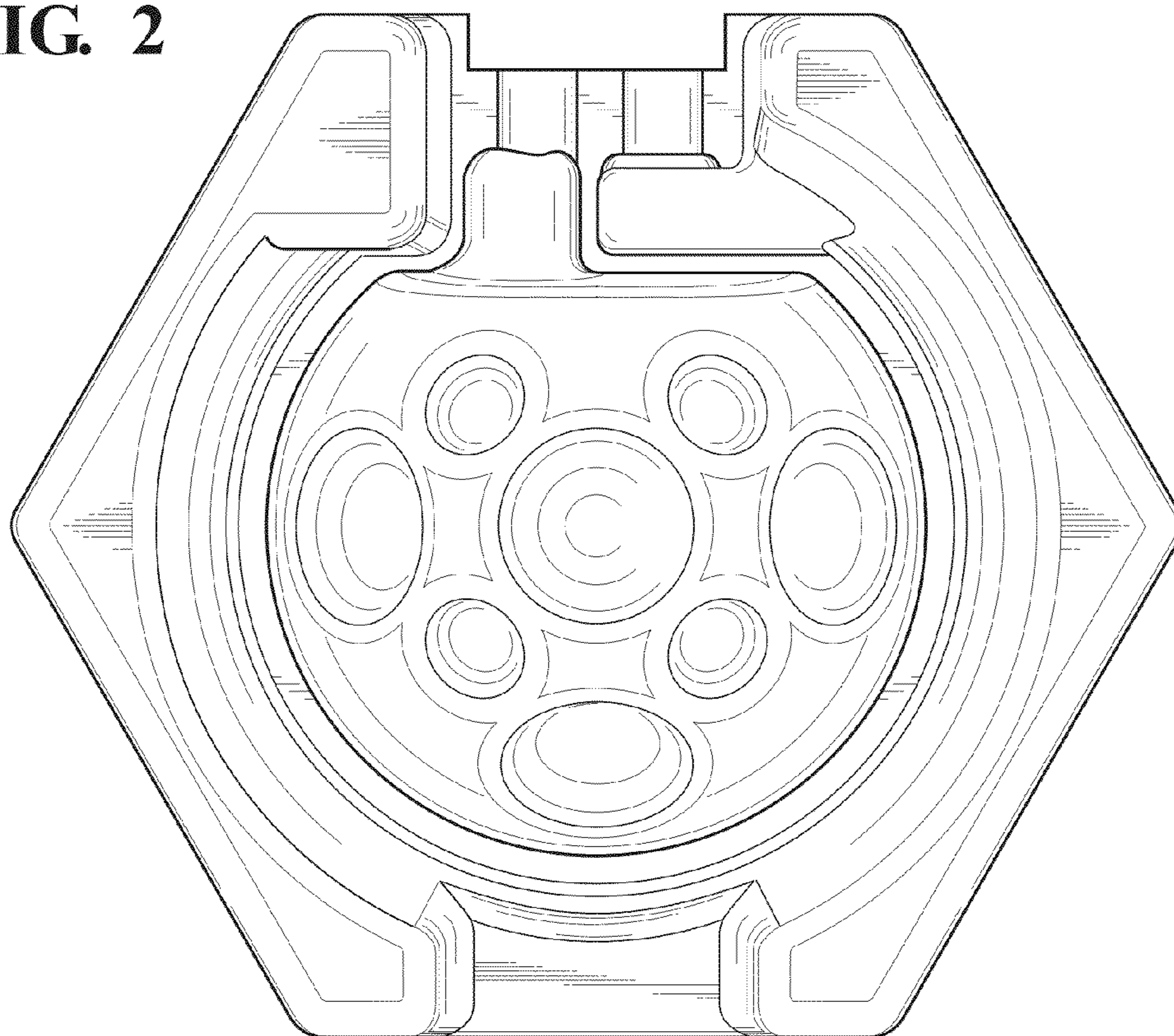
**1 Claim, 4 Drawing Sheets**



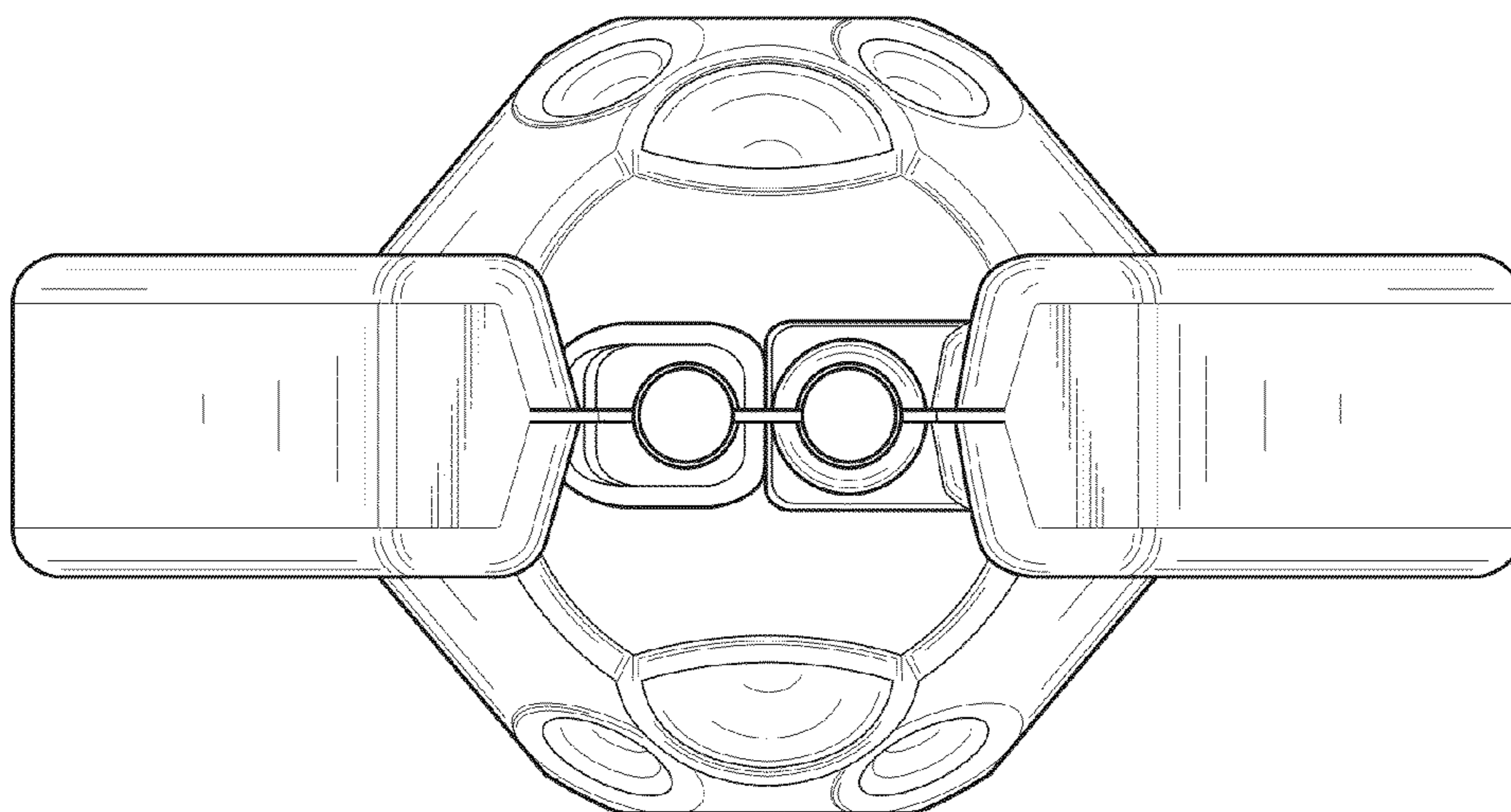
**FIG. 1**



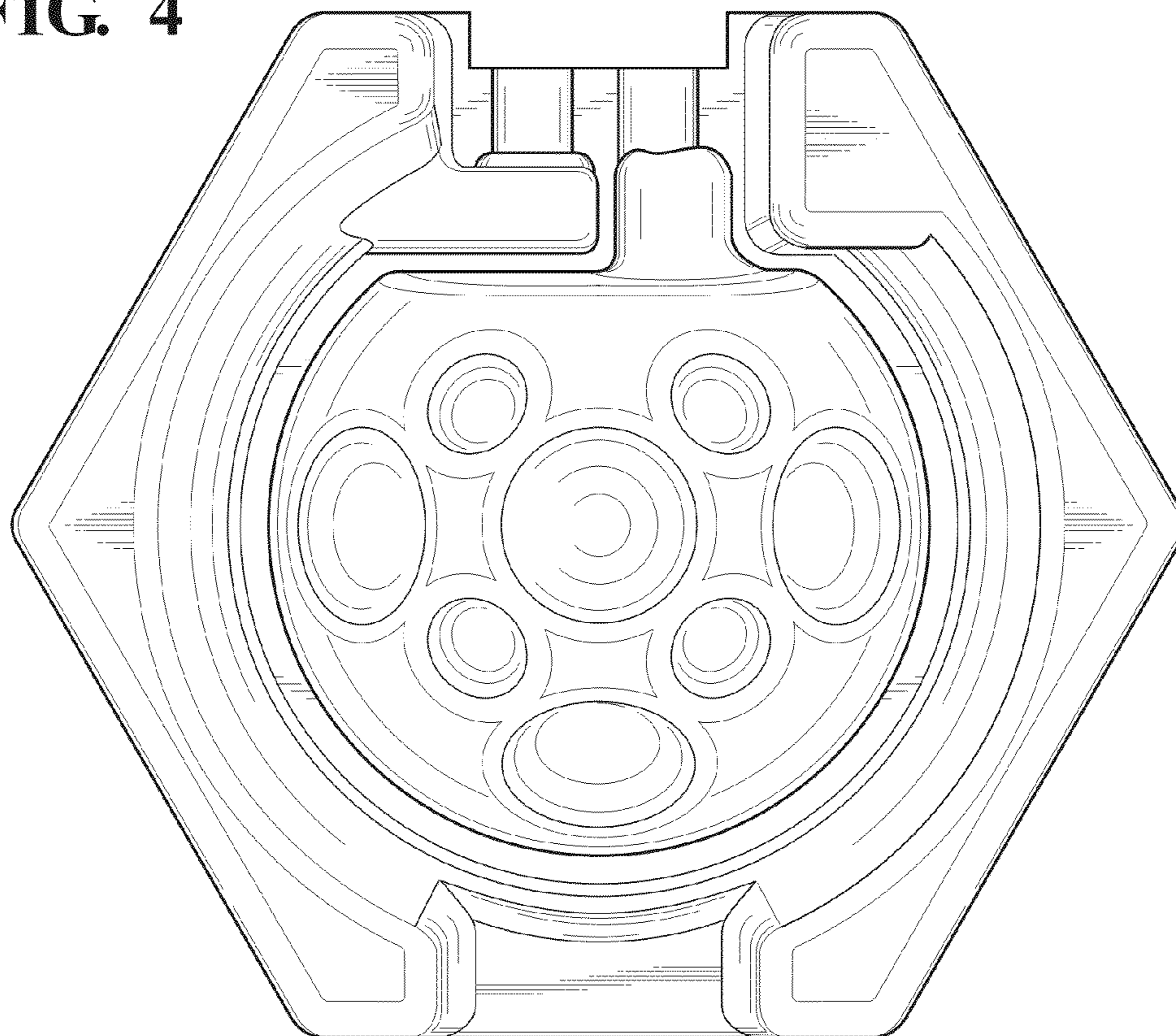
**FIG. 2**



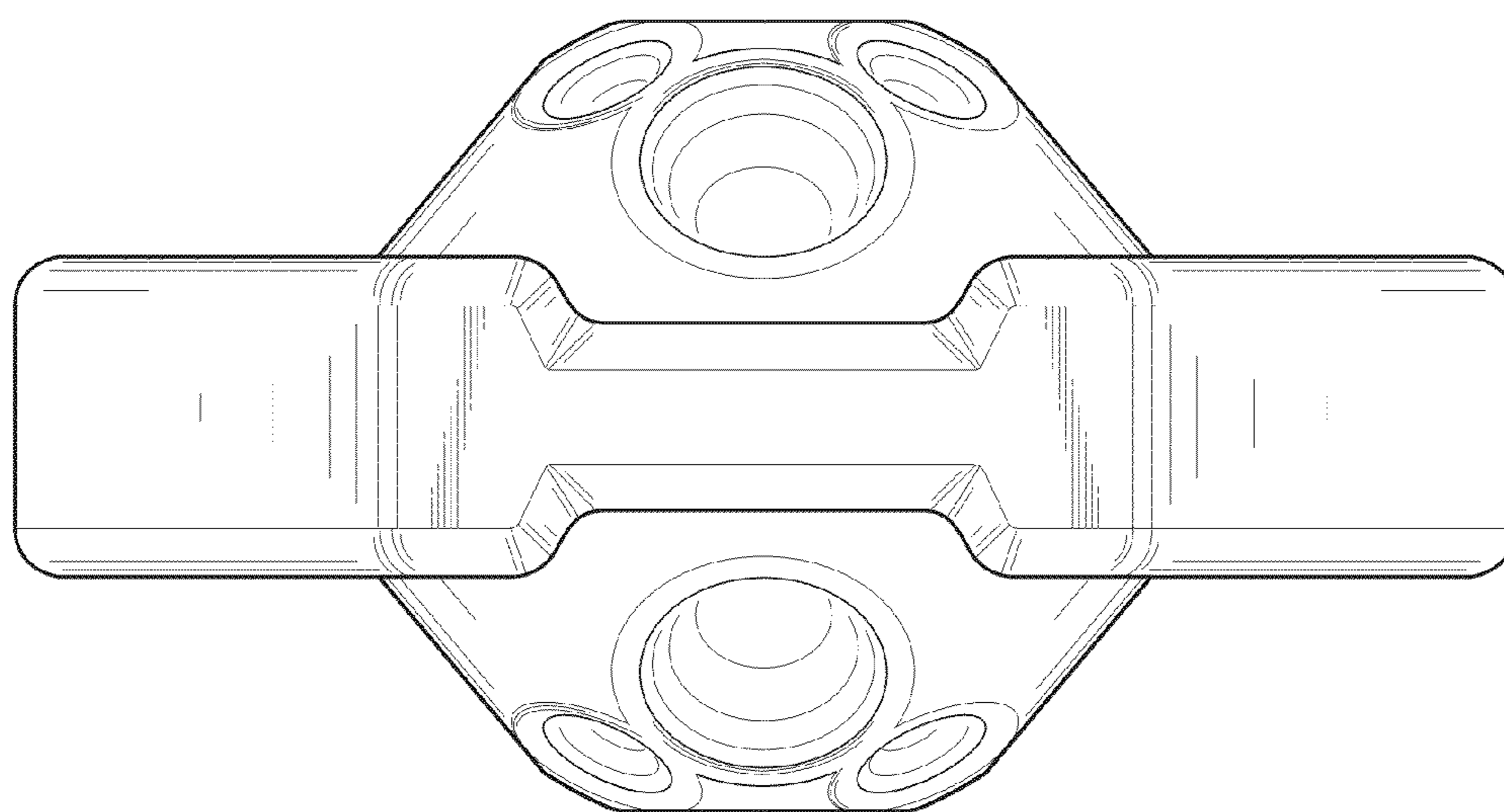
**FIG. 3**

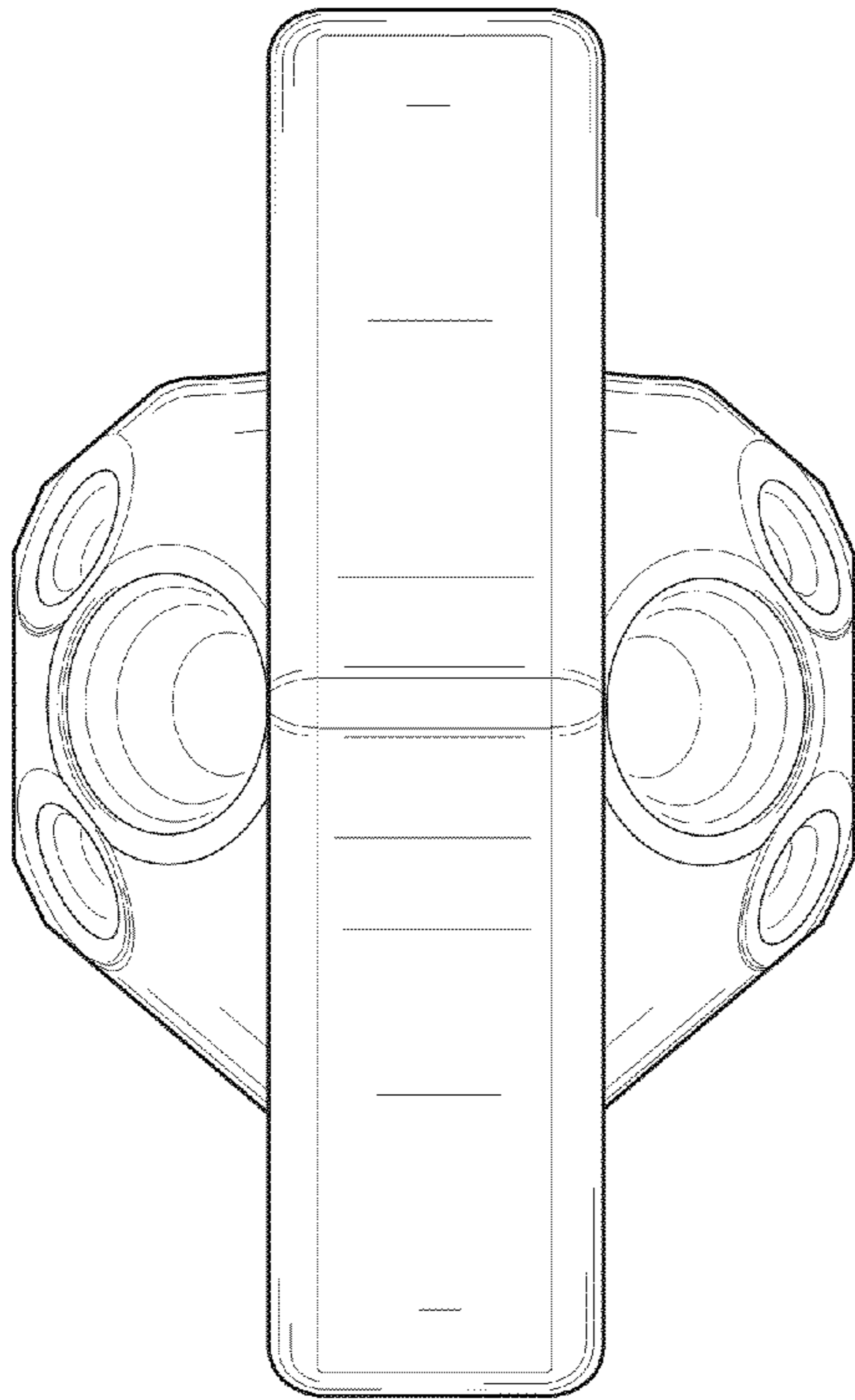


**FIG. 4**

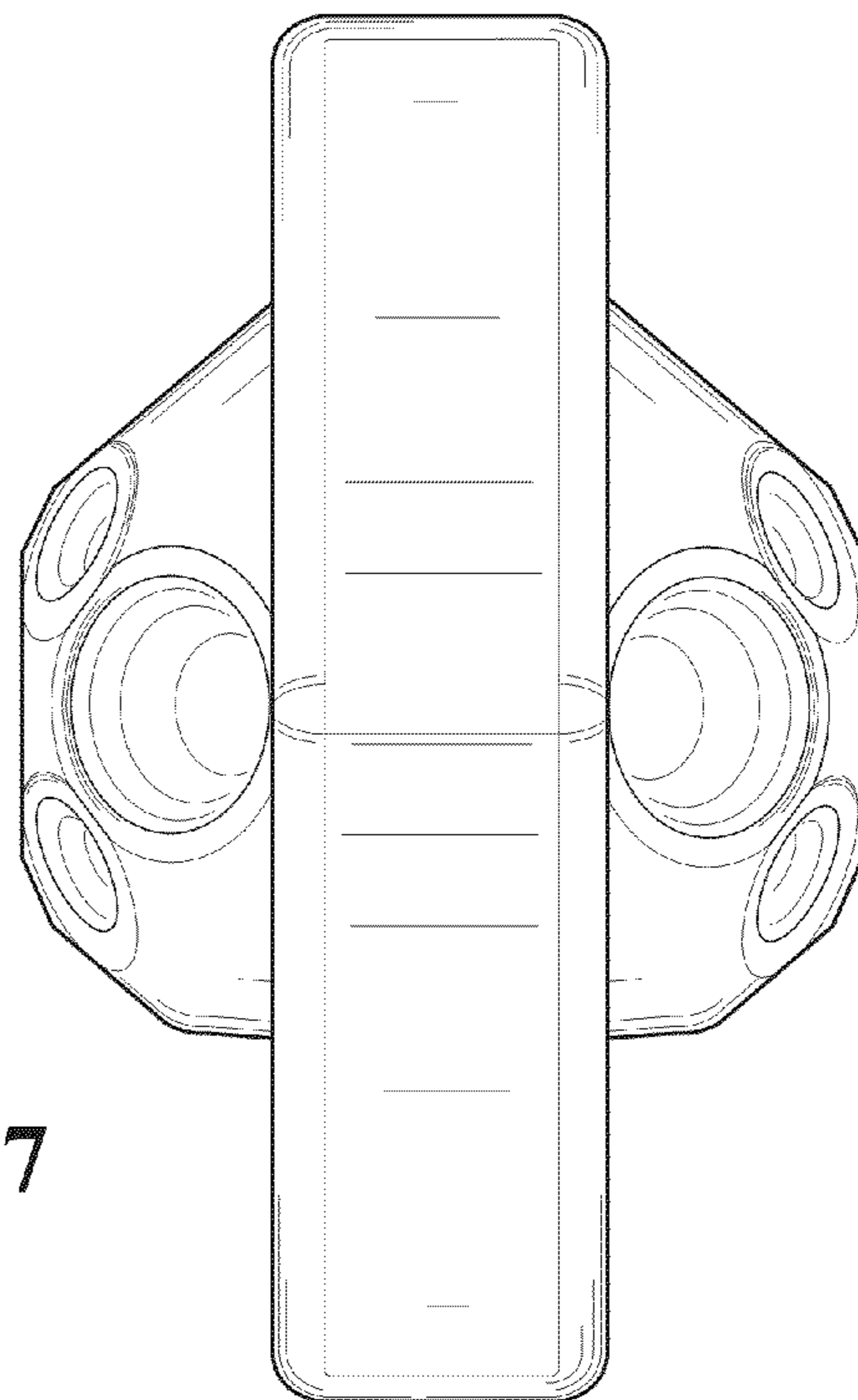


**FIG. 5**





**FIG. 6**



**FIG. 7**