



US00D754808S

(12) **United States Design Patent**  
**Pittman**

(10) **Patent No.:** **US D754,808 S**  
(45) **Date of Patent:** **\*\* Apr. 26, 2016**

(54) **WEAPON CONTROL HAND STOP**

(56) **References Cited**

(71) Applicant: **Impact Weapons Components, LLC**,  
Timnath, CO (US)

U.S. PATENT DOCUMENTS

(72) Inventor: **Earl L. Pittman**, Fort Collins, CO (US)

2,933,843	A	4/1960	McFeeter
3,332,162	A	7/1967	Martwick et al.
5,622,000	A	4/1997	Marlowe
6,671,991	B1	1/2004	Danielson
7,823,316	B2	11/2010	Storch et al.
D636,836	S	4/2011	Fitzpatrick et al.
D691,236	S	10/2013	Fitzpatrick et al.
2011/0107643	A1	5/2011	Fitzpatrick et al.
2015/0096215	A1*	4/2015	Somogyy ..... F41C 23/16 42/71.01

(73) Assignee: **Impact Weapons Components, LLC**,  
Timnath, CO (US)

(\*\*) Term: **14 Years**

\* cited by examiner

(21) Appl. No.: **29/496,612**

*Primary Examiner* — Michael A Pratt  
(74) *Attorney, Agent, or Firm* — Cooley LLP

(22) Filed: **Jul. 15, 2014**

**Related U.S. Application Data**

(62) Division of application No. 29/444,662, filed on Feb. 1, 2013, now Pat. No. Des. 712,499, which is a division of application No. 29/404,972, filed on Oct. 27, 2011, now Pat. No. Des. 678,976.

(57) **CLAIM**

The ornamental design for a weapon control hand stop, as shown and described.

(51) **LOC (10) Cl.** ..... **22-01**

**DESCRIPTION**

(52) **U.S. Cl.**

USPC ..... **D22/108**

FIG. 1 is a perspective view;  
FIG. 2 is another perspective view;  
FIG. 3 is a top view;  
FIG. 4 is a bottom view;  
FIG. 5 is a right side view, the left side view being a mirror image thereof;  
FIG. 6 is a front view; and,  
FIG. 7 is a back view.

(58) **Field of Classification Search**

USPC ..... D22/108; 42/90, 85, 106, 113–114,  
42/124–128; 89/37.03–37.04, 41.17;

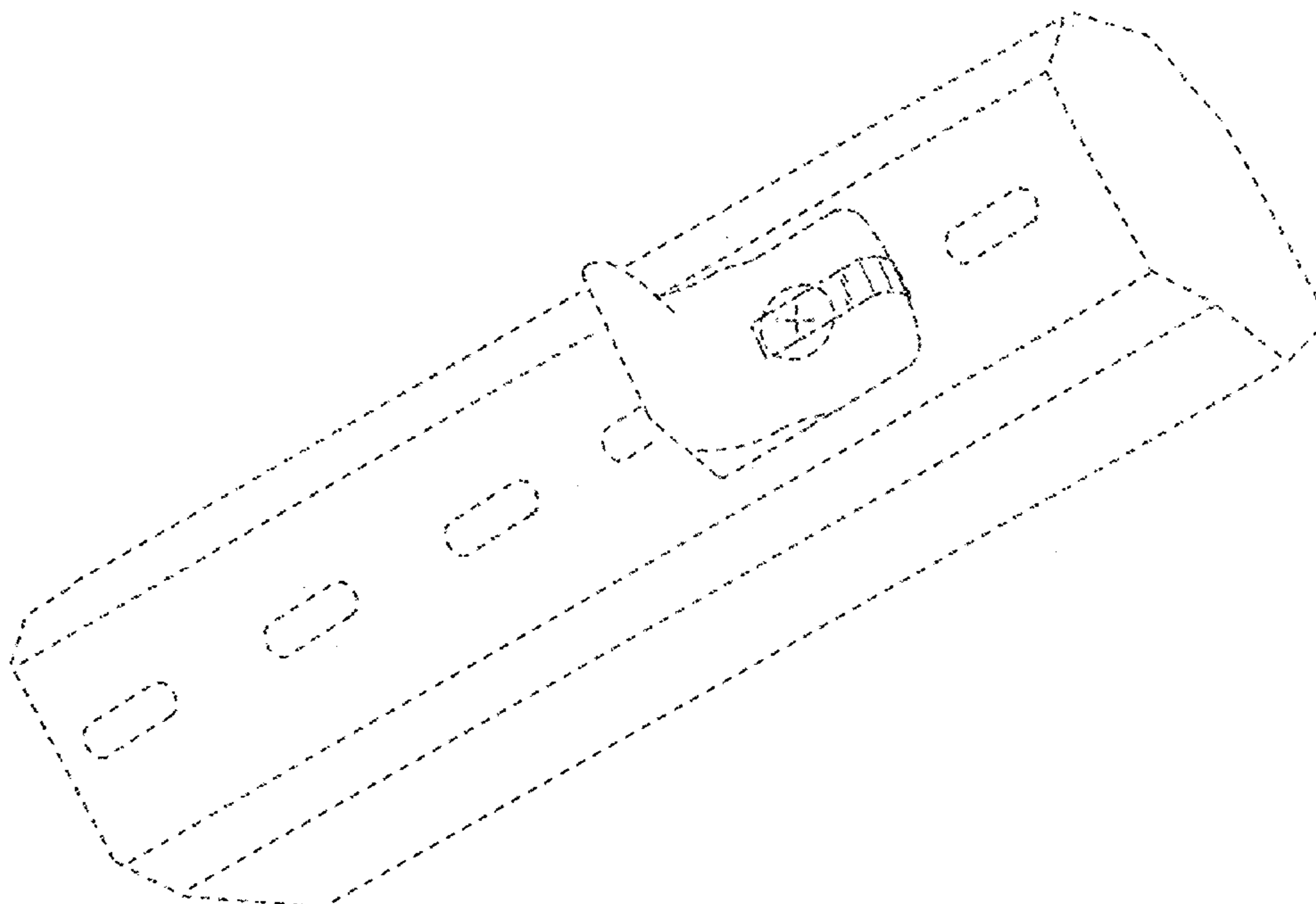
248/201, 205.1

CPC ..... F41C 23/10; F41C 23/14; F41C 23/16;  
F41C 23/18

The broken lines immediately adjacent the shaded areas represent the bounds of the claimed design while all other broken lines are directed to environment and are for illustrative purposes only; the broken lines form no part of the claimed design.

See application file for complete search history.

**1 Claim, 3 Drawing Sheets**



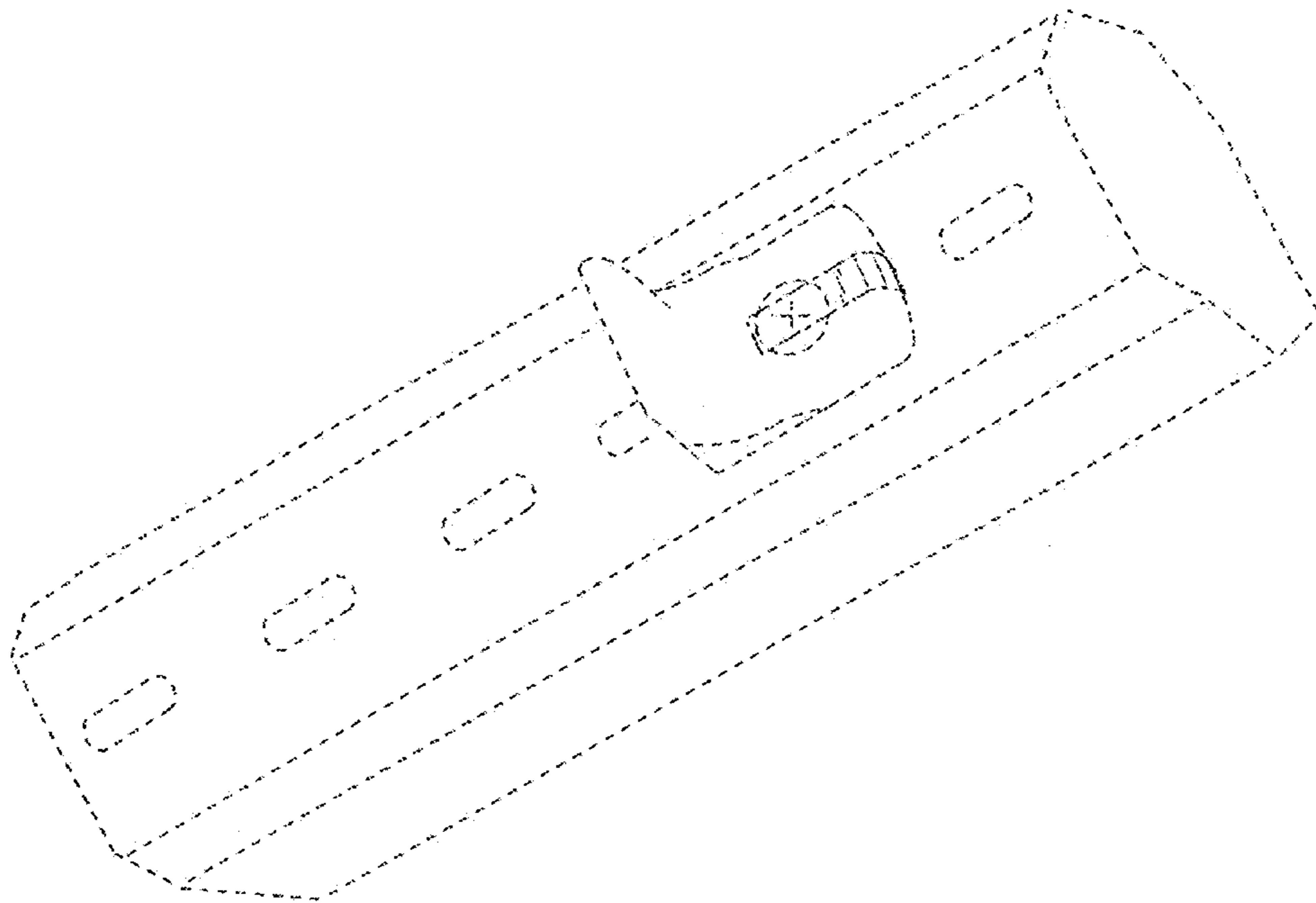


FIG. 1

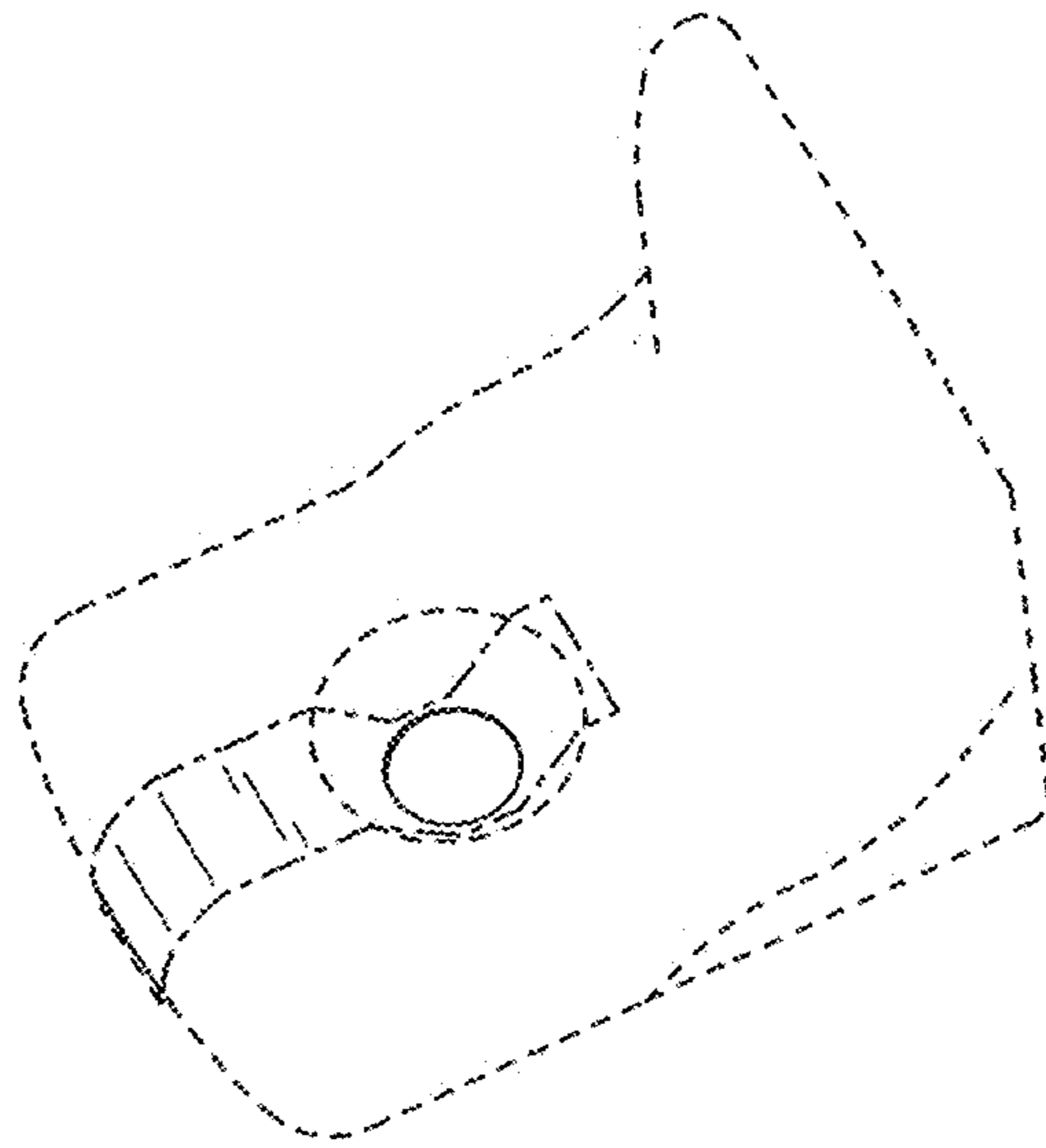


FIG. 2

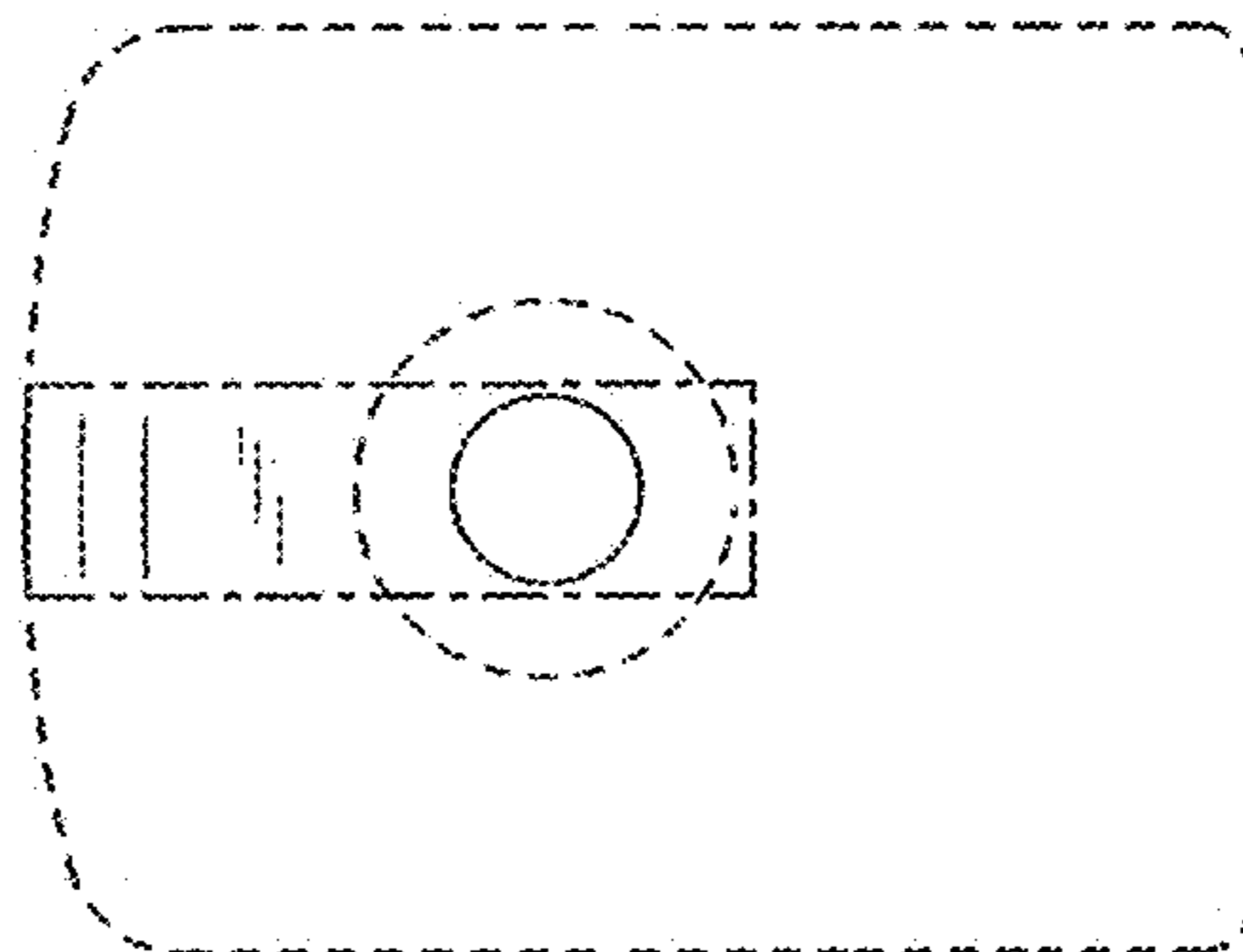


FIG. 3

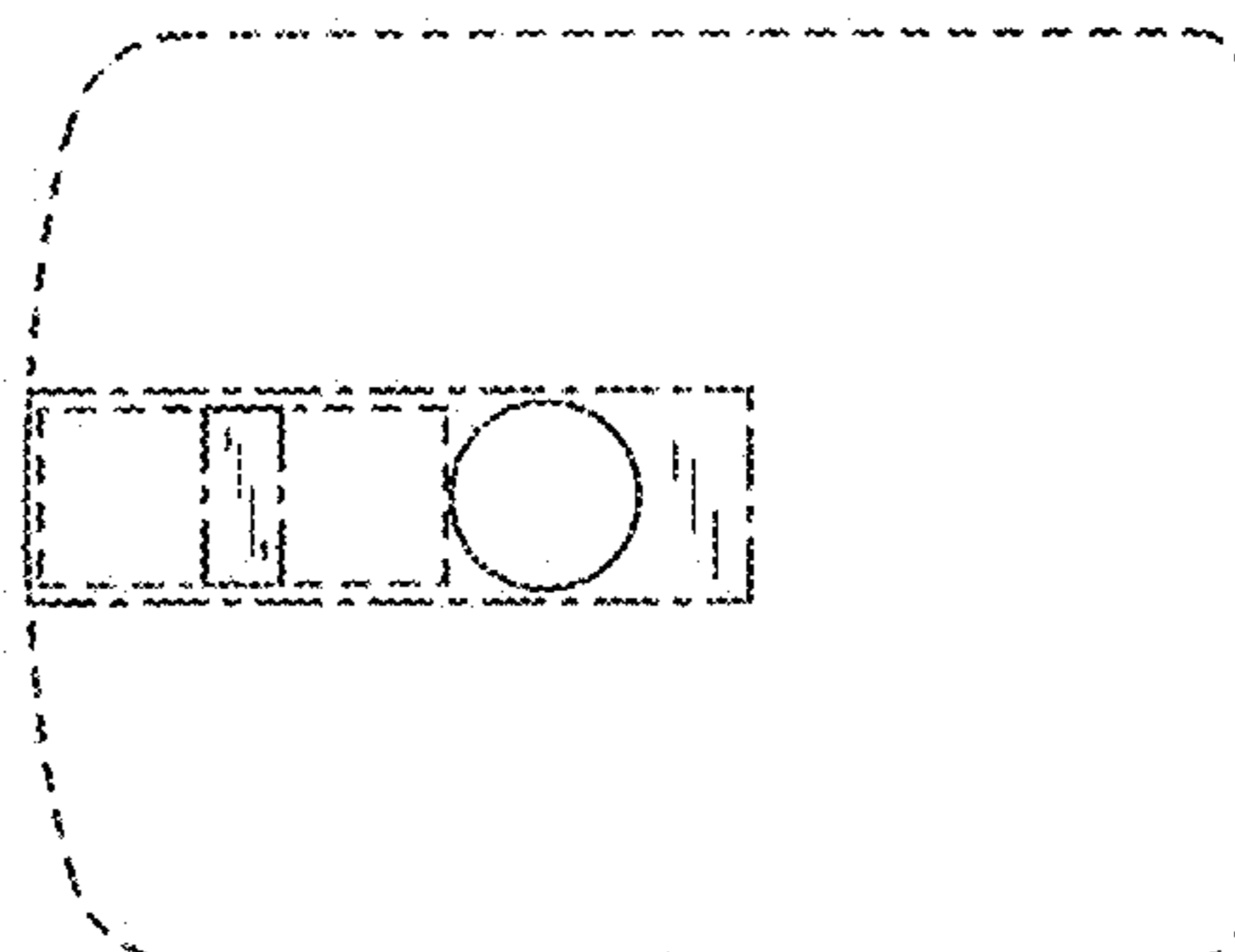


FIG. 4

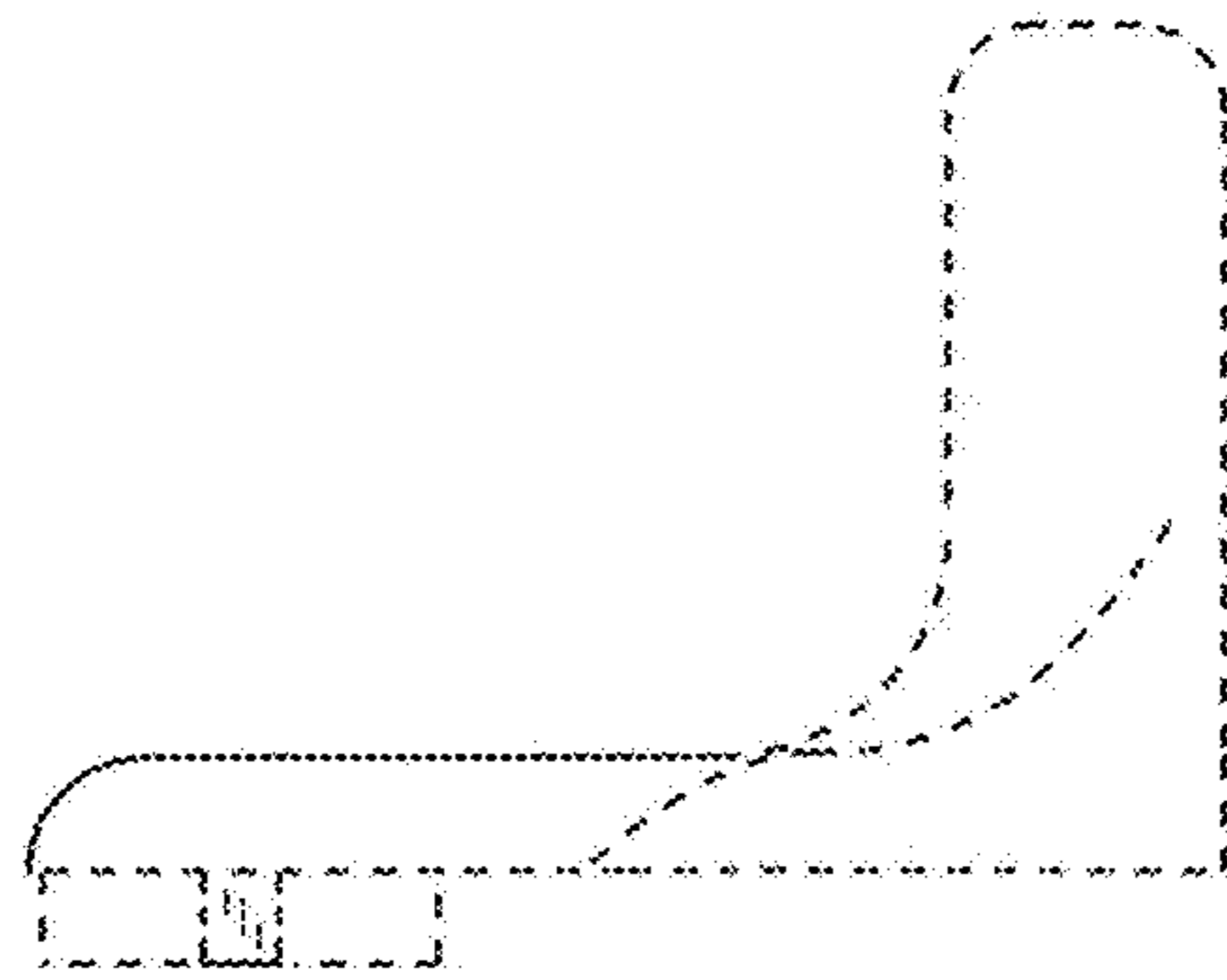


FIG. 5

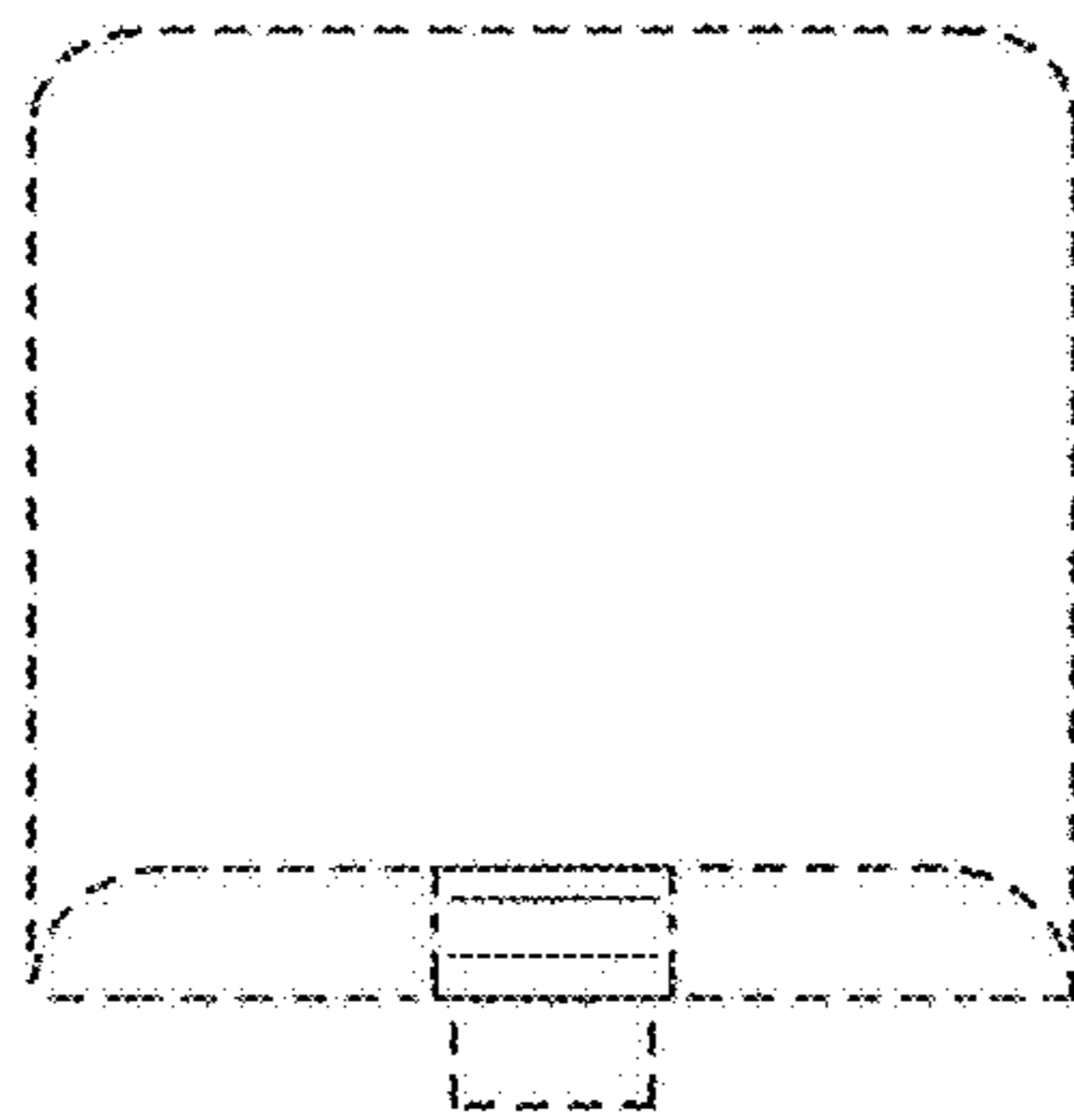


FIG. 6

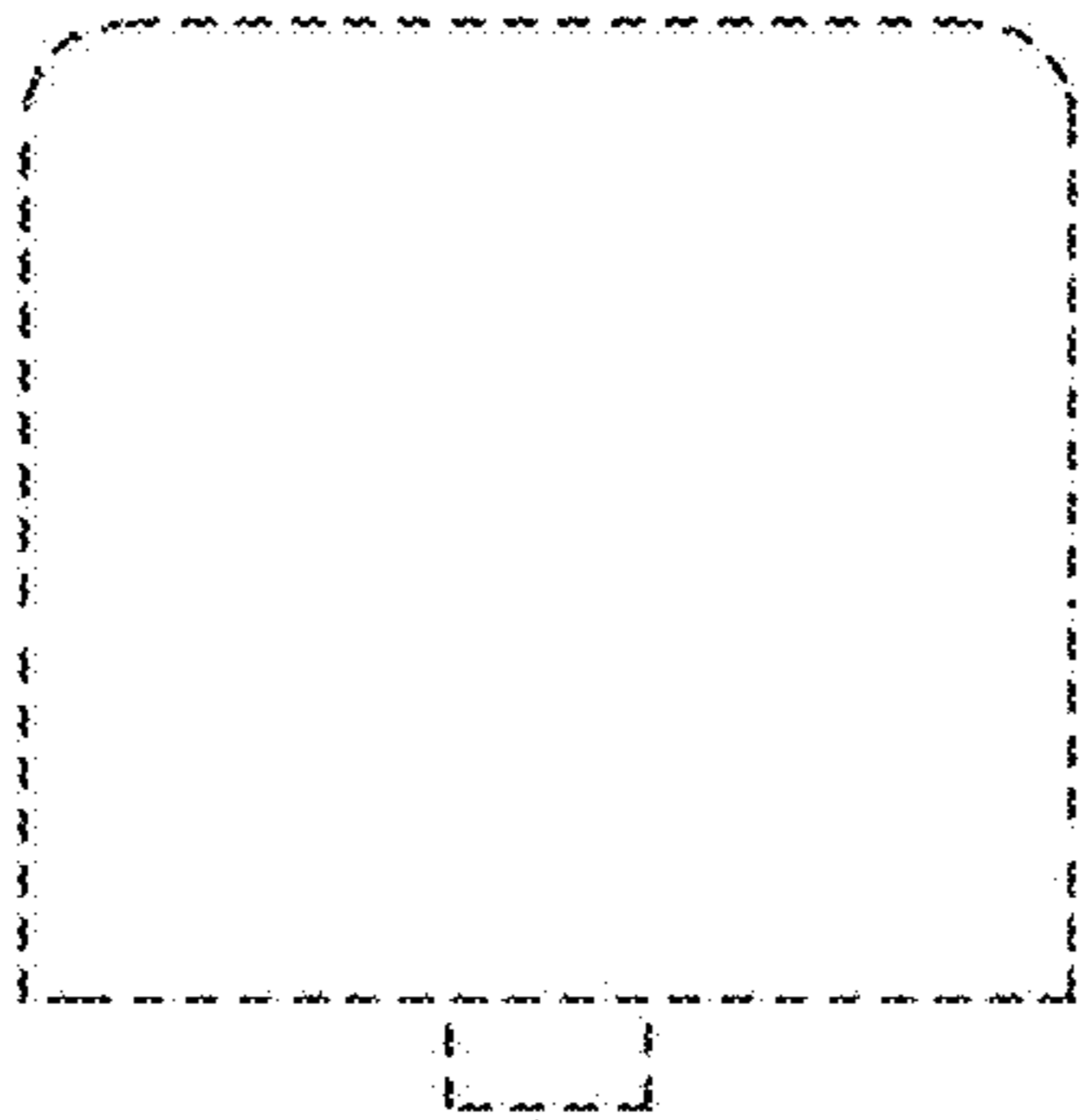


FIG. 7