

US00D754804S

(12) **United States Design Patent**
Gilbert

(10) **Patent No.:** **US D754,804 S**

(45) **Date of Patent:** **** Apr. 26, 2016**

(54) **FITNESS WEIGHT DESTABILIZER**

(71) Applicant: **Herman Gilbert**, Hammond, WI (US)

(72) Inventor: **Herman Gilbert**, Hammond, WI (US)

(**) Term: **14 Years**

(21) Appl. No.: **29/510,259**

(22) Filed: **Nov. 26, 2014**

(51) **LOC (10) Cl.** **21-02**

(52) **U.S. Cl.**

USPC **D21/694**

(58) **Field of Classification Search**

USPC D8/85, 45, 107, 90, 317, 387, 397, 343,
D8/31, 75, 14; D21/680, 682, 681, 678,
D21/662, 679, 684, 686, 801; 173/102, 103,
173/118, 126, 133; 482/108, 93, 110, 111,
482/105, 8, 107, 106, 139, 94, 104, 109,
482/140, 50, 70, 74, 98, 1, 121, 55;
D9/629, 456, 680; D11/91, 81, 56, 80,
D11/7, 52, 14, 201

CPC A63B 21/0552; A63B 23/0211; A63B
2208/0204; A63B 21/00069; A63B 21/0442;
A63B 21/0004; A63B 23/12

See application file for complete search history.

(56) **References Cited**

U.S. PATENT DOCUMENTS

5,257,964 A * 11/1993 Petters A63B 21/0724
403/377
D647,152 S * 10/2011 Sibley D21/679
D657,010 S * 4/2012 Cen D21/679
D686,286 S * 7/2013 Orakwusi D21/679

8,574,136 B1 * 11/2013 Burstrom A63B 69/0057
482/108
D725,722 S * 3/2015 Conaway D21/679
D731,008 S * 6/2015 Orakwusi D21/681
2006/0105891 A1 * 5/2006 Cappellini A63B 21/0724
482/107
2007/0203002 A1 * 8/2007 Webber A63B 21/078
482/104
2011/0177922 A1 * 7/2011 Selinger A63B 21/0724
482/107

* cited by examiner

Primary Examiner — Robert M Spear

Assistant Examiner — Ryan Harvey

(74) *Attorney, Agent, or Firm* — Skinner and Associates;
Joel Skinner

(57) **CLAIM**

The ornamental design for a fitness weight destabilizer, as shown and described.

DESCRIPTION

FIG. 1 is a perspective view of a fitness weight destabilizer;
FIG. 2 is a right end view thereof, relative to FIG. 1.

FIG. 3 is a left end thereof.

FIG. 4 is a front view thereof, the rear view being a mirror
image thereof.

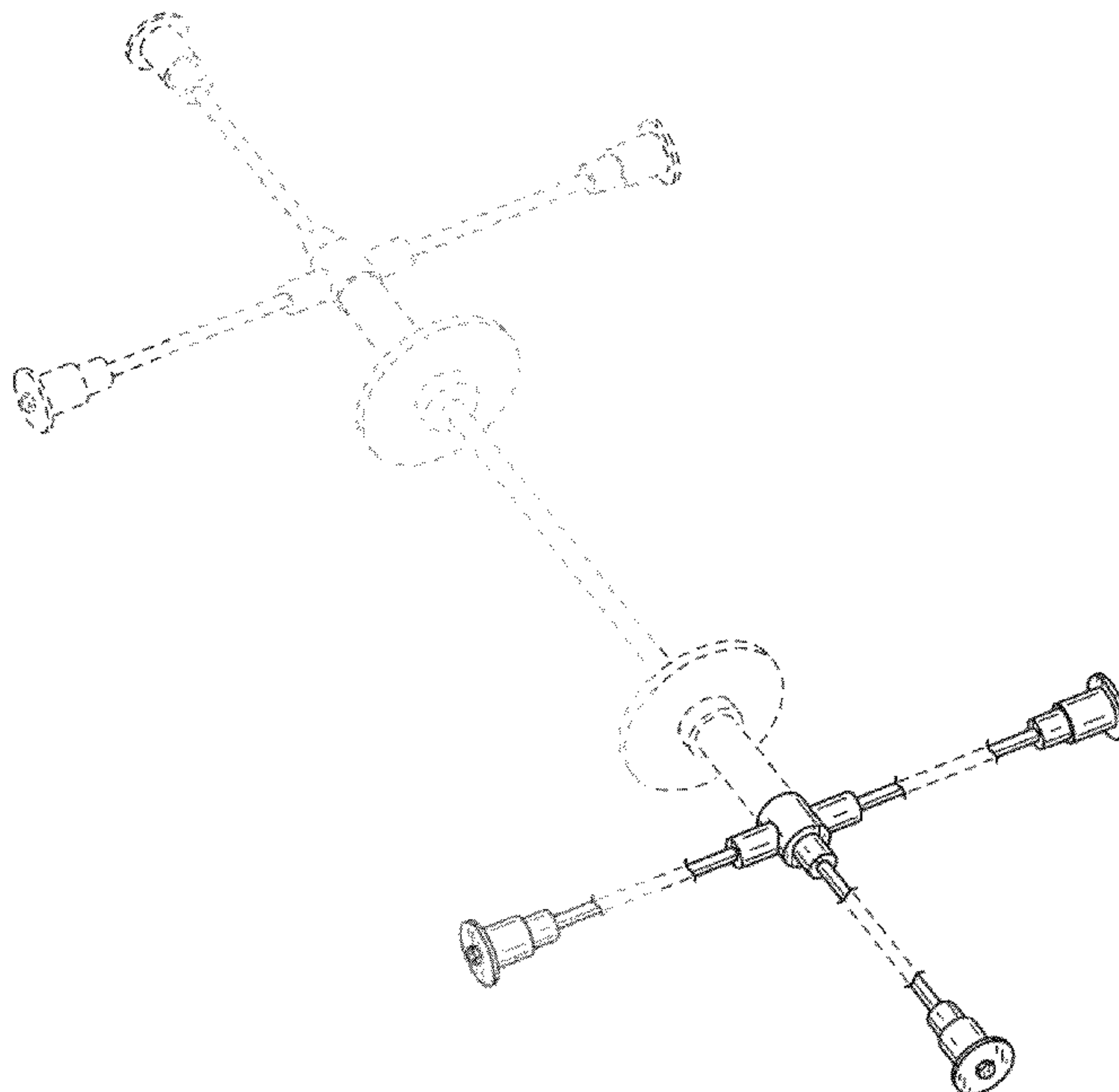
FIG. 5 is a top view thereof; and,

FIG. 6 is a bottom view thereof.

The broken lines illustrate portions of the article that forms no
part of the claimed design.

The claimed design is shown with symbolic breaks in three
components' length, indicating the appearance of any portion
of the article between the break lines forms no part of the
claimed design.

1 Claim, 4 Drawing Sheets



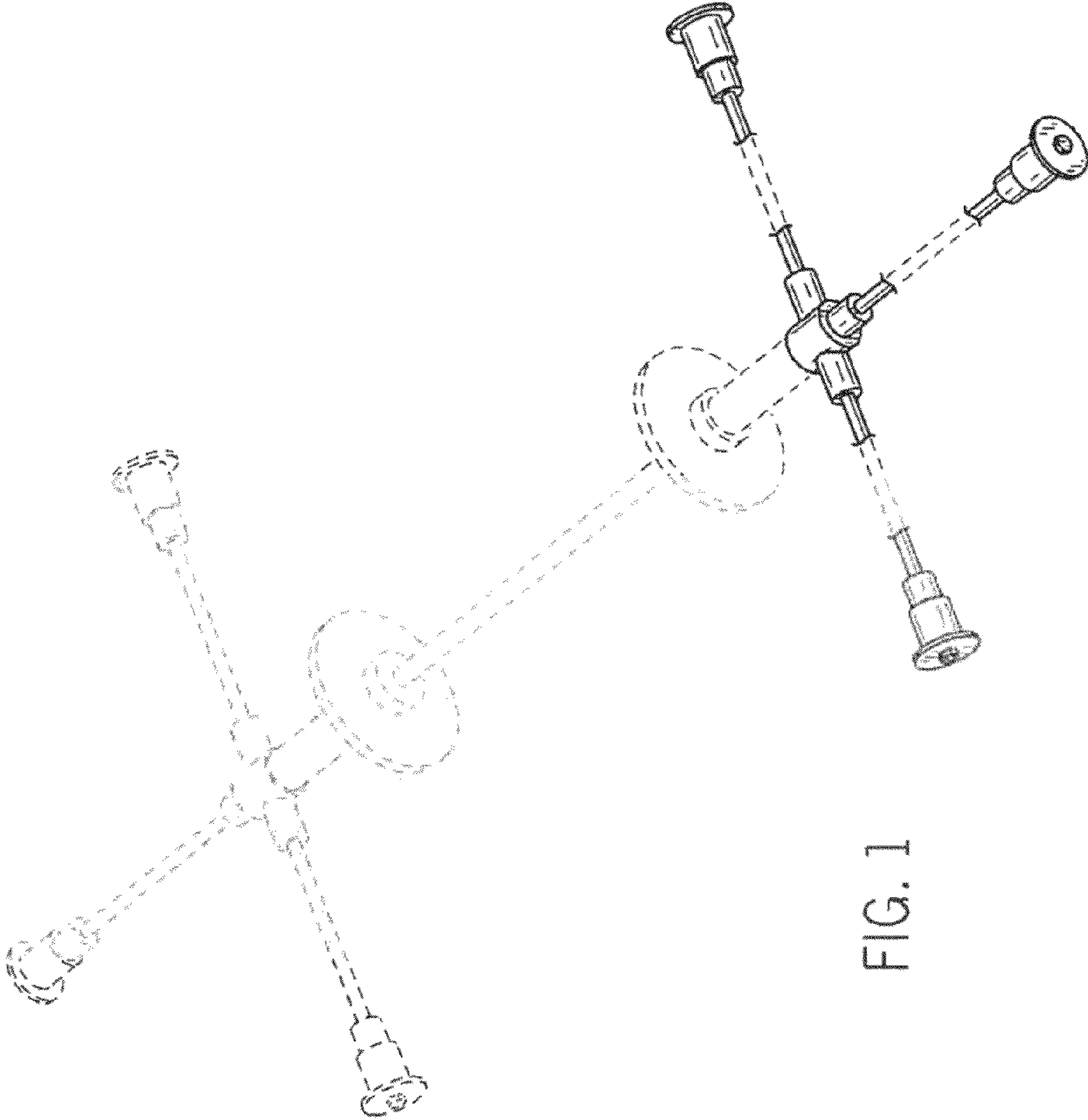


FIG. 1

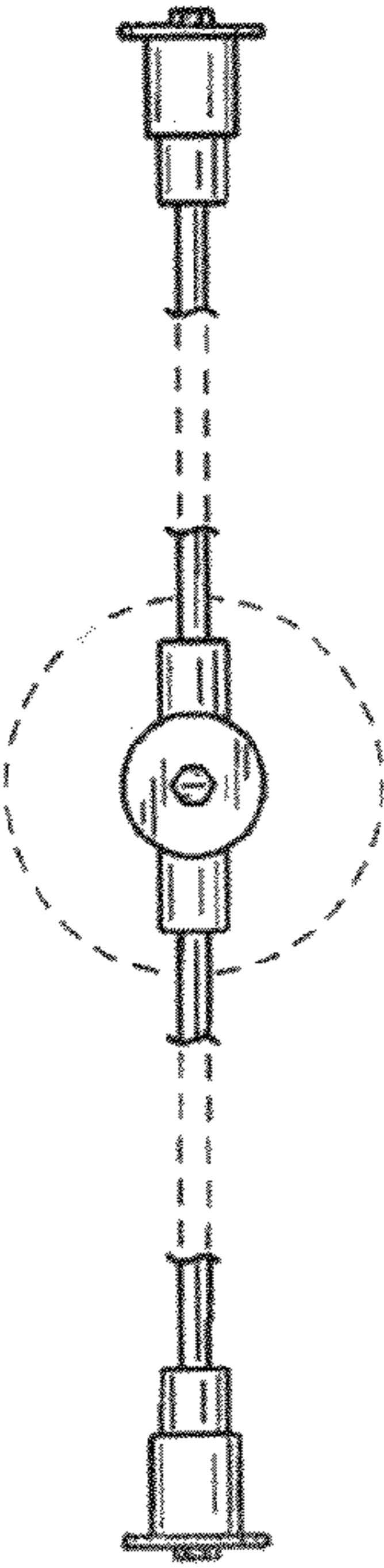


FIG. 2

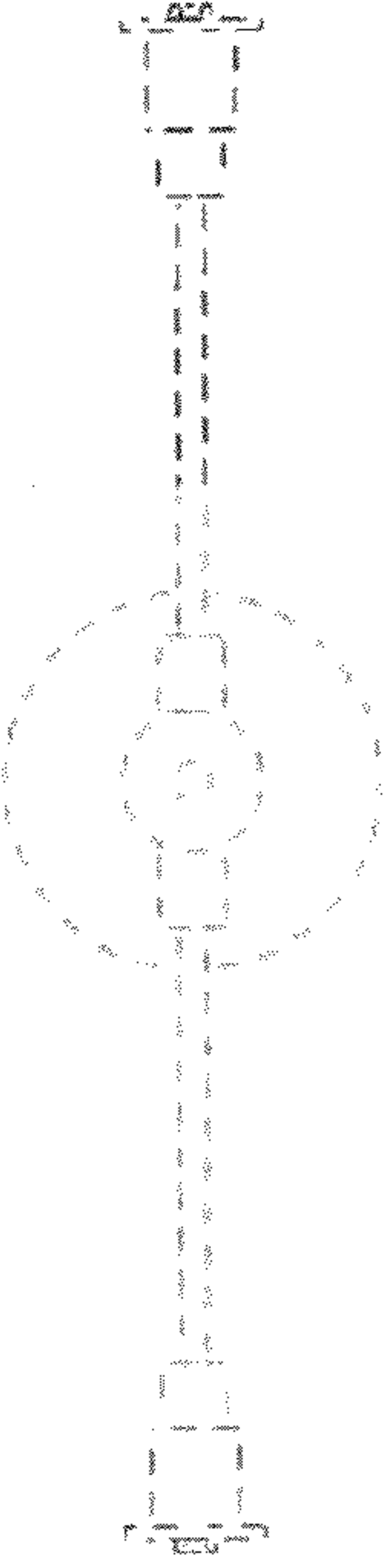


FIG. 3

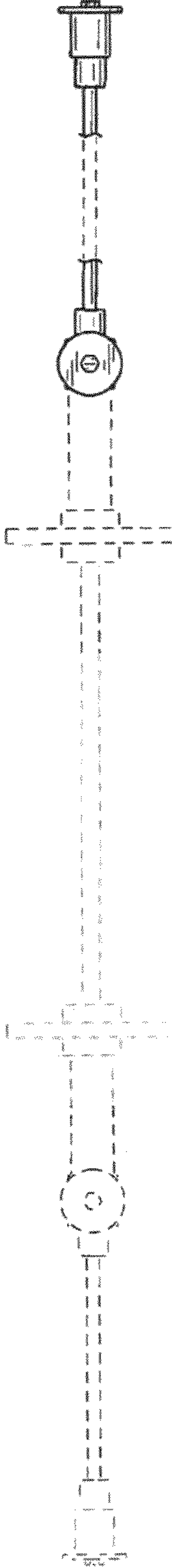


FIG. 4

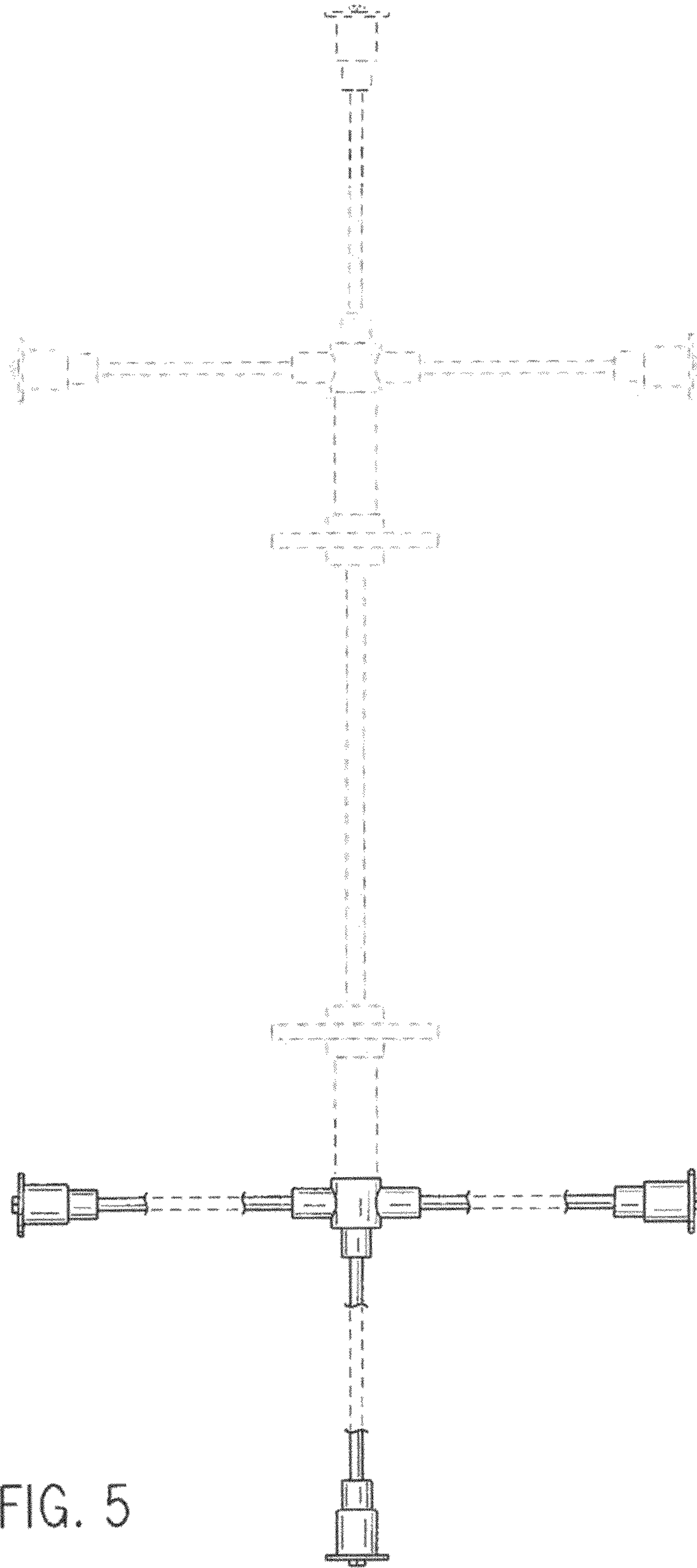


FIG. 5

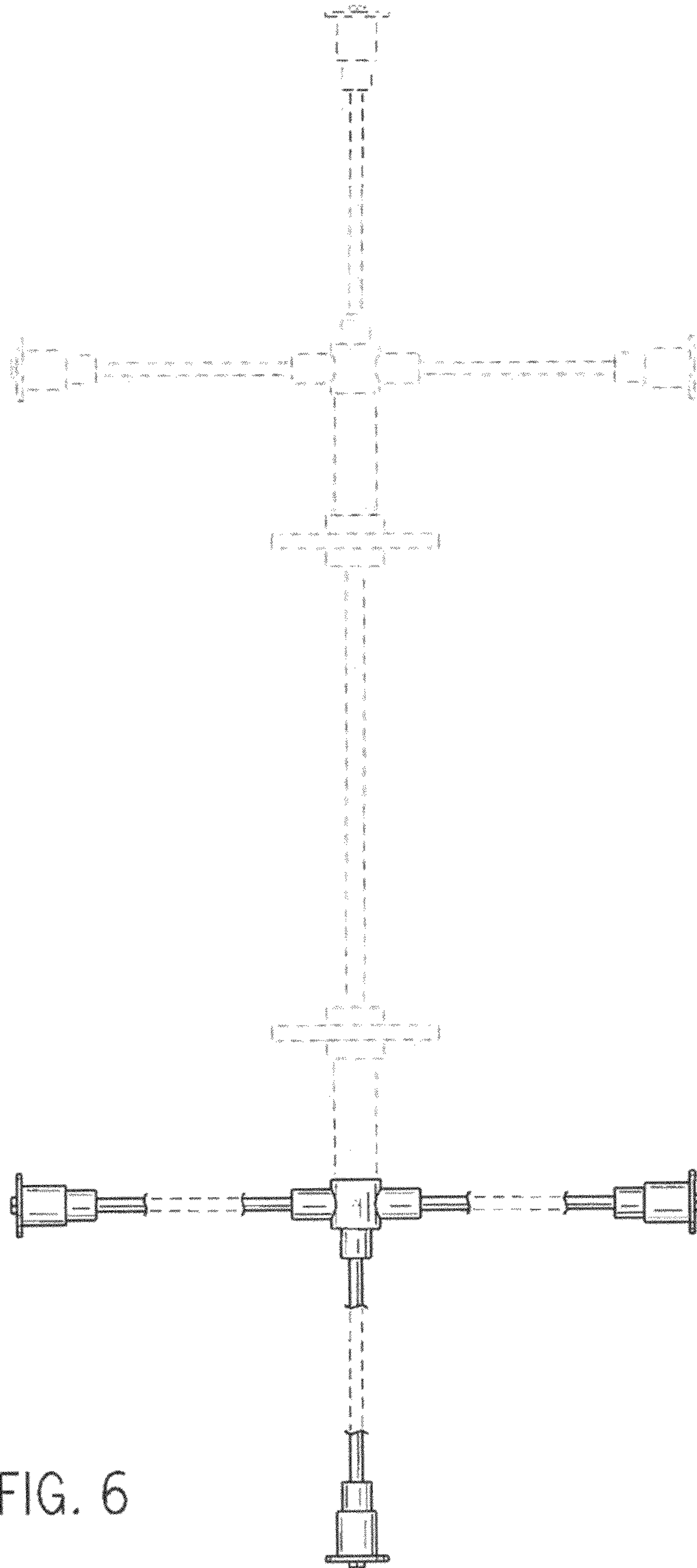


FIG. 6