

US00D754800S

(12) **United States Design Patent**  
**Hu et al.**

(10) **Patent No.:** **US D754,800 S**  
(45) **Date of Patent:** **\*\* \*Apr. 26, 2016**

(54) **BEADED TOY**

(71) Applicants: **Jason Hu**, Brooklyn, NY (US); **Blain Kennedy**, Brooklyn, NY (US)

(72) Inventors: **Jason Hu**, Brooklyn, NY (US); **Blain Kennedy**, Brooklyn, NY (US)

(\*) Notice: This patent is subject to a terminal disclaimer.

(\*\*) Term: **14 Years**

(21) Appl. No.: **29/489,002**

(22) Filed: **Apr. 25, 2014**

(51) **LOC (10) Cl.** ..... **21-01**

(52) **U.S. Cl.**  
USPC ..... **D21/468**

(58) **Field of Classification Search**

USPC ..... D21/334, 337, 350, 392, 393, 397, 398, D21/404, 465, 466, 467, 468, 475, 476, 478, D21/480, 482, 484, 485, 488, 489, 490, 492, D21/493, 495, 576-661, 469-474, 477, D21/481; D11/132-140; D19/59, 62, 64; D20/19, 21, 29, 30, 35; 446/117, 129, 446/131, 137, 138, 227, 489; 273/239, 241, 273/264, 271, 272, 281, 287, 153 R, 157 R, 273/158, 159, 153 S; 434/128, 203, 208, 434/247, 259, 393, 403, 429; D6/673-674.1, 678-678.3, 680.2, D6/680.3, 681.1, 682, 682.5, 682.6, 686, D6/688, 688.24, 696-696.7, 697-697.2, D6/703.1, 703.6, 703.7, 707, 707.1, D6/707.11, 707.16, 707.22, 715, 718.15, D6/718.16, 718.26-718.28, 563, 564  
CPC . A63F 2007/4081; A63F 9/34; A63F 7/3622; A63F 9/0666; A63F 9/0876; A63H 33/00

See application file for complete search history.

(56) **References Cited**

U.S. PATENT DOCUMENTS

1,028,380	A *	6/1912	Okamoto	273/159
2,011,058	A *	8/1935	Krase	273/157 R
D138,229	S *	7/1944	Nudelman	D21/576
D142,021	S *	8/1945	Davidson	D21/542
D143,274	S *	12/1945	Dabrohua	D21/632
D152,864	S *	3/1949	Carlson	D21/408
2,577,309	A *	12/1951	Carwile	446/486
3,581,408	A *	6/1971	Mohier	434/258
3,609,606	A *	9/1971	Podesto	335/209
D251,946	S *	5/1979	Schneider	D6/482
4,719,656	A *	1/1988	Godinet	5/401
D298,956	S *	12/1988	Zinter-Chahin	D21/476
D310,854	S *	9/1990	Slayton et al.	D21/480
D316,730	S *	5/1991	Yoshida	D21/480
D393,889	S *	4/1998	Chesler	D21/468
D397,743	S *	9/1998	Chesler	D21/548
D417,240	S *	11/1999	Jablonski	D19/82
D451,969	S *	12/2001	Chesler	D21/468
D518,409	S *	4/2006	Vaughan	D11/136

(Continued)

*Primary Examiner* — Catherine Tuttle

(74) *Attorney, Agent, or Firm* — Kane Kessler, P.C.; Barry E. Negrin

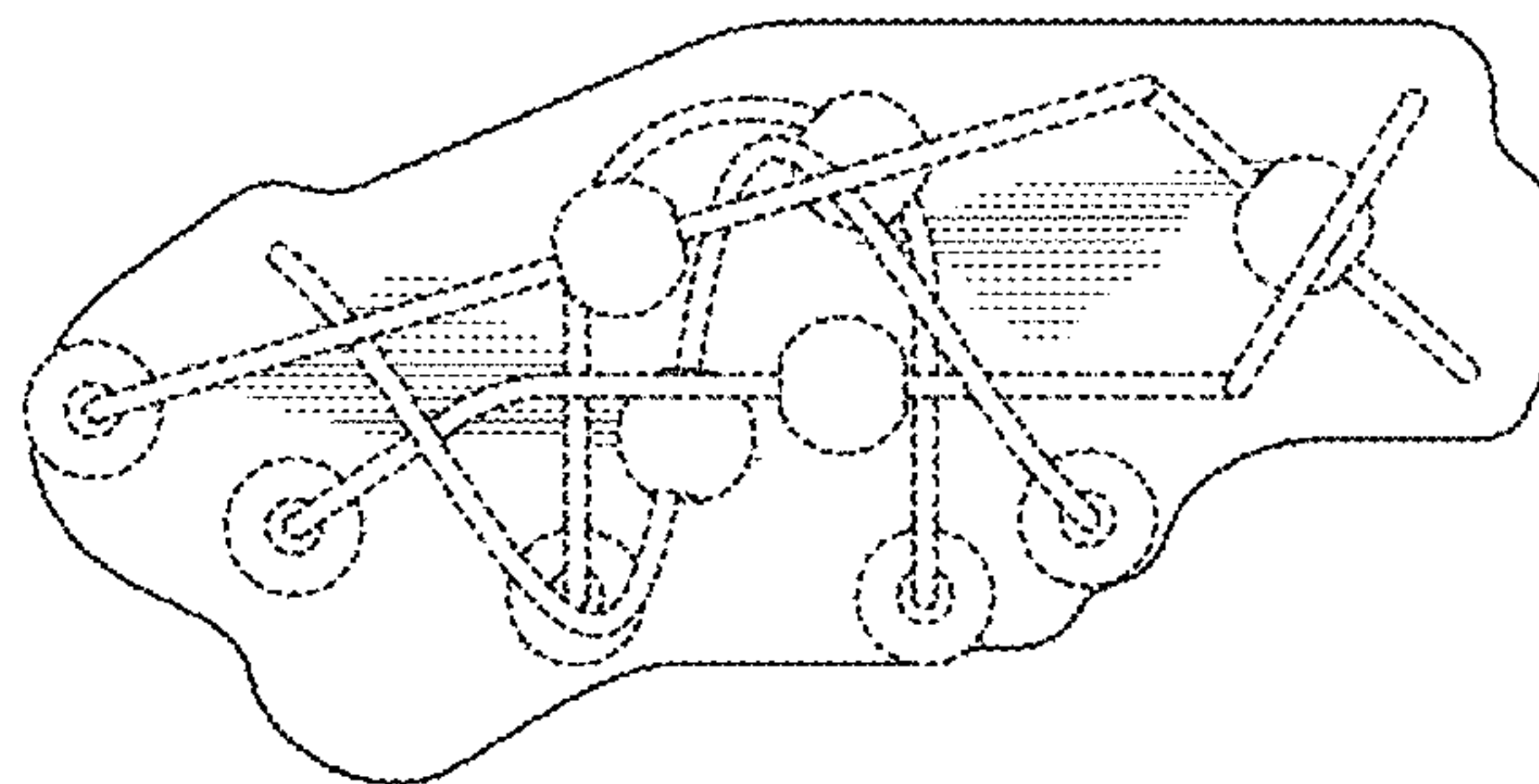
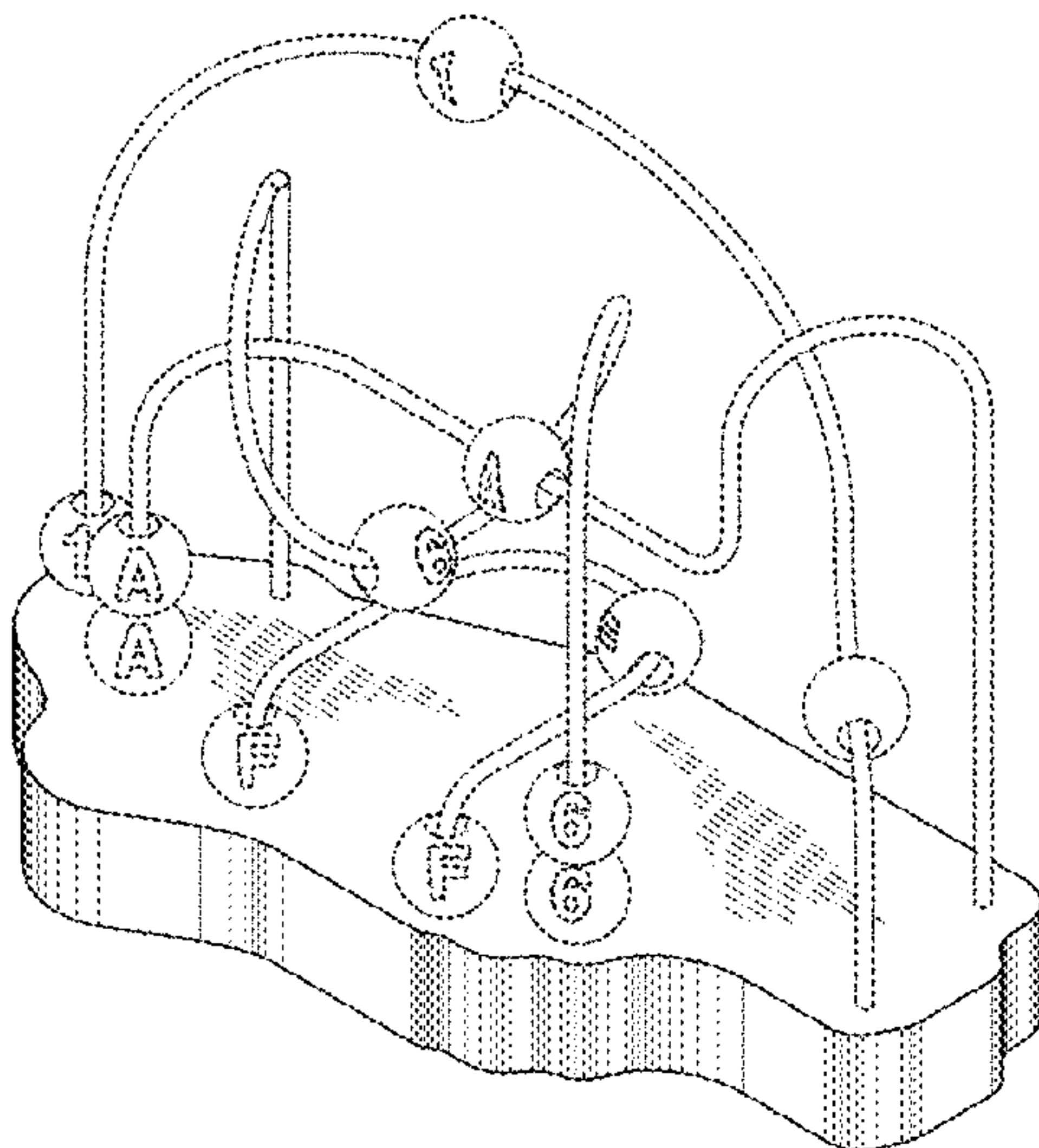
(57) **CLAIM**

The ornamental design for a beaded toy, as shown and described.

**DESCRIPTION**

FIG. 1 is a perspective view of the beaded toy showing our new design;  
FIG. 2 is a right side elevational view thereof;  
FIG. 3 is a left side elevational view thereof;  
FIG. 4 is a front elevational view thereof;  
FIG. 5 is a rear elevational view thereof;  
FIG. 6 is a top plan view thereof; and,  
FIG. 7 is a bottom plan view thereof.  
The broken lines are included for the purpose of illustrating the portions of the beaded toy that form no part of the claimed design.

**1 Claim, 4 Drawing Sheets**



# US D754,800 S

Page 2

---

(56)

## References Cited

### U.S. PATENT DOCUMENTS

D573,664 S *	7/2008	Lu	.....	D21/522	
D712,981 S *	9/2014	Chatzimichalis	.....	D21/480	* cited by examiner
D717,882 S *	11/2014	Chase et al.	.....	D21/468	
2004/0185949 A1 *	9/2004	Bromley	.....	472/135	
2009/0111351 A1 *	4/2009	Krochak et al.	.....	446/137	

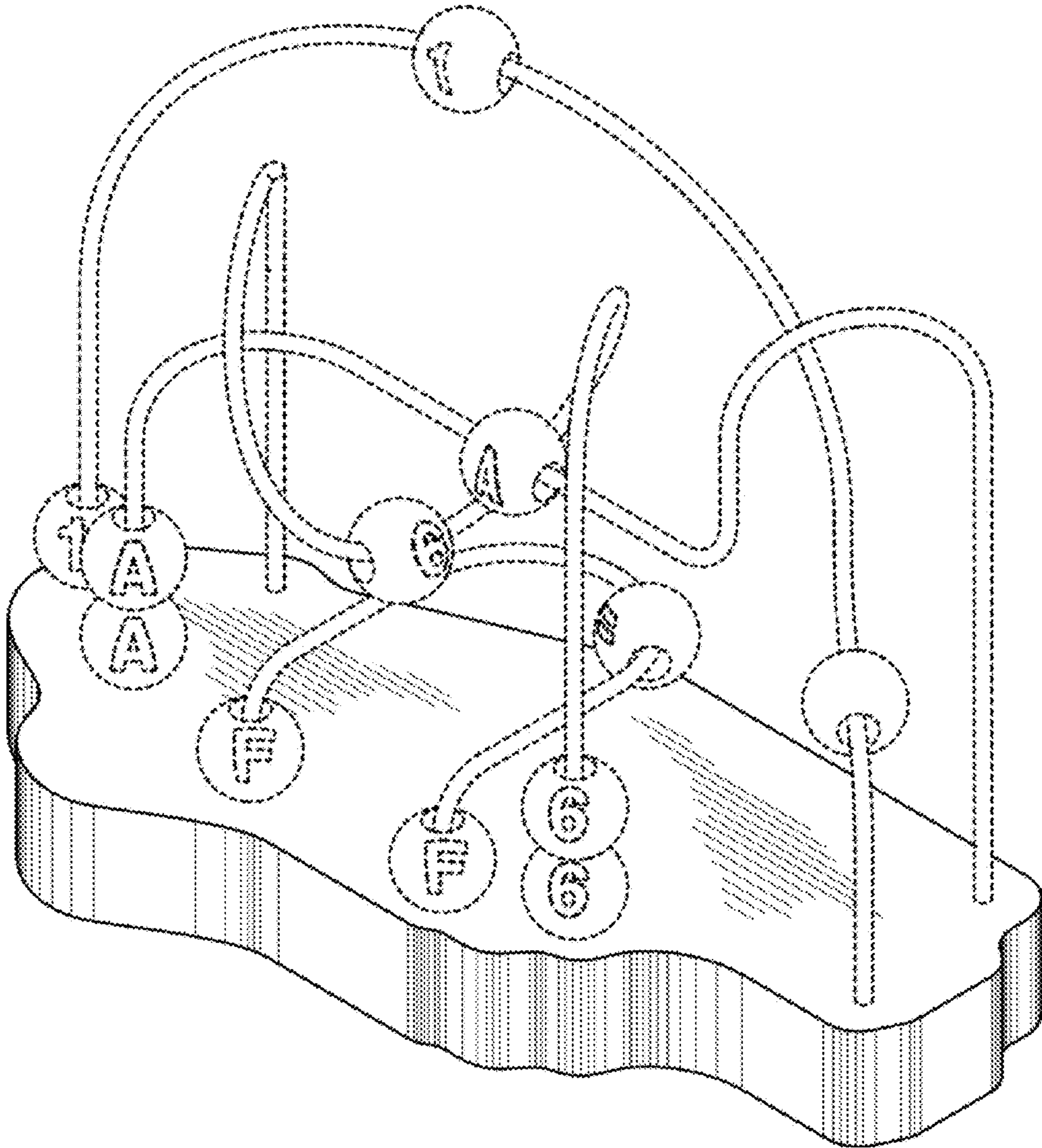


Fig. 1





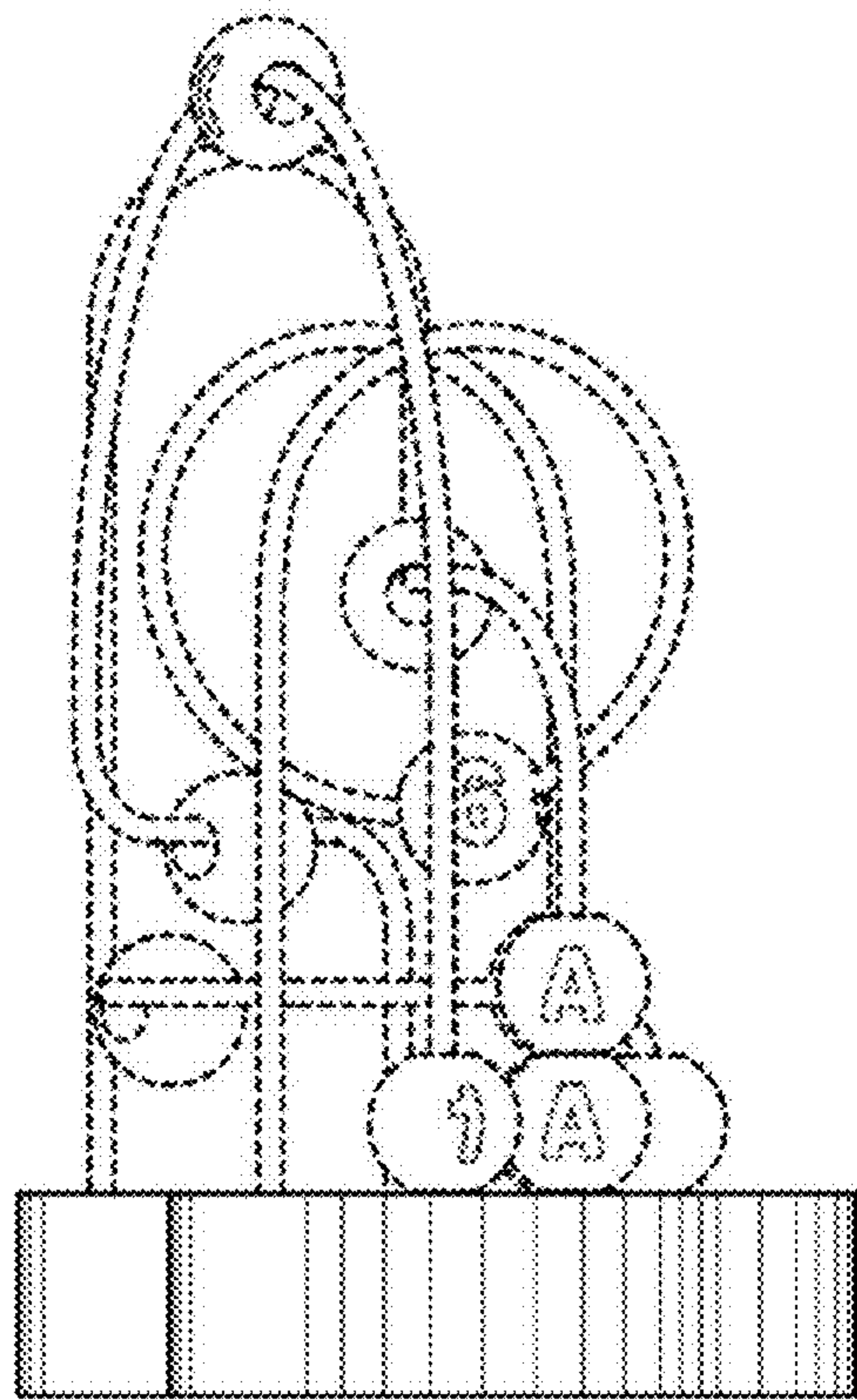


Fig. 4

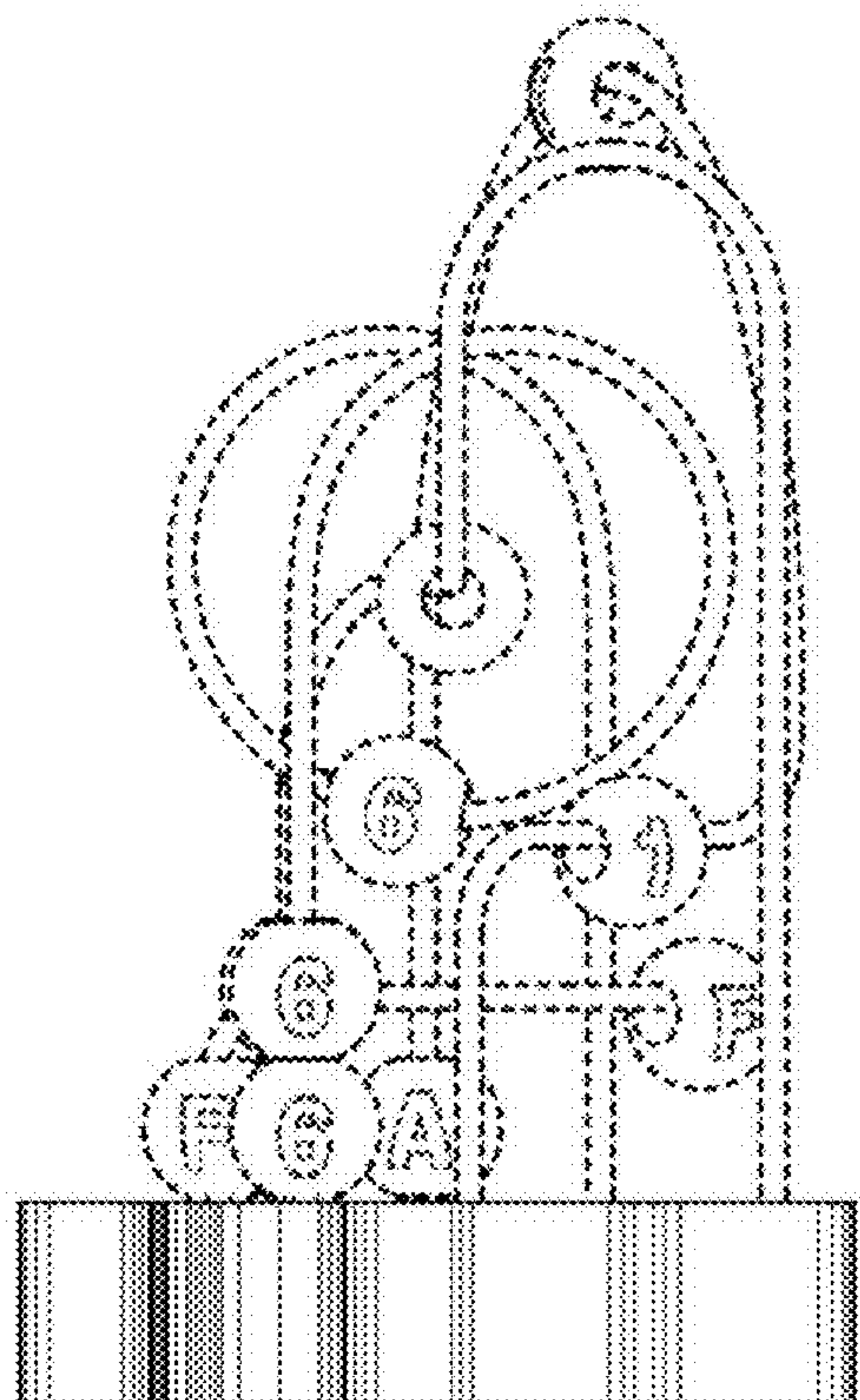


Fig. 5

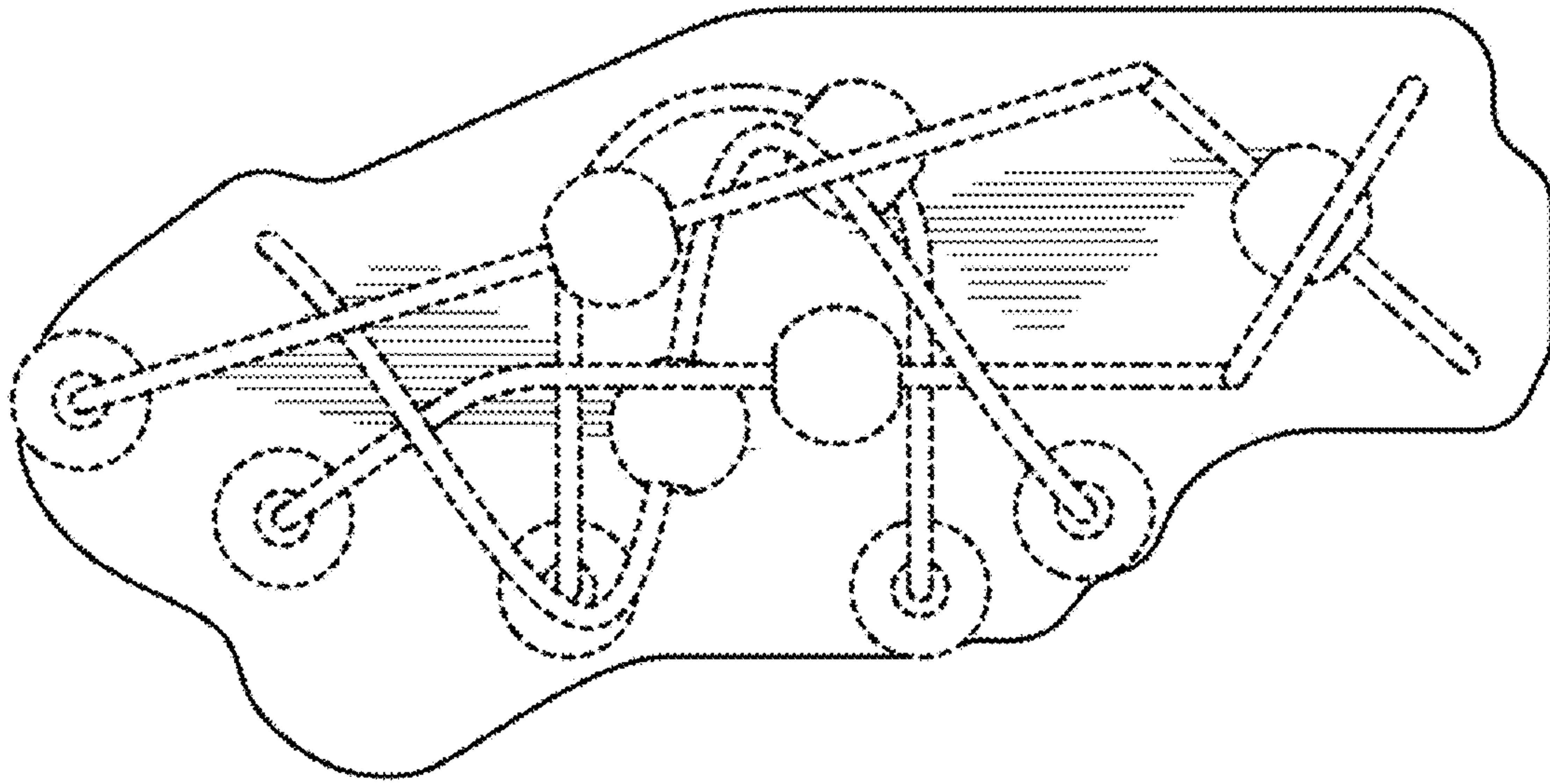


Fig. 6



Fig. 7