



US00D754799S

(12) **United States Design Patent**
Reznik

(10) **Patent No.:** **US D754,799 S**
(45) **Date of Patent:** **** Apr. 26, 2016**

- (54) **RADIO CONTROLLED AIRPLANE**
- (71) Applicant: **RangeVideo, LLC**, North Miami Beach, FL (US)
- (72) Inventor: **Vladimir Reznik**, North Miami Beach, FL (US)
- (73) Assignee: **RangeVideo, LLC**, North Miami Beach, FL (US)
- (**) Term: **15 Years**
- (21) Appl. No.: **29/529,778**
- (22) Filed: **Jun. 10, 2015**

Related U.S. Application Data

- (63) Continuation of application No. 29/453,402, filed on Apr. 29, 2013.
- (51) **LOC (10) Cl.** **21-01**
- (52) **U.S. Cl.**
USPC **D21/453**
- (58) **Field of Classification Search**
USPC D12/16.1, 319, 326, 331, 333, 339, 344,
D12/345; D21/436, 447, 448, 450, 451, 453
CPC B64C 2201/00; B64C 2201/123;
B64C 2201/021; B64C 2201/165
See application file for complete search history.

(56) **References Cited**

U.S. PATENT DOCUMENTS

D87,079 S	5/1932	Pavlecxa	
D143,864 S	2/1946	Northrop	
D144,109 S	3/1946	Hite	
D149,848 S	6/1948	Struck	
D183,657 S *	10/1958	Johnson	D12/340
D191,149 S *	8/1961	Eaton	D12/337
D233,621 S *	11/1974	Campbell	D12/108
D242,994 S *	1/1977	Prokop	D12/342
D245,411 S *	8/1977	Sohda	D12/319

D251,454 S	3/1979	Takahashi	
D281,680 S	12/1985	Henderson	
4,662,588 A	5/1987	Henderson	
D291,215 S	8/1987	Arata	
D310,251 S	8/1990	Kenyan	
D317,287 S *	6/1991	Haga	D12/328
5,026,313 A	6/1991	Meyer	
5,090,636 A	2/1992	Sadowski	
D342,551 S	12/1993	D'Andrade	

(Continued)

OTHER PUBLICATIONS

The RVJET Flying Wing Platform. dated 2015. found online [Sep. 1, 2015]. <http://www.rangevideo.com/rvjet/1-rvjet-fpv-flying-wing-1950mm-kit.html>.*

Primary Examiner — Robert M Spear
Assistant Examiner — Marissa J Cash
(74) *Attorney, Agent, or Firm* — Max Kaganov, PA

(57) **CLAIM**

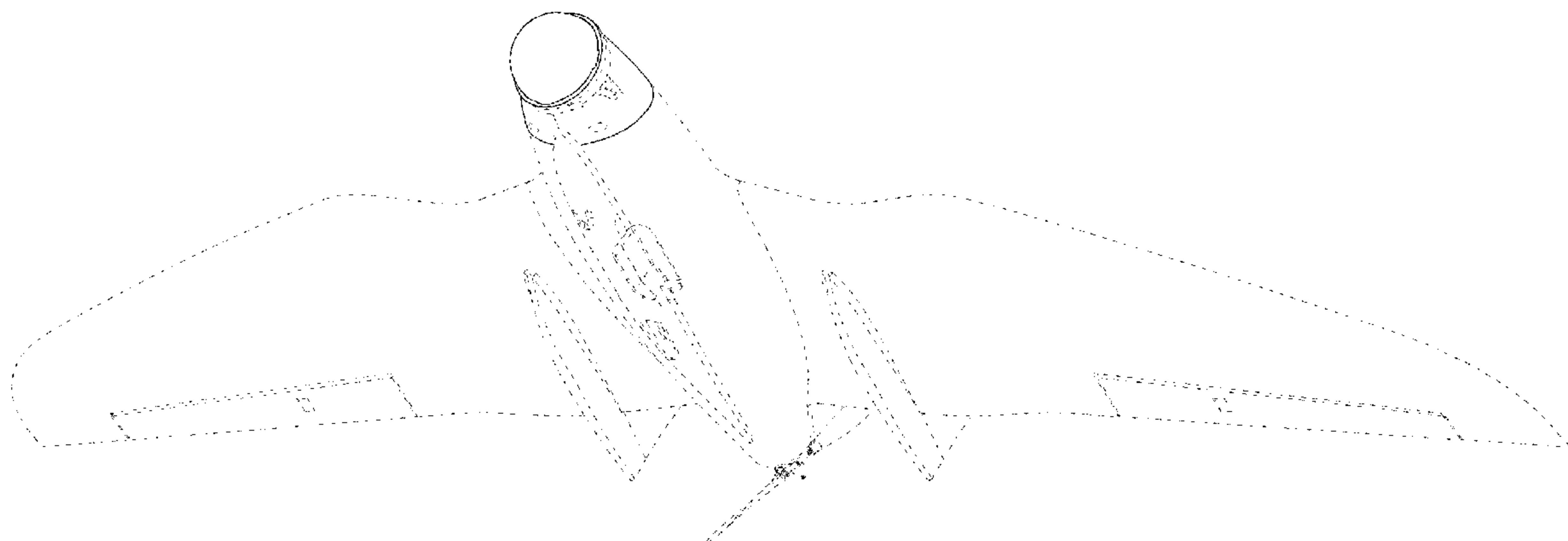
The ornamental design for a radio controlled airplane, as shown and described.

DESCRIPTION

FIG. 1 is a bottom plan view of a radio controlled airplane, showing my design;
FIG. 2 is a front elevational view thereof;
FIG. 3 is a top plan view thereof;
FIG. 4 is a rear elevational view thereof;
FIG. 5 is a bottom-right-front perspective view thereof;
FIG. 6 is a top-right-rear perspective view thereof;
FIG. 7 is an enlarged partial view of the nose portion of FIG. 1; and,
FIG. 8 is an enlarged partial view of the nose portion of FIG. 2.

The structural features depicted by broken lines have been shown for the purpose of illustrating portions of the radio controlled airplane that form no part of the claimed design.

1 Claim, 7 Drawing Sheets



(56)

References Cited

U.S. PATENT DOCUMENTS

D367,253 S 2/1996 Albion
5,526,764 A 6/1996 Jacobson
D383,505 S * 9/1997 Wise D21/453
D388,392 S 12/1997 McGinnis
D396,685 S 8/1998 Baumgartner
D410,503 S 6/1999 Rosz
D500,282 S * 12/2004 Aruga D12/319

7,303,166 B2 12/2007 Geery
D619,076 S * 7/2010 Guering D12/343
D624,132 S * 9/2010 Cheng D21/451
D630,996 S * 1/2011 Gall D12/319
D635,083 S * 3/2011 DeLaurier D12/319
D640,962 S * 7/2011 Guering D12/345
D642,111 S 7/2011 Saint-Jalmes
D649,506 S * 11/2011 Morelli D12/319
D678,171 S * 3/2013 Amante D12/326
D734,402 S * 7/2015 Reznik D12/16.1
* cited by examiner

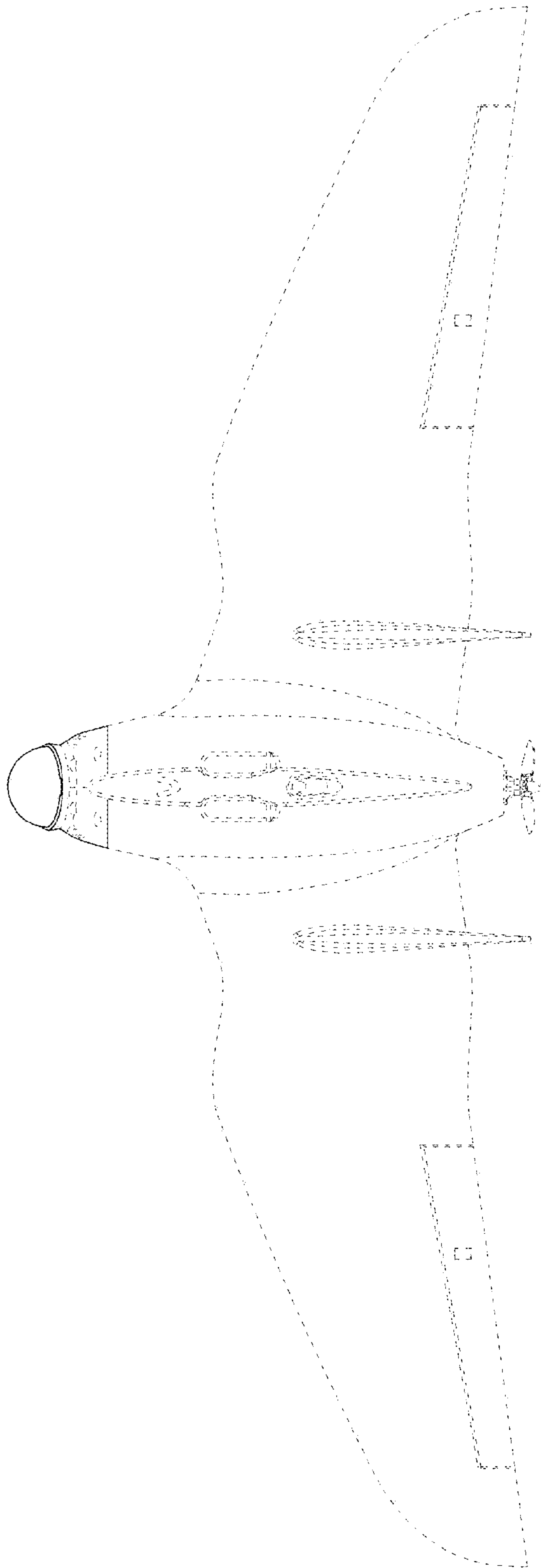


FIG. 1

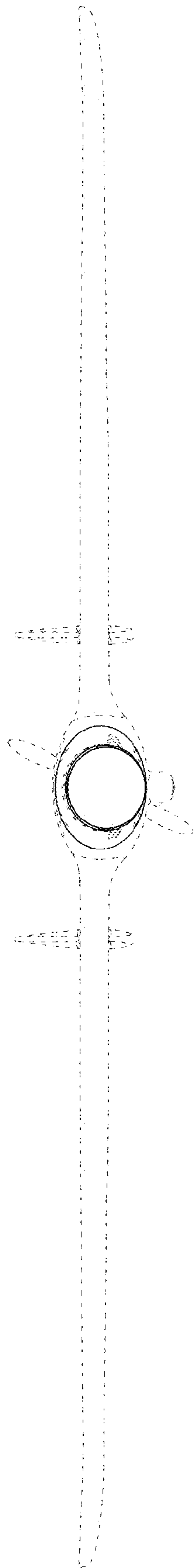


FIG. 2

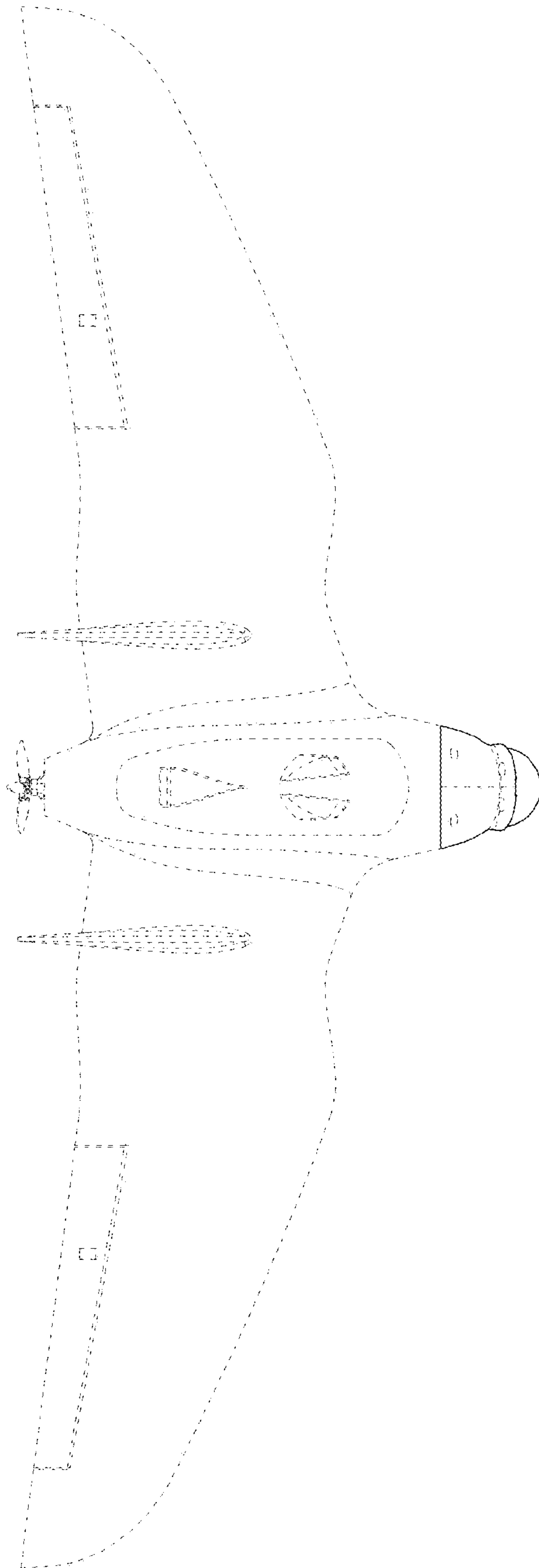


FIG. 3

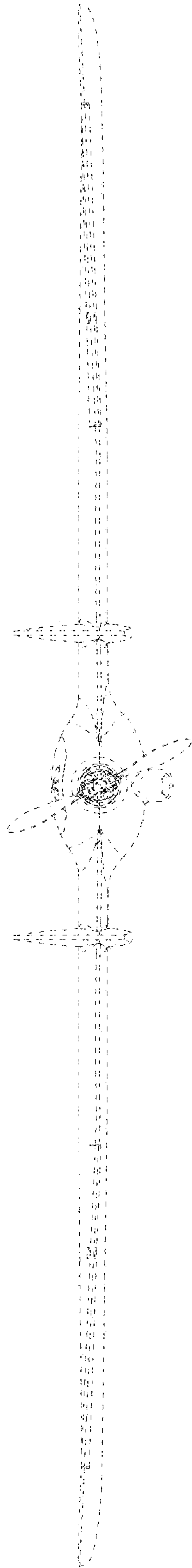


Fig. 4

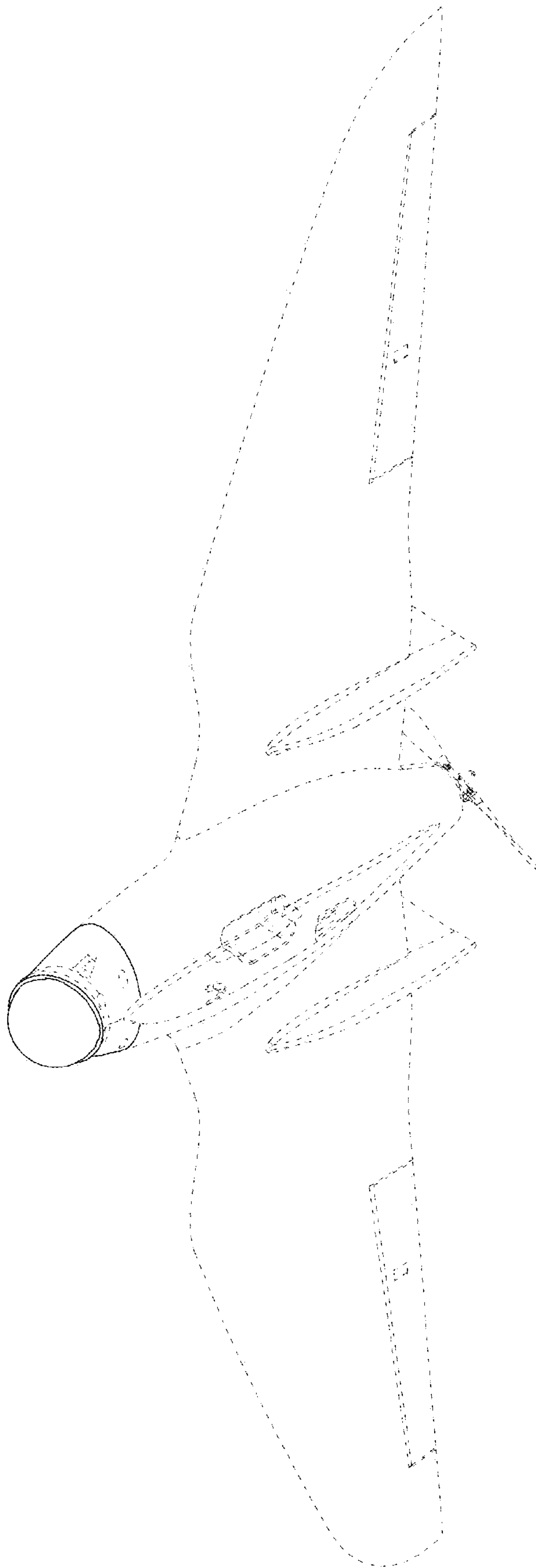


FIG. 5

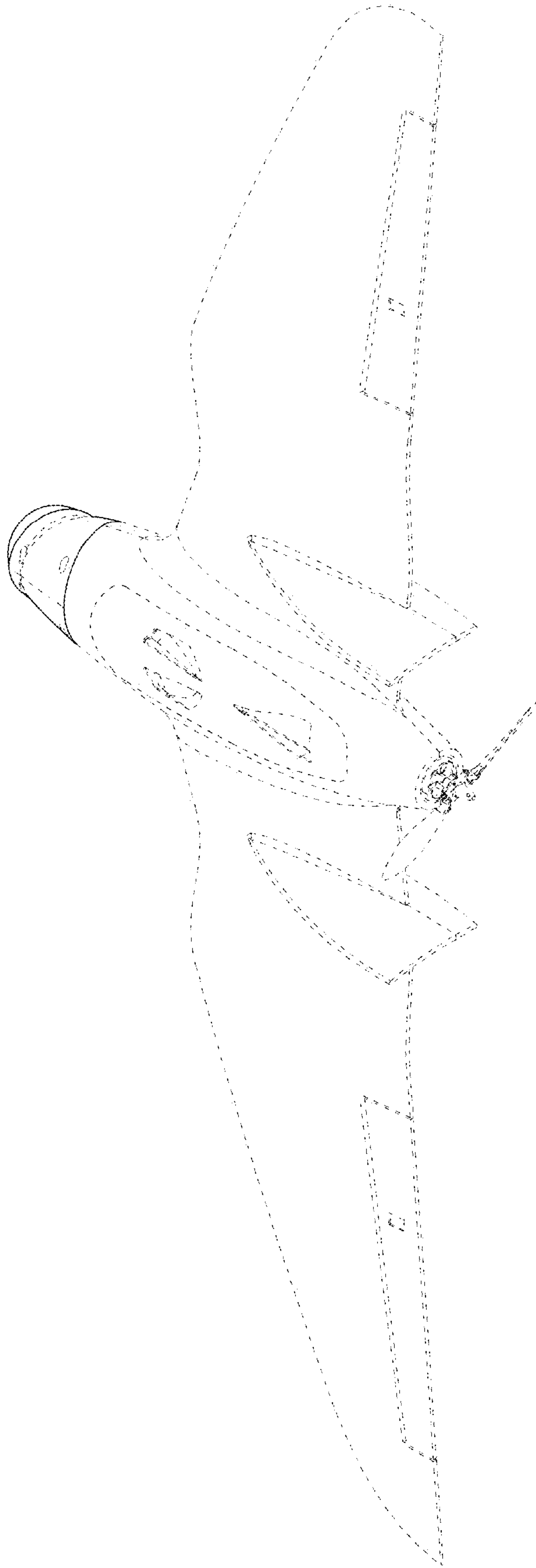


Fig. 6

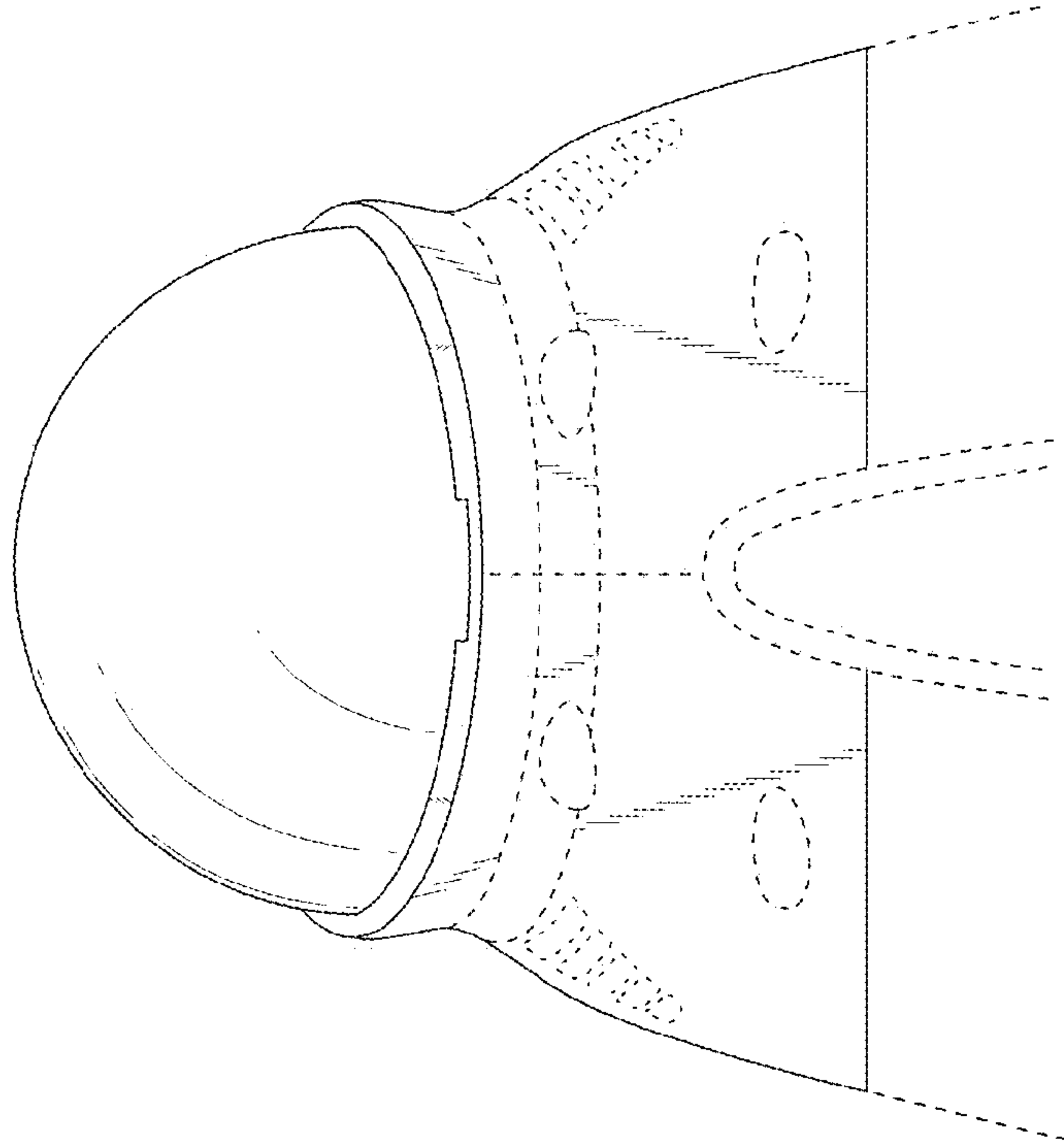


Fig. 7

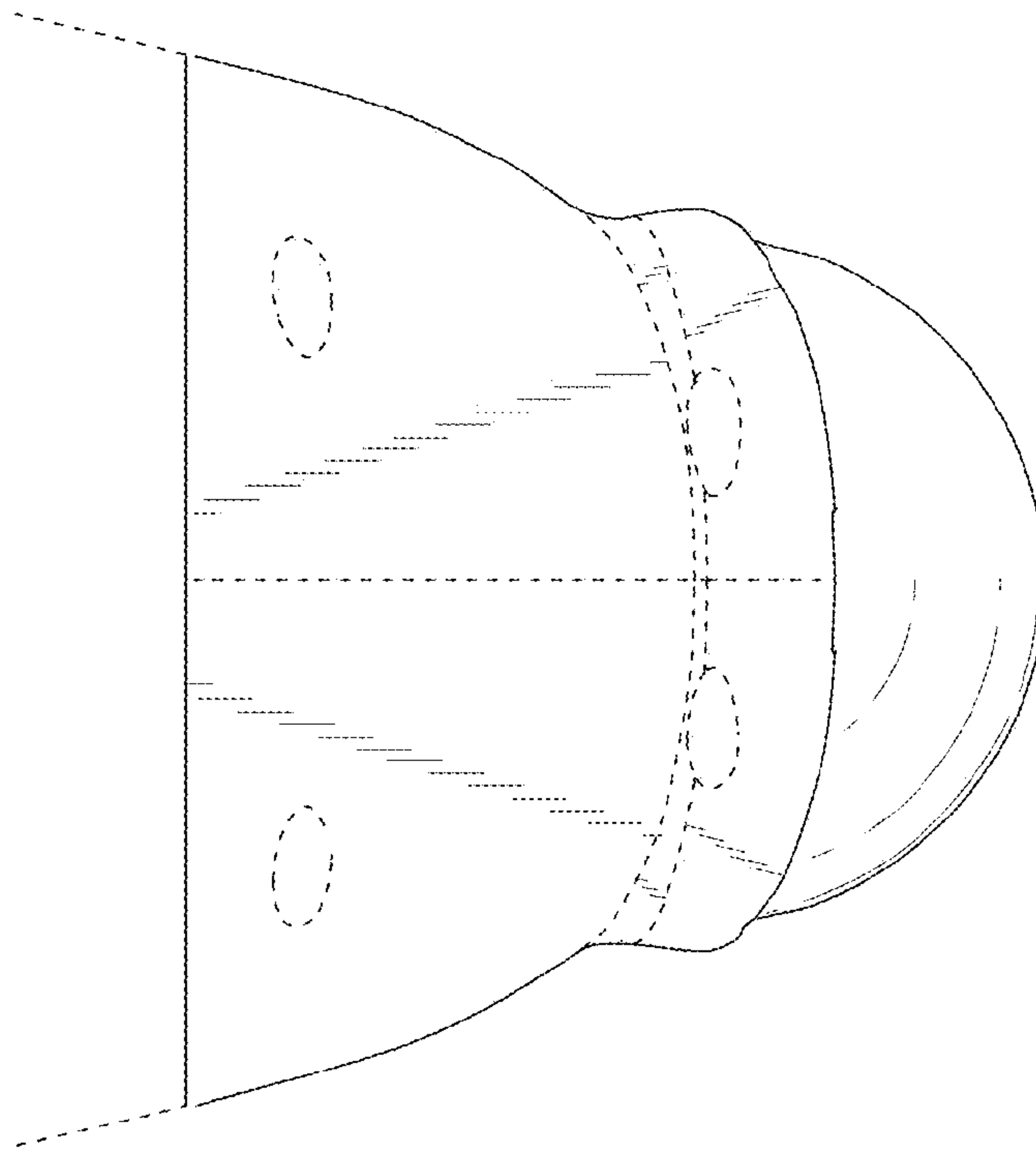


Fig. 8