



US00D754796S

(12) **United States Design Patent**
Sakai et al.

(10) **Patent No.:** **US D754,796 S**

(45) **Date of Patent:** **** Apr. 26, 2016**

(54) **CONTROLLER FOR GAME MACHINE**

(56) **References Cited**

(71) Applicant: **BANDAI NAMCO GAMES INC.**,
Tokyo (JP)

(72) Inventors: **Tsuyoshi Sakai**, Yokohama (JP); **Yasuji Fukutomi**, Tokyo (JP); **Jun Arai**, Tokyo (JP); **Kiwamu Nakamura**, Yokohama (JP); **Shoichiro Akamatsu**, Kamakura (JP)

U.S. PATENT DOCUMENTS

3,655,192	A *	4/1972	Hall	F41G 3/2683 200/34
4,811,955	A *	3/1989	De Bernardini	F41A 19/16 124/32
5,253,068	A *	10/1993	Crook	H03J 1/0025 340/12.22
5,569,085	A *	10/1996	Igarashi	A63F 9/0291 434/18
D385,586	S *	10/1997	Hanatani	D14/418
D386,543	S *	11/1997	Chikui	D14/418
D398,661	S *	9/1998	Lee	D21/333
D436,108	S *	1/2001	Lee	D14/418
D444,786	S *	7/2001	Otomi	D14/418
D467,926	S *	12/2002	Lin	D14/418
D472,241	S *	3/2003	Kim	D14/418
D521,568	S *	5/2006	Hussaini	D14/418
D618,687	S	6/2010	Ito	
D646,281	S *	10/2011	Markowitz	D14/418

(73) Assignee: **BANDAI NAMCO ENTERTAINMENT, INC.**, Tokyo (JP)

(**) Term: **14 Years**

(21) Appl. No.: **29/512,748**

(22) Filed: **Dec. 22, 2014**

(30) **Foreign Application Priority Data**

Nov. 28, 2014 (EM) 002587410-0001

(51) **LOC (10) Cl.** **21-01**

(52) **U.S. Cl.**
USPC **D21/333; D14/418**

(58) **Field of Classification Search**
USPC D14/218, 432, 356, 358.44, 400, 401, D14/418; D21/332, 333, 324, 328; 273/148 B; 463/1, 29-47, 49-51; D3/218, 301; 361/807-810; 248/689, 248/690, 309.1, 314, 346.01, 346.03, 248/346.06, 346.04; 206/320, 305; 434/18-24; 446/473
CPC A63F 9/02; A63F 9/24; A63F 13/00; A63F 13/04; A63H 5/04; F41J 5/02

See application file for complete search history.

OTHER PUBLICATIONS

Jan. 4, 2010 Office Action issued in U.S. Appl. No. 29/333,593.

* cited by examiner

Primary Examiner — Prabhakar Deshmukh

(74) *Attorney, Agent, or Firm* — Oliff PLC

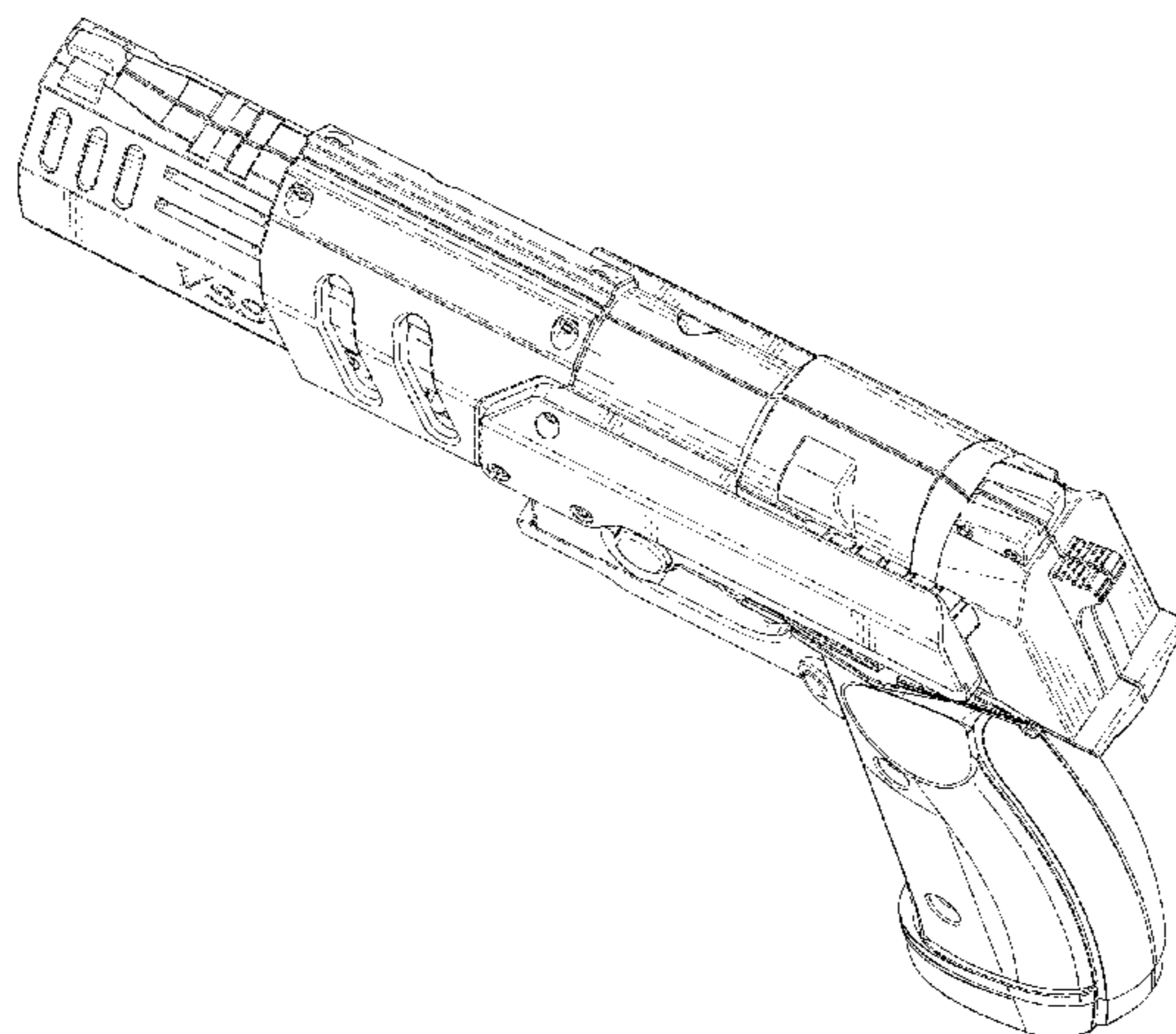
(57) **CLAIM**

The ornamental design for a controller for game machine, as shown and described.

DESCRIPTION

FIG. 1 is a rear, top, right-side perspective view of the controller for game machine;
FIG. 2 is a front elevational view thereof;
FIG. 3 is a top plan view thereof;
FIG. 4 is a right-side elevational view thereof;
FIG. 5 is a left-side elevational view thereof;
FIG. 6 is a rear elevational view thereof; and,
FIG. 7 is a bottom plan view thereof.
The broken lines depict environmental subject matter only and form no part of the claimed design.

1 Claim, 7 Drawing Sheets



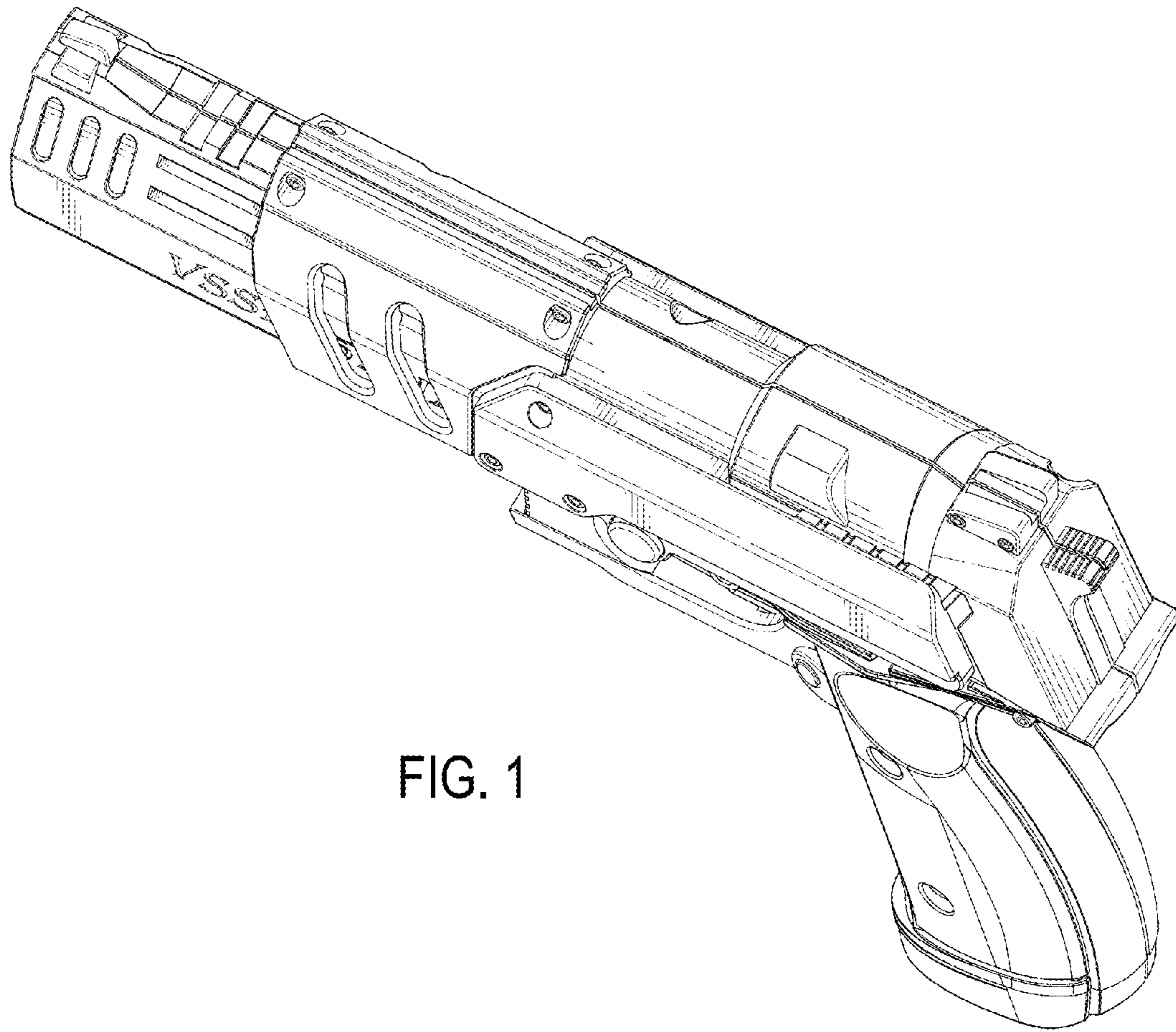


FIG. 1

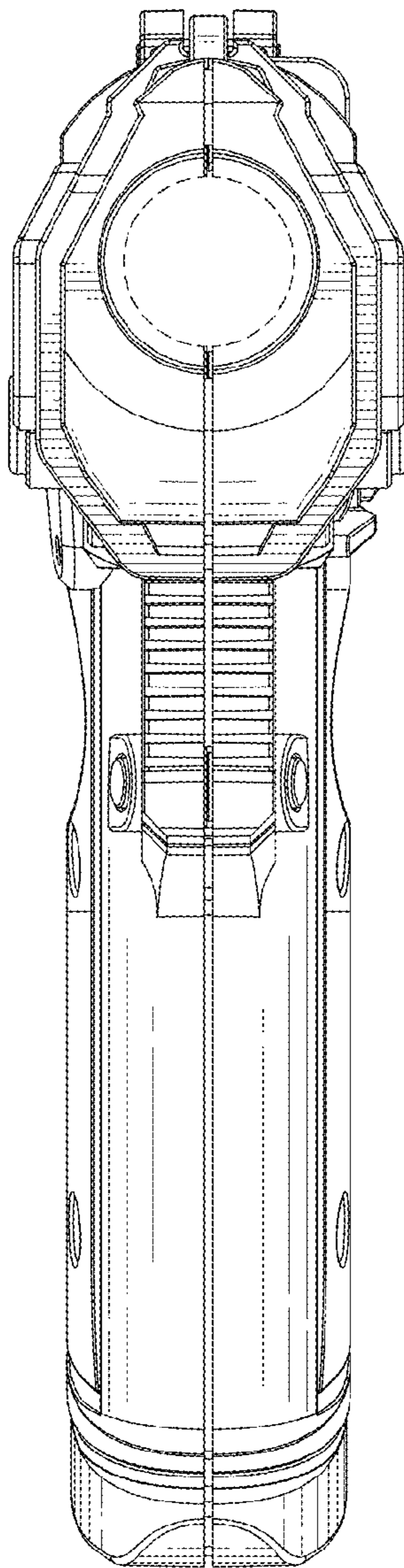


FIG. 2

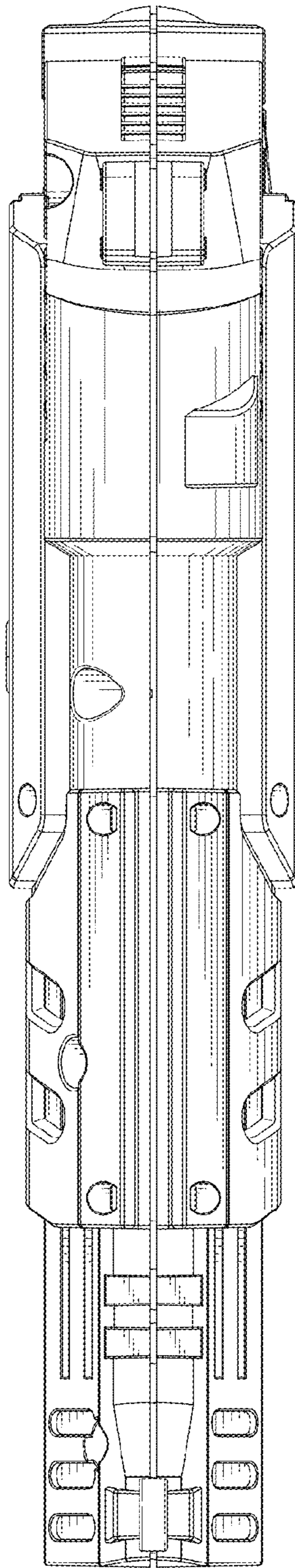


FIG. 3

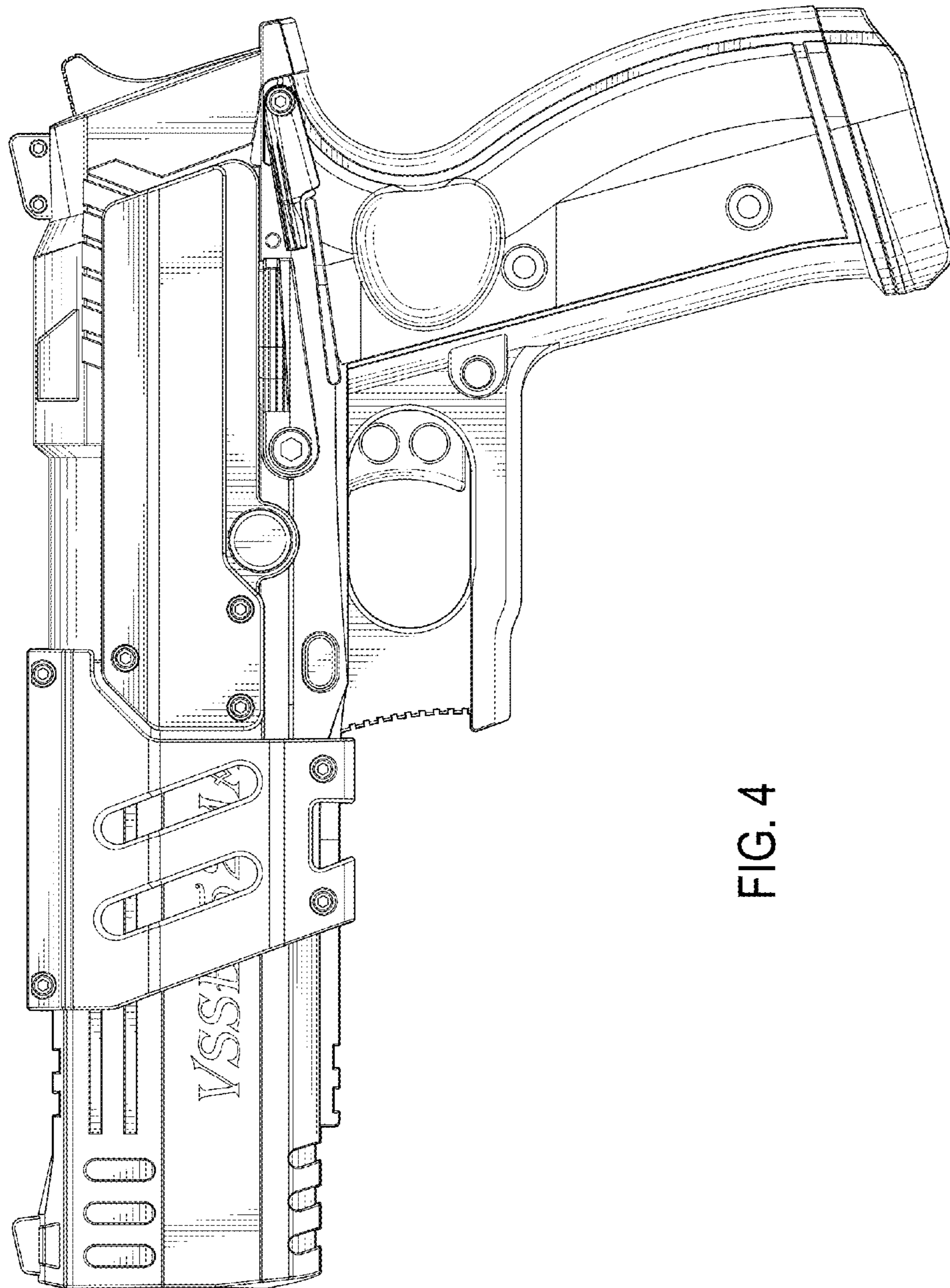


FIG. 4

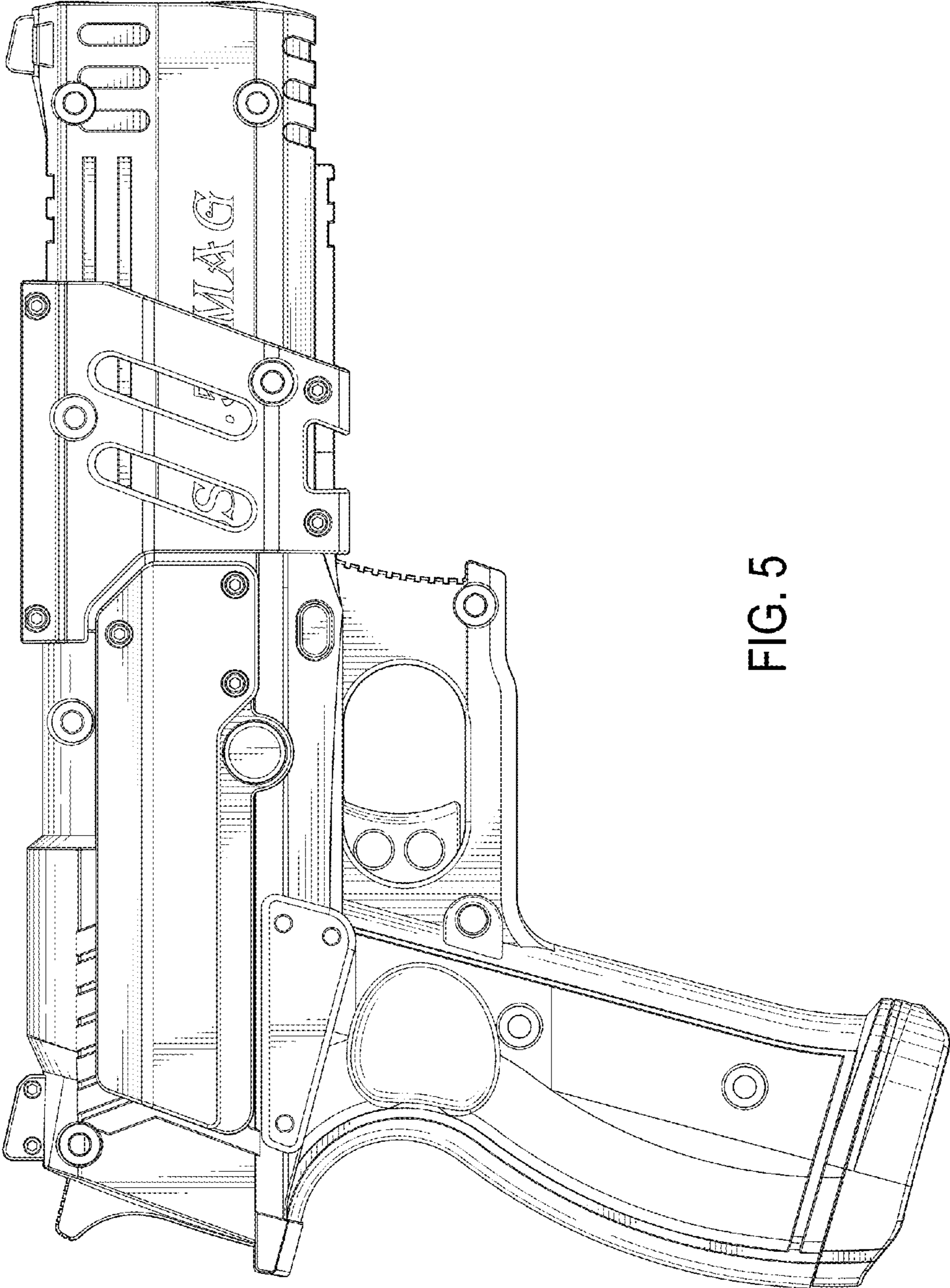


FIG. 5

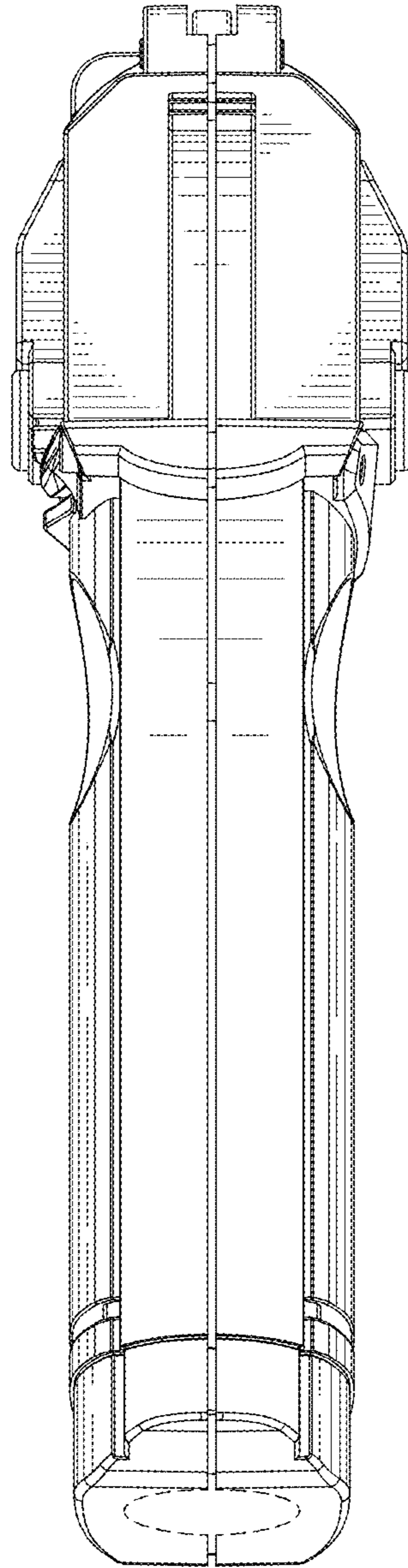


FIG. 6

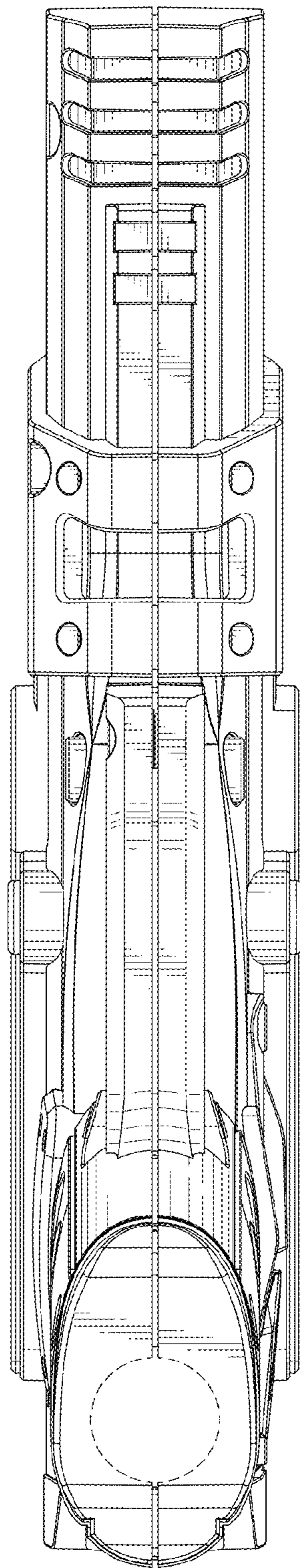


FIG. 7