



US00D754789S

(12) **United States Design Patent**  
**Matsushita et al.**

(10) **Patent No.:** **US D754,789 S**  
(45) **Date of Patent:** **\*\* Apr. 26, 2016**

- (54) **CARTRIDGE FOR INK JET PRINTER**
- (71) Applicant: **Hitachi Industrial Equipment Systems Co., Ltd.**, Tokyo (JP)
- (72) Inventors: **Takehiko Matsushita**, Tokyo (JP); **Takahiro Arima**, Tokyo (JP); **Naomichi Yoshida**, Tokyo (JP); **Akira Miyao**, Tokyo (JP); **Nobuhiro Harada**, Tokyo (JP); **Akira Maeda**, Tokyo (JP)
- (73) Assignee: **HITACHI INDUSTRIAL EQUIPMENT SYSTEMS CO., LTD.**, Tokyo (JP)

6,367,521	B2 *	4/2002	Dyer	.....	B67D 1/0832
					141/346
D472,145	S *	3/2003	Nottingham	.....	D9/443
6,550,894	B2 *	4/2003	Ueno	.....	B41J 2/17509
					347/86
D480,973	S *	10/2003	Nottingham	.....	D9/531
D482,390	S *	11/2003	Ueno	.....	D18/56
D563,228	S *	3/2008	Nottingham	.....	D9/531
D573,475	S *	7/2008	Nottingham	.....	D9/531
D614,958	S *	5/2010	Smith	.....	D9/516
D615,584	S *	5/2010	Jimba	.....	D18/43
D616,748	S *	6/2010	Nakamura	.....	D9/443
D621,706	S *	8/2010	Breckan	.....	D9/443
D636,813	S *	4/2011	Kikuchi	.....	D18/43
D656,181	S *	3/2012	Kikuchi	.....	D18/43
D683,788	S *	6/2013	Kurokawa	.....	D18/43

(Continued)

- (\*\*) Term: **14 Years**
- (21) Appl. No.: **29/497,036**
- (22) Filed: **Jul. 21, 2014**
- (30) **Foreign Application Priority Data**

Jan. 29, 2014 (JP) ..... 2014-001696

- (51) **LOC (10) Cl.** ..... **18-02**
- (52) **U.S. Cl.**  
USPC ..... **D18/56**; D9/516; D9/551; D9/564
- (58) **Field of Classification Search**  
USPC ..... D18/12, 40, 43-44, 56; D9/443,  
D9/453-454, 551, 564, 516; 347/84-87,  
347/214; 360/132  
CPC .... B41J 2/175; B41J 2/17513; B41J 2/17546;  
B41J 17/32  
See application file for complete search history.

(56) **References Cited**

**U.S. PATENT DOCUMENTS**

3,807,679	A *	4/1974	Burke	.....	A61M 5/1417
					215/399
D298,514	S *	11/1988	Dole	.....	D9/571
5,715,877	A *	2/1998	Sandor	.....	B67D 3/0019
					141/302
D395,058	S *	6/1998	Montes	.....	D18/40

*Primary Examiner* — Cathy Anne MacCormac  
(74) *Attorney, Agent, or Firm* — Baker Botts L.L.P.

(57) **CLAIM**

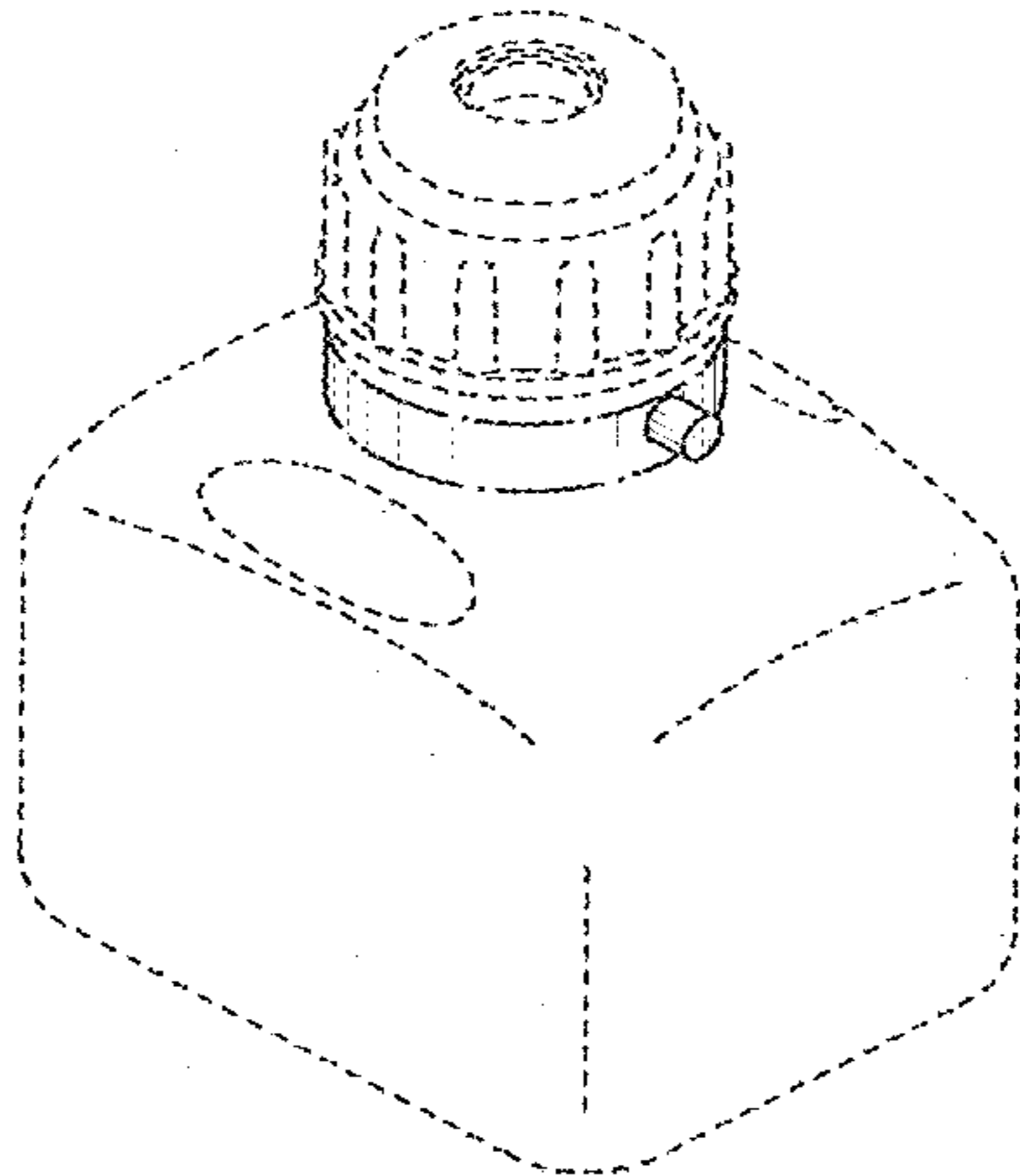
We claim the ornamental design for a cartridge for ink jet printer, as shown and described.

**DESCRIPTION**

FIG. 1 is a perspective view of a cartridge for ink jet printer showing our new design;  
 FIG. 2 is a front elevational view thereof;  
 FIG. 3 is a right side elevational view thereof;  
 FIG. 4 is a left side elevational view thereof;  
 FIG. 5 is a top plan view thereof;  
 FIG. 6 is a bottom plan view thereof;  
 FIG. 7 is a rear elevational view thereof;  
 FIG. 8 is a cross-sectional view taken along line 8-8 on FIG. 2; and,  
 FIG. 9 is a cross-sectional view taken along line 8-8 on FIG. 3.

The equally spaced broken lines depict environmental subject matter and form no part of the claimed design. The chain lines indicate the borders between the claimed portion and the non-claimed portion, are for illustration only and form no part of the claimed design.

**1 Claim, 9 Drawing Sheets**



# US D754,789 S

Page 2

---

(56)

## References Cited

### U.S. PATENT DOCUMENTS

D698,860 S *	2/2014	Kurokawa .....	D18/43	* cited by examiner
D718,382 S *	11/2014	Kikuchi .....	D18/43	
D722,642 S *	2/2015	Wada .....	D18/56	
D735,804 S *	8/2015	Wang .....	D18/43	

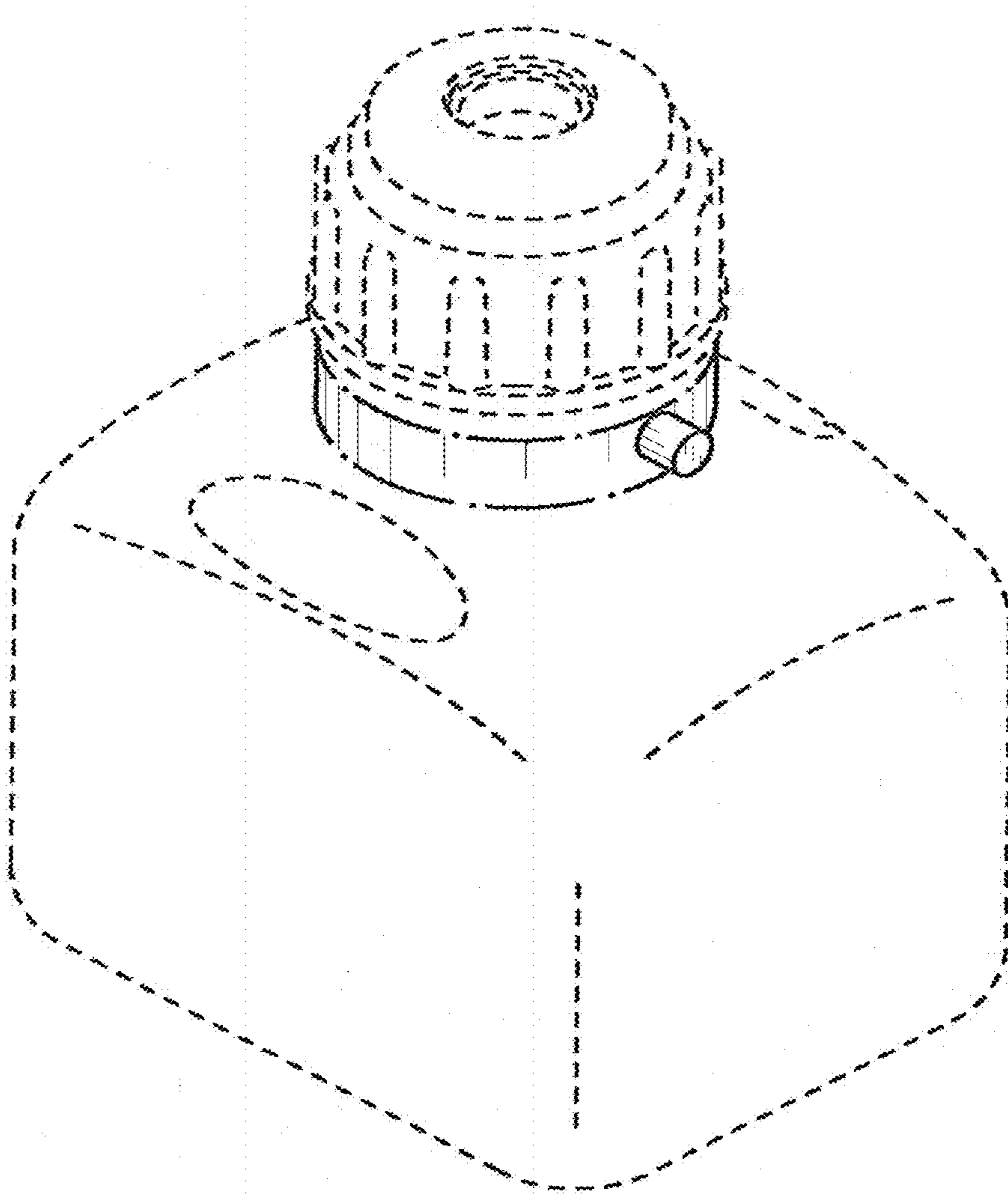


FIG. 1

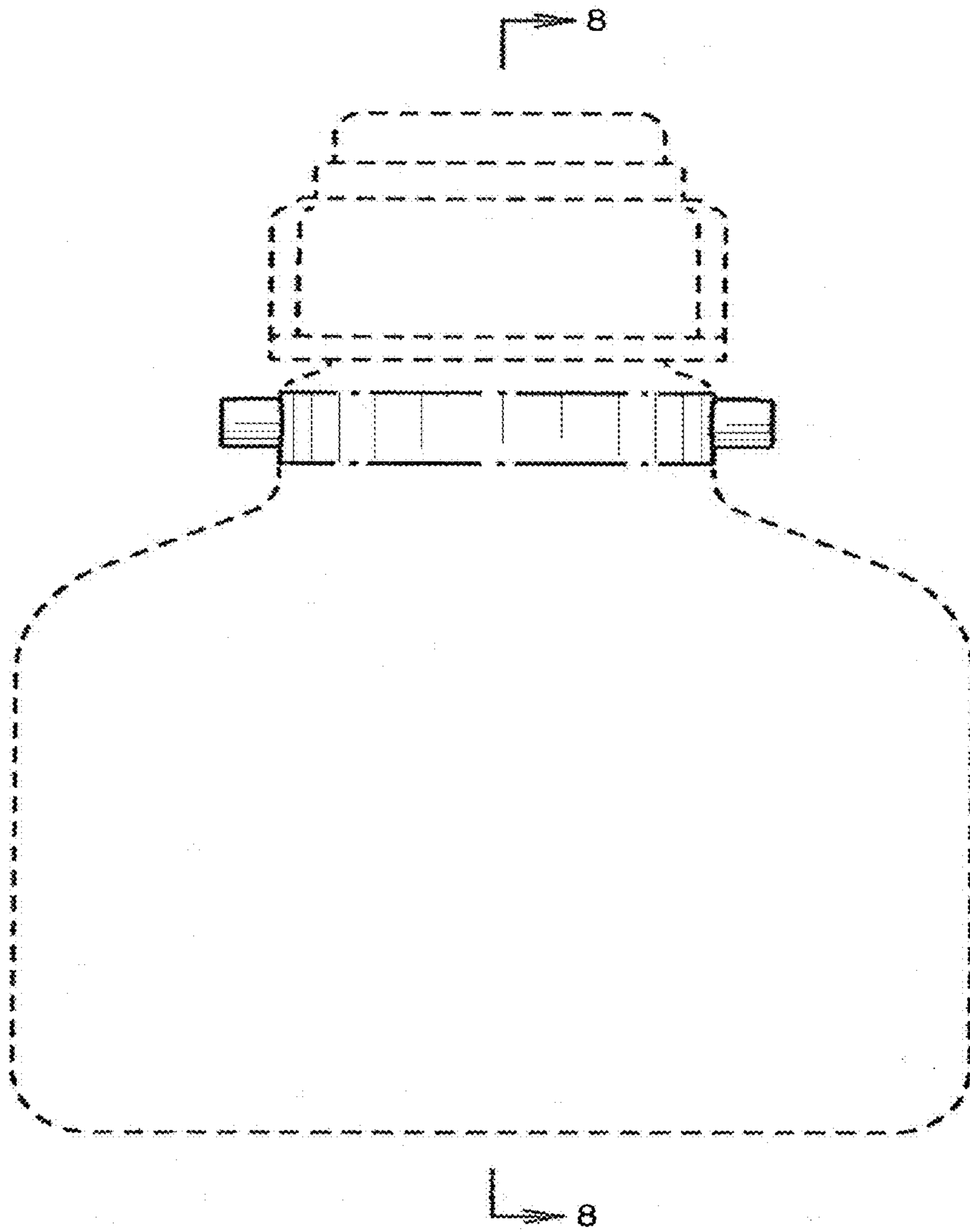


FIG.2

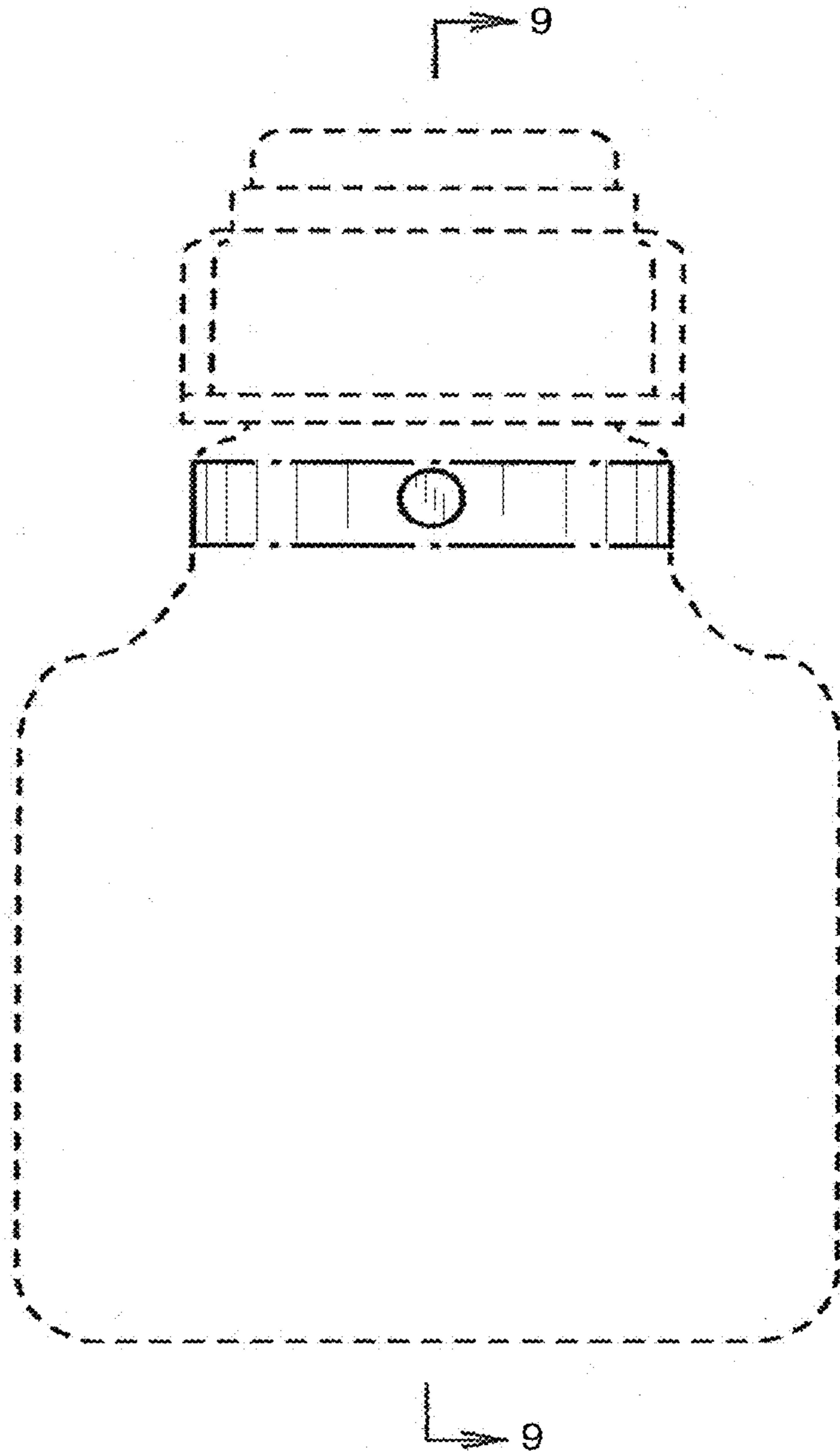


FIG.3

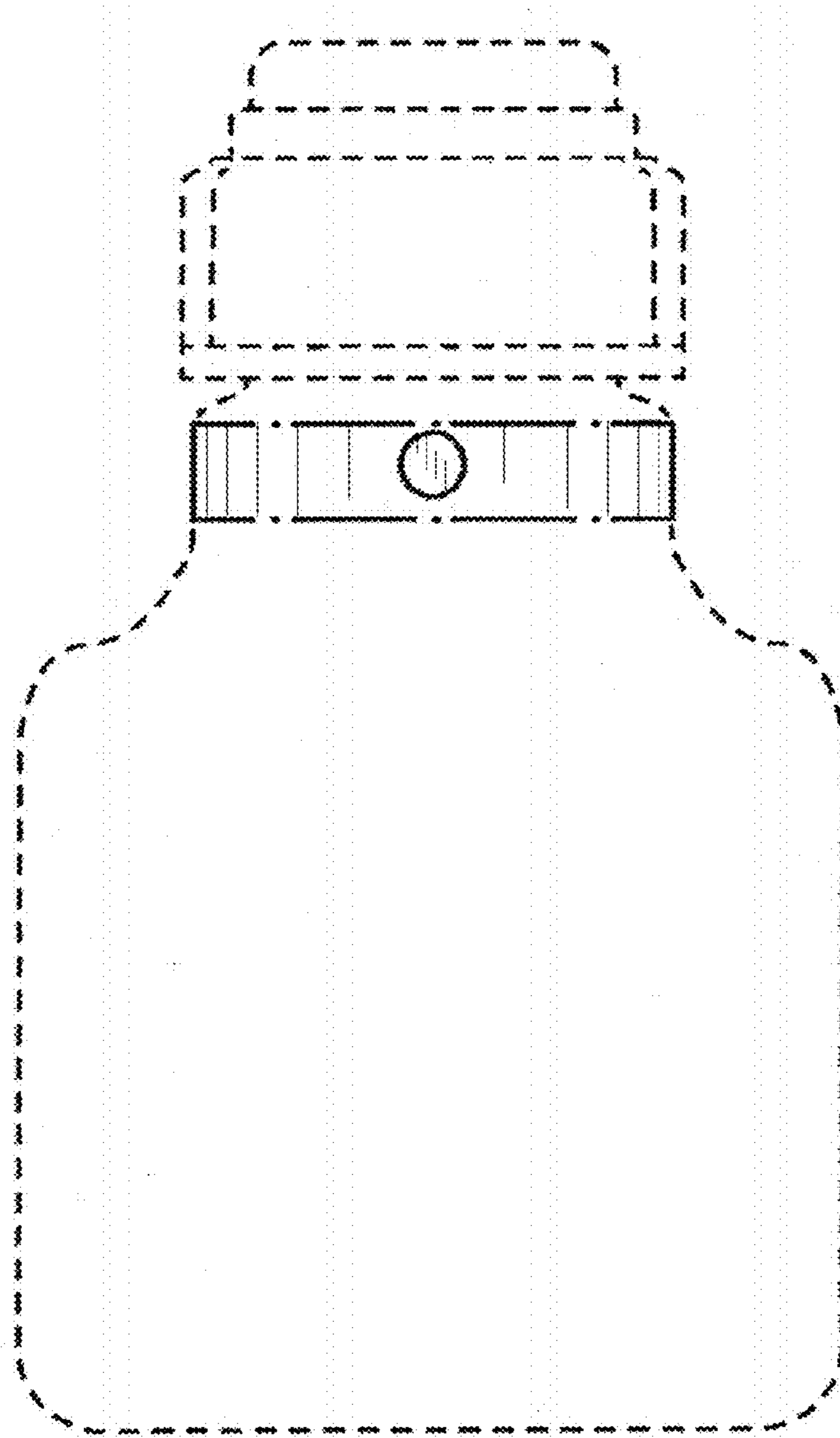


FIG. 4

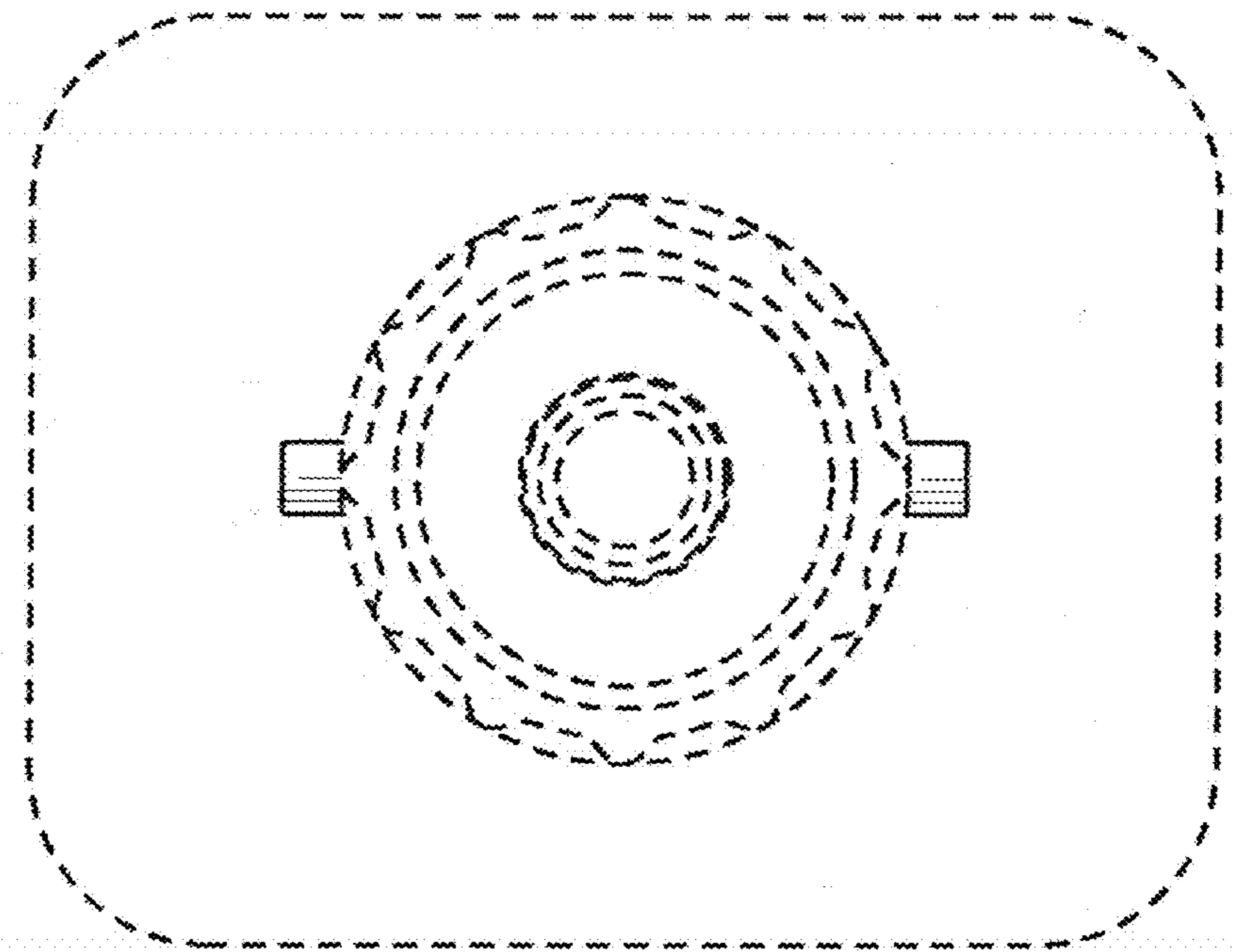


FIG. 5

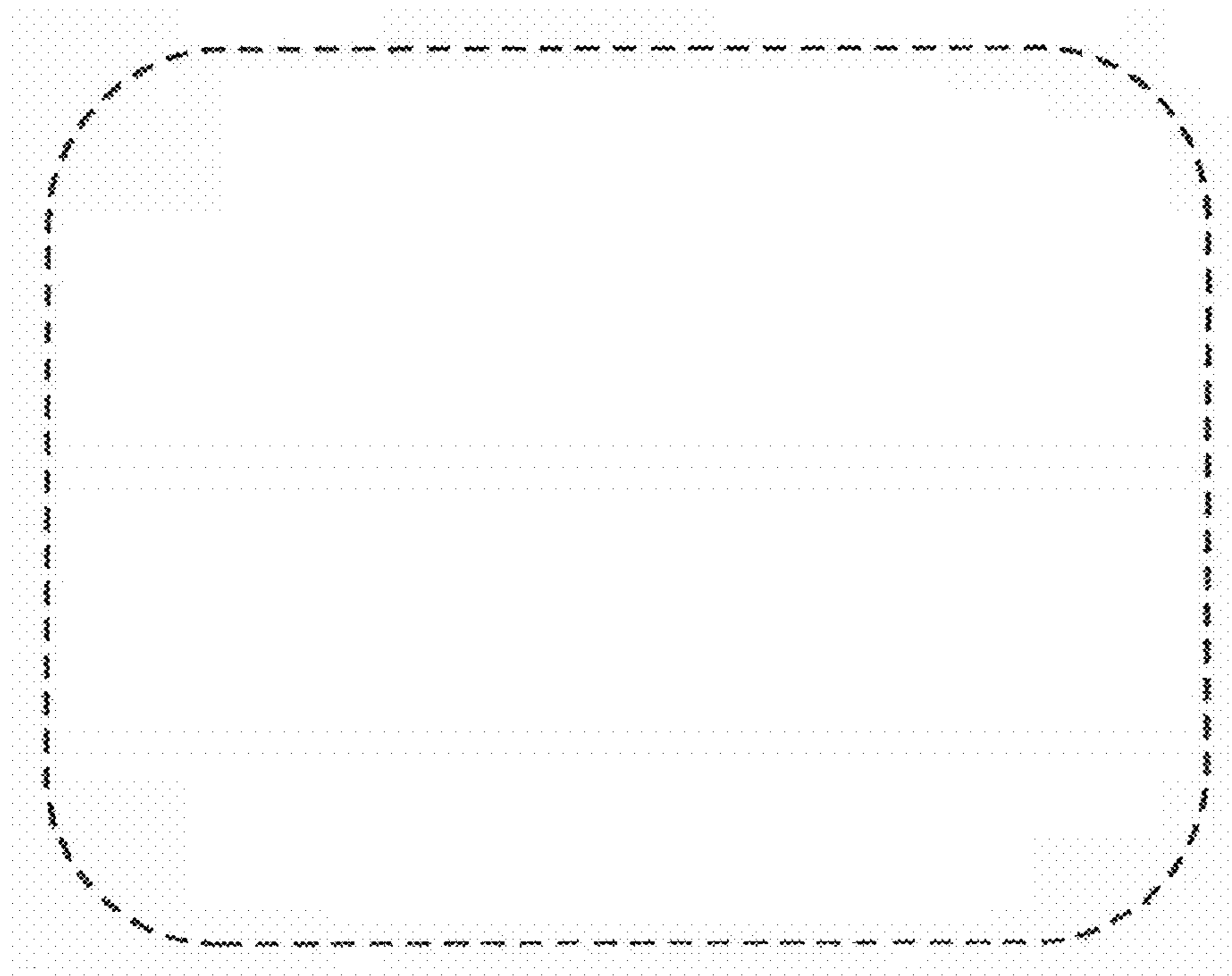


FIG. 6



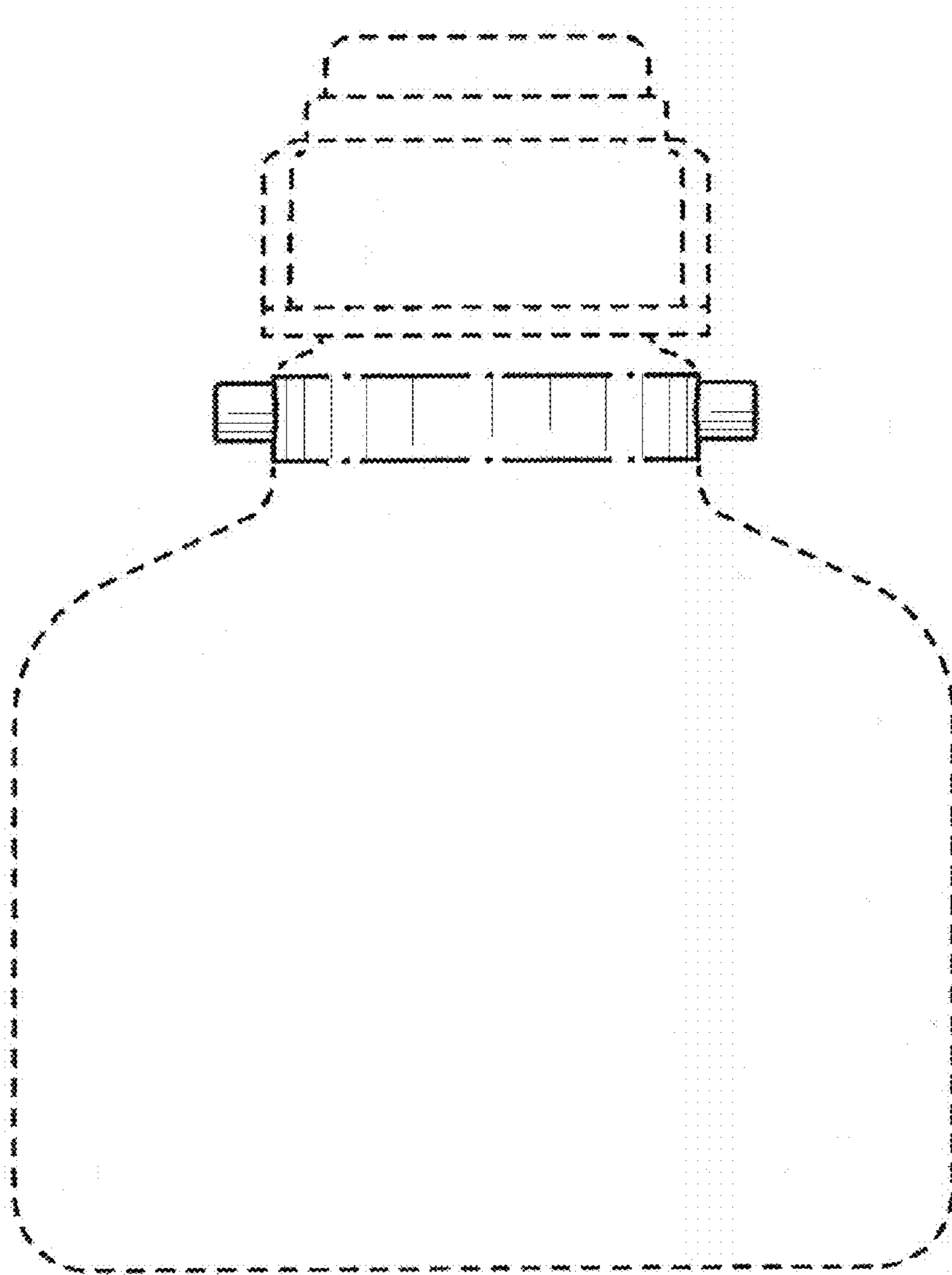


FIG. 7

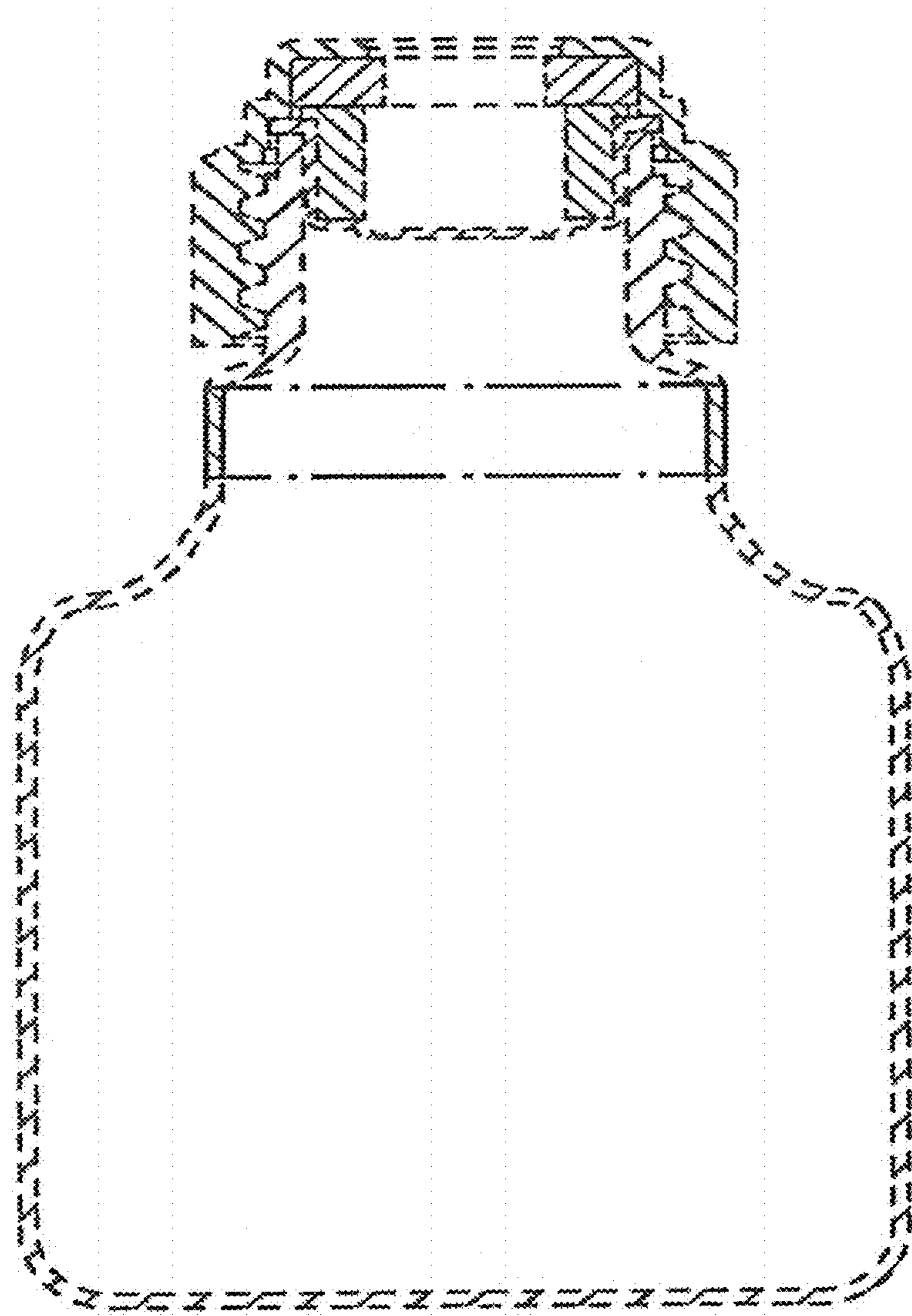


FIG.8

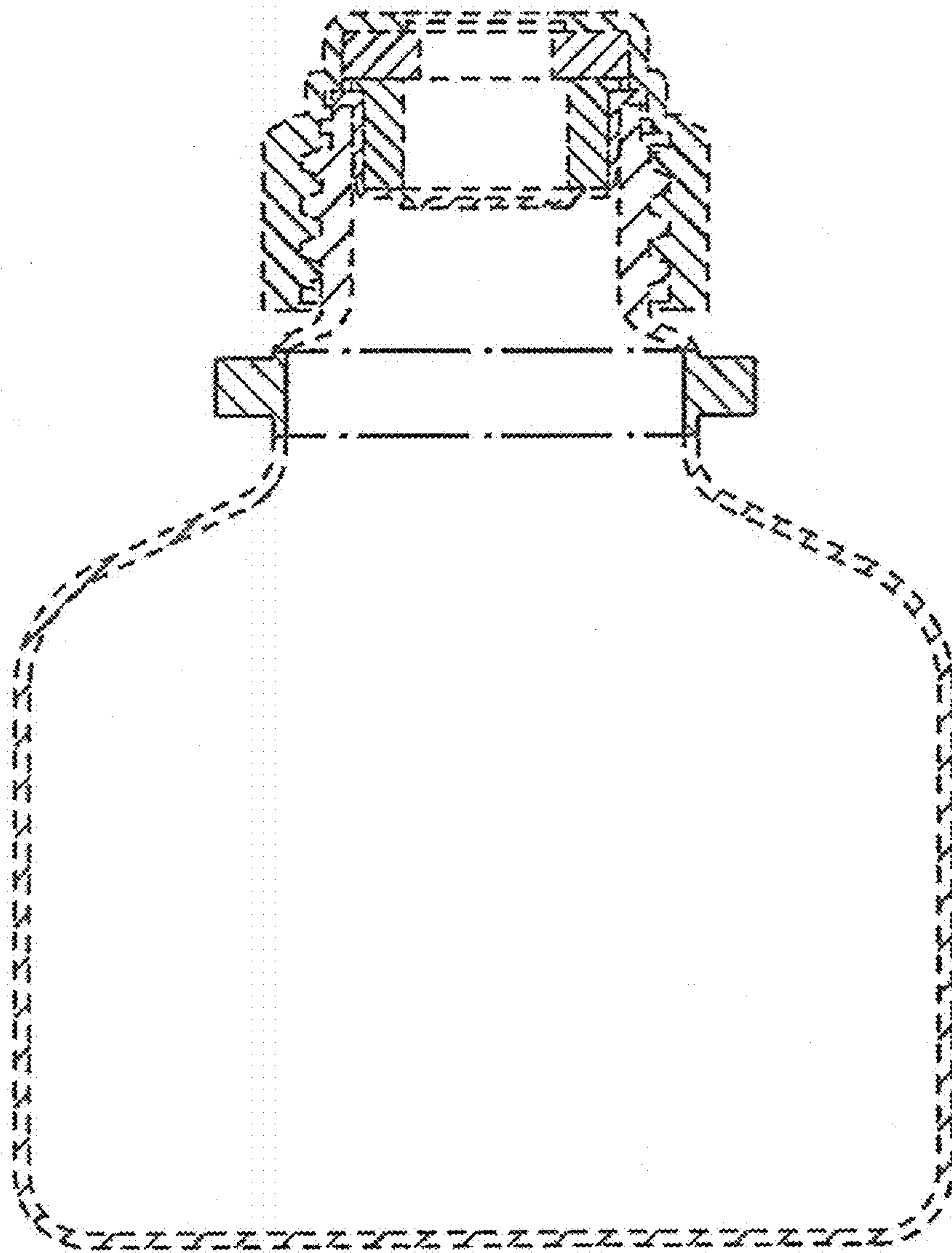


FIG. 9