



US00D754787S

(12) **United States Design Patent**
Yoshioka et al.

(10) **Patent No.:** **US D754,787 S**

(45) **Date of Patent:** **** Apr. 26, 2016**

(54) **PRINTER**

(56) **References Cited**

(71) Applicant: **SEIKO EPSON CORPORATION**,
Tokyo (JP)

U.S. PATENT DOCUMENTS

(72) Inventors: **Ichiro Yoshioka**, Matsumoto (JP); **Seiji Kimura**, Shiojiri (JP); **Kazuhiko Tsuyama**, Kitakyushu (JP); **Hidenori Harada**, Kitakyushu (JP)

D316,254 S *	4/1991	Sato	D14/462
D322,278 S *	12/1991	Kawashima et al.	D18/54
D326,278 S *	5/1992	Grosse	D18/54
D338,271 S *	8/1993	Yoshikawa et al.	D18/50
D353,154 S *	12/1994	Suzuki	D18/50
D374,888 S *	10/1996	Udagawa	D18/50
D516,620 S *	3/2006	Wong	D18/55
D519,549 S *	4/2006	Tanio	D18/50
7,163,286 B2 *	1/2007	Shiraiwa et al.	400/692
D672,387 S *	12/2012	Kim et al.	D18/50
D676,903 S *	2/2013	Kim et al.	D18/50
D709,125 S *	7/2014	Lim et al.	D18/50

(73) Assignee: **SEIKO EPSON CORPORATION**,
Tokyo (JP)

(**) Term: **14 Years**

* cited by examiner

(21) Appl. No.: **29/492,284**

Primary Examiner — Cathy Anne MacCormac

(22) Filed: **May 29, 2014**

(30) **Foreign Application Priority Data**

Dec. 20, 2013 (JP) 2013-029968

(51) **LOC (10) Cl.** **14-02**

(52) **U.S. Cl.**
USPC **D18/50**

(58) **Field of Classification Search**
USPC D18/14, 19, 50, 53, 54, 54.1, 55;
D14/420-425, 462-470; 400/613,
400/613.1-613.4, 690.1-690.4, 691-694
CPC B41J 1/46; B41J 3/26; B41J 9/26;
B41J 15/00; B41J 29/02; B41J 29/13; B41J
35/36; B41J 11/00; B41J 11/20; B41J 29/00;
B65H 35/06; B65H 1/00; G03G 15/00;
G03G 21/00; G03G 21/16; G06F 3/12;
G06K 15/14

See application file for complete search history.

(57) **CLAIM**

The ornamental design for a printer, as shown and described.

DESCRIPTION

FIG. 1 is a front, top and right side perspective view of a printer showing our new design; FIG. 2 is a rear, bottom and left side perspective view thereof; FIG. 3 is a front view thereof; FIG. 4 is a rear view thereof; FIG. 5 is a top plan view thereof; FIG. 6 is a bottom plan view thereof; FIG. 7 is a right side view thereof; and, FIG. 8 is a left side view thereof.

The features shown in broken lines in the drawings depict environmental subject matter only and form no part of the claimed design.

1 Claim, 8 Drawing Sheets

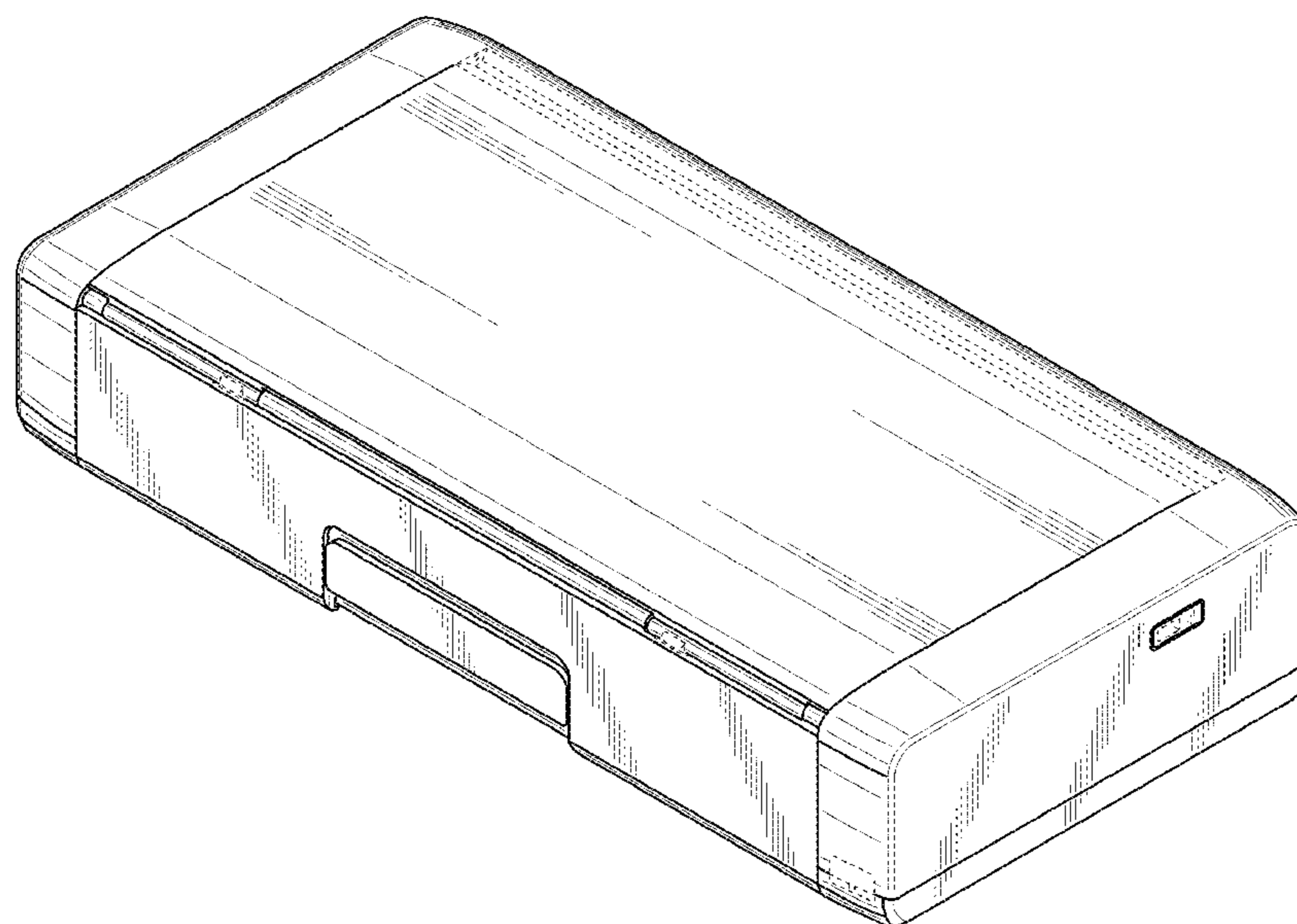


FIG. 1

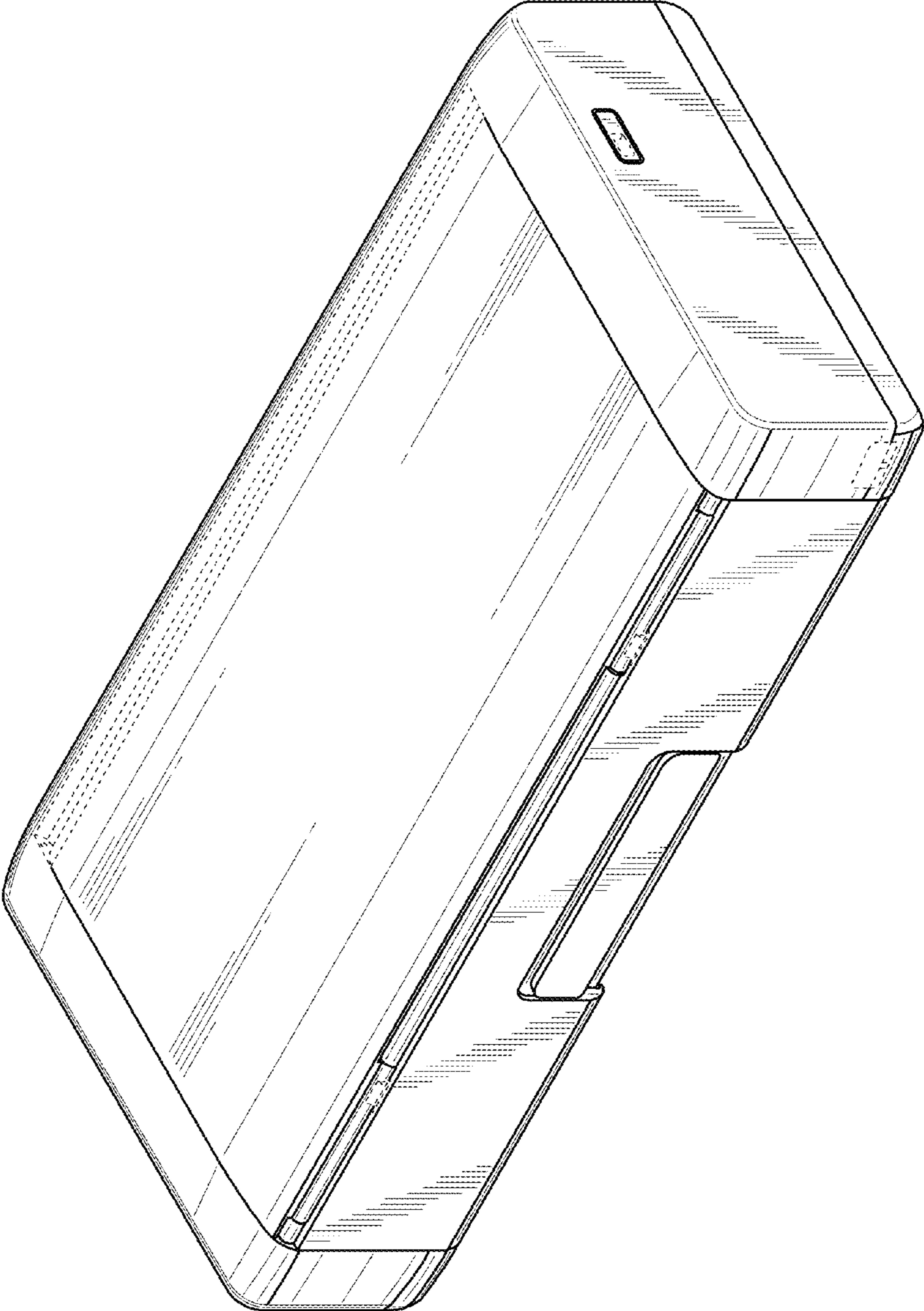


FIG. 2

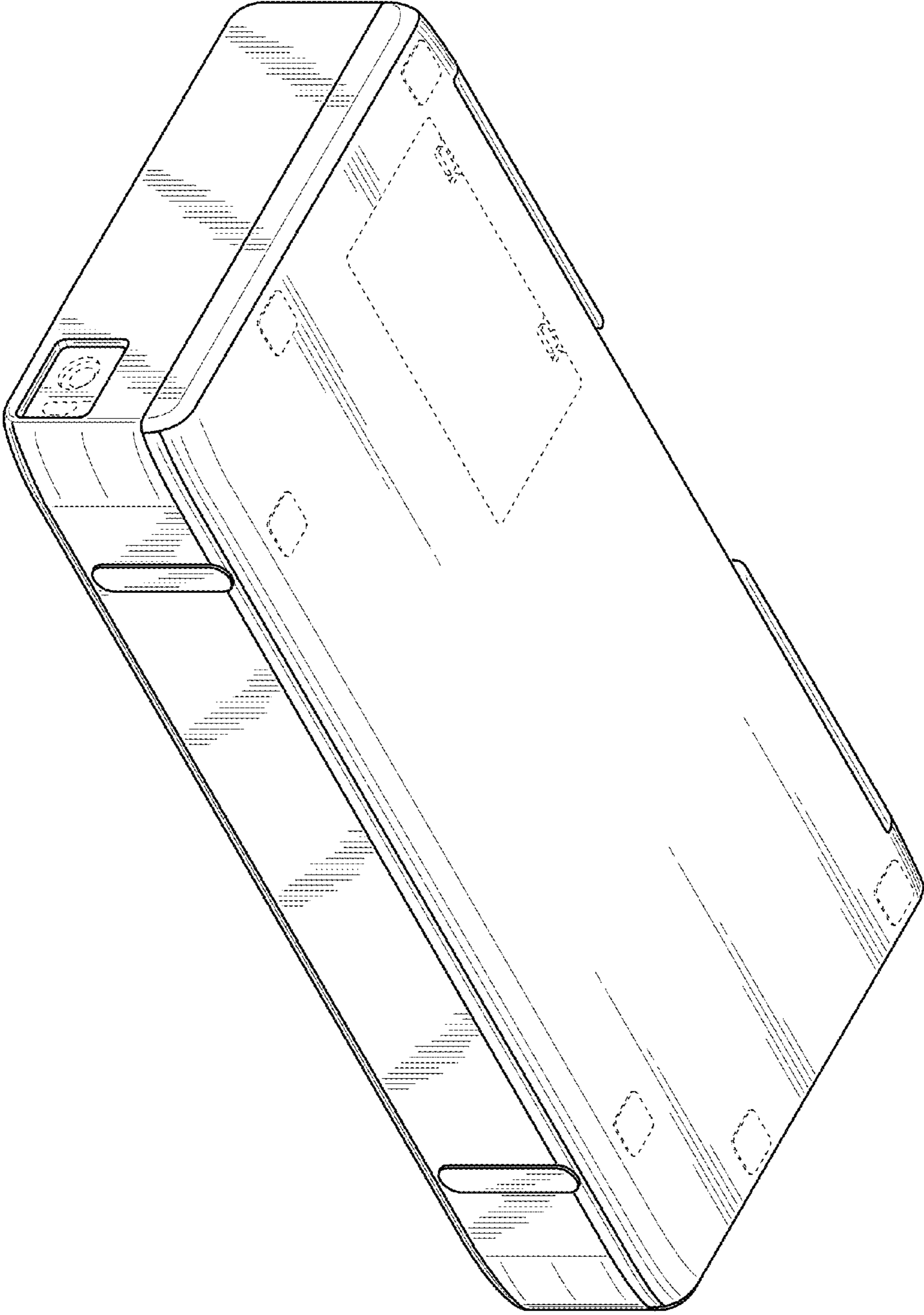


FIG. 3

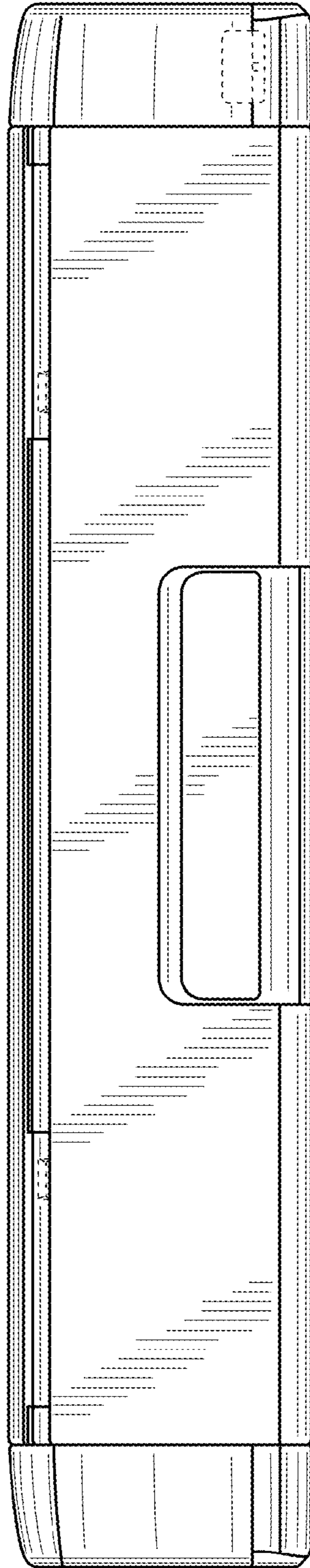


FIG. 4

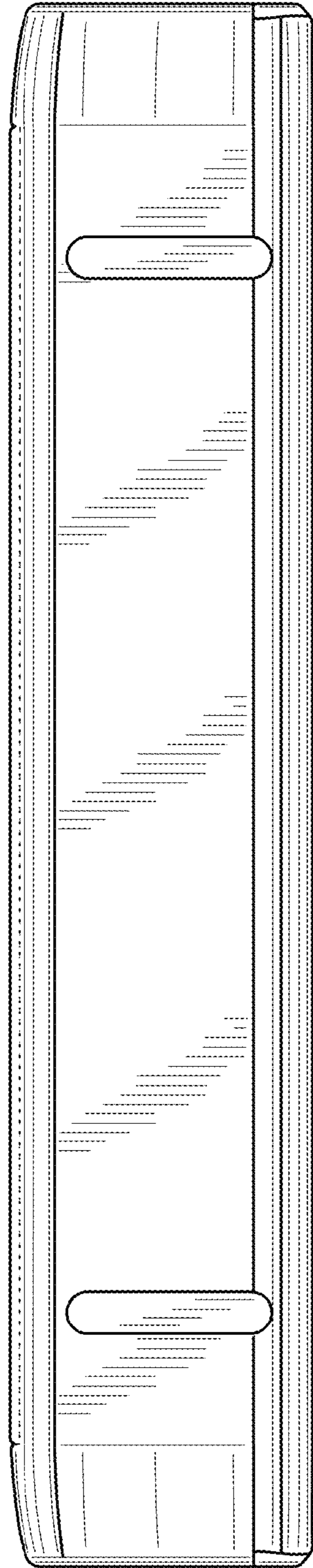


FIG. 5

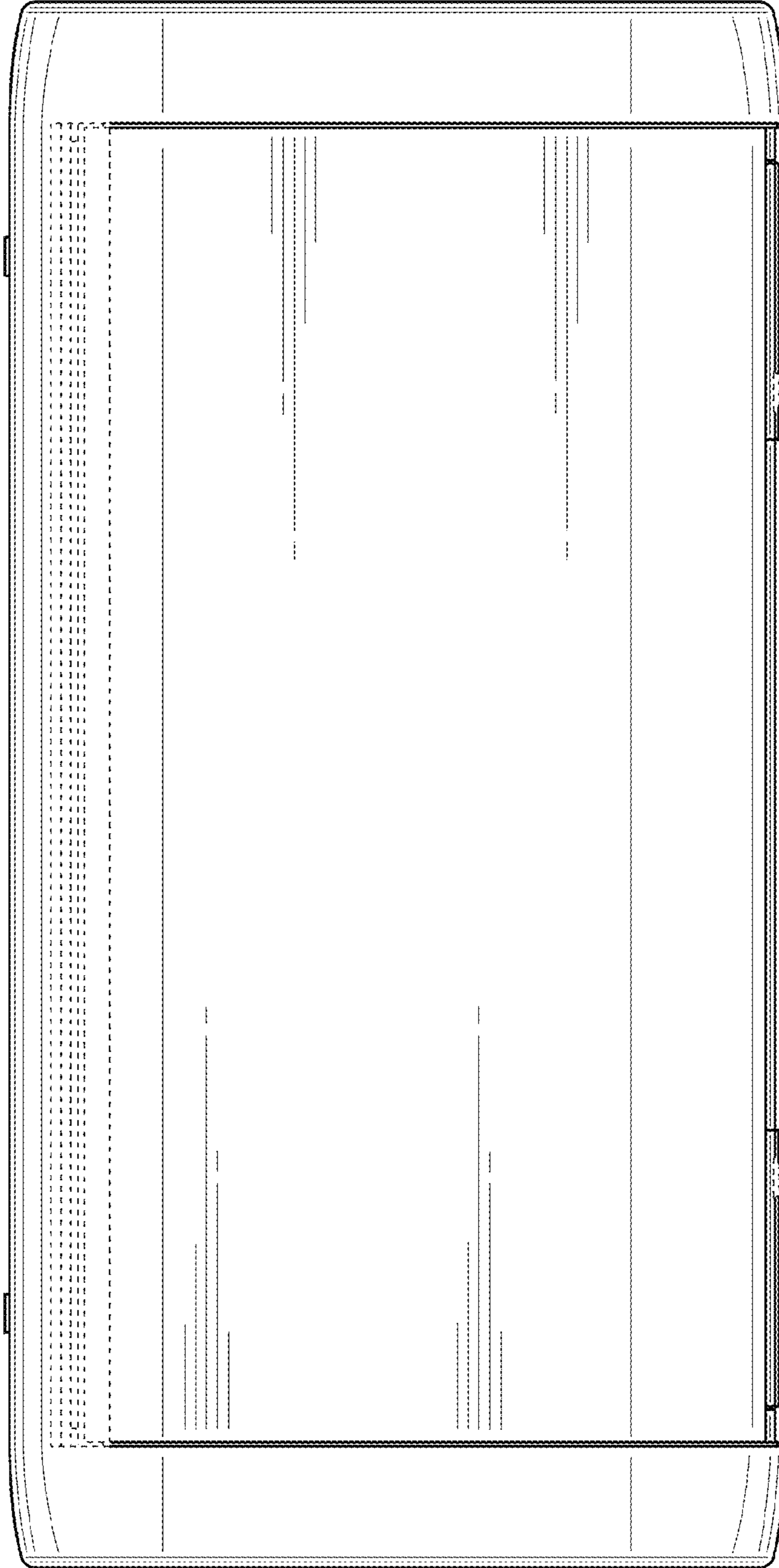


FIG. 6

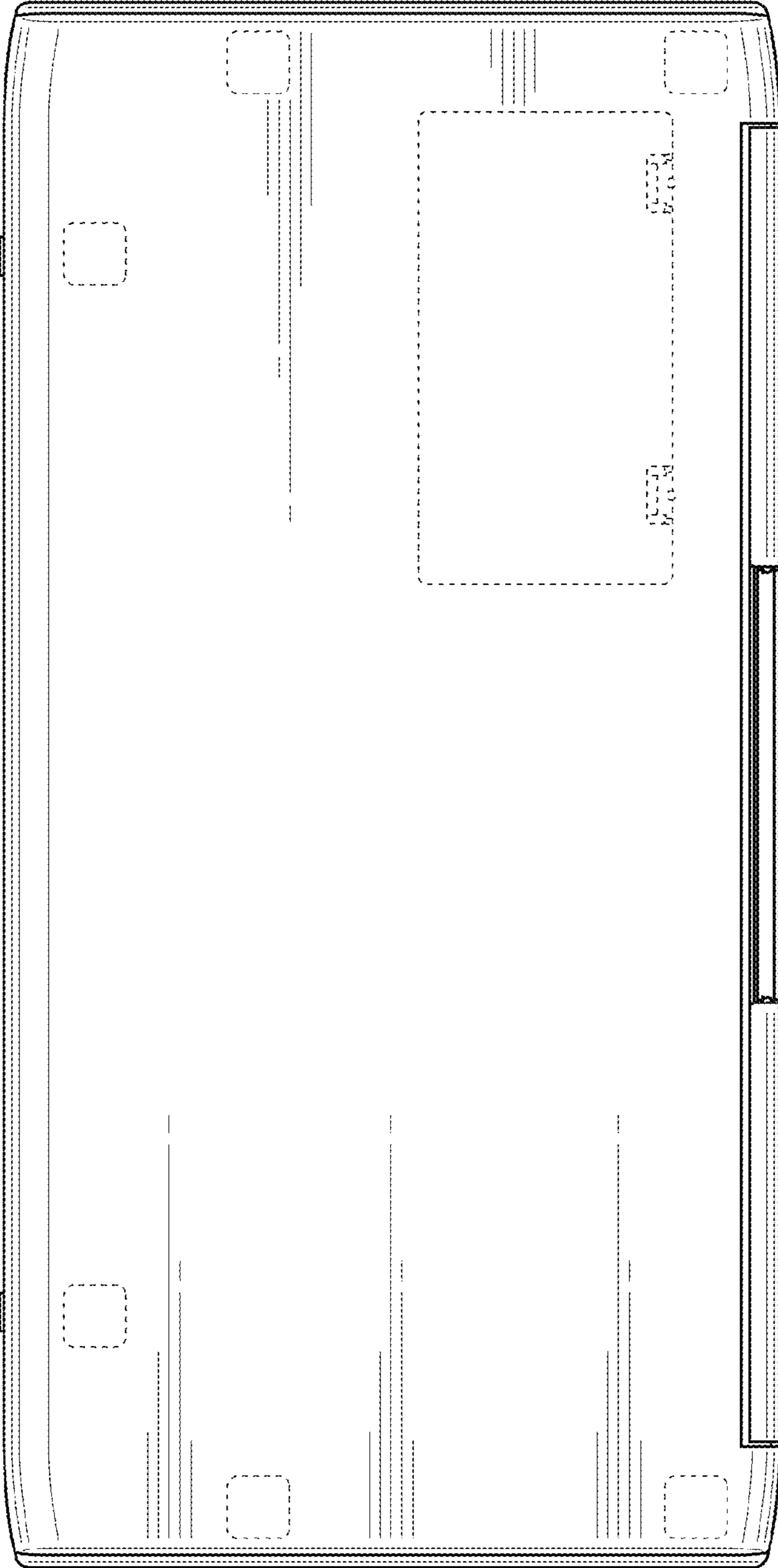


FIG. 7

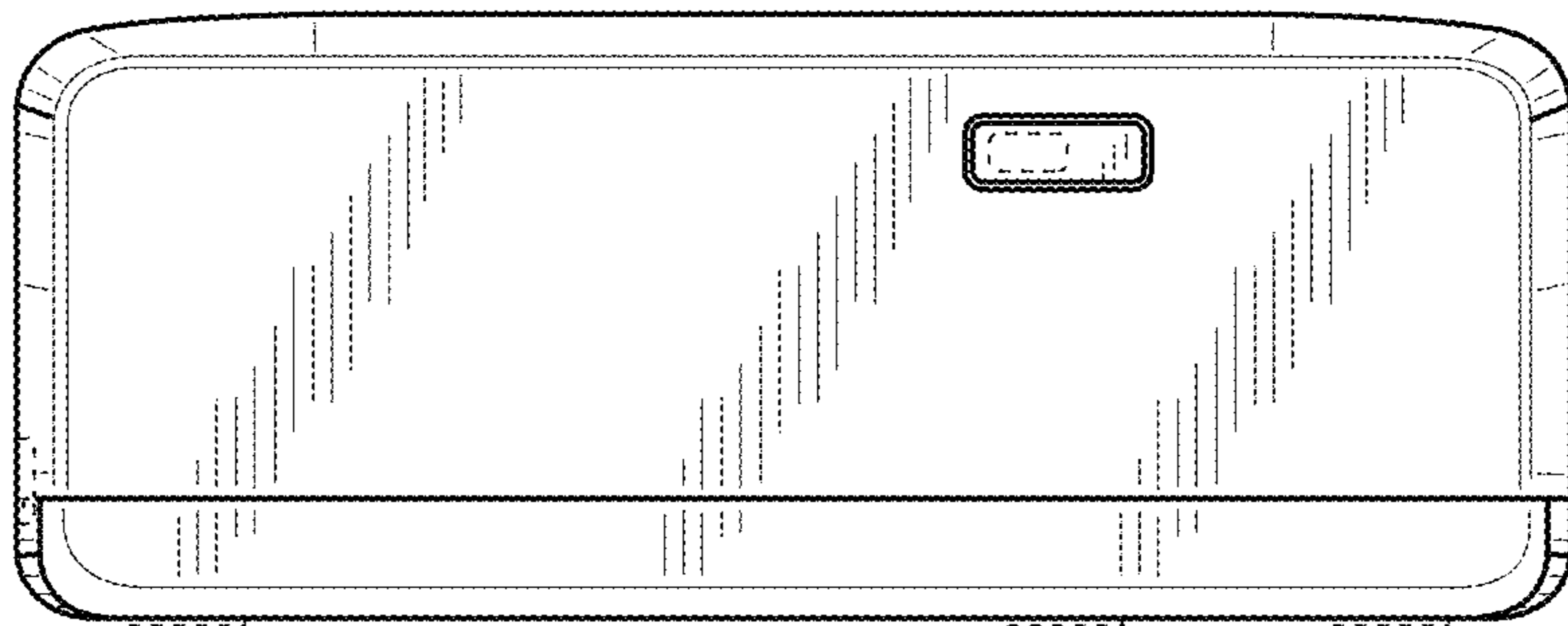


FIG. 8

