



US00D754786S

(12) **United States Design Patent**  
**Tiessens et al.**

(10) **Patent No.:** **US D754,786 S**  
(45) **Date of Patent:** **\*\* Apr. 26, 2016**

(54) **MONEY COUNTER**  
(71) Applicant: **Solid Control Holding B.V.**, Zoetermeer  
(Zuid-Holland) (NL)  
(72) Inventors: **Michel Jean Henri Tiessens**,  
Zoetermeer (NL); **Diederik van Slooten**,  
The Hague (NL)  
(73) Assignee: **Solid Control Holding B.V.**, Zoetermeer  
(Zuid-Holland) (NL)

(\*\*) Term: **14 Years**  
(21) Appl. No.: **29/494,812**  
(22) Filed: **Jun. 24, 2014**

(30) **Foreign Application Priority Data**  
Dec. 24, 2013 (EM) ..... 002377358-0001

(51) **LOC (10) Cl.** ..... **18-01**  
(52) **U.S. Cl.**  
USPC ..... **D18/3.3**

(58) **Field of Classification Search**  
USPC ..... D18/3.1, 3.2, 3.3, 4.1, 4.4, 12, 12.1,  
D18/12.2, 12.3, 46, 47; D99/28, 34, 35, 43,  
D99/99; D14/462, 469; 235/2, 7 A, 7 R, 33,  
235/379; 382/135, 136, 137, 138  
CPC ..... G07G 1/00; G07G 1/0009; G07G 1/0018;  
G07G 1/0027; G07G 1/0036; G07G 1/10;  
G07G 1/12; G07G 5/00; G07D 9/00; G07D  
9/002; G07D 9/004; G07D 9/006; G07D 9/04;  
G07D 11/00; G07D 11/0003; G07D 11/0006;  
G07D 11/0009; G07D 11/0021; G07D  
11/0084; G07D 13/00  
See application file for complete search history.

(56) **References Cited**  
U.S. PATENT DOCUMENTS  
D369,984 S \* 5/1996 Larsen ..... D10/97  
D377,766 S \* 2/1997 Hidaka ..... D18/3.3  
5,790,697 A \* 8/1998 Munro ..... B65H 3/063  
209/546

5,938,044 A \* 8/1999 Weggesser ..... G07D 7/04  
209/534  
D427,623 S \* 7/2000 Kuwada ..... D18/3.1  
D439,604 S \* 3/2001 Takagi ..... D18/3.3  
D445,124 S \* 7/2001 Naito ..... D18/3.3  
D457,554 S \* 5/2002 Takagi ..... D18/3.3  
6,493,461 B1 \* 12/2002 Mennie ..... G07D 7/162  
382/135  
D477,349 S \* 7/2003 Osada ..... D18/3.1  
D517,115 S \* 3/2006 Kuwada ..... D18/3.3  
D539,332 S \* 3/2007 Gonzalez ..... D18/3.3  
D590,870 S \* 4/2009 Kuwada ..... D18/3.1  
7,551,764 B2 \* 6/2009 Chiles ..... G07D 9/04  
194/205  
D646,711 S \* 10/2011 Funato ..... D18/3.3  
D657,815 S \* 4/2012 Iwakami ..... D18/3.3  
8,204,293 B2 \* 6/2012 Csulits ..... G07D 7/00  
235/379  
D676,343 S \* 2/2013 Shih ..... D10/97  
D676,344 S \* 2/2013 Shih ..... D10/97  
D677,593 S \* 3/2013 Shih ..... D10/97  
8,401,268 B1 \* 3/2013 Yacoubian ..... G07D 11/0084  
235/379  
D726,813 S \* 4/2015 Gonzalez ..... D18/3.3

\* cited by examiner

*Primary Examiner* — Elizabeth J Oswecki  
(74) *Attorney, Agent, or Firm* — Abelman, Frayne &  
Schwab

(57) **CLAIM**  
The ornamental design for a money counter, as shown and  
described.

**DESCRIPTION**

FIG. 1 is a front, top, and right side perspective view of a  
money counter showing our new design;  
FIG. 2 is a top plan thereof;  
FIG. 3 is a front elevation thereof;  
FIG. 4 is a left side elevation view thereof, the right side  
elevation view being a mirror image thereof; and,  
FIG. 5 is a right, top, and rear perspective view thereof.  
The broken lines illustrate portions of the money counter and  
form no part of the claimed design.  
All surfaces not shown form no part of the claimed design.

**1 Claim, 5 Drawing Sheets**

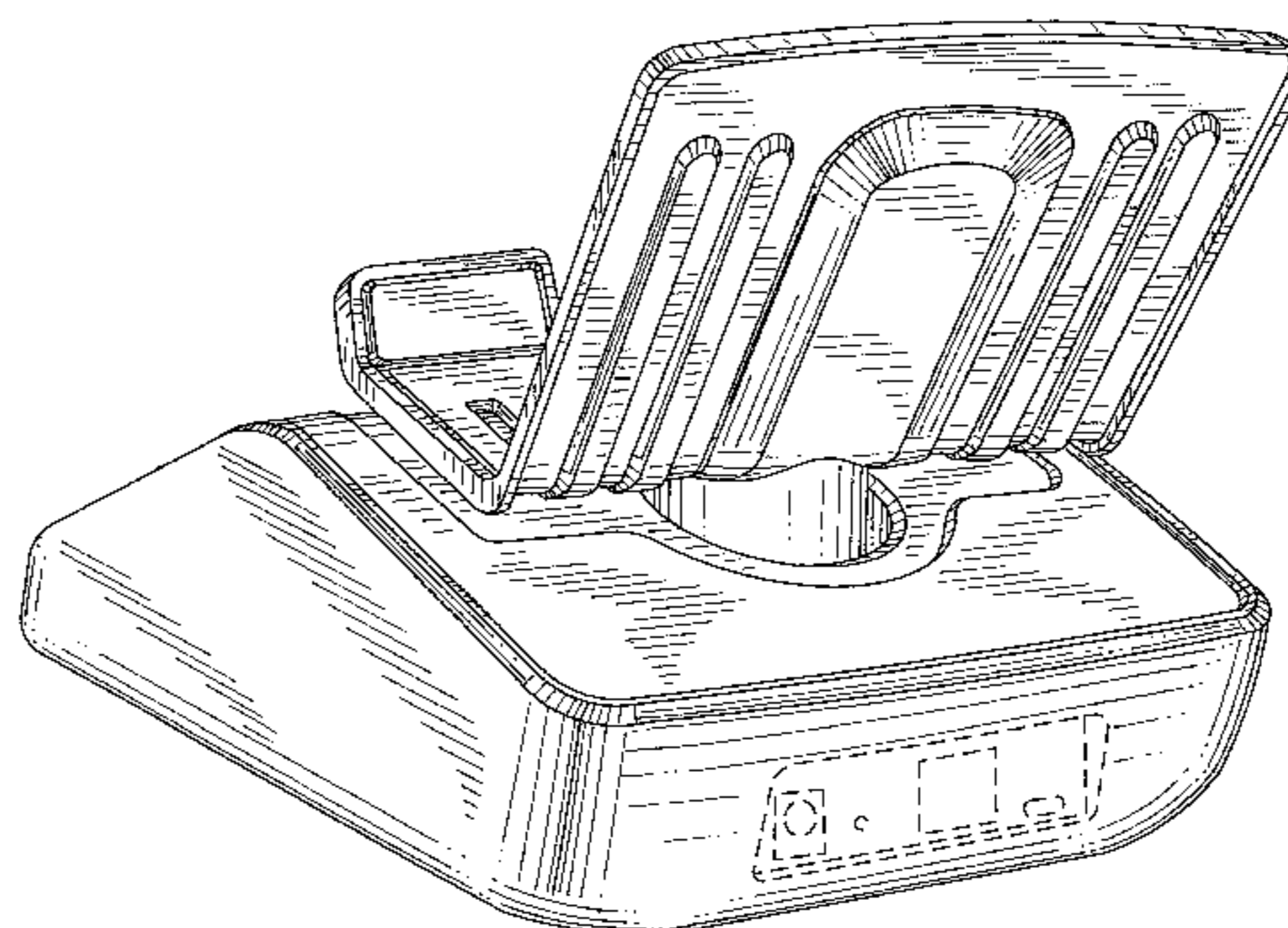
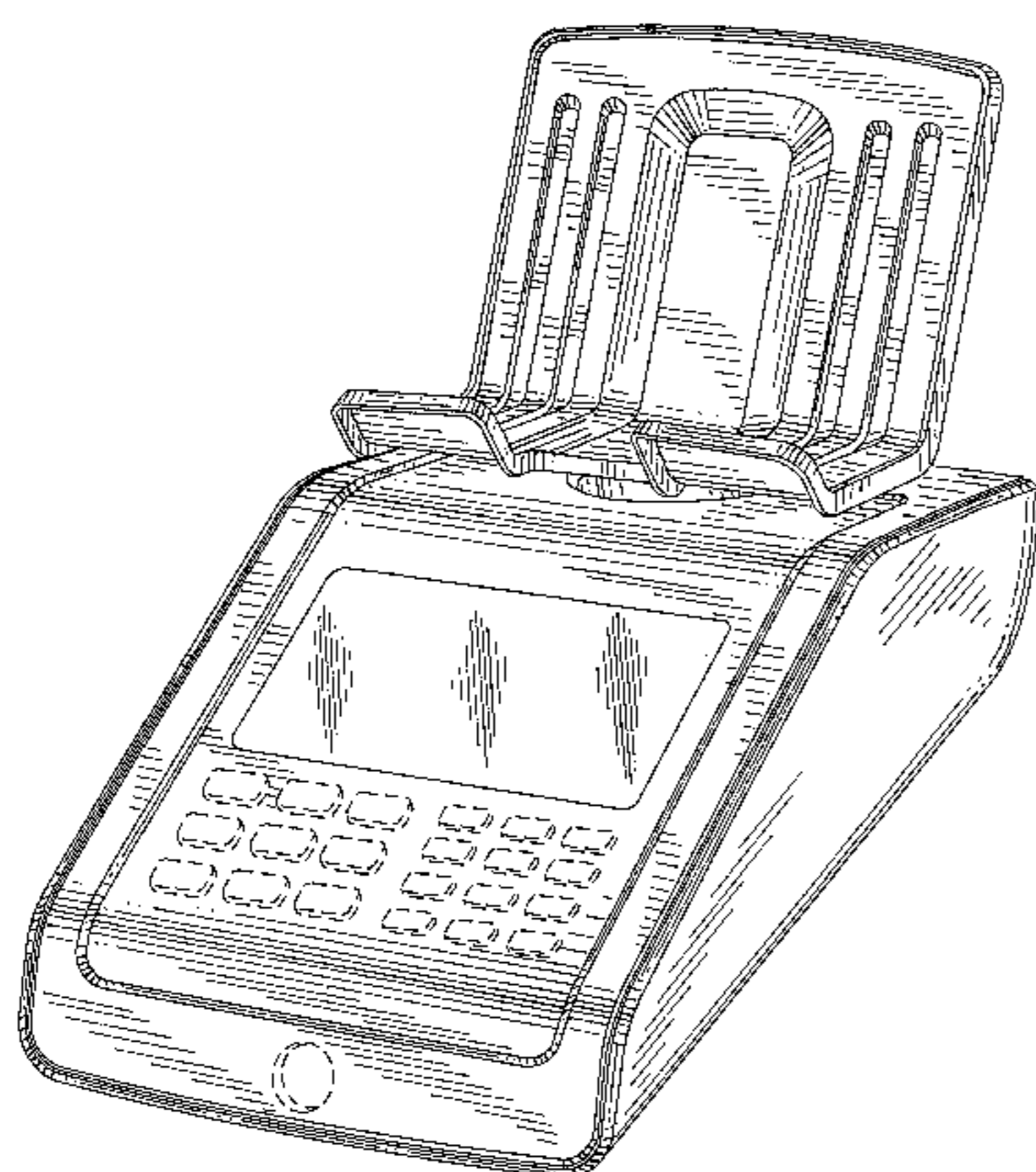


FIG. 1

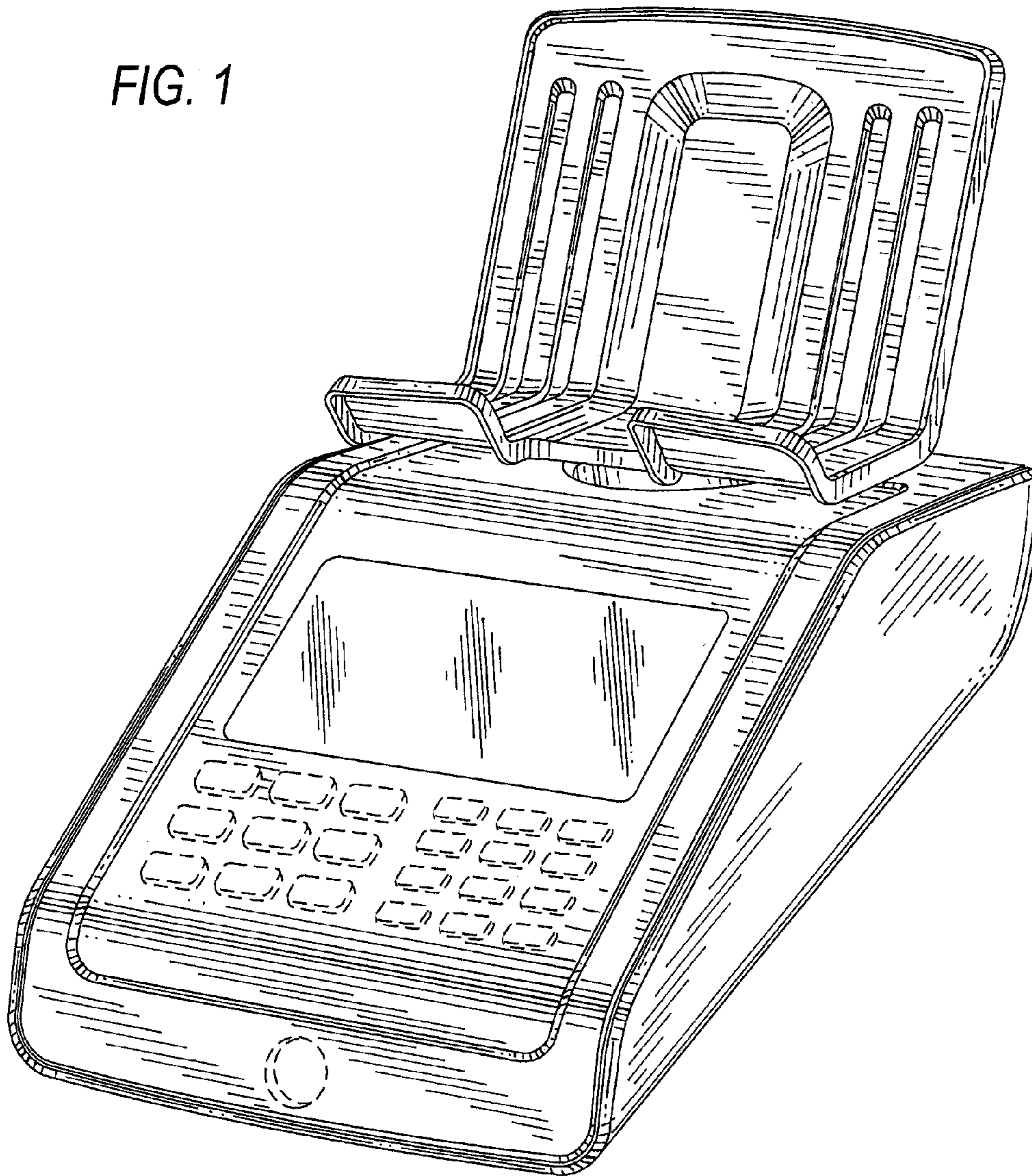
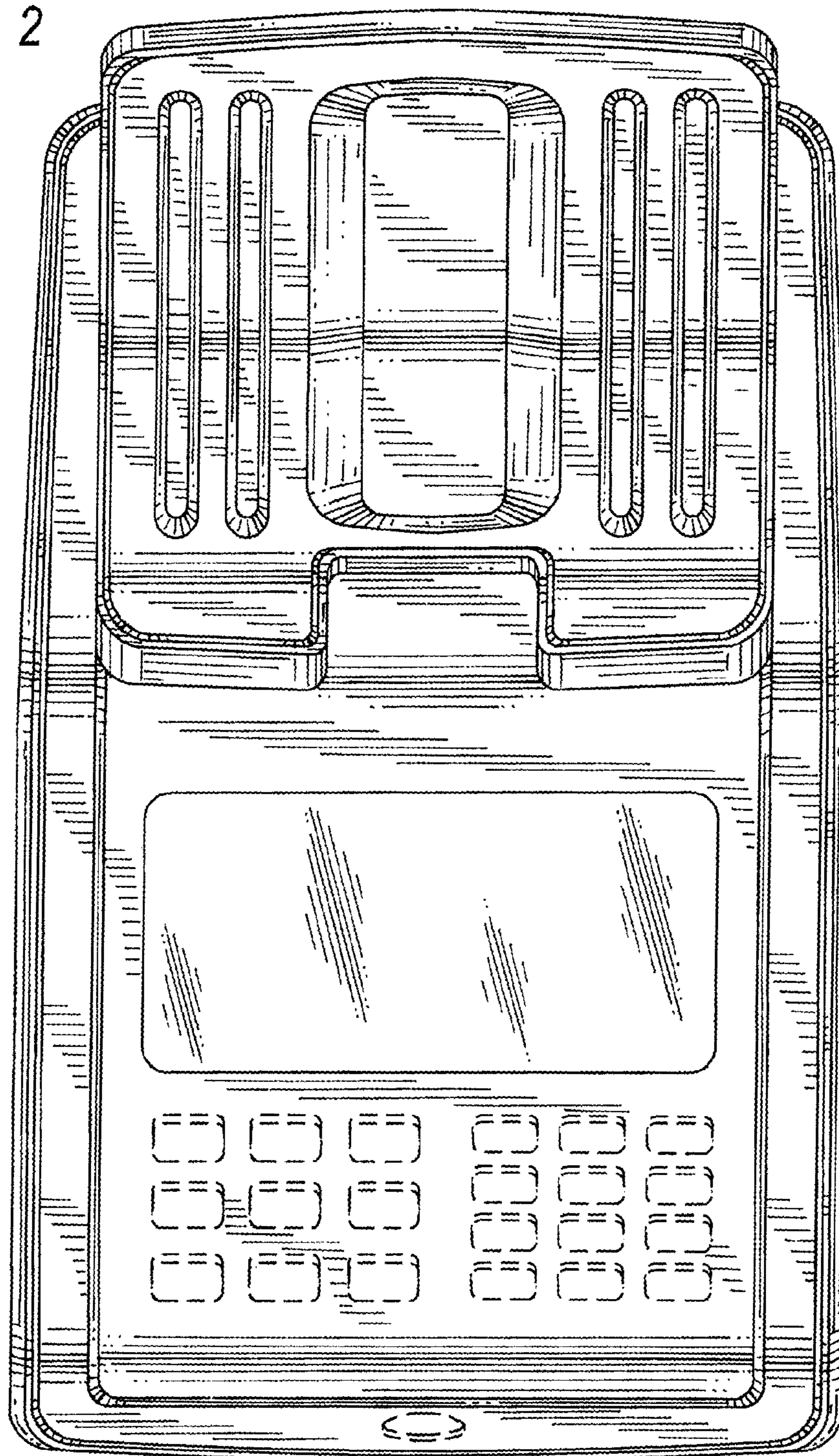


FIG. 2



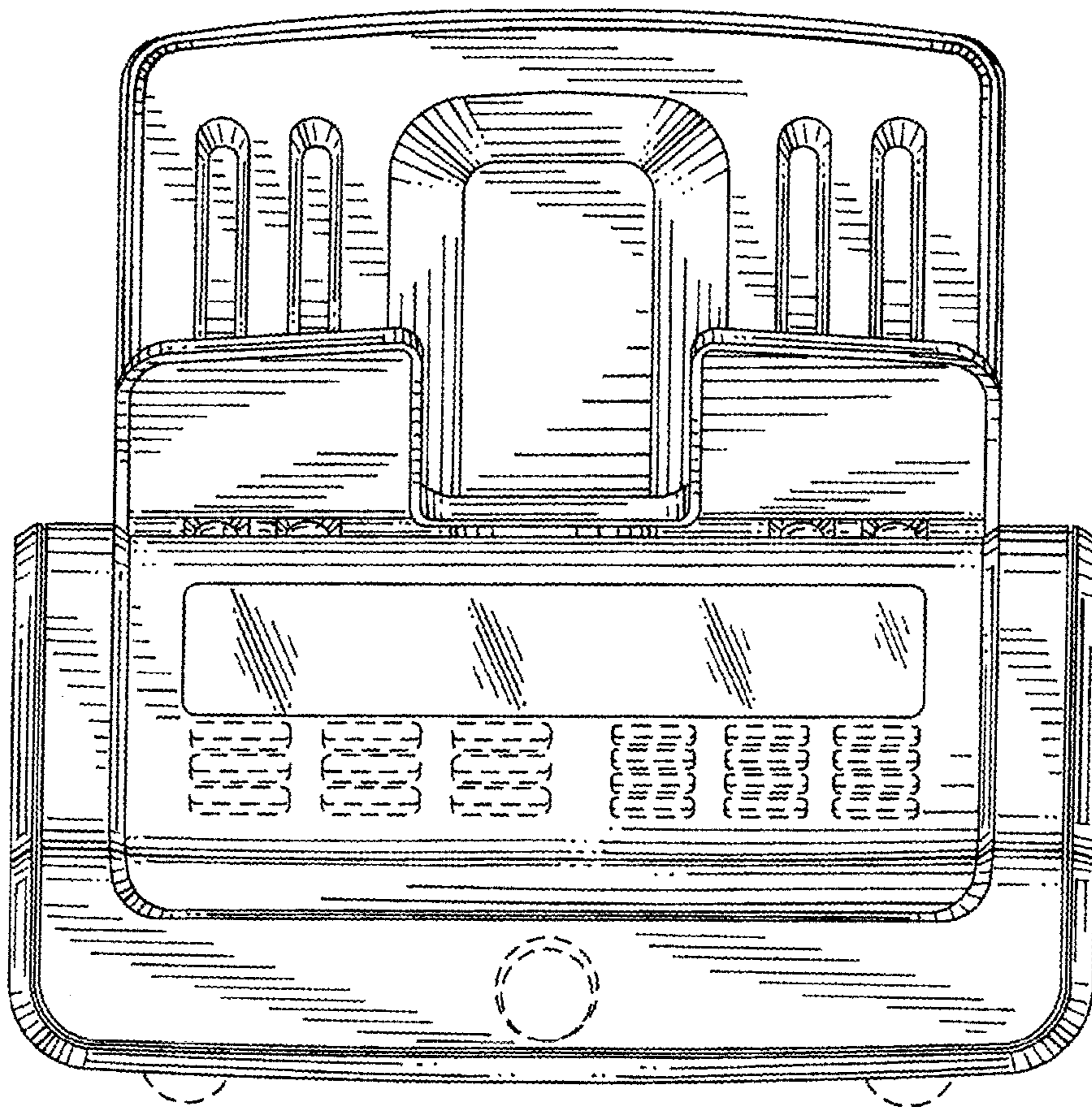
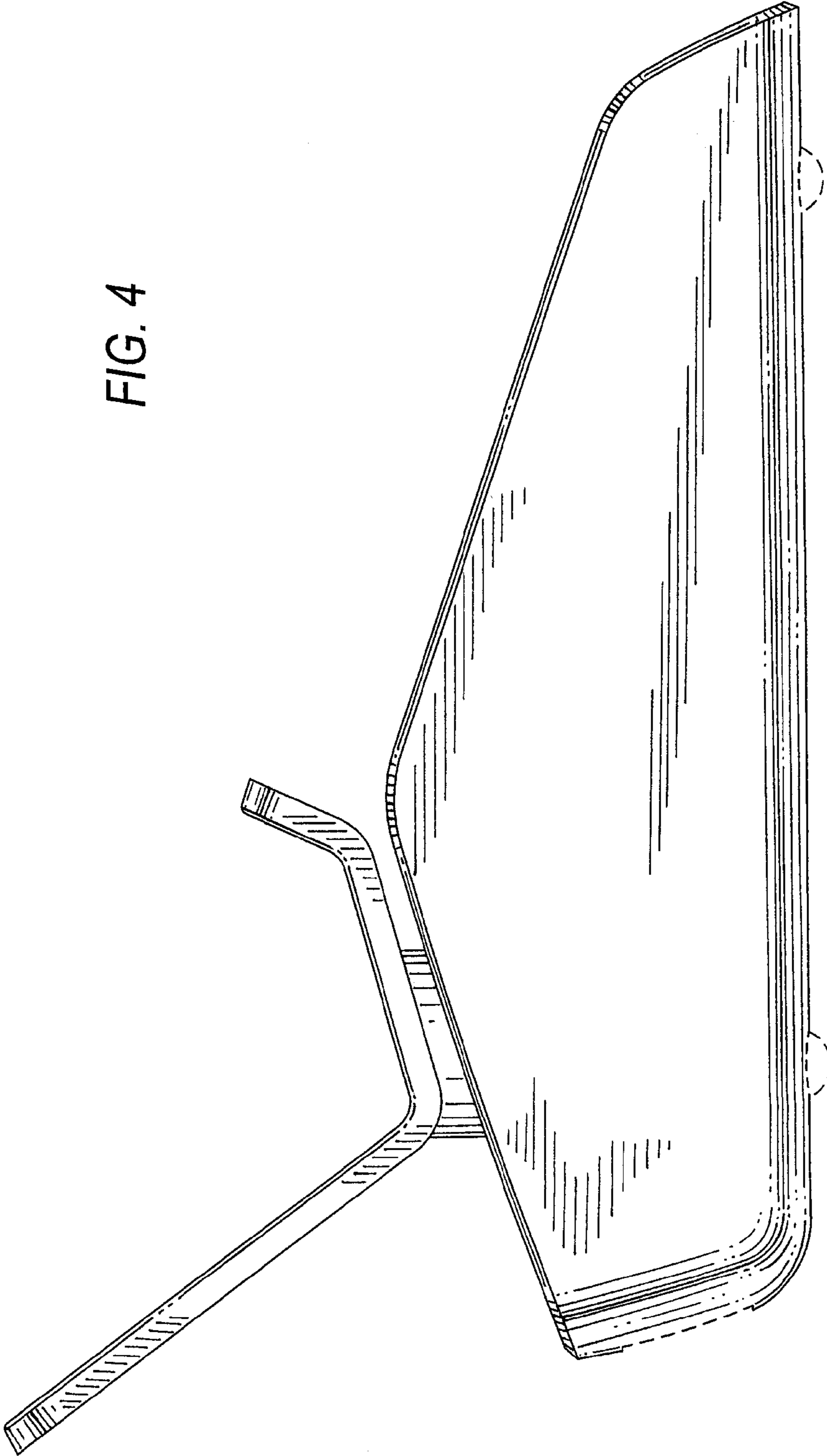


FIG. 3

FIG. 4



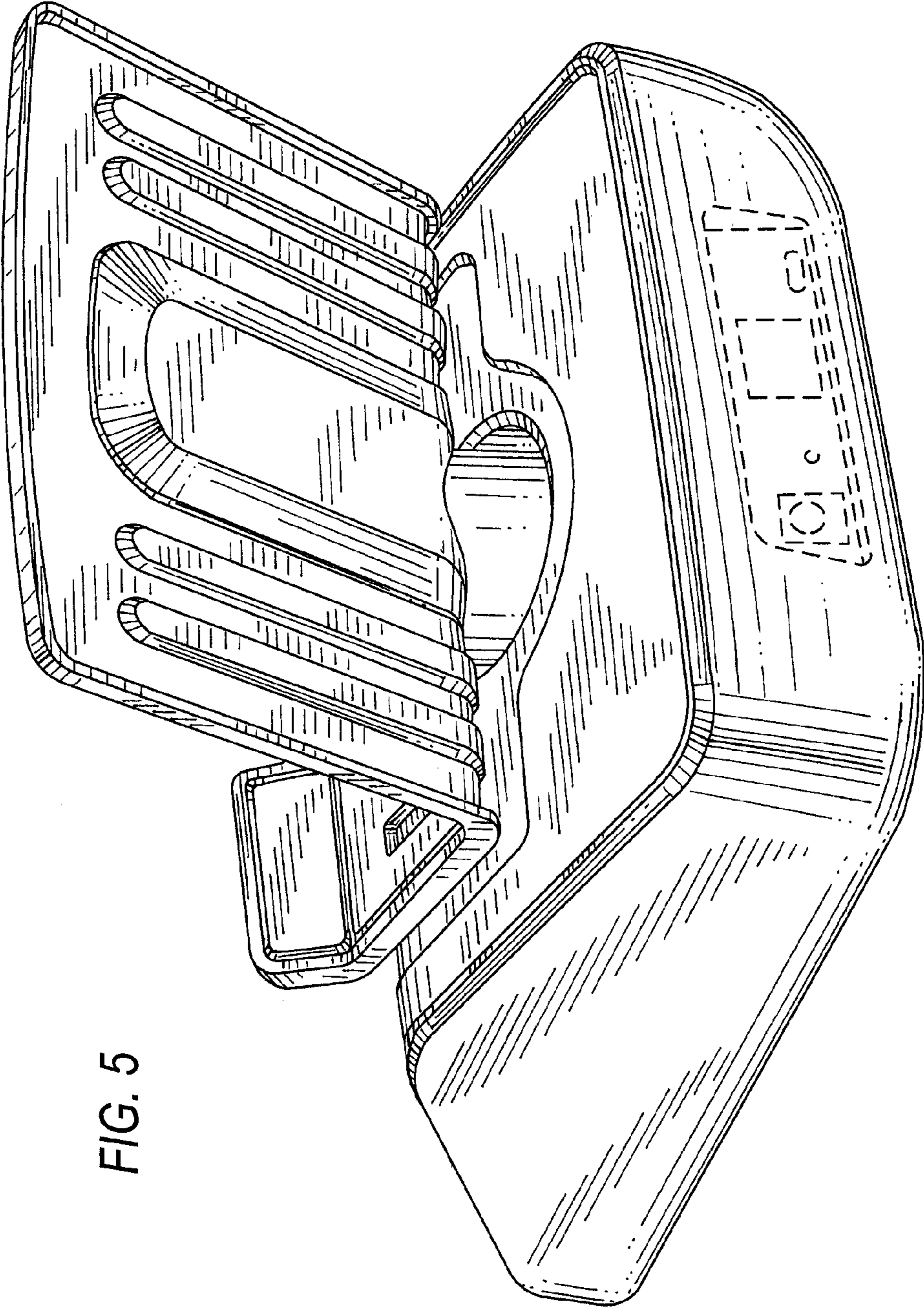


FIG. 5