



US00D754782S

(12) **United States Design Patent**
Kokinakis et al.

(10) **Patent No.:** **US D754,782 S**
(45) **Date of Patent:** **** Apr. 26, 2016**

(54) **EYEWEAR VIEWING DEVICE**
(71) Applicant: **Kopin Corporation**, Westborough, MA (US)

8,545,013 B2 * 10/2013 Hwang et al. 351/158
D701,506 S 3/2014 Pombo
D714,854 S * 10/2014 Porter D16/313

(Continued)

(72) Inventors: **Kenneth A. Kokinakis**, Naples, FL (US); **Kenny W. Y. Chow**, Hong Kong (CN); **Ernesto Carlos Martinez Villalpando**, Shrewsbury, MA (US)

FOREIGN PATENT DOCUMENTS

JP 1193594 1/2004
JP 1523636 5/2015

(73) Assignee: **Kopin Corporation**, Westborough, MA (US)

OTHER PUBLICATIONS

“Real Design”, *Carlzeiss Cinemizer Plus*, 10:5 143 (2010). Japanese PTO, Design Division Prior Art No. HA22005279 with machine translation.

(**) Term: **14 Years**

(Continued)

(21) Appl. No.: **29/491,129**

Primary Examiner — Raphael Barkai

(22) Filed: **May 16, 2014**

(74) *Attorney, Agent, or Firm* — Hamilton, Brook, Smith & Reynolds, P.C.

(51) **LOC (10) Cl.** **16-06**

(52) **U.S. Cl.**
USPC **D16/309**

(57) **CLAIM**

The ornamental design for an eyewear viewing device, as shown and described.

(58) **Field of Classification Search**
USPC D16/101, 300–342, 900; D29/109–110; 351/41, 44, 51–52, 62, 158, 92, 351/103–123, 140–153, 63, 59, 45–48; 2/426–432, 447–449, 441, 434–437, 2/440, 442, 13, 15; D21/483, 659–661; D14/372
CPC G02C 2200/08; G02C 1/06; G02C 5/14; G02C 11/02; G02C 11/04; G01C 5/16; A61M 2021/0044; A63B 33/002
See application file for complete search history.

DESCRIPTION

FIG. 1 is a front perspective view of the eyewear viewing device in the present invention.
FIG. 2 is a rear perspective view thereof.
FIG. 3 is a side perspective view thereof.
FIG. 4 is a front view thereof.
FIG. 5 is a rear view thereof.
FIG. 6 is a top view thereof.
FIG. 7 is a bottom view thereof.
FIG. 8 is a left side view thereof; and,
FIG. 9 is a right side view thereof.

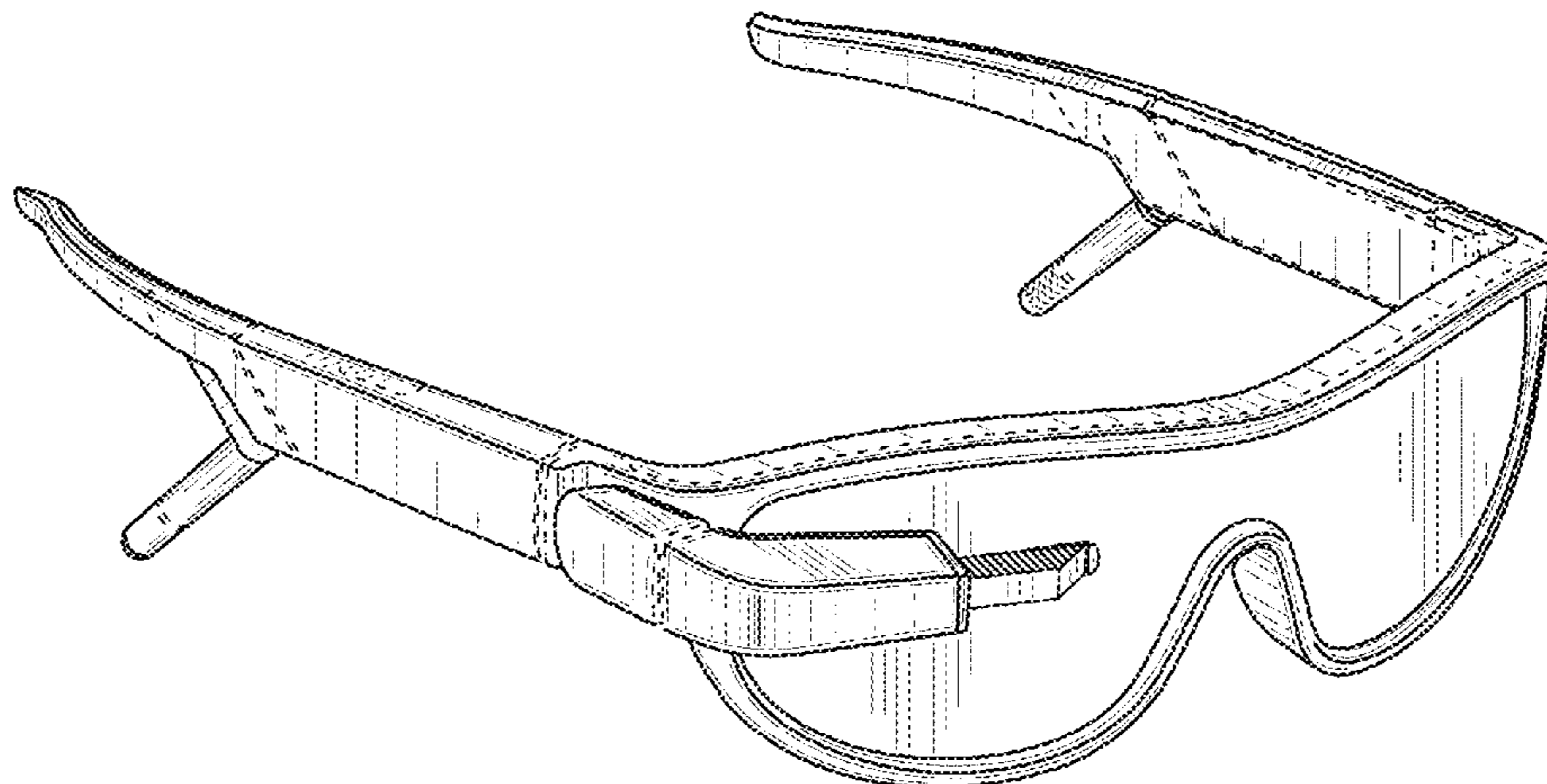
The eyewear viewing device in the present invention is an electronic eyewear viewing device having the appearance of eyeglasses or spectacles, and includes an eyeglass or spectacle frame, and an electronic viewer portion with a display for generating images for viewing by the wearer, and speakers for generating sound.

(56) **References Cited**

U.S. PATENT DOCUMENTS

6,421,031 B1 7/2002 Ronzani et al.
D559,250 S 1/2008 Pombo
D602,064 S 10/2009 Mitsui et al.
D603,446 S * 11/2009 Moody D16/326
D624,111 S 9/2010 Knoop
D640,256 S 6/2011 So
D669,471 S 10/2012 Hwang et al.

1 Claim, 5 Drawing Sheets



(56)

References Cited

U.S. PATENT DOCUMENTS

D716,364 S * 10/2014 Chow et al. D16/300
2010/0245757 A1 9/2010 Sugihara et al.
2010/0253904 A1 10/2010 Jannard

2012/0026455 A1* 2/2012 Takahashi 351/158

OTHER PUBLICATIONS

“Form Zeitschrift fur Gestaltang,” No. 204, p. 33 (2005). Japanese
PTO, Design Division Prior Art No. HB17011074.

* cited by examiner

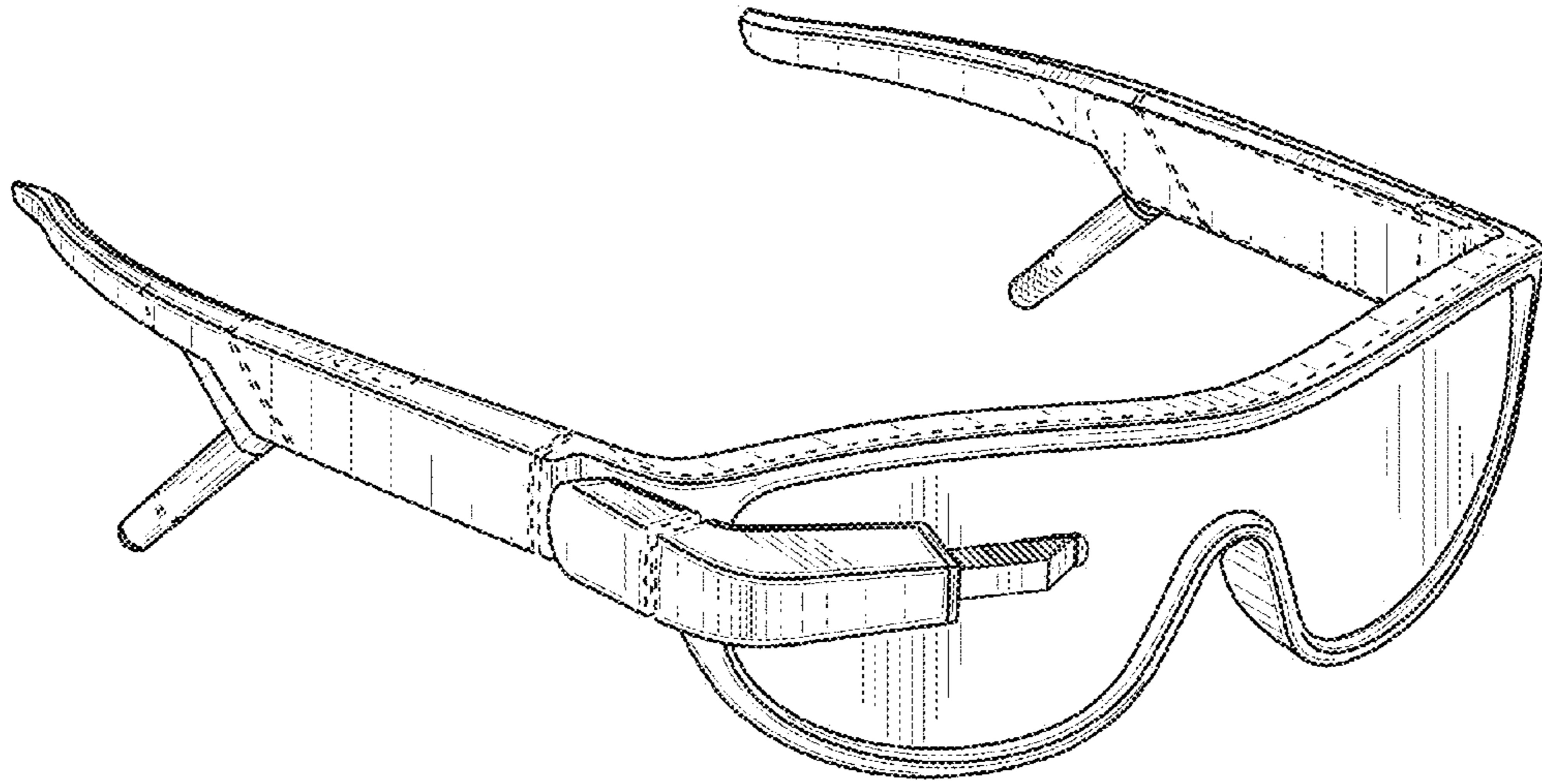


FIG. 1

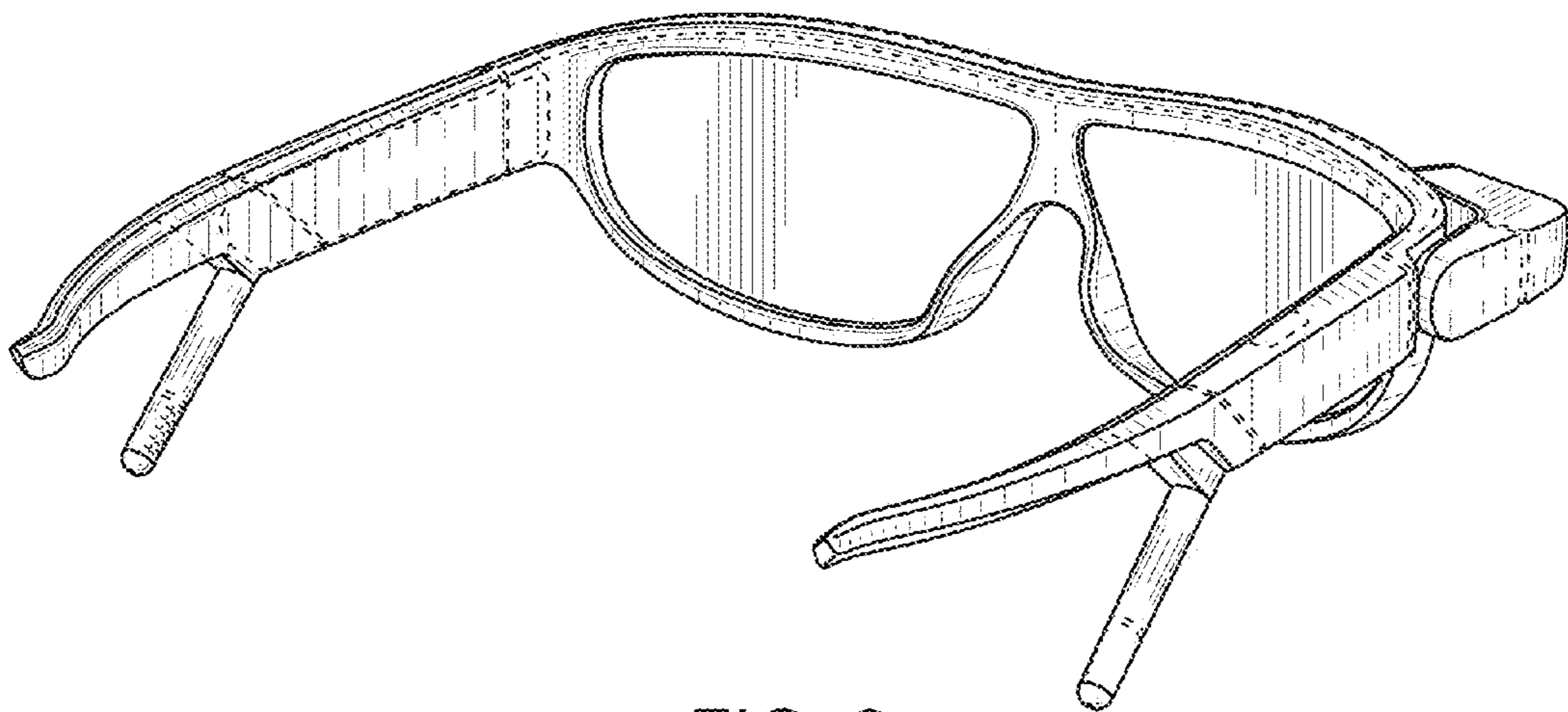


FIG. 2

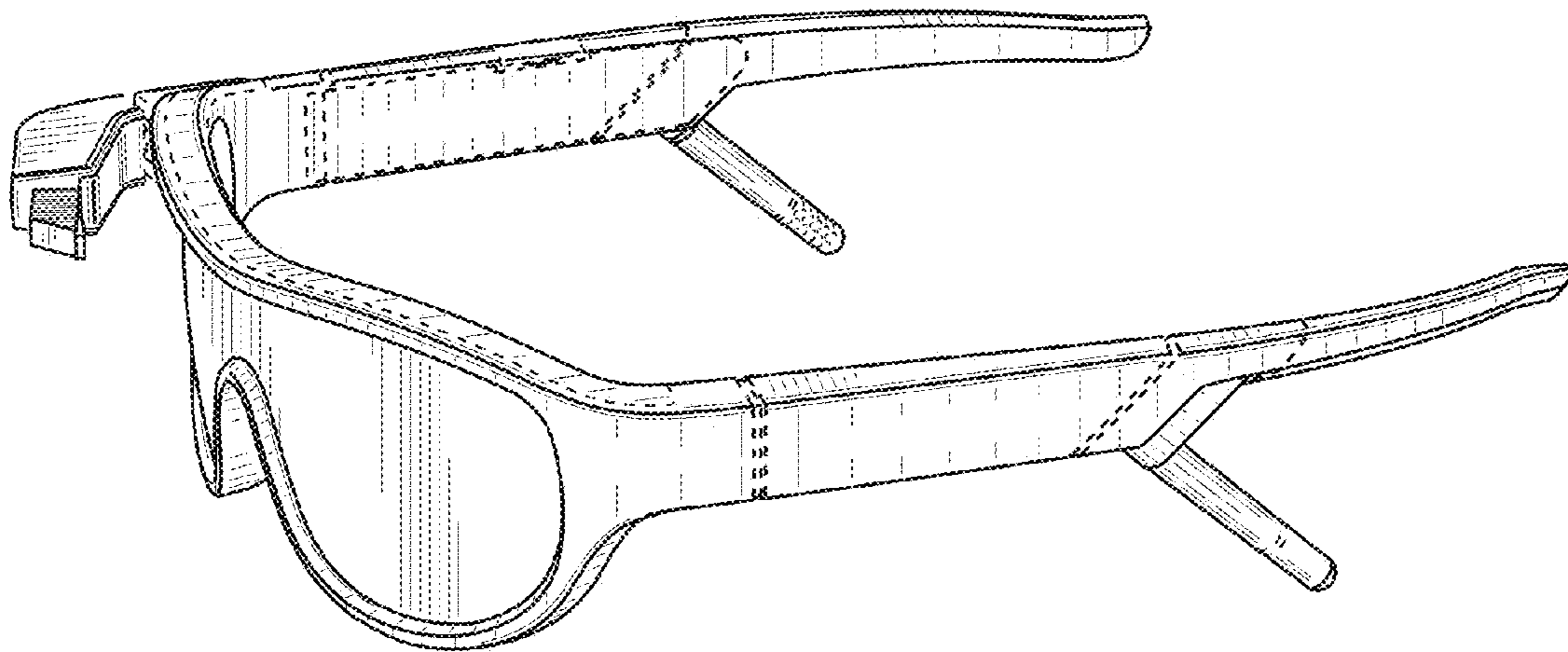


FIG. 3

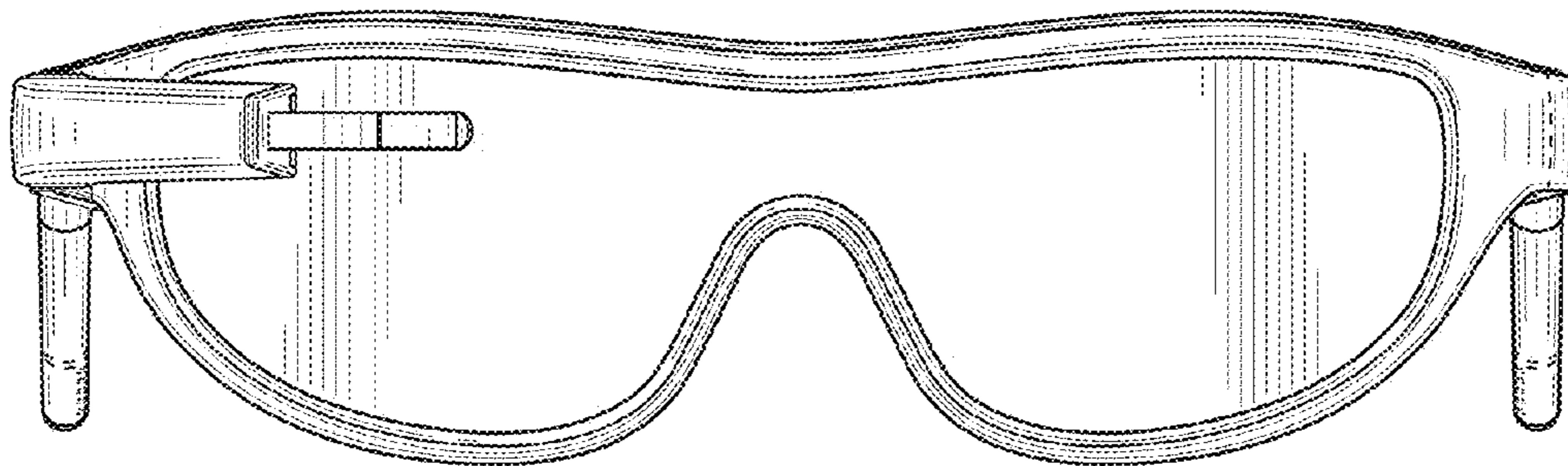


FIG. 4

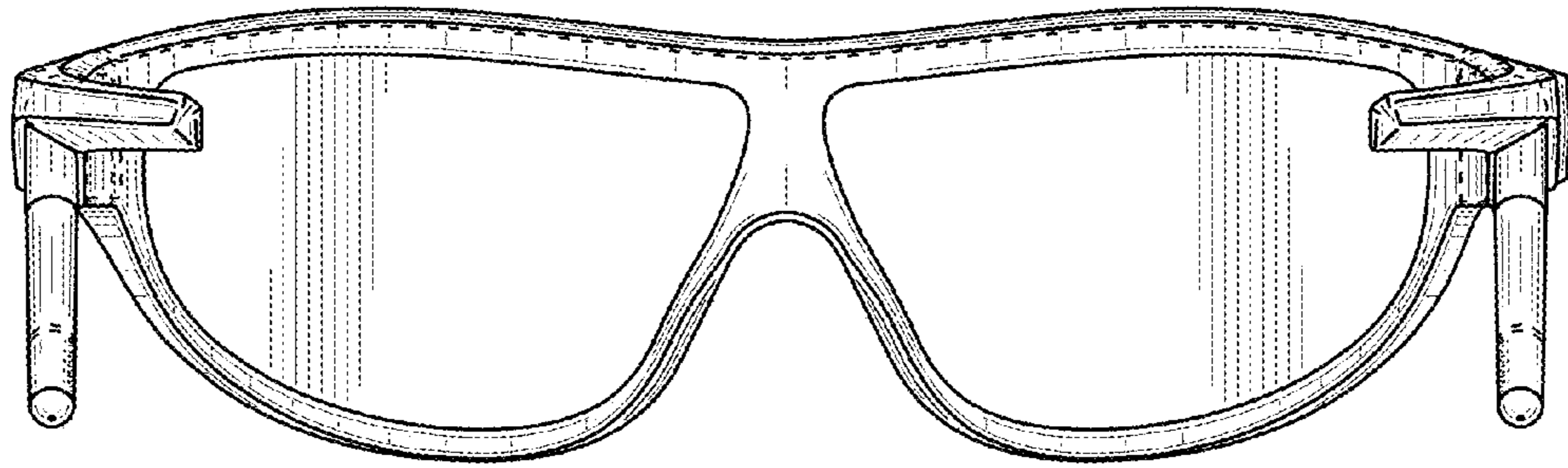


FIG. 5

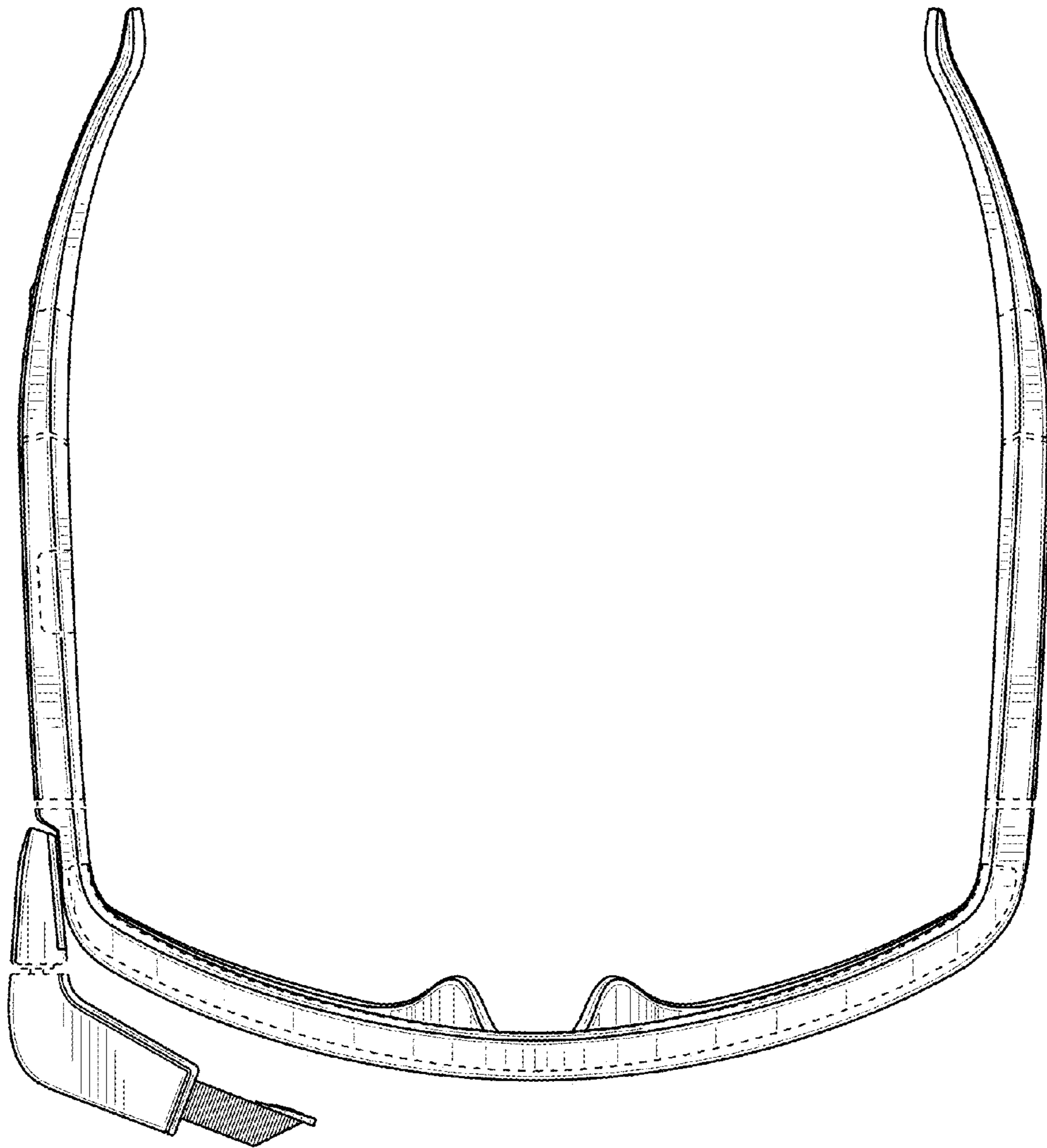


FIG. 6

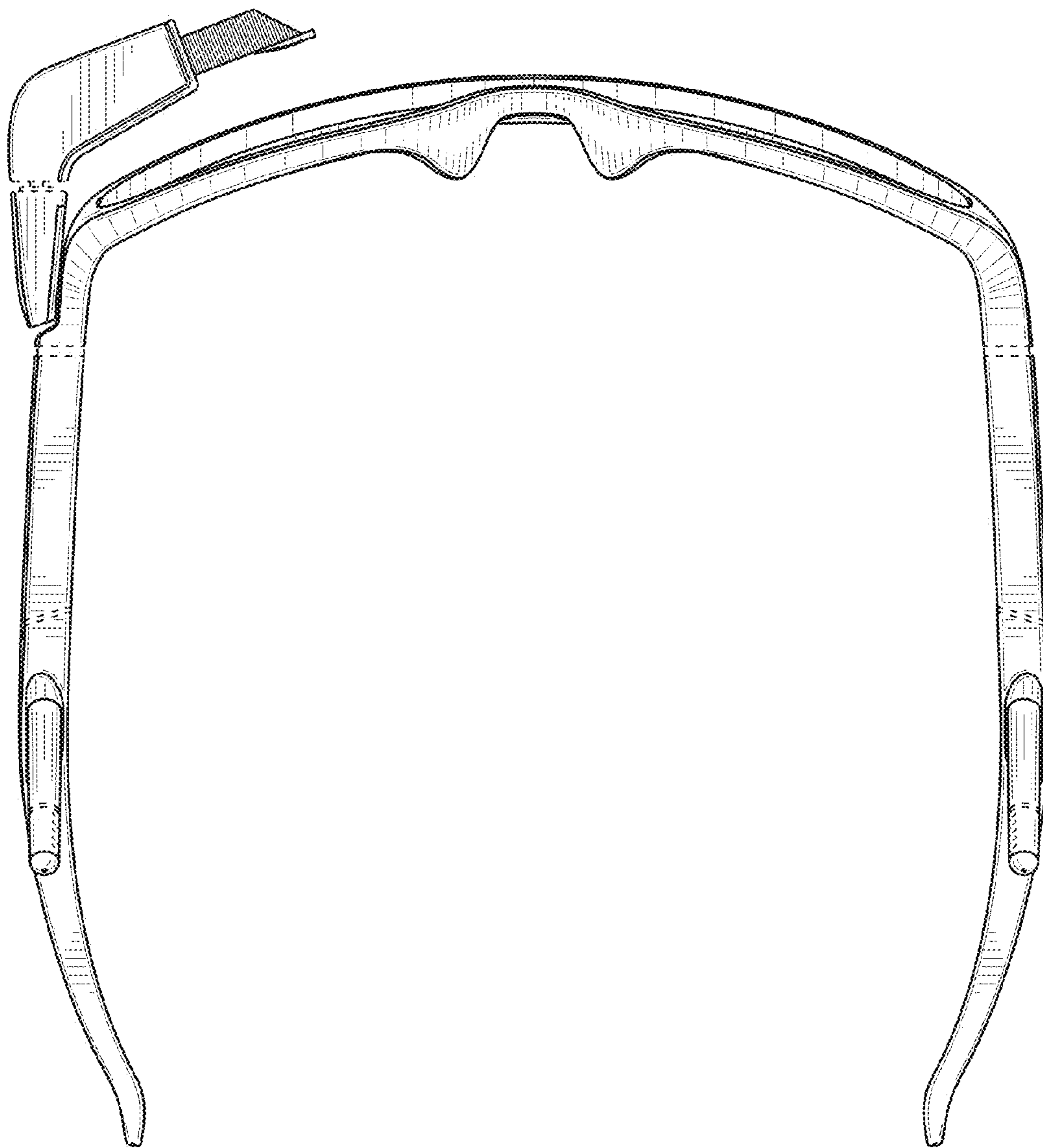


FIG. 7

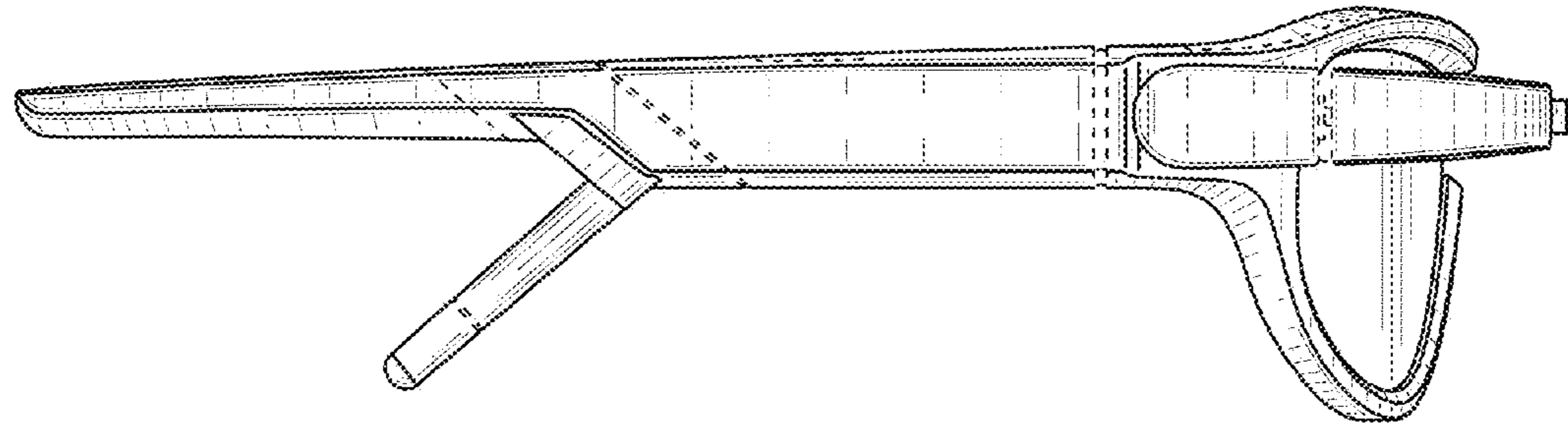


FIG. 8

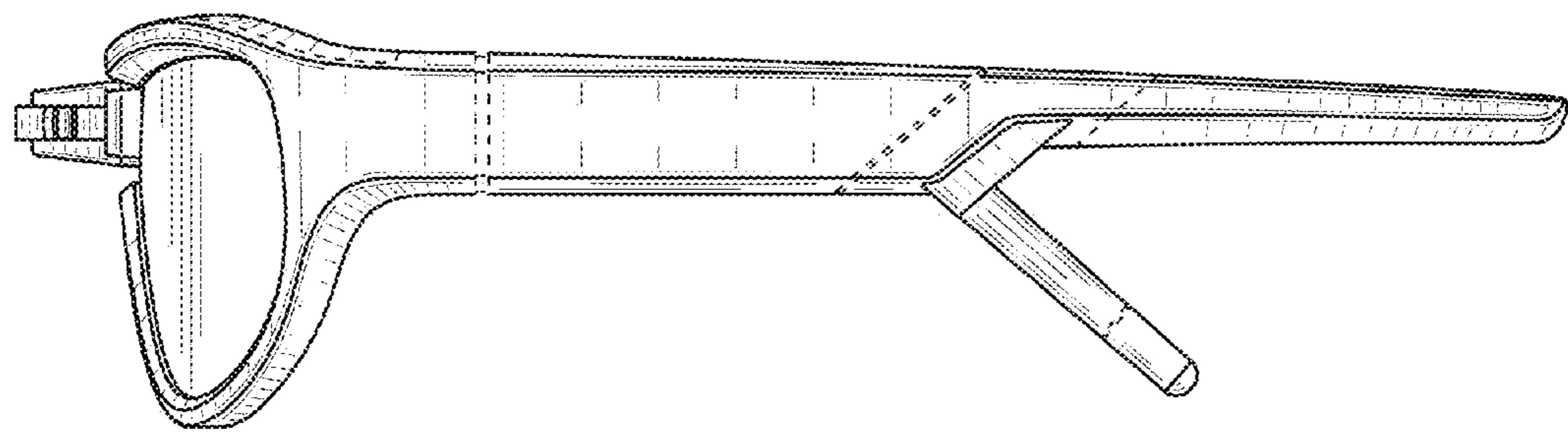


FIG. 9